

A - Line

Technical Data



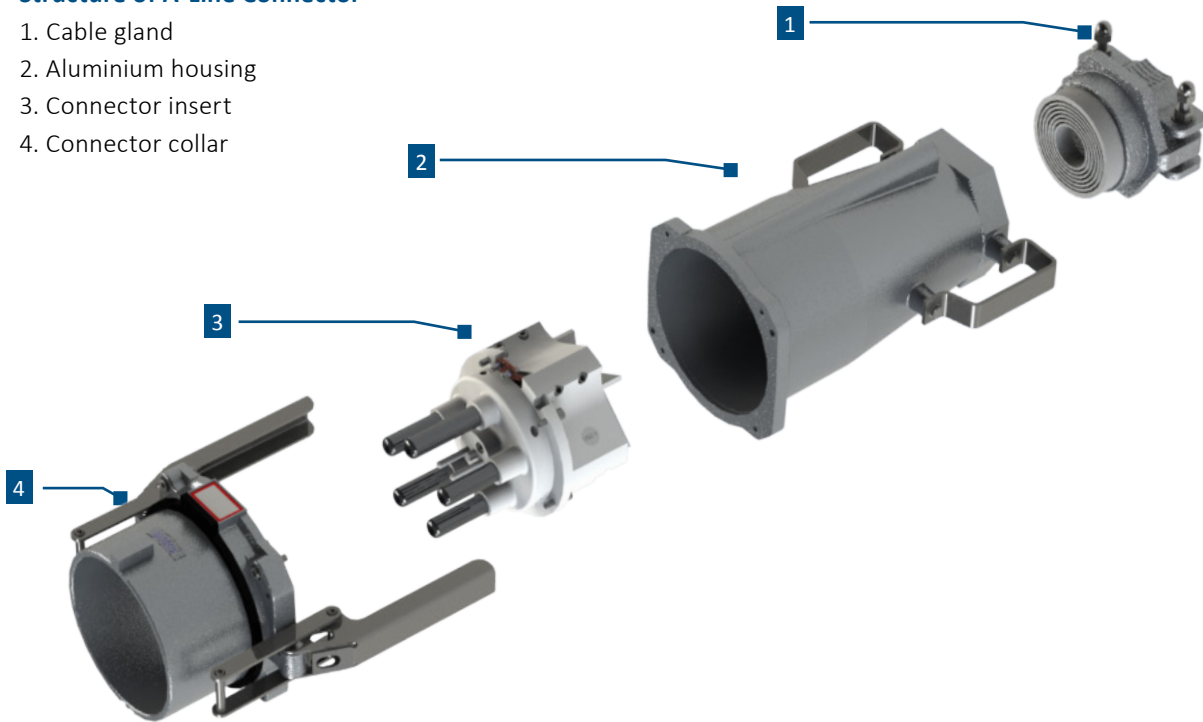
Technical Data	Unit	A - Line	
Nominal current	A	500	600
Rated current	A	500	600
Rated voltage	V	1'000	
Rated frequency	Hz	50 / 60	
Withstand voltage (1 Min / 50 Hz)	V	4'000	
Protection grade		IP 67	
Shock resistance		IK 10	
Ambient temperature	°C	-40 / +80	
Insulation resistance (Phase-phase and phase-earth)	MOhm	> 500	
Comparative tracking index of the insert	CTI	> 600	
Terminal cross-section (EN 60228 Class 5)	mm ²	120 - 300	
Max. cross section pilot cable, conductor (EN 60228 Class 5)	mm ²	4	
Diameter of cable	mm	34 - 66 until 85 on request	
Diameter of cable - separate pilot cable	mm	8 -15	

Technical modifications reserved

Structure

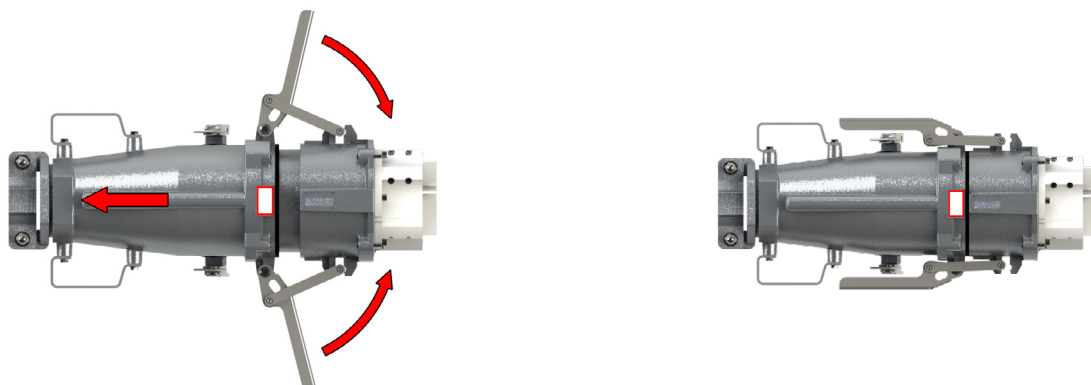
Structure of A-Line Connector

1. Cable gland
2. Aluminium housing
3. Connector insert
4. Connector collar



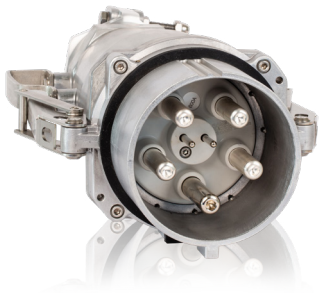
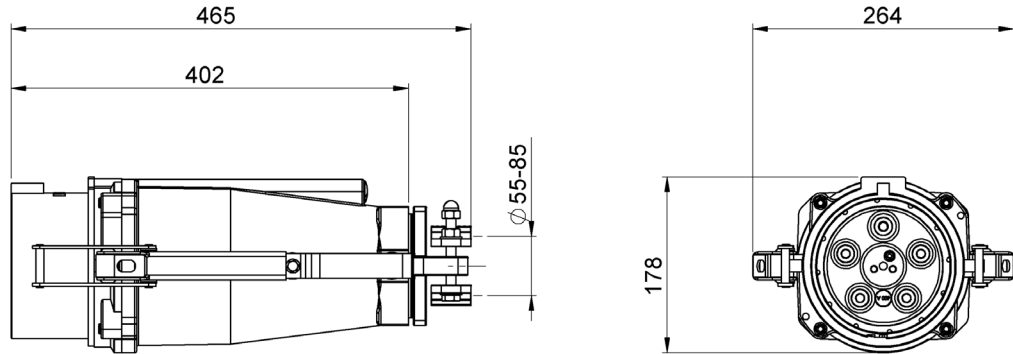
Locking system

Mechanically easy designed locking system, which reduces the force required during plugging and pulling.

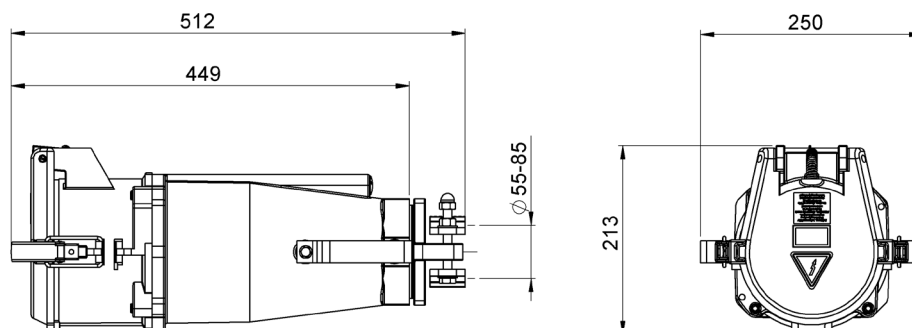


MC

Plug



Current	No. of Poles	Voltage	Type designation	Article No.
500 A	4 (3L+PEN)	230V	MC-S4/500 230V-9h	25200
		400V	MC-S4/500 400V-6h	25201
		500V	MC-S4/500 500V-7h	25202
		690V	MC-S4/500 690V-5h	25203
		1000V	MC-S4/500 1000V-1h	25204
	5 (3L+N+PE)	230V	MC-S5/500 230V-9h	25210
		400V	MC-S5/500 400V-6h	25211
		500V	MC-S5/500 500V-7h	25212
		690V	MC-S5/500 690V-5h	25213
		1000V	MC-S5/500 1000V-1h	25214
600 A	4 (3L+PEN)	230V	MC-S4/600 230V-9h	25280
		400V	MC-S4/600 400V-6h	25281
		500V	MC-S4/600 500V-7h	25282
		690V	MC-S4/600 690V-5h	25283
		1000V	MC-S4/600 1000V-1h	25284
	5 (3L+N+PE)	230V	MC-S5/600 230V-9h	25290
		400V	MC-S5/600 400V-6h	25291
		500V	MC-S5/600 500V-7h	25292
		690V	MC-S5/600 690V-5h	25293
		1000V	MC-S5/600 1000V-1h	25294

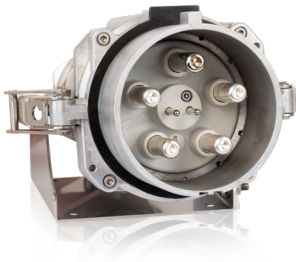
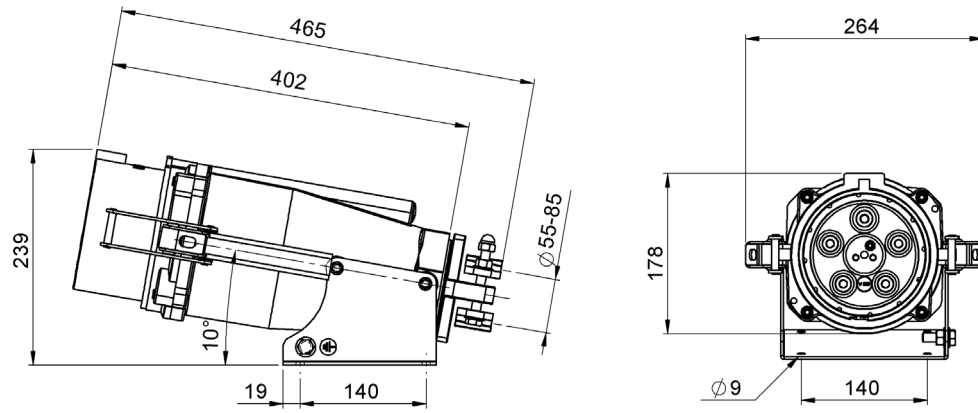


Current	No. of Poles	Voltage	Type designation	Article No.
500 A	4 (3L+PEN)	230V	FC-S4/500 230V-9h	25205
		400V	FC-S4/500 400V-6h	25206
		500V	FC-S4/500 500V-7h	25207
		690V	FC-S4/500 690V-5h	25208
		1000V	FC-S4/500 1000V-1h	25209
	5 (3L+N+PE)	230V	FC-S5/500 230V-9h	25215
		400V	FC-S5/500 400V-6h	25216
		500V	FC-S5/500 500V-7h	25217
		690V	FC-S5/500 690V-5h	25218
		1000V	FC-S5/500 1000V-1h	25219
600 A	4 (3L+PEN)	230V	FC-S4/600 230V-9h	25285
		400V	FC-S4/600 400V-6h	25286
		500V	FC-S4/600 500V-7h	25287
		690V	FC-S4/600 690V-5h	25288
		1000V	FC-S4/600 1000V-1h	25289
	5 (3L+N+PE)	230V	FC-S5/600 230V-9h	25295
		400V	FC-S5/600 400V-6h	25296
		500V	FC-S5/600 500V-7h	25297
		690V	FC-S5/600 690V-5h	25298
		1000V	FC-S5/600 1000V-1h	25299

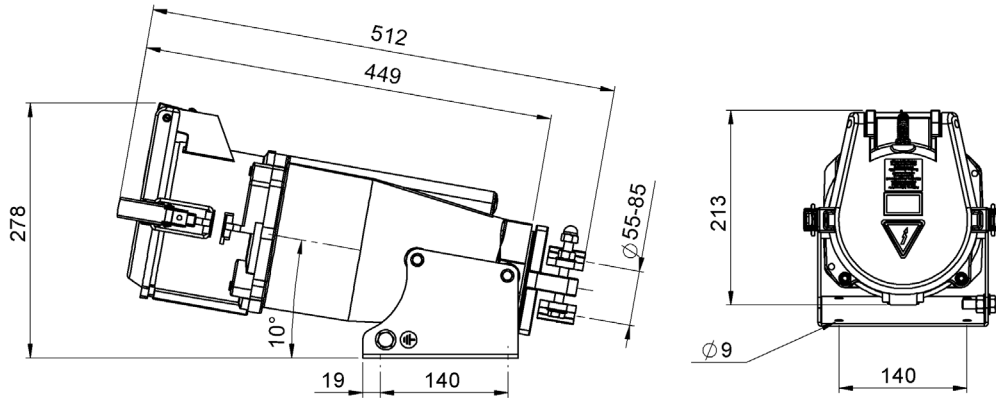


MCW

Wall Mounted Inlet



Current	No. of Poles	Voltage	Type designation	Article No.
500 A	4 (3L+PEN)	230V	MCW-S4/500 230V-9h	25220
		400V	MCW-S4/500 400V-6h	25221
		500V	MCW-S4/500 500V-7h	25222
		690V	MCW-S4/500 690V-5h	25223
		1000V	MCW-S4/500 1000V-1h	25224
	5 (3L+N+PE)	230V	MCW-S5/500 230V-9h	25230
		400V	MCW-S5/500 400V-6h	25231
		500V	MCW-S5/500 500V-7h	25232
		690V	MCW-S5/500 690V-5h	25233
		1000V	MCW-S5/500 1000V-1h	25234
600 A	4 (3L+PEN)	230V	MCW-S4/600 230V-9h	25300
		400V	MCW-S4/600 400V-6h	25301
		500V	MCW-S4/600 500V-7h	25302
		690V	MCW-S4/600 690V-5h	25303
		1000V	MCW-S4/600 1000V-1h	25304
	5 (3L+N+PE)	230V	MCW-S5/600 230V-9h	25310
		400V	MCW-S5/600 400V-6h	25311
		500V	MCW-S5/600 500V-7h	25312
		690V	MCW-S5/600 690V-5h	25313
		1000V	MCW-S5/600 1000V-1h	25314

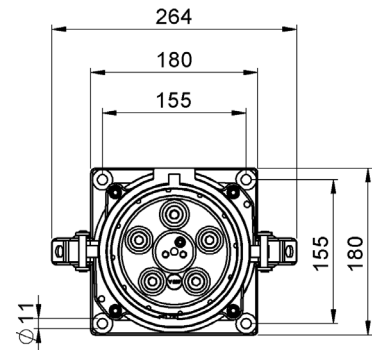
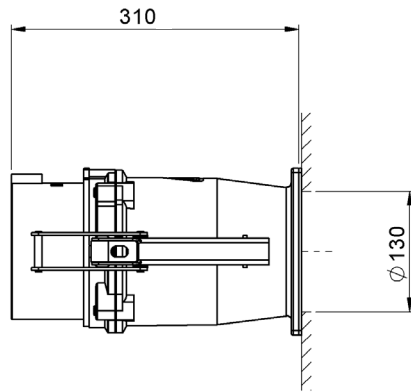


Current	No. of Poles	Voltage	Type designation	Article No.
500 A	4 (3L+PEN)	230V	FCW-S4/500 230V-9h	25225
		400V	FCW-S4/500 400V-6h	25226
		500V	FCW-S4/500 500V-7h	25227
		690V	FCW-S4/500 690V-5h	25228
		1000V	FCW-S4/500 1000V-1h	25229
	5 (3L+N+PE)	230V	FCW-S5/500 230V-9h	25235
		400V	FCW-S5/500 400V-6h	25236
		500V	FCW-S5/500 500V-7h	25237
		690V	FCW-S5/500 690V-5h	25238
		1000V	FCW-S5/500 1000V-1h	25239
600 A	4 (3L+PEN)	230V	FCW-S4/600 230V-9h	25305
		400V	FCW-S4/600 400V-6h	25306
		500V	FCW-S4/600 500V-7h	25307
		690V	FCW-S4/600 690V-5h	25308
		1000V	FCW-S4/600 1000V-1h	25309
	5 (3L+N+PE)	230V	FCW-S5/600 230V-9h	25315
		400V	FCW-S5/600 230V-9h	25316
		500V	FCW-S5/600 500V-7h	25317
		690V	FCW-S5/600 690V-5h	25318
		1000V	FCW-S5/600 1000V-1h	25319

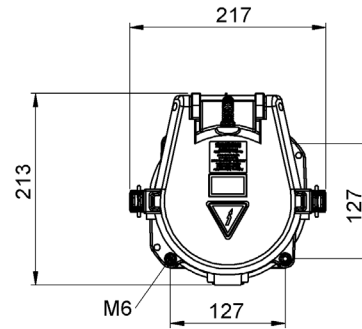
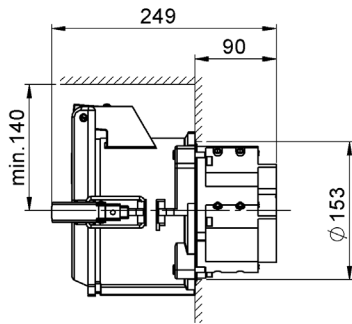


MCP

Panel Mounted Inlet



Current	No. of Poles	Voltage	Type designation	Article No.
500 A	4 (3L+PEN)	230V	MCP-S4/500 230V-9h	25240
		400V	MCP-S4/500 400V-6h	25241
		500V	MCP-S4/500 500V-7h	25242
		690V	MCP-S4/500 690V-5h	25243
		1000V	MCP-S4/500 1000V-1h	25244
	5 (3L+N+PE)	230V	MCP-S5/500 230V-9h	25250
		400V	MCP-S5/500 400V-6h	25251
		500V	MCP-S5/500 500V-7h	25252
		690V	MCP-S5/500 690V-5h	25253
		1000V	MCP-S5/500 1000V-1h	25254
600 A	4 (3L+PEN)	230V	MCP-S4/600 230V-9h	25320
		400V	MCP-S4/600 400V-6h	25321
		500V	MCP-S4/600 500V-7h	25322
		690V	MCP-S4/600 690V-5h	25323
		1000V	MCP-S4/600 1000V-1h	25324
	5 (3L+N+PE)	230V	MCP-S5/600 230V-9h	25330
		400V	MCP-S5/600 400V-6h	25331
		500V	MCP-S5/600 500V-7h	25332
		690V	MCP-S5/600 690V-5h	25333
		1000V	MCP-S5/600 1000V-1h	25334

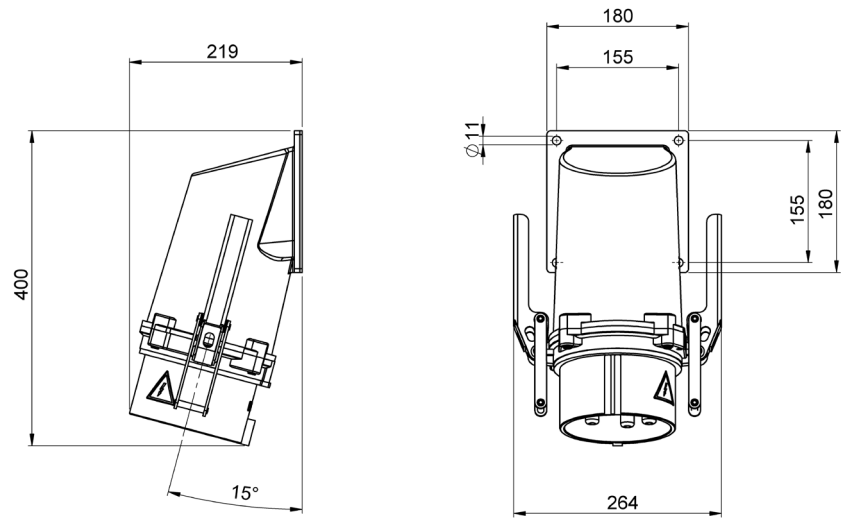


Current	No. of Poles	Voltage	Type designation	Article No.
500 A	4 (3L+PEN)	230V	FCP-S4/500 230V-9h	25245
		400V	FCP-S4/500 400V-6h	25246
		500V	FCP-S4/500 500V-7h	25247
		690V	FCP-S4/500 690V-5h	25248
		1000V	FCP-S4/500 1000V-1h	25249
	5 (3L+N+PE)	230V	FCP-S5/500 230V-9h	25255
		400V	FCP-S5/500 400V-6h	25256
		500V	FCP-S5/500 500V-7h	25257
		690V	FCP-S5/500 690V-5h	25258
		1000V	FCP-S5/500 1000V-1h	25259
600 A	4 (3L+PEN)	230V	FCP-S4/600 230V-9h	25325
		400V	FCP-S4/600 400V-6h	25326
		500V	FCP-S4/600 500V-7h	25327
		690V	FCP-S4/600 690V-5h	25328
		1000V	FCP-S4/600 1000V-1h	25329
	5 (3L+N+PE)	230V	FCP-S5/600 230V-9h	25335
		400V	FCP-S5/600 400V-6h	25336
		500V	FCP-S5/600 500V-7h	25337
		690V	FCP-S5/600 690V-5h	25338
		1000V	FCP-S5/600 1000V-1h	25339

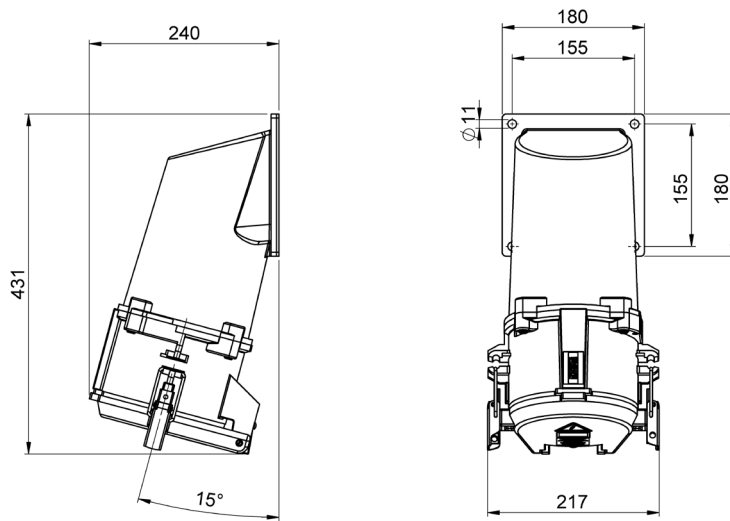


MCPA

Panel Mounted Inlet Angled



Current	No. of Poles	Voltage	Type designation	Article No.
500 A	4 (3L+PEN)	230V	MCPA-S4/500 230V-9h	25260
		400V	MCPA-S4/500 400V-6h	25261
		500V	MCPA-S4/500 500V-7h	25262
		690V	MCPA-S4/500 690V-5h	25263
		1000V	MCPA-S4/500 1000V-1h	25264
	5 (3L+N+PE)	230V	MCPA-S5/500 230V-9h	25270
		400V	MCPA-S5/500 400V-6h	25271
		500V	MCPA-S5/500 500V-7h	25272
		690V	MCPA-S5/500 690V-5h	25273
		1000V	MCPA-S5/500 1000V-1h	25274
600 A	4 (3L+PEN)	230V	MCPA-S4/600 230V-9h	25340
		400V	MCPA-S4/600 400V-6h	25341
		500V	MCPA-S4/600 500V-7h	25342
		690V	MCPA-S4/600 690V-5h	25343
		1000V	MCPA-S4/600 1000V-1h	25344
	5 (3L+N+PE)	230V	MCPA-S5/600 230V-9h	25350
		400V	MCPA-S5/600 400V-6h	25351
		500V	MCPA-S5/600 500V-7h	25352
		690V	MCPA-S5/600 690V-5h	25353
		1000V	MCPA-S5/600 1000V-1h	25354



Current	No. of Poles	Voltage	Type designation	Article No.
500 A	4 (3L+PEN)	230V	FCPA-S4/500 230V-9h	25265
		400V	FCPA-S4/500 400V-6h	25266
		500V	FCPA-S4/500 500V-7h	25267
		690V	FCPA-S4/500 690V-5h	25268
		1000V	FCPA-S4/500 1000V-1h	25269
	5 (3L+N+PE)	230V	FCPA-S5/500 230V-9h	25275
		400V	FCPA-S5/500 400V-6h	25276
		500V	FCPA-S5/500 500V-7h	25277
		690V	FCPA-S5/500 690V-5h	25278
		1000V	FCPA-S5/500 1000V-1h	25279
600 A	4 (3L+PEN)	230V	FCPA-S4/600 230V-9h	25345
		400V	FCPA-S4/600 400V-6h	25346
		500V	FCPA-S4/600 500V-7h	25347
		690V	FCPA-S4/600 690V-5h	25348
		1000V	FCPA-S4/600 1000V-1h	25349
	5 (3L+N+PE)	230V	FCPA-S5/600 230V-9h	25355
		400V	FCPA-S5/600 400V-6h	25356
		500V	FCPA-S5/600 500V-7h	25357
		690V	FCPA-S5/600 690V-5h	25358
		1000V	FCPA-S5/600 1000V-1h	25359



Options

Enhancements for every application



Seawater resistant connector

For port applications, an option often requested by the customer. The seawater-resistant design prevents oxidation on the housing.

Seawater resistant connectors upon request.



Vibration resistant connectors

On request there are vibration resistant connectors available. This option is frequently asked for railway applications.



Accessories:

- Cover cap (article No.: 12123)
- Padlock (article Nor: 14349)

General information

Special features for A-Line connectors

Some product features listed in the catalog apply only to the A-Line connectors.

This includes:

- Exchangeable contacts
- Resistant housing up to 2 tons load

Weight and packaging-information

Article		Weight (kg)	Packaging Bulk outside (mm)
Plug MC	4-pole	8	462 x 240 x 242
	5-pole	9	462 x 240 x 242
Panel Mounted Inlet MCP	4-pole	9	275 x 230 x 350
	5-pole	9	275 x 230 x 350
Panel Mounted Inlet Angled MCPA	4-pole	10	462 x 240 x 242
	5-pole	11	462 x 240 x 242
Wall Mounted Inlet MCW	4-pole	10	462 x 240 x 242
	5-pole	11	462 x 240 x 242
Coupling FC	4-pole	10	462 x 240 x 242
	5-pole	10	462 x 240 x 242
Panel Mounted Receptacle FCP	4-pole	7	275 x 230 x 350
	5-pole	8	275 x 230 x 350
Panel Mounted Receptacle Angled FCPA	4-pole	11	462 x 240 x 242
	5-pole	11	462 x 240 x 242
Wall Mounted Receptacle FCW	4-pole	12	462 x 240 x 242
	5-pole	12	462 x 240 x 242