



#### Low Voltage Switches

Enclosed switches and fusegear  
Enclosed switch-disconnectors,  
change-over switches and switch fuses



# Enclosed switch-disconnectors, change-over switches and switch fuses

## Contents

4	Product overview, features
8	Technical data
12	Enclosed switch-disconnectors, ordering information
12	Plastic enclosed, IP65
12	Side and front operated / 2-, 3-, 4- and 6-pole
18	Red-yellow / Side and front operated / 3-, 4- and 6-pole
22	Red-yellow / DC solar switches / 2-pole
23	Steel sheet enclosed
23	Front operated, IP65 / 3-, 4- and 6-pole
28	Front operated, IP54 / 3- and 4-pole
30	Red-yellow / Front operated, IP65 / 3-, 4- and 6-pole
32	Stainless steel sheet enclosed, IP65
32	Front operated / 3-, 4- and 6-pole
34	Red-yellow / Front operated / 3-, 4- and 6-pole
36	Aluminum enclosed, IP65
36	Side and front operated / 2-, 3- and 4-pole
39	Fireman's switch / 2-, 3- and 4-pole
40	Enclosed change-over switches, ordering information
40	Steel sheet enclosed, IP54
40	Front operated / 3- and 4-pole
41	Enclosed switch fuses, ordering information
41	Plastic enclosed, IP65
41	BS and DIN-type / 3- and 4-pole
43	Steel sheet enclosed, IP54, IP65
43	BS and DIN-type / 2-, 3- and 4-pole
48	Accessories, selection overview
50	Accessories, ordering information
58	Dimension drawings
67	Auxiliary contacts / enclosed switches
71	Index

# Enclosed switches from 16 to 1600 Amperes

Enclosed switch-disconnectors from 16 to 1600 Amperes

Enclosed change-over switches from 16 to 800 Amperes

Enclosed switch fuses from 20 to 800 Amperes

## Plastic

IP65

Black / red-yellow handle types



		Side operated			Front operated	
		BW_16..._25	BW_40	BW625...640	OTP16	OTP16...32
<b>Switch-disconnectors</b>						
Rated operational current, AC22A, up to 690V	2-pole	[A]	25*	40*	-	-
	3-pole	[A]	16* 25*	40*	16	25 40
	4-pole	[A]	25*	40*	-	16 25 40
	6-pole	[A]	-	-	25* 40*	16 25 40
<b>Switch fuses, BS / DIN -types</b>						
Rated operational current, AC22A, up to 690V	3-pole, BS type	[A]				
	4-pole, BS type	[A]				
	3-, 4-pole, DIN type	[A]				

\* 500V

## Steel sheet

IP65, IP54

Black / red-yellow handle types



		Front operated					
		OT16...63				OT125	OTL16...63
<b>Switch-disconnectors</b>							
Rated operational current, AC22A, up to 690V	3-, 4-pole	[A]	16 25 40 63 80		125	16 25 40 63 80	
	6-pole	[A]	-	16 25 40 63 80		16 25 40	
<b>Change-over switches</b>							
Rated operational current, AC22A, up to 690V	3-pole	[A]		16 25 32 45 63			
	4-pole	[A]		-			
<b>Switch fuses, BS / DIN -types</b>							
Rated operational current, AC22A, up to 690V	2-pole, BS type	[A]	-	-			
	3-, 4-pole, BS type	[A]	20 32	20 32			
	3-, 4-pole, DIN type	[A]	-	-			

\* 500V

## Aluminum

IP65

Black / red handle types



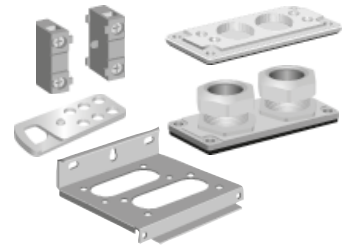
		Side operated		Front operated	
		KSE_25	KSE_40	KSE_63..._125	
<b>Switch-disconnectors</b>					
Rated operational current, AC22A, up to 500V	2-pole	[A]	25	40	-
	3-pole	[A]	25	40	63 80 125
	4-pole	[A]	25	40	63 80

### Accessories

Cable glands and entries

Auxiliary contacts

Padlock shackle



#### OTP45...63

#### OTP125

#### OT160...800

#### DC Solar switches

#### OTP16\_MS

#### OTP16...32\_MS

-	-	-	DC21A: 16	DC21A: 16	32
63 80	125	160 200 250 315 400 570 720	-	-	-
63 80	125	160 200 250 315 400 570 720	-	-	-
45 63	125	160 200 250 315 400 570 720	-	-	-

#### OS32...400

#### OS32...400

20 32	32* 63* 135* 200 315 400
20 32	32* 63* 100* 200
-	32* 63* 125* 135* 250 400



## Stainless steel sheet

IP65  
Black / red-yellow  
handle types



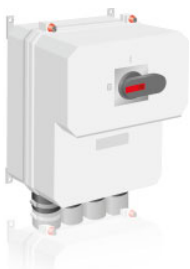
#### OTL100...125

#### OT160...800

#### OTR16...63

#### OTR100...125

100 125	125 160 200 250 315 400 570 720 1000 1250 1600	16 25 40 63 80	100 125
63 80	125 160 200 250 315 400 570 720	16 25 40	63 80
	160 200 250 315 400 570 720		
	160 200 250 315 400 570 720		
	32* 63* 125* 135* 200 315 400 600 720 720		
	20* 32* 63* 125* 135* 200 315 400		
	32* 63* 125* 135* 250 400 600 720		



#### Fireman's switch

#### KSE3160...3630

#### KSF\_25

#### KSF\_40

-	25	-
160 250 315 500 630	25	40
-	25	40

# Complete range for various applications From 16 to 1600 Amperes, 690 V



Enclosed switches are designed and used as main switches for applications, which need to be isolated from the network. The range includes front operated and side operated switch disconnectors, switch fuses and change-over switches enclosed in plastic, steel sheet or stainless

steel sheet and aluminum enclosures. They are rated for utilization categories including disconnecting as well as making and breaking the load. In addition the switch fuses equipped with fuse links protects the application and the cables from overload currents and short circuits.

## Plastic enclosures

The plastic enclosures are most suitable for locations with high chemical and moisture requirements. In addition they are light and easy to install and handle.

## Steel sheet enclosures

The steel sheet enclosures are hot dip galvanized and the surface is polyester powder painted. The enclosures are durable and robust for various environments.

## Stainless steel sheet enclosures

The stainless steel sheet enclosures are made of AISI 304 stainless steel. They are used particularly in the food and beverage industry and in locations where high hygiene is required. The smooth surface does not require any painting and is easy to clean.

## Aluminum alloy enclosures

Aluminum enclosures have very good impact strength and protection against UV light. They are suitable both for indoor and outdoor use in medium to heavy-duty applications.

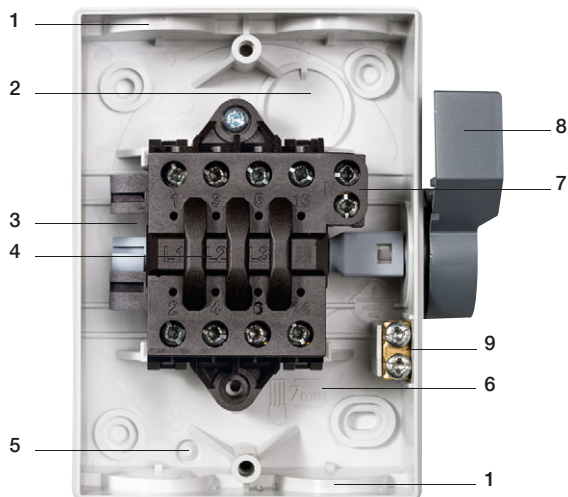
## Safety for personnel – reliable position indication

- Padlocking in the OFF-position with one, three or six (with the shackle L6) padlocks against unintentional start-up. The handle cannot be padlocked in the OFF-position if one of the contacts is not in the OFF position.
- The cover cannot be removed if the handle is padlocked.
- Door interlock in the ON-position.
- Short circuit durability function: Expander washers in aluminium enclosures with  $I_e > 160$  A and door locking release in large metal sheet enclosures.
- Door interlock defeatable with rectangular and pistol type handles.

# Plastic enclosed switch-disconnectors

## Side operated, type BW

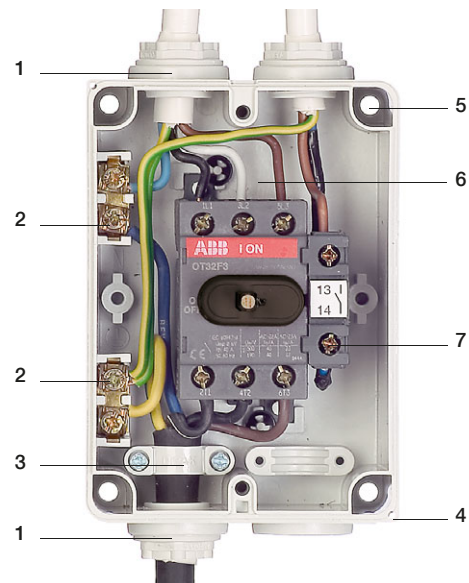
- Degree of protection: IP 65, IEC 60529
- Degree of protection without cover: IP 20
- Enclosure in PBT (Thermoplastic polyester) plastic, high impact strength and chemical resistant
- Flame class UL94 5VA, Glow wire 850° (IEC 60695-2-12)
- Resistance against UV-radiation: F 1, UL 746C
- Standard IEC 60947-3 for Switch-disconnectors
- European Standard EN60204 Safety of machinery
- Cable outlets M sized threaded knock-outs
- 2-, 3-, 4- and 6-pole versions
- Light grey/dark grey enclosure with grey handle
- Yellow enclosure have red handle
- Handle indication I-0/ON-OFF
- Suitable for 3-, 4- and 5-wire systems



1 Metric threaded knockouts, IP 54 cable glands sealing plugs included | 2 Knockout in the back of the box | 3 Space for auxiliary contacts, (N.O./N.C.) | 4 Handle, axis and switch insert is one system factory assembled. Switch insert UL94 V0 and glow wire 960° (IEC 60965-2-12) | 5 Knockout for ventilation / Water drain holes | 6 Cable strip length | 7 Isolated neutral terminal with separate in/out connection | 8 Handle padlockable in "O" position as standard. Knockout for padlock in "I" position. Shackle for 6 padlocks | 9 PE-terminal

## Front operated, type OTP

- Degree of protection: IP 65, IEC 60529
- Degree of protection without cover: IP 20, IEC 60529
- Self-extinguishing plastic: UL94 V0
- Resistance against UV-radiation: F 1, UL 746C
- Standard IEC 60947-3 for Switch-disconnectors
- European Standard EN60204 Safety of machinery
- Cable outlets M or Pg sized threaded knock-outs
- Also blank gland plates available
- 3-, 4- and 6-pole versions
- Black or red-yellow handle
- Handle indication I-0/ON-OFF
- Suitable for 4- and 5-wire systems



1 Knock-out openings for M or Pg threads on the top and bottom, separate threaded knock-out opening for control wires in enclosure sizes width 130 mm and larger | 2 Terminals for 5-wire system: three phases + N + PE terminals | 3 Pull stoppers for two cables in 16 A enclosed switches | 4 Provision for sealing of the lid | 5 Enclosure mounting screws isolated from the inside housing | 6 Knock-out opening on the base for incoming cables | 7 Space for auxiliary contacts, (N.O./N.C.) (to be ordered separately)



# Technical data

## Enclosed switch-disconnectors

### Enclosed switch-disconnectors, types OTP, OT, OTL and OTR, enclosed change-over switches, types

Technical data according to IEC60529 and IEC 60947-3

Type/size			OT_ 16	OT_ 25	OT_ 32	OT_ 45*	OT_ 63*	OT_ 100	OT_ 125_
Rated insulation voltage	V		750	750	750	750	750	750	750
Rated thermal current and rated operational current AC20/DC20	40°C	A	25	32	40	63	80	115	125
Rated operational current, AC-21A and AC-22A	60°C	A	20	25	32	50	63	80	100
	400V	A	16	25	40	63	80	100	125
	up to 500V	A	16	25	40	63	80	100	125
	690V	A	16	25	40	63	80	100	125
Rated operational current, AC-23A	up to 415V	A	16	20	23	45	63	80	90
	440V	A	16	20	23	45	63	65	78
	500V	A	16	20	23	45	58	60	70
	690V	A	10	11	12	20	20	40	50
Rated conditional short-circuit current r.m.s and corresponding cut-off current of the fuse in single-phase test according to IEC60269	50kA, 415V	kA	6.5	6.5	6.5	13	13	16.5	18
	Fuse size: gG/aM	A	40/32	40/32	40/32	100/80	100/80	125/125	125/100
	50kA, 690V	kA	4	4	4	11	11	10	12
	Fuse size: gG/aM	A	25/16	25/16	25/16	80/63	80/63	63/63	125/100
Cu-wire size suitable for terminal		mm <sup>2</sup>	0.75-10	0.75-10	0.75-10**	1.5-25**	1.5-25**	10-70	10-70
Terminal bolt size									
Used switch type			OT16_	OT25_	OT32_	OT45_	OT63_	OT100_	OT125F_

\* Lower ratings on plastic 6-pole versions. See ordering information.

\*\* Please note the maximum diameter of the cable is limited by the cable outlets. See the extension adapters in ordering information of accessories.

\*\*\* Change-over switches, types OT160ELAA3C/\_4C

### Enclosed switch-disconnectors, types BW, KSE and KSF

Technical data according to IEC60529 and IEC 60947-3

Type/size			BW KSE KSF _16	BW KSE KSF _25	BW KSE KSF 240	BW KSE KSF _40
Rated insulation voltage	V		690	690	690	690
Rated thermal current and rated operational current AC20/DC20	40°C	A	16	25	40	40
Rated operational current, AC-21A and AC-22A	60°C	A				
	400V	A	16	25	40	40
	500V	A	16	25	40	40
	690V	A	16	16	32	32
Rated operational current, AC-23A	400V	A	16	16	32	25
	440V	A	16	16	25	25
	500V	A	10	16	25	25
	690V	A	10	10	16	16
Rated conditional short-circuit current r.m.s and corresponding cut-off current of the fuse in single-phase test according to IEC60269	25kA, 500V	kA	4.8	4.8	4.8	4.8
	50kA, 415V	kA				
	Fuse size: gG/aM	A	50/50	50/50	50/50	50/50
	50kA, 690V	kA				
	Fuse size: gG/aM	A				
Cu-wire size suitable for terminal		mm <sup>2</sup>	1.5-4	1.5-4		2.5-10
Terminal bolt size						



OT	OT	OT_C***	OT	OT	OT	OT	OT	OT	OT	OT	OT	OT
125A	160	160	200	250	315	400	630	800	1000	1250	1600	
750	750	1000	1000	1000	1000	1000	1000	1000	690	690	690	
135	160	160	200	250	315	400	570	720	1000	1250	1600	
125	125	160	200	250	315	320	460	580	900	1000	1250	
125	160	160	200	250	315	400	570	720	1000	1250	1600	
125	160	160	200	250	315	400	570	720	1000	1250	1600	
125	160	160	200	250	315	400	570	720	1000	1250	1600	
105	135	160	200	250	315	400	570	720	1000	1250	1250	
90	125	160	200	250	315	400	570	720	1000	1250	1250	
70	125	160	200	250	315	400	570	720	1000	1250	1250	
50	80	160	200	250	315	400	570	720	1000	1250	1250	
24	24	35	35	35	50.5	50.5	71.5	71.5	105	105	105	
200/250	200/250	355/315	355/315	335/315	500/500	500/500	800/1000	800/1000				
24	24	35	35	35	50.5	50.5	71.5	71.5	105	105	105	
200/250	200/250	355/315	355/315	355/315	500/500	500/500	800/1000	800/1000				
10-70	10-70											
		M8x25	M8x25	M8x25	M10/30	M10/30	M12/40	M12/40	M12/60	M12/60	M12/60	
OT125A_	OT160_	OT160_C	OT200_	OT250_	OT315_	OT400_	OT630_	OT800_	OT1000_	OT1250_	OT1600_	

KSE	KSE	KSE	KSE	KSE	KSE	KSE	KSE	KSE	KSE
_63	_80	_125	_160	_250	_315	_500	_630		
750	750	750	690	1000	1000	1000	1000		
63	80	125	160	270	315	500	630		
50	63	100							
63	80	125	160	250	315	500	630		
63	80	125	160	250	315	500	630		
63	80	125	160	250	315	500	630		
63	75	90	125	250	315	500	630		
63	65	78	125	250	315	500	580		
45	58	70	90	250	315	500	580		
20	20	50	70	250	315	350	350		
		18	24	35	50.5	50.5	71.5		
		125/100	200/250	335/315	500/500	500/500	800/1000		
		12	24	35	50.5	50.5	71.5		
		125/100	200/250	355/315	500/500	500/500	800/1000		
1.5-35	1.5-35	10-70	10-70						
				M8x25	M10/30	M10/30	M12/40		

# Technical data

## Enclosed switch-disconnectors (DC) and switch fuses

### Enclosed switch-disconnectors, type OTP, DC rated switches

Technical data according to IEC 60947

Type/size		A	OTP16	OTP32
Rated insulation voltage	Pollution degree 2	V	800	800
	Pollution degree 3	V	750	750
Dielectric strength	50 Hz 1min.	kV	6	6
Rated impulse withstand voltage		kV	8	8
Rated thermal current and rated operational current				
DC-20	In enclosure 40°C	A	25	32
	In enclosure 60°C	A	20	32
Rated operational current / poles in series	220 V	A	16/3	32/3
	550 V	A	16/6	32/6
	750 V	A	16/8	32/8
	800 V	A	16/8 <sup>1)</sup>	
Rated short-time withstand current, 690 V, 1 s	R.M.S. -value /cw	kA	0.5	0.5
Power loss / pole	At rated current	W	0.3	0.6
Mechanical endurance	Divide by two for operation cycles	Operations	20 000	20 000

<sup>1)</sup> Category B, Pollution Degree 2

### Enclosed switch fuses, type OS

Technical data according to IEC 60529 and IEC 60947-3

Type/size			20	32	32	63
Rated insulation voltage	V		1000	1000	750	750
Rated impulse withstand voltage	U <sub>imp</sub> kV		12	12	12	12
Rated thermal current in ambient	40°C	A	20	32	32	63
	60°C	A	16	25	25	50
Rated operational current, AC-22A	up to 500V	A	20	32	32	63
	690V	A	20	32	-	63 <sup>1)</sup>
Rated operational current, AC-23A	up to 500V	A	20	32	32	63
	690V	A	20	32	-	40 <sup>1)</sup>
Rated conditional short-circuit current r.m.s and corresponding max. allowed cut-off current, peak-values <sup>2)</sup>	80 kA, 415V	kA	9	9	10	12
	100kA, 500V	kA	7.5	7.5	6	9
	50kA, 690V	kA	6	6	-	8
Fuse types, IEC 269-2	DIN 43620		-	-	00	00
	BS 88		A1	A1	A2-A3	A2-A3
Max. fuse power dissipation	W		3	3.5	7.5	7.5
Used switch fuse size/type OS, OESA	DIN-type:		-	-	-00 -32_	-00 -63_
	BS-type:		-20P_	-32P_	-32G_	-63G_
Cu-wire size suitable for terminal	mm <sup>2</sup>		0.5...10	0.5...10	2.5...20	2.5...20
Terminal bolt size						

<sup>1)</sup> Utilisation category B

<sup>2)</sup> The cut-off currents refer to single phase fuse tests

125	160	200	250	315	400	630	800
750	750	1000	1000	1000	1000	1000	1000
12	12	12	12	12	12	12	12
125	135	200	250	315	400	600	720
100	108	160	200	250	320	480	570
125	135	200	250	315	400	600	720
125 <sup>1)</sup>	135 <sup>1)</sup>	200	250	315	400	600	720
100	100	200	250	315	400	600	720
50 <sup>1)</sup>	50 <sup>1)</sup>	200	250	315	400	600	720
23	23	35	40.5	44	59	75	75
17	17	37.5	37.5		63.5	75	75
14	14	21	28	41	39	60	60
00	00	-	0-1	-	0-2	3	3
A2-A4	B1-B2	B1-B2	-	B1-B3	B1-B4	C1-C2	C1-C3
12	9	22	23	32	34	45	55
-00_	-00 -160_	-	-250D_	-	-400D_	-630D_	-800D_
-100G_	-160B_	-200B_	-	-315B_	-400B_	-630B_	-800B_
M8x25	M8x25	M8x25	M10x30	M10x30	M10x30	M12x40	M12x40

# Ordering information

## Plastic enclosed switch-disconnectors

**BW225 DP**  
2CMC341011F0054



**BW240 DP**  
2CMC341011F0056



**BW225W/DP**  
2CMC341011F0062



### 2-pole side operated switch-disconnectors

#### Plastic enclosed, IP65

Enclosure in robust PBT plastic with metric threaded cable entries. Light grey box with dark grey cover and operating handle. Delivery includes PE terminal and membrane glands (IP54) / sealing plugs. For IP65 degree of protection compression glands must be used.

Rated operational current [A]			Cable sizes Up/Down	Enclosure size [mm]			Type	Order number	Weight [kg]
AC22A 230V	AC23A 400V	AC23A 400V		W	H	D			
25	25	16	2xM25/2xM25	111	130	60	BW225 DP	2CMA142400R1000	0.29
25	25	16	2xM25/2xM25	111	130	60	BW225 W/DP	2CMA142401R1000 <sup>1)</sup>	0.29
40	40	32	2xM32/ 2xM32+1xM16	138	168	68	BW240 DP	2CMA142407R1000	0.39

<sup>1)</sup> Light grey cover for commercial/residential design

# Ordering information

## Plastic enclosed switch-disconnectors

**BW316 TPN**

**BW325 TPN**

2CMC341011F0054



**BW325W/TPN**

2CMC341011F0062



**BW340 TPN**

2CMC341011F0056



**BW325K/TPN**

2CMC341011F0072



**BW325L/TPN**

2CMC341011F0073



### 3-pole side operated switch-disconnectors

#### Plastic enclosed, IP65

Enclosure in robust PBT plastic with metric threaded cable entries. Light grey box with dark grey cover and operating handle. Delivery includes PE+neutral terminal and membrane glands (IP54) / sealing plugs. For IP65 degree of protection compression glands must be used.

Rated operational current [A]					Cable sizes Up/Down	Enclosure size [mm]			Type	Order number	Weight [kg]
AC22A		AC23A		W		H	M				
400V	500V	690V	500V								
16	16	10	10	2xM25/2xM25	111	130	60	BW316 TPN	2CMA142447R1000	0.31	
25	25	16	16	2xM25/2xM25	111	130	60	BW325 TPN	2CMA142403R1000	0.31	
25	25	16	16	2xM25/2xM25	111	130	60	BW325 W/TPN	2CMA142402R1000 <sup>1)</sup>	0.31	
40	40	32	25	2xM32/ 2xM32+1xM16	138	168	68	BW340 TPN	2CMA142408R1000	0.41	

<sup>1)</sup> Light grey cover for commercial/residential design

### 3-pole side operated switch-disconnectors

#### Plastic enclosed, IP65

Enclosure in robust PBT plastic with metric threaded cable entries. Light grey enclosure with dark grey operating handle. Delivery includes PE+neutral terminal and membrane glands (IP54) / sealing plugs. For IP65 degree of protection compression glands must be used.

Rated operational current [A]					Cable sizes Up/Down	Enclosure size [mm]			Type	Order number	Weight [kg]
AC22A		AC23A		W		H	M				
400V	500V	690V	400V								
25	25	16	16	2xM25/2xM25	111	130	60	BW325 K/TPN	2CMA142443R1000	0.31	
25		16		2xM25/2xM25	111	130	60	BW325 L/TPN	2CMA142404R1000 <sup>2)</sup>	0.33	

<sup>2)</sup> With indicator lamp

# Ordering information

## Plastic enclosed switch-disconnectors

**BW425 TPSN**  
2CMC341011F0054



### 4-pole side operated switch-disconnectors

#### Plastic enclosed, IP65

Enclosure in robust PBT plastic with metric threaded cable entries. Light grey enclosure with dark grey operating handle. Delivery includes PE terminal and membrane glands (IP54) / sealing plugs. For IP65 degree of protection compression glands must be used.

**BW440 TPSN**  
2CMC341011F0056



Rated operational current [A]					Cable sizes Up/Down	Enclosure size [mm]			Type	Order number	Weight [kg]
AC22A		AC23A				W	H	M			
400V	500V	690V	500V								
25	25	16	16	2xM25/2xM25	111	130	60	BW425 TPSN	2CMA142405R1000	0.31	
40	40	32	25	2xM32/ 2xM32+1xM16	138	168	68	BW440 TPSN	2CMA142409R1000	0.33	

**BW625 TPN, BW640 TPN**  
2CMC341011F0056



### 6-pole side operated switch-disconnectors

#### Plastic enclosed, IP65

Enclosure in robust PBT plastic with non-threaded cable entries. Light grey box with dark grey cover and operating handle. Delivery includes PE+neutral terminal and membrane glands (IP54). For IP65 degree of protection compression glands (with prolonged thread) must be used.

Rated operational current [A]					Cable sizes Up/Down	Enclosure size [mm]			Type	Order number	Weight [kg]
AC22A		AC23A				W	H	M			
400V	500V	690V	500V								
25	25	16	16	2xØ25+1xØ16/ 2xØ25+1xØ16	190	130	65	BW625 TPN	2CMA142406R1000	0.31	
40	40	32	25	2xØ25+1xØ16/ 2xØ25+1xØ16	190	130	65	BW640 TPN	2CMA142410R1000	0.41	

# Ordering information

## Plastic enclosed switch-disconnectors

### 3-pole front operated switch-disconnectors

#### Plastic enclosed, IP65

OTP16B\_  
S00695A



OTP25B\_, OTP32B\_  
S00764A



OT45B\_, OTP63B\_  
S00762A



OTP125B3M  
S02081A



OTP125B3B  
S00692A



OTP125B3U  
S00772A



OT160...800\_  
S00835



Rated operational current [A]		Cable outlets/ side	Enclosure size [mm]			Type	Order number	Weight [kg]
AC22A	AC23A		W	H	D			
≤690V	≤415V							
Includes black round handle (1-0 and ON-OFF indication), N- and PE-terminals, two membrane cable glands and two pull stoppers.								
16	16	2xM20	85	120	60	OTP16HB3M	1SCA022401R2970	0.4
16	16	2xM25	85	120	60	OTP16HB3M25	1SCA022699R3690	0.4
16	16	2xPg16	85	120	60	OTP16HB3P	1SCA022389R6700	0.4
16	16	-	85	120	60	OTP16HB3U	1SCA022401R3010	0.4
Includes selector-type black handle (1-0 and ON-OFF indication), N- and PE-terminals, two membrane cable glands and two pull stoppers.								
16	16	2xM20	85	120	60	OTP16B3M	1SCA022383R2130	0.4
16	16	2xM25	85	120	60	OTP16B3M25	1SCA022699R2880	0.4
16	16	2xPg16	85	120	60	OTP16B3P	1SCA022383R0940	0.4
Includes selector-type black handle (1-0 and ON-OFF indication), N- and PE-terminals. Threaded knock-outs, compression glands have to be ordered separately.								
25	20	2xM25+M16	130	150	60	OTP25B3M	1SCA022383R2640	0.5
25	20	2xPg21+Pg11	130	150	60	OTP25B3P	1SCA022383R2560	0.5
40	23	2xM25+M16	130	150	60	OTP32B3M	1SCA022389R8400	0.8
40	23	2xPg21+Pg11	130	150	60	OTP32B3P	1SCA022389R7510	0.8
63	45	2xM32+M16	145	200	90	OTP45B3M	1SCA022383R3020	1.0
63	45	2xPg29+Pg11	145	200	90	OTP45B3P	1SCA022383R2990	1.0
80	63	2xM32+M16	145	200	90	OTP63B3M	1SCA022383R3450	1.0
80	63	2xPg29+Pg11	145	200	90	OTP63B3P	1SCA022383R3370	1.0
125	90	2xM50+M16	200	400	140	OTP125B3M	1SCA022812R7180	2.4
Includes selector-type black handle (1-0 and ON-OFF indication), N- and PE-terminals. Knock-out flanges, flanges have to be ordered separately.								
125	90	I-flange	200	400	140	OTP125B3B	1SCA022383R3700	2.4
125	90	-	200	400	140	OTP125B3U	1SCA022401R3270	2.4
Includes pistol-type black handle (1-0 and ON-OFF indication), N- and PE-terminals. Knock-out flanges, flanges have to be ordered separately.								
160	135	II-flange	280	380	130	OT160EFCC3B	1SCA022278R7030	5.4
200	200	II-flange	280	560	180	OT200KFCC3B	1SCA022278R1510	9.0
250	250	II-flange	280	560	180	OT250KFCC3B	1SCA022278R2150	9.0
315	315	II-flange	380	560	180	OT315KFCC3B	1SCA022278R2740	9.0
400	400	II-flange	380	840	180	OT400DFCC3B	1SCA022278R3390	16.0
570	570	II-flange	380	840	180	OT630KFCC3B	1SCA022278R3980	20.0
720	720	2xII-flange	560	760	250	OT800KFCC3B	1SCA022303R0310	20.0



# Ordering information

## Plastic enclosed switch-disconnectors

OTP16B\_, OTP25B\_, OTP32B\_  
S00764A



### 4-pole front operated switch-disconnectors

#### Plastic enclosed, IP65

Rated operational current [A]		Cable outlets/ side	Enclosure size [mm]			Type	Order number	Weight [kg]
AC22A ≤690V	AC23A ≤415V		W	H	D			

Includes selector-type black handle (I-O and ON-OFF indication), N- and PE-terminals.

Threaded knock-outs, compression glands have to be ordered separately.

16	16	2xM25+M16	130	150	60	OTP16B4M	1SCA022401R4160	0.5
16	16	2xPg21+Pg11	130	150	60	OTP16B4P	1SCA022419R8620	0.5
25	20	2xM25+M16	130	150	60	OTP25B4M	1SCA022401R4320	0.8
25	20	2xPg21+Pg11	130	150	60	OTP25B4P	1SCA022401R4240	0.8
40	23	2xM25+M16	130	150	60	OTP32B4M	1SCA022401R4590	0.8
40	23	2xPg21+Pg11	130	150	60	OTP32B4P	1SCA022401R4410	0.8
63	45	2xM32+M16	145	200	90	OTP45B4M	1SCA022401R4750	1.0
63	45	2xPg29+Pg11	145	200	90	OTP45B4P	1SCA022401R4670	1.0
80	63	2xM32+M16	145	200	90	OTP63B4M	1SCA022401R4910	1.0
80	63	2xPg29+Pg11	145	200	90	OTP63B4P	1SCA022401R4830	1.0
125	90	2xM50+M16	200	400	140	OTP125B4M	1SCA022812R7260	2.5

Includes selector-type black handle (I-O and ON-OFF indication), N- and PE-terminals.

Knock-out flanges, flanges have to be ordered separately.

125	90	I-flange	200	400	140	OTP125B4B	1SCA022401R5210	2.5
125	90	-	200	400	140	OTP125B4U	1SCA022401R5300	2.5

Includes pistol-type black handle (O-I and ON-OFF indication), N- and PE-terminals.

Knock-out flanges, flanges have to be ordered separately.

160	135	II-flange	280	380	130	OT160KFCC4B	1SCA022548R6620	5.4
200	200	II-flange	280	560	180	OT200KFCC4B	1SCA022530R4450	9.0
250	250	II-flange	280	560	180	OT250KFCC4B	1SCA022530R4530	9.0
315	315	II-flange	380	560	180	OT315KFCC4B	1SCA022548R6710	9.0
400	400	II-flange	380	840	180	OT400DFCC4B	1SCA022609R5480	16.0
570	570	II-flange	380	840	180	OT630KFCC4B	1SCA022584R5700	20.0
720	720	2xII-flange	560	760	250	OT800KFCC4B	1SCA022609R5560	20.0

OT45B\_, OTP63B\_  
S00762A



OTP125B4M  
S02081A



OTP125B4B  
S00692A



OTP125B4U  
S00772A



OT160...800\_  
S00835A



# Ordering information

## Plastic enclosed switch-disconnectors

OTP16B\_, OTP25B\_, OTP32B\_  
S00764A



### 6-pole front operated switch-disconnectors

#### Plastic enclosed, IP65

Rated operational current [A]	AC22A AC23A	AC22A AC23A	Cable outlets/ side	Enclosure size [mm]	W	H	D	Type	Order number	Weight [kg]
≤690V	≤415V									

Includes selector-type black handle (I-0 and ON-OFF indication), N- and PE-terminals.

Threaded knock-outs, compression glands have to be ordered separately.

16	16		2xM25+M16	130	150	85		OTP16B6M	1SCA022401R5560	0.8
16	16		2xPg21+Pg11	130	150	85		OTP16B6P	1SCA022401R5480	0.8
25	20		2xM25+M16	130	150	85		OTP25B6M	1SCA022401R5720	0.9
25	20		2xPg21+Pg11	130	150	85		OTP25B6P	1SCA022401R5640	0.9
40	23		2xM25+M16	130	150	85		OTP32B6M	1SCA022401R5990	0.9
40	23		2xPg21+Pg11	130	150	85		OTP32B6P	1SCA022401R5810	0.9

Includes pistol-type black handle (I-0 and ON-OFF indication), N- and PE-terminals.

Threaded knock-outs, compression glands have to be ordered separately.

45	45		2xM32+M16	145	200	90		OTP45B6M	1SCA022401R6110	1.6
45	45		2xPg29+Pg11	145	200	90		OTP45B6P	1SCA022401R6020	1.6
63	45		2xM32+M16	145	200	90		OTP63B6M	1SCA022401R6370	1.6
63	45		2xPg29+Pg11	145	200	90		OTP63B6P	1SCA022401R6290	1.6
125	90		2xM50+M16	200	400	140		OTP125B6M	1SCA022812R7340	3.2

Includes pistol-type black handle (I-0 and ON-OFF indication), N- and PE-terminals.

Knock-out flanges, flanges have to be ordered separately.

125	90		I-flange	200	400	140		OTP125B6B	1SCA022401R6610	3.2
125	90		-	200	400	140		OTP125B6U	1SCA022401R6700	3.2

OTP45B\_, OTP63B\_  
S00590A



OTP125B6M  
S02084A



OTP125B6B  
S00768A



OTP125B6U  
S00774A



# Ordering information

## Plastic enclosed switch-disconnectors

**BW\_25Y/TPN**  
2CMC342002F0056



### 3-pole side operated switch-disconnectors

#### Plastic enclosed, IP65, red-yellow

Enclosure in robust PBT plastic with metric threaded cable entries. Light grey box with yellow cover and red operating handle. Delivery includes PE+neutral terminal and membrane glands (IP54) / sealing plugs. For IP65 degree of protection compression glands must be used.

**BW\_40Y/TPSN**  
2CMC342002F0056



Rated operational current [A]					Cable sizes Up/Down	Enclosure size [mm]			Type	Order number	Weight [kg]
AC22A		AC23A				W	H	D			
400V	500V	690V	500V								
25	25	16	16	2xM25/2xM25	111	130	60	BW325 Y/TPN	2CMA142441R1000	0.31	
40	40	32	25	2xM32/ 2xM32+1xM16	138	168	68	BW340 Y/TPN	2CMA142445R1000	0.41	

### 4-pole side operated switch-disconnectors

#### Plastic enclosed, IP65, red-yellow

Enclosure in robust PBT plastic with metric threaded cable entries. Light grey box with yellow cover and red operating handle. Delivery includes PE terminal and membrane glands (IP54) / sealing plugs. For IP65 degree of protection compression glands must be used.

Rated operational current [A]					Cable sizes Up/Down	Enclosure size [mm]			Type	Order number	Weight [kg]
AC22A		AC23A				W	H	D			
400V	500V	690V	500V								
25	25	16	16	2xM25/2xM25	111	130	60	BW425 Y/TPSN	2CMA142444R1000	0.31	
40	40	32	25	2xM32/ 2xM32+1xM16	138	168	68	BW440 Y/TPSN	2CMA142446R1000	0.41	

# Ordering information

## Plastic enclosed switch-disconnectors

OTP16B\_  
S00759A



OTP25B\_, OTP32B\_  
S00760A



OTP45B\_, OTP63B\_  
S00761A



OTP125BA3M  
S02076A



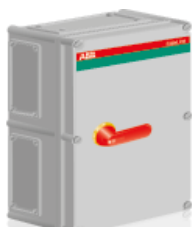
OTP125BA3B  
S00763A



OTP125BA3U  
S00773A



OT160...800\_  
S01765A



### 3-pole front operated switch-disconnectors

Plastic enclosed, IP65, red-yellow

Rated operational current [A]		Cable outlets/ side	Enclosure size [mm]			Type	Order number	Weight [kg]
AC22A	AC23A		W	H	D			
≤690V	≤415V							

Includes selector-type red-yellow handle (I-0 and ON-OFF indication), N- and PE-terminals, two membrane cable glands and two pull stoppers.

16	16	2xM20	85	120	60	OTP16BA3M	1SCA022401R3350	0.4
16	16	2xM25	85	120	60	OTP16BA3M25	1SCA022699R2960	0.4
16	16	2xPg16	85	120	60	OTP16BA3P	1SCA022389R6880	0.4

Includes selector-type red-yellow handle (I-0 and ON-OFF indication), N- and PE-terminals. Threaded knock-outs, compression glands have to be ordered separately.

25	20	2xM25+M16	130	150	60	OTP25BA3M	1SCA022401R3430	0.5
25	20	2xPg21+Pg11	130	150	60	OTP25BA3P	1SCA022389R6960	0.5
40	23	2xM25+M16	130	150	60	OTP32BA3M	1SCA022401R3510	0.8
40	23	2xPg21+Pg11	130	150	60	OTP32BA3P	1SCA022389R7000	0.8
63	45	2xM32+M16	145	200	90	OTP45BA3M	1SCA022401R3600	1.0
63	45	2xPg29+Pg11	145	200	90	OTP45BA3P	1SCA022389R7180	1.0
80	63	2xM32+M16	145	200	90	OTP63BA3M	1SCA022401R3780	1.0
80	63	2xPg29+Pg11	145	200	90	OTP63BA3P	1SCA022389R7260	1.0
125	90	2xM50+M16	200	400	140	OTP125BA3M	1SCA022812R7420	2.4

Includes selector-type red-yellow handle (I-0 and ON-OFF indication), N- and PE-terminals. Knock-out flanges, flanges have to be ordered separately.

125	90	I-flange	200	400	140	OTP125BA3B	1SCA022389R7420	2.4
125	90	-	200	400	140	OTP125BA3U	1SCA022401R3940	2.4

Includes pistol-type red-yellow handle (I-0 and ON-OFF indication), N- and PE-terminals. Knock-out flanges, flanges have to be ordered separately.

160	135	II-flange	280	380	130	OT160EFCC3BA	1SCA022833R6510	5.4
200	200	II-flange	280	560	180	OT200KFCC3BA	1SCA022833R9950	9.0
250	250	II-flange	280	560	180	OT250KFCC3BA	1SCA022834R0020	9.0
315	315	II-flange	380	560	180	OT315KFCC3BA	1SCA022834R0110	9.0
400	400	II-flange	380	840	180	OT400DFCC3BA	1SCA022834R0290	16.0
570	570	II-flange	380	840	180	OT630KFCC3BA	1SCA022834R0370	20.0
720	720	2xII-flange	560	760	250	OT800KFCC3BA	1SCA022834R0450	30.0

# Ordering information

## Plastic enclosed switch-disconnectors

OTP16B\_, OTP25B\_, OTP32B\_  
S00760A



### 4-pole front operated switch-disconnectors

Plastic enclosed, IP65, red-yellow

OTP45\_, OTP63\_  
S00761A



OTP125BA4M  
S02076A



OTP125BA4B  
S00763A



OTP125BA4U  
S00773A



OT160\_...800\_  
S01765A



Rated operational current [A]	Cable outlets/ side	Enclosure size [mm]			Type	Order number	Weight [kg]
		W	H	D			
AC22A	AC23A						
≤690V	≤415V						

Includes selector-type red-yellow handle (I-0 and ON-OFF indication), N- and PE-terminals.

Threaded knock-outs, compression glands have to be ordered separately.

16	16	2xM25+M16	130	150	60	OTP16BA4M	1SCA022459R6510	0.5
16	16	2xPg21+Pg11	130	150	60	OTP16BA4P	1SCA022401R4080	0.5
25	20	2xM25+M16	130	150	60	OTP25BA4M	1SCA022459R6600	0.8
25	20	2xPg21+Pg11	130	150	60	OTP25BA4P	1SCA022433R8140	0.8
40	23	2xM25+M16	130	150	60	OTP32BA4M	1SCA022459R6780	0.8
40	23	2xPg21+Pg11	130	150	60	OTP32BA4P	1SCA022433R8220	0.8
63	45	2xM32+M16	145	200	90	OTP45BA4M	1SCA022459R6860	1.0
63	45	2xPg29+Pg11	145	200	90	OTP45BA4P	1SCA022571R5080	1.0
80	63	2xM32+M16	145	200	90	OTP63BA4M	1SCA022459R6940	1.0
80	63	2xPg29+Pg11	145	200	90	OTP63BA4P	1SCA022571R5160	1.0
125	90	2xM50+M16	200	400	140	OTP125BA4M	1SCA022812R7510	2.5

Includes selector-type red-yellow handle (I-0 and ON-OFF indication), N- and PE-terminals.

Knock-out flanges, flanges have to be ordered separately.

125	90	I-flange	200	400	140	OTP125BA4B	1SCA022571R8510	2.5
125	90	-	200	400	140	OTP125BA4U	1SCA022459R7160	2.5

Includes pistol-type red-yellow handle (I-0 and ON-OFF indication), N- and PE-terminals.

Knock-out flanges, flanges have to be ordered separately.

160	135	II-flange	280	380	130	OT160EFCC4BA	1SCA022833R6690	5.4
200	200	II-flange	280	560	180	OT200KFCC4BA	1SCA022834R0530	9.0
250	250	II-flange	280	560	180	OT250KFCC4BA	1SCA022834R0610	9.0
315	315	II-flange	380	560	180	OT315KFCC4BA	1SCA022834R0700	9.0
400	400	II-flange	380	840	180	OT400DFCC4BA	1SCA022834R0880	16.0
570	570	II-flange	380	840	180	OT630KFCC4BA	1SCA022834R1000	20.0
720	720	2xII-flange	560	760	250	OT800KFCC4BA	1SCA022834R1180	30.0

# Ordering information

## Plastic enclosed switch-disconnectors

OTP16B\_, OTP25B\_, OTP32B\_  
S00760A



OTP45\_, OTP63\_  
S00767A



OTP125BA6M  
S02083A



OTP125BA6B  
S00769A



OTP125BA6U  
S00775A



### 6-pole front operated switch-disconnectors

Plastic enclosed, IP65, red-yellow

Rated operational current [A]		Cable outlets/ side	Enclosure size [mm]			Type	Order number	Weight [kg]
AC22A	AC23A		W	H	D			
≤690V	≤415V							

Includes selector-type red-yellow handle (I-O and ON-OFF indication), N- and PE-terminals.

Threaded knock-outs, compression glands have to be ordered separately.

16	16	2xM25+M16	130	150	85	OTP16BA6M	1SCA022401R6880	0.8
16	16	2xPg21+Pg11	130	150	85	OTP16BA6P	1SCA022394R5330	0.8
25	20	2xM25+M16	130	150	85	OTP25BA6M	1SCA022401R6960	0.9
25	20	2xPg21+Pg11	130	150	85	OTP25BA6P	1SCA022394R5410	0.9
40	23	2xM25+M16	130	150	85	OTP32BA6M	1SCA022401R7000	0.9
40	23	2xPg21+Pg11	130	150	85	OTP32BA6P	1SCA022394R5680	0.9

Includes pistol-type red-yellow handle (I-O and ON-OFF indication), N- and PE-terminals.

Threaded knock-outs, compression glands have to be ordered separately.

45	45	2xM32+M16	145	200	90	OTP45BA6M	1SCA022401R7180	1.6
45	45	2xPg29+Pg11	145	200	90	OTP45BA6P	1SCA022394R5840	1.6
63	45	2xM32+M16	145	200	90	OTP63BA6M	1SCA022401R7260	1.6
63	45	2xPg29+Pg11	145	200	90	OTP63BA6P	1SCA022394R5760	1.6
125	90	2xM50+M16	200	400	140	OTP125BA6M	1SCA022812R7690	3.2

Includes pistol-type red-yellow handle (I-O and ON-OFF indication), N- and PE-terminals.

Knock-out flanges, flanges have to be ordered separately.

125	90	I-flange	200	400	140	OTP125BA6B	1SCA022401R7510	3.2
125	90	-	200	400	140	OTP125BA6U	1SCA022401R7690	3.2

# Ordering information

## Plastic enclosed switch-disconnectors

OTP16BA3MS  
S00759A



OTP16BA4MS, OTP16BA8MS,  
OTP32BA3MS, OTP32BA8MS  
S00760A



### Front operated switch-disconnectors, DC rated switches

Plastic enclosed, IP65, red-yellow

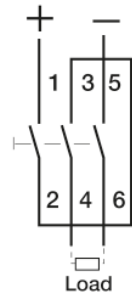
Utilisation category and voltage			Cable outlets/ side	Enclosure size			Type	Order number	Weight [kg]
I <sub>e</sub> [A]	DC21A	DC20A*		W	H	D			
	U <sub>e</sub> [VDC]	U <sub>e</sub> [VDC]							
Includes selector-type red-yellow handle (I-0 and ON-OFF indication).									
Threaded knock-outs, compression glands have to be ordered separately.									
16	220	800	2xM20	85	120	60	OTP16BA3MS	1SCA022643R0530	0.4
16	500	800	2xM25+M16	130	150	60	OTP16BA4MS	1SCA022643R0610	0.5
16	800	800	2xM25+M16	130	150	85	OTP16BA8MS	1SCA022643R0700	0.8
32 <sup>1)</sup>	220	800	2xM25+M16	130	150	60	OTP32BA3MS	1SCA022643R0880	0.8
32 <sup>1)</sup>	750	800	2xM25+M16	130	150	85	OTP32BA8MS	1SCA022643R1000	0.9

\* Insulation voltage U<sub>i</sub>=800V, pollution degree 2 /  
Insulation voltage U<sub>i</sub>=750V, pollution degree 3.

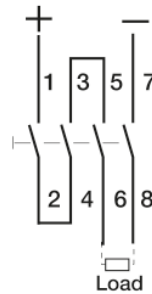
<sup>1)</sup> Ambient temperature max +40 °C and average max +35 °C / 24h.

### Circuit diagrams

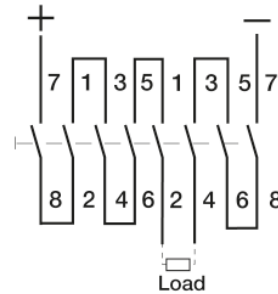
Type OTP\_3MS  
3-poles in series



Type OTP\_4MS  
4-poles in series



Type OTP\_8MS  
8-poles in series





# Ordering information

## Steel sheet enclosed switch-disconnectors

OT16...63 ELMM\_  
S00822A



### 3-pole front operated switch-disconnectors

#### Steel sheet enclosed, IP65

OT125 ELBB\_  
S00823A



OTL16...63 B\_  
S01211A



OTL100...125B3B  
S01251A



Rated operational current [A]	Cable outlets/ side	Enclosure size [mm]	Type	Order number	Weight [kg]
AC22A AC23A ≤690V ≤415V		W H D			

Includes selector-type black handle (I-0 and ON-OFF indication), N- and PE-terminals.

Cable knock-outs as standard, compression glands have to be ordered separately.

16	16	2xø20+ø16	162 240 110	OT16ELMM3BZ	1SCA022461R9150	1.6
25	20	2xø25+ø16	162 240 110	OT25ELMM3BZ	1SCA022461R9310	1.6
40	23	2xø25+ø16	162 240 110	OT32ELMM3BZ	1SCA022461R9580	1.6
63	45	2xø32+ø16	162 240 110	OT45ELMM3BZ	1SCA022461R9740	2.0
80	63	2xø32+ø16	162 240 110	OT63ELMM3BZ	1SCA022461R9910	2.0

Includes selector-type black handle (I-0 and ON-OFF indication), N- and PE-terminals.

Cable knock-outs as standard, flanges have to be ordered separately.

125	90	B-flange	233 350 140	OT125ELBB3BZ	1SCA022462R0240	5.0
-----	----	----------	-------------	--------------	-----------------	-----

Includes selector-type black handle (I-0 and ON-OFF indication), N- and PE-terminals.

Cable knock-outs as standard, compression glands have to be ordered separately.

16	16	2xø25+ø16	150 200 100	OTL16B3M	1SCA022562R1260	1.7
25	20	2xø25+ø16	150 200 100	OTL25B3M	1SCA022562R2400	1.7
40	23	2xø25+ø16	150 200 100	OTL32B3M	1SCA022562R3630	1.7
63	45	2xø32+ø16	150 200 100	OTL45B3M	1SCA022562R4790	1.9
80	63	2xø32+ø16	150 200 100	OTL63B3M	1SCA022562R5920	1.9

Includes pistol-type black handle (I-0 and ON-OFF indication), N- and PE-terminals.

Cable knock-outs as standard, flanges have to be ordered separately.

100	80	B-flange	200 300 150	OTL100B3B	1SCA022562R8350	3.4
100	80	-	200 300 150	OTL100B3U	1SCA022562R8430	3.4
125	90	B-flange	200 300 150	OTL125B3B	1SCA022562R9590	3.4
125	90	-	200 300 150	OTL125B3U	1SCA022562R9670	3.4

# Ordering information

## Steel sheet enclosed switch-disconnectors

OT125...1600\_LA\_  
S00834A



### 3-pole front operated switch-disconnectors

#### Steel sheet enclosed, IP65

Rated operational current [A]		Cable outlets/ side	Enclosure size [mm]			Type	Order number	Weight [kg]
AC22A ≤690V	AC23A ≤415V		W	H	D			

Delivery without cable entries, top and bottom sides are open. Cable entries for C-flanges or for ring-flanges have to be ordered separately, see accessories. These entries are used also for fixing the enclosed switches. Flanges have to be ordered separately too. Includes pistol-type black handle (I-O and ON-OFF indication), N- and PE-terminals.

125	105	Open	250	400	180	OT125ALAA3BZ	1SCA022302R6710	11.0
160	135	Open	250	400	180	OT160ELAA3BZ	1SCA022302R7100	10.0
200	200	Open	400	600	230	OT200KLAA3BZ	1SCA022302R7520	17.0
250	250	Open	400	600	230	OT250KLAA3BZ	1SCA022302R7950	17.0
315	315	Open	400	600	230	OT315KLAA3BZ	1SCA022302R8330	17.0
400	400	Open	400	800	230	OT400DLAA3BZ	1SCA022302R8760	23.0
570	570	Open	400	1000	230	OT630KLAA3BZ	1SCA022302R9140	30.0
720	720	Open	400	1000	230	OT800KLAA3BZ	1SCA022302R9570	30.0
1000	1000	Open	800	1200	230	OT1000KLAA3BZ	1SCA022569R2870	73.0
1250	1250	Open	800	1200	330	OT1250KLAA3BZ	1SCA022569R4310	90.0
1600	1250	Open	800	1200	330	OT1600KLAA3BZ	1SCA022569R4570	92.0

Delivery with blank cable entries. These entries are used also for fixing the enclosed switches.

Includes pistol-type black handle (I-O and ON-OFF indication), N- and PE-terminals.

125	90	-	250	400	180	OT125ALUU3BZ	1SCA022750R1430	11.0
160	135	-	250	400	180	OT160ELUU3BZ	1SCA022479R5120	15.0
200	200	-	400	600	230	OT200KLUU3BZ	1SCA022602R0630	17.0
250	250	-	400	600	230	OT250KLUU3BZ	1SCA022602R0710	17.0
315	315	-	400	600	230	OT315KLUU3BZ	1SCA022572R6010	20.0
400	400	-	400	800	230	OT400DLUU3BZ	1SCA022602R0800	24.0
570	570	-	400	1000	230	OT630KLUU3BZ	1SCA022750R1510	33.0
720	720	-	400	1000	230	OT800KLUU3BZ	1SCA022750R1600	33.0
1000	1000	-	800	1200	230	OT1000KLUU3BZ	1SCA022750R1780	75.0
1250	1250	-	800	1200	330	OT1250KLUU3BZ	1SCA022750R1860	92.0
1600	1250	-	800	1200	330	OT1600KLUU3BZ	1SCA022750R1940	94.0

OT125...1600\_LU\_  
S00507A



# Ordering information

## Steel sheet enclosed switch-disconnectors

OT16...63\_  
S00822A



### 4-pole front operated switch-disconnectors

#### Steel sheet enclosed, IP65

Rated operational current [A]	AC22A AC23A	≤690V ≤415V	Cable outlets/ side	Enclosure size [mm]	W	H	D	Type	Order number	Weight [kg]
-------------------------------	-------------	-------------	---------------------	---------------------	---	---	---	------	--------------	-------------

Includes selector-type black handle (I-0 and ON-OFF indication), N- and PE-terminals.

Cable knock-outs as standard, compression glands have to be ordered separately.

16	16		2x $\phi$ 20+ $\phi$ 16	162	240	110		OT16ELMM4BZ	1SCA022467R9050	1.6
25	20		2x $\phi$ 25+ $\phi$ 16	162	240	110		OT25ELMM4BZ	1SCA022467R9210	1.6
40	23		2x $\phi$ 25+ $\phi$ 16	162	240	110		OT32ELMM4BZ	1SCA022467R9480	1.6
63	45		2x $\phi$ 32+ $\phi$ 16	162	240	110		OT45ELMM4BZ	1SCA022467R9640	2.0
80	63		2x $\phi$ 32+ $\phi$ 16	162	240	110		OT63ELMM4BZ	1SCA022467R9810	2.0

Includes selector-type black handle (I-0 and ON-OFF indication), N- and PE-terminals.

Cable knock-outs as standard, flanges have to be ordered separately.

125	90		B-flange	233	350	140		OT125ELBB4BZ	1SCA022468R0140	5.0
-----	----	--	----------	-----	-----	-----	--	--------------	-----------------	-----

Includes selector-type black handle (I-0 and ON-OFF indication), N- and PE-terminals.

Cable knock-outs as standard, compression glands have to be ordered separately.

16	16		2x $\phi$ 25+ $\phi$ 16	150	200	100		OTL16B4M	1SCA022562R4120	1.7
25	20		2x $\phi$ 25+ $\phi$ 16	150	200	100		OTL25B4M	1SCA022562R2660	1.7
40	23		2x $\phi$ 25+ $\phi$ 16	150	200	100		OTL32B4M	1SCA022562R3800	1.7
63	45		2x $\phi$ 32+ $\phi$ 16	150	200	100		OTL45B4M	1SCA022562R4950	1.9
80	63		2x $\phi$ 32+ $\phi$ 16	150	200	100		OTL63B4M	1SCA022562R6140	1.9

Includes pistol-type black handle (I-0 and ON-OFF indication), N- and PE-terminals.

Cable knock-outs as standard, flanges have to be ordered separately.

100	80		B-flange	200	300	150		OTL100B4B	1SCA022562R8510	3.4
100	80		-	200	300	150		OTL100B4U	1SCA022562R8600	3.4
125	90		B-flange	200	300	150		OTL125B4B	1SCA022562R9830	3.4
125	90		-	200	300	150		OTL125B4U	1SCA022562R9910	3.4

OT125\_  
S00823A



OTL16...63\_  
S01211A



OTL100...125B4B  
S01251A



# Ordering information

## Steel sheet enclosed switch-disconnectors

OT125...1600\_LA\_  
S00834A



OT125...800\_LU\_  
S00507A



### 4-pole front operated switch-disconnectors

#### Steel sheet enclosed, IP65

Rated operational current [A] AC22A AC23A ≤690V ≤415V	Cable outlets/ side	Enclosure size [mm]			Type	Order number	Weight [kg]
		W	H	D			

Delivery without cable entries, top and bottom sides are open. Cable entries for C-flanges or for ring-flanges have to be ordered separately, see accessories. These entries are used also for fixing the enclosed switches. Flanges have to be ordered separately too. Includes pistol-type black handle (I-O and ON-OFF indication), N- and PE-terminals.

125	90	Open	250	400	180	OT125ALAA4BZ	1SCA022342R4870	15.0
160	135	Open	250	400	180	OT160ELAA4BZ	1SCA022342R5090	15.0
200	200	Open	400	600	230	OT200KLAA4BZ	1SCA022342R5410	18.0
250	250	Open	400	600	230	OT250KLAA4BZ	1SCA022342R5840	18.0
315	315	Open	400	600	230	OT315KLAA4BZ	1SCA022342R6220	18.0
400	400	Open	400	800	230	OT400DLAA4BZ	1SCA022342R6650	24.0
570	570	Open	400	1000	230	OT630KLAA4BZ	1SCA022342R7030	31.0
720	720	Open	400	1000	230	OT800KLAA4BZ	1SCA022342R7460	31.0
1000	1000	Open	800	1200	230	OT1000KLAA4BZ	1SCA022569R4220	75.0
1250	1250	Open	800	1200	330	OT1250KLAA4BZ	1SCA022569R4490	92.0
1600	1250	Open	800	1200	330	OT1600KLAA4BZ	1SCA022569R4650	95.0

Delivery with blank cable entries. These entries are used also for fixing the enclosed switches.

Includes pistol-type black handle (O-I and ON-OFF indication), N- and PE-terminals.

125	90	-	250	400	180	OT125ALUU4BZ	1SCA022833R6770	12
160	135	-	250	400	180	OT160ELUU4BZ	1SCA022833R6850	15
200	200	-	400	600	230	OT200KLUU4BZ	1SCA022800R5740	17
250	250	-	400	600	230	OT250KLUU4BZ	1SCA022800R7360	17
315	315	-	400	600	230	OT315KLUU4BZ	1SCA022801R0070	20
400	400	-	400	800	230	OT400DLUU4BZ	1SCA022801R0660	24
570	570	-	400	1000	230	OT630KLUU4BZ	1SCA022830R4490	31
720	720	-	400	1000	230	OT800KLUU4BZ	1SCA022830R4570	31

# Ordering information

## Steel sheet enclosed switch-disconnectors

OT16...63\_  
S00823A



### 6-pole front operated switch-disconnectors

#### Steel sheet enclosed, IP65

Rated operational current [A]	Cable outlets/ side	Enclosure size [mm]			Type	Order number	Weight [kg]
		W	H	D			
AC22A AC23A							
≤690V ≤415V							

Includes selector-type black handle (I-0 and ON-OFF indication), N- and PE-terminals.

Cable knock-outs as standard, compression glands have to be ordered separately.

16	16	2xø25+ø16	233	350	140	OT16ELMM6BZ	1SCA022589R9620	1.6
25	20	2xø25+ø16	233	350	140	OT25ELMM6BZ	1SCA022591R5330	1.6
40	23	2xø25+ø16	233	350	140	OT32ELMM6BZ	1SCA022589R8810	1.6
63	45	2xø32+ø16	233	350	140	OT45ELMM6BZ	1SCA022468R1380	2.0
80	63	2xø32+ø16	233	350	140	OT63ELMM6BZ	1SCA022468R1460	2.0

Includes selector-type black handle (I-0 and ON-OFF indication), N- and PE-terminals.

Cable knock-outs as standard, compression glands have to be ordered separately.

16	16	2xø25+ø16	150	200	100	OTL16B6M	1SCA022562R1690	1.8
25	20	2xø25+ø16	150	200	100	OTL25B6M	1SCA022562R2820	1.8
40	23	2xø25+ø16	150	200	100	OTL32B6M	1SCA022562R4010	1.8

Includes pistol-type black handle (I-0 and ON-OFF indication), N- and PE-terminals.

Cable knock-outs as standard, flanges have to be ordered separately.

63	45	B-flange	200	300	150	OTL45B6B	1SCA022610R4730	3.5
63	45	-	200	300	150	OTL45B6U	1SCA022610R4810	3.5
80	63	B-flange	200	300	150	OTL63B6B	1SCA022610R4900	3.5
80	63	-	200	300	150	OTL63B6U	1SCA022610R5030	3.5

Delivery without cable entries, top and bottom sides are open. Cable entries for C-flanges or for ring-flanges have to be ordered separately, see accessories. These entries are used also for fixing the enclosed switches. Flanges have to be ordered separately too. Includes pistol-type black handle (I-0 and ON-OFF indication), N- and PE-terminals.

125	90	Open	400	400	230	OT125ALAA6BZ	1SCA022689R5090	10
160	135	Open	400	400	230	OT160ELAA6BZ	1SCA022468R7400	10
200	200	Open	800	600	230	OT200KLAA6BZ	1SCA022717R9520	17
250	250	Open	800	800	230	OT250KLAA6BZ	1SCA022802R5770	34
315	315	Open	800	800	230	OT315KLAA6BZ	1SCA022804R1110	37
400	400	Open	800	800	230	OT400DLAA6BZ	1SCA022804R1200	37
570	570	Open	800	1000	230	OT630KLAA6BZ	1SCA022834R1420	46
720	720	Open	800	1000	230	OT800KLAA6BZ	1SCA022834R1340	46

Delivery with blank cable entries. These entries are used also for fixing the enclosed switches.

Includes pistol-type black handle (I-0 and ON-OFF indication), N- and PE-terminals.

125	90	-	400	400	230	OT125ALUU6BZ	1SCA022833R6930	15
160	135	-	400	400	230	OT160ELUU6BZ	1SCA022833R7070	15
200	200	-	800	600	230	OT200KLUU6BZ	1SCA022802R4610	35
250	250	-	800	800	230	OT250KLUU6BZ	1SCA022802R4530	40
315	315	-	800	800	230	OT315KLUU6BZ	1SCA022804R0900	43
400	400	-	800	800	230	OT400DLUU6BZ	1SCA022804R1030	43
570	570	-	800	1000	230	OT630KLUU6BZ	1SCA022834R1260	52
720	720	-	800	1000	230	OT800KLUU6BZ	1SCA022834R1690	52

OTL16...63\_  
S01211A



OTL45...63B6B  
S01251A



OT125...800\_LA\_  
S00834A



OT125...800\_LU\_  
S00507A



# Ordering information

## Steel sheet enclosed switch-disconnectors

OT16...63\_  
S00822A



OT125\_  
S00823A



OT125...1600\_  
S00834A



### 3-pole front operated switch-disconnectors

#### Steel sheet enclosed, IP54

Rated operational current [A]		Cable outlets/ side	Enclosure size [mm]			Type	Order number	Weight [kg]
AC22A ≤690V	AC23A ≤415V		W	H	D			

Includes selector-type black handle (I-0 and ON-OFF indication), N- and PE-terminals.

Cable knock-outs as standard, compression glands have to be ordered separately.

16	16	2xø20+ø16	162	240	110	OT16ELMM3B	1SCA022461R7960	1.6
25	20	2xø25+ø16	162	240	110	OT25ELMM3B	1SCA022461R8180	1.6
40	23	2xø25+ø16	162	240	110	OT32ELMM3B	1SCA022461R8340	1.6
63	45	2xø32+ø16	162	240	110	OT45ELMM3B	1SCA022461R8510	2.0
80	63	2xø32+ø16	162	240	110	OT63ELMM3B	1SCA022461R8770	2.0

Includes selector-type black handle (I-0 and ON-OFF indication), N- and PE-terminals.

Cable knock-outs as standard, flanges have to be ordered separately.

125	90	B-flange	233	350	140	OT125ELBB3B	1SCA022461R9070	5.0
-----	----	----------	-----	-----	-----	-------------	-----------------	-----

Delivery without cable entries, top and bottom sides are open. Cable entries for C-flanges or for ring-flanges have to be ordered separately, see accessories. These entries are used also for fixing the enclosed switches. Flanges have to be ordered separately too. Includes pistol-type black handle (I-0 and ON-OFF indication), N- and PE-terminals.

125	105	Open	250	400	180	OT125ALAA3B	1SCA022302R5910	10.0
160	135	Open	250	400	180	OT160ELAA3B	1SCA022280R3410	10.0
200	200	Open	400	600	230	OT200KLAA3B	1SCA022280R4060	17.0
250	250	Open	400	600	230	OT250KLAA3B	1SCA022280R4650	17.0
315	315	Open	400	600	230	OT315KLAA3B	1SCA022280R5200	17.0
400	400	Open	400	800	230	OT400DLAA3B	1SCA022279R9710	23.0
570	570	Open	400	1000	230	OT630KLAA3B	1SCA022280R0310	30.0
720	720	Open	400	1000	230	OT800KLAA3B	1SCA022280R0910	30.0
1000	1000	Open	800	1200	230	OT1000KLAA3B	1SCA022370R3830	73.0
1250	1250	Open	800	1200	230	OT1250KLAA3B	1SCA022350R0640	90.0
1600	1250	Open	800	1200	230	OT1600KLAA3B	1SCA022437R8520	92.0



# Ordering information

## Steel sheet enclosed switch-disconnectors

OT16...63\_  
S00822A



OT125\_  
S00823A



OT125...1600\_  
S00834A



### 4-pole front operated switch-disconnectors

#### Steel sheet enclosed, IP54

Rated operational current [A]		Cable outlets/ side	Enclosure size [mm]			Type	Order number	Weight [kg]
AC22A	AC23A		W	H	D			

Includes selector-type black handle (I-0 and ON-OFF indication), N- and PE-terminals.

Cable knock-outs as standard, compression glands have to be ordered separately.

16	16	2xø20+ø16	162	240	110	OT16ELMM4B	1SCA022467R7940	1.6
25	20	2xø25+ø16	162	240	110	OT25ELMM4B	1SCA022467R8160	1.6
40	23	2xø25+ø16	162	240	110	OT32ELMM4B	1SCA022467R8320	1.6
63	45	2xø32+ø16	162	240	110	OT45ELMM4B	1SCA022467R8590	2.0
80	63	2xø32+ø16	162	240	110	OT63ELMM4B	1SCA022467R7430	2.0

Includes selector-type black handle (I-0 and ON-OFF indication), N- and PE-terminals.

Cable knock-outs as standard, flanges have to be ordered separately.

125	90	B-flange	233	350	140	OT125ELBB4B	1SCA022467R8910	5.0
-----	----	----------	-----	-----	-----	-------------	-----------------	-----

Delivery without cable entries, top and bottom sides are open. Cable entries for C-flanges or for ring-flanges have to be ordered separately, see accessories. These entries are used also for fixing the enclosed switches. Flanges have to be ordered separately too. Includes pistol-type black handle (I-0 and ON-OFF indication), N- and PE-terminals.

125	90	Open	250	400	180	OT125ALAA4B	1SCA022340R9560	10.0
160	135	Open	250	400	180	OT160ELAA4B	1SCA022340R9720	10.0
200	200	Open	400	600	230	OT200KLAA4B	1SCA022341R0140	17.0
250	250	Open	400	600	230	OT250KLAA4B	1SCA022341R0570	17.0
315	315	Open	400	600	230	OT315KLAA4B	1SCA022341R0900	17.0
400	400	Open	400	800	230	OT400DLAA4B	1SCA022341R1380	23.0
570	570	Open	400	1000	230	OT630KLAA4B	1SCA022341R1710	30.0
720	720	Open	400	1000	230	OT800KLAA4B	1SCA022337R4830	30.0
1000	1000	Open	800	1200	230	OT1000KLAA4B	1SCA022437R9760	73.0
1250	1250	Open	800	1200	330	OT1250KLAA4B	1SCA022437R9480	90.0
1600	1250	Open	800	1200	330	OT1600KLAA4B	1SCA022437R9920	92.0



# Ordering information

## Steel sheet enclosed switch-disconnectors

OTL16\_...63\_  
S01345A



### 3-pole front operated switch-disconnectors

Steel sheet enclosed, IP65, red-yellow

Rated operational current [A]	AC22A AC23A	Cable outlets/ side	Enclosure size [mm]			Type	Order number	Weight [kg]
			W	H	D			
≤690V	≤415V							

Includes selector-type red-yellow handle (I-0 and ON-OFF indication), N- and PE-terminals.

Cable knock-outs as standard, compression glands have to be ordered separately.

16	16	2xø25+ø16	150	200	100	OTL16BA3M	1SCA022562R1850	1.7
25	20	2xø25+ø16	150	200	100	OTL25BA3M	1SCA022562R3040	1.7
40	23	2xø25+ø16	150	200	100	OTL32BA3M	1SCA022562R4100	1.7
63	45	2xø32+ø16	150	200	100	OTL45BA3M	1SCA022562R5330	1.9
80	63	2xø32+ø16	150	200	100	OTL63BA3M	1SCA022562R6570	1.9

Includes pistol-type red-yellow handle (I-0 and ON-OFF indication), N- and PE-terminals.

Cable knock-outs as standard, flanges have to be ordered separately.

100	80	B-flange	200	300	150	OTL100BA3B	1SCA022562R8940	3.4
100	80	-	200	300	150	OTL100BA3U	1SCA022562R9080	3.4
125	90	B-flange	200	300	150	OTL125BA3B	1SCA022563R0250	3.4
125	90	-	200	300	150	OTL125BA3U	1SCA022563R0330	3.4

OTL100BA3B, OTL125BA3B  
S01347A



OTL16\_...63\_  
S01345A



### 4-pole front operated switch-disconnectors

Steel sheet enclosed, IP65, red-yellow

Rated operational current [A]	AC22A AC23A	Cable outlets/ side	Enclosure size [mm]			Type	Order number	Weight [kg]
			W	H	D			
≤690V	≤415V							

Includes selector-type red-yellow handle (I-0 and ON-OFF indication), N- and PE-terminals.

Cable knock-outs as standard, compression glands have to be ordered separately.

16	16	2xø25+ø16	150	200	100	OTL16BA4M	1SCA022562R2070	1.7
25	20	2xø25+ø16	150	200	100	OTL25BA4M	1SCA022562R3210	1.7
40	23	2xø25+ø16	150	200	100	OTL32BA4M	1SCA022562R4360	1.7
63	45	2xø32+ø16	150	200	100	OTL45BA4M	1SCA022562R5500	1.9
80	63	2xø32+ø16	150	200	100	OTL63BA4M	1SCA022562R6730	1.9

Includes pistol-type red-yellow handle (I-0 and ON-OFF indication), N- and PE-terminals.

Cable knock-outs as standard, flanges have to be ordered separately.

100	80	B-flange	200	300	150	OTL100BA4B	1SCA022562R9160	3.4
100	80	-	200	300	150	OTL100BA4U	1SCA022562R9240	3.4
125	90	B-flange	200	300	150	OTL125BA4B	1SCA022563R0410	3.4
125	90	-	200	300	150	OTL125BA4U	1SCA022563R0500	3.4

OTL100BA4B, OTL125BA4B  
S01347A



# Ordering information

## Steel sheet enclosed switch-disconnectors

OTL16\_...32\_  
S01345A



### 6-pole front operated switch-disconnectors

#### Steel sheet enclosed, IP65, red-yellow

Rated operational current [A]	Cable outlets/ side	Enclosure size [mm]	Type	Order number	Weight [kg]
AC22A AC23A ≤690V ≤415V		W H D			

Includes selector-type red-yellow handle (I-0 and ON-OFF indication), N- and PE-terminals.

Cable knock-outs as standard, compression glands have to be ordered separately.

16	16	2xø25+ø16	150 200 100	OTL16BA6M	1SCA022562R2230	1.8
25	20	2xø25+ø16	150 200 100	OTL25BA6M	1SCA022562R3470	1.8
40	23	2xø25+ø16	150 200 100	OTL32BA6M	1SCA022562R4520	1.8

Includes pistol-type red-yellow handle (I-0 and ON-OFF indication), N- and PE-terminals.

Cable knock-outs as standard, flanges have to be ordered separately.

63	45	B-flange	200 300 150	OTL45BA6B	1SCA022610R5110	3.5
63	45	-	200 300 150	OTL45BA6U	1SCA022610R5200	3.5
80	63	B-flange	200 300 150	OTL63BA6B	1SCA022610R5380	3.5
80	63	-	200 300 150	OTL63BA6U	1SCA022610R5460	3.5

OTL45BA6B, OTL63BA6B  
S01347A



# Ordering information

## Stainless steel sheet enclosed switch-disconnectors

OTR16...63B3M  
S01211A



### 3-pole front operated switch-disconnectors

Stainless steel sheet enclosed, IP65

Rated operational current [A]		Cable outlets/ side	Enclosure size [mm]			Type	Order number	Weight [kg]
AC22A ≤690V	AC23A ≤415V		W	H	D			

Includes selector-type black handle (I-0 and ON-OFF indication), N- and PE-terminals.

Cable knock-outs as standard, compression glands have to be ordered separately.

16	16	2xø25+ø16	150	200	100	OTR16B3M	1SCA022567R9420	1.7
25	20	2xø25+ø16	150	200	100	OTR25B3M	1SCA022567R9690	1.7
40	23	2xø25+ø16	150	200	100	OTR32B3M	1SCA022567R9850	1.7
63	45	2xø32+ø16	150	200	100	OTR45B3M	1SCA022567R0010	1.9
80	63	2xø32+ø16	150	200	100	OTR63B3M	1SCA022567R0270	1.9

Includes pistol-type black handle (I-0 and ON-OFF indication), N- and PE-terminals.

Cable knock-outs as standard, flanges have to be ordered separately.

100	80	B-flange	200	300	135	OTR100B3B	1SCA022568R0510	3.4
100	80	-	200	300	135	OTR100B3U	1SCA022568R0600	3.4
125	90	B-flange	200	300	135	OTR125B3B	1SCA022568R0780	3.4
125	90	-	200	300	135	OTR125B3U	1SCA022568R0860	3.4

OTR100...125B3B  
S01251A



OTR16...63B4M  
S01211A



### 4-pole front operated switch-disconnectors

Stainless steel sheet enclosed, IP65

Rated operational current [A]		Cable outlets/ side	Enclosure size [mm]			Type	Order number	Weight [kg]
AC22A ≤690V	AC23A ≤415V		W	H	D			

Includes selector-type black handle (I-0 and ON-OFF indication), N- and PE-terminals.

Cable knock-outs as standard, compression glands have to be ordered separately.

16	16	2xø25+ø16	150	200	100	OTR16B4M	1SCA022568R1080	1.7
25	20	2xø25+ø16	150	200	100	OTR25B4M	1SCA022568R1240	1.7
40	23	2xø25+ø16	150	200	100	OTR32B4M	1SCA022568R1410	1.7
63	45	2xø32+ø16	150	200	100	OTR45B4M	1SCA022568R1670	1.9
80	63	2xø32+ø16	150	200	100	OTR63B4M	1SCA022568R1830	1.9

Includes pistol-type black handle (I-0 and ON-OFF indication), N- and PE-terminals.

Cable knock-outs as standard, flanges have to be ordered separately.

100	80	B-flange	200	300	135	OTR100B4B	1SCA022568R2130	3.4
100	80	-	200	300	135	OTR100B4U	1SCA022568R2210	3.4
125	90	B-flange	200	300	135	OTR125B4B	1SCA022568R2300	3.4
125	90	-	200	300	135	OTR125B4U	1SCA022568R2480	3.4

OTR100...125B4B  
S01251A



# Ordering information

## Stainless steel sheet enclosed switch-disconnectors

OTR16...32B6M  
S01211A



OTR45...63B6B  
S01251A



### 6-pole front operated switch-disconnectors

#### Stainless steel sheet enclosed, IP65

Rated operational current [A]		Cable outlets/ side	Enclosure size [mm]			Type	Order number	Weight [kg]
AC22A ≤690V	AC23A ≤415V		W	H	D			
Includes selector-type black handle (I-0 and ON-OFF indication), N- and PE-terminals.								
Cable knock-outs as standard, compression glands have to be ordered separately.								
16	16	2xø25+ø16	150	200	100	OTR16B6M	1SCA022575R2440	1.8
25	20	2xø25+ø16	150	200	100	OTR25B6M	1SCA022575R2870	1.8
40	23	2xø25+ø16	150	200	100	OTR32B6M	1SCA022575R3250	1.8
Includes pistol-type black handle (I-0 and ON-OFF indication), N- and PE-terminals.								
Cable knock-outs as standard, flanges have to be ordered separately.								
63	45	B-flange	200	300	135	OTR45B6B	1SCA022611R6660	3.5
63	45	-	200	300	135	OTR45B6U	1SCA022611R6820	3.5
80	63	B-flange	200	300	135	OTR63B6B	1SCA022611R7120	3.5
80	63	-	200	300	135	OTR63B6U	1SCA022611R7210	3.5

# Ordering information

## Stainless steel sheet enclosed switch-disconnectors

OTR16\_...63\_  
S01345A



### 3-pole front operated switch-disconnectors

Stainless steel sheet enclosed, IP65, red-yellow

Rated operational current [A]	Cable outlets/ side	Enclosure size [mm]			Type	Order number	Weight [kg]
		W	H	D			
AC22A ≤690V	AC23A ≤415V						

Includes selector-type red-yellow handle (I-0 and ON-OFF indication), N- and PE-terminals.

Cable knock-outs as standard, compression glands have to be ordered separately.

16	16	2xø25+ø16	150	200	100	OTR16BA3M	1SCA022569R5110	1.7
25	20	2xø25+ø16	150	200	100	OTR25BA3M	1SCA022569R5540	1.7
40	23	2xø25+ø16	150	200	100	OTR32BA3M	1SCA022569R5970	1.7
63	45	2xø32+ø16	150	200	100	OTR45BA3M	1SCA022569R6350	1.9
80	63	2xø32+ø16	150	200	100	OTR63BA3M	1SCA022569R6780	1.9

Includes pistol-type red-yellow handle (I-0 and ON-OFF indication), N- and PE-terminals.

Cable knock-outs as standard, flanges have to be ordered separately.

100	80	B-flange	200	300	135	OTR100BA3B	1SCA022569R7320	3.4
100	80	-	200	300	135	OTR100BA3U	1SCA022569R7590	3.4
125	90	B-flange	200	300	135	OTR125BA3B	1SCA022569R7750	3.4
125	90	-	200	300	135	OTR125BA3U	1SCA022569R7910	3.4

OTR100BA3B, OTR125BA3B  
S01347A



OTR16\_...63\_  
S01345A



### 4-pole front operated switch-disconnectors

Stainless steel sheet enclosed, IP65, red-yellow

Rated operational current [A]	Cable outlets/ side	Enclosure size [mm]			Type	Order number	Weight [kg]
		W	H	D			
AC22A ≤690V	AC23A ≤415V						

Includes selector-type red-yellow handle (I-0 and ON-OFF indication), N- and PE-terminals.

Cable knock-outs as standard, compression glands have to be ordered separately.

16	16	2xø25+ø16	150	200	100	OTR16BA4M	1SCA022569R5200	1.7
25	20	2xø25+ø16	150	200	100	OTR25BA4M	1SCA022569R5620	1.7
40	23	2xø25+ø16	150	200	100	OTR32BA4M	1SCA022569R6010	1.7
63	45	2xø32+ø16	150	200	100	OTR45BA4M	1SCA022569R6430	1.9
80	63	2xø32+ø16	150	200	100	OTR63BA4M	1SCA022569R6860	1.9

Includes pistol-type red-yellow handle (I-0 and ON-OFF indication), N- and PE-terminals.

Cable knock-outs as standard, flanges have to be ordered separately.

100	80	B-flange	200	300	135	OTR100BA4B	1SCA022569R7410	3.4
100	80	-	200	300	135	OTR100BA4U	1SCA022569R7670	3.4
125	90	B-flange	200	300	135	OTR125BA4B	1SCA022569R7830	3.4
125	90	-	200	300	135	OTR125BA4U	1SCA022569R8050	3.4

OTR100BA4B, OTR125BA4B  
S01347A



# Ordering information

## Stainless steel sheet enclosed switch-disconnectors

OTR16\_...32\_  
S01345A



### 6-pole front operated switch-disconnectors

#### Stainless steel sheet enclosed, IP65, red-yellow

Rated operational current [A] AC22A AC23A ≤690V ≤415V	Cable outlets/ side	Enclosure size [mm]			Type	Order number	Weight [kg]
		W	H	D			

Includes selector-type red-yellow handle (I-0 and ON-OFF indication), N- and PE-terminals.

Cable knock-outs as standard, compression glands have to be ordered separately.

16	16	2xø25+ø16	150	200	100	OTR16BA6M	1SCA022575R2610	1.8
25	20	2xø25+ø16	150	200	100	OTR25BA6M	1SCA022575R3090	1.8
40	23	2xø25+ø16	150	200	100	OTR32BA6M	1SCA022575R3410	1.8

Includes pistol-type red-yellow handle (I-0 and ON-OFF indication), N- and PE-terminals.

Cable knock-outs as standard, flanges have to be ordered separately.

63	45	B-flange	200	300	135	OTR45BA6B	1SCA022611R6910	3.5
63	45	-	200	300	135	OTR45BA6U	1SCA022611R7040	3.5
80	63	B-flange	200	300	135	OTR63BA6B	1SCA022611R7390	3.5
80	63	-	200	300	135	OTR63BA6U	1SCA022611R7470	3.5

OTR45BA6B, OTR63BA6B  
S01347A



# Ordering information

## Aluminum enclosed switch-disconnectors

KSE225 DP, KSE325 TPN,  
KSE425 TPSN  
2CMC342002F0008



### 2-pole side operated switch-disconnectors

#### Aluminum enclosed, IP65

Enclosure in Aluminum alloy (Silumin) with metric threaded cable entries and handle in PBT plastic. Light grey box with dark grey cover and operating handle. Delivery includes PE terminal and membrane glands (IP54) / sealing plugs. For IP65 degree of protection compression glands must be used.

KSE240 DP, KSE340 TPN,  
KSE440 TPSN  
2CMC342002F0010



Rated operational current [A]				Cable sizes	Enclosure size [mm]			Type	Order number	Weight [kg]
AC22A	AC23A	400V	Up/Down		W	H	D			
230V	400V	400V		2xM25/2xM25	111	130	60	KSE225 DP	2CMA142411R1000	0.54
25	25	16		2xM32/ 2xM32+1xM16	138	168	68	KSE240 DP	2CMA142414R1000	0.78

### 3-pole side operated switch-disconnectors

#### Aluminum enclosed, IP65

Enclosure in Aluminum alloy (Silumin) with metric threaded cable entries and handle in PBT plastic. Light grey box with dark grey cover and operating handle. Delivery includes PE+neutral terminal and membrane glands (IP54) / sealing plugs. For IP65 degree of protection compression glands must be used.

Rated operational current [A]					Cable sizes	Enclosure size [mm]			Type	Order number	Weight [kg]
AC22A	AC23A	400V	500V	690V		Up/Down	W	H			
25	25	16	16		2xM25/2xM25	111	130	60	KSE325 TPN	2CMA142412R1000	0.56
40	40	32	25		2xM32/ 2xM32+1xM16	138	168	68	KSE340 TPN	2CMA142415R1000	0.79

### 4-pole side operated switch-disconnectors

#### Aluminum enclosed, IP65

Enclosure in Aluminum alloy (Silumin) with metric threaded cable entries and handle in PBT plastic. Light grey box with dark grey cover and operating handle. Delivery includes PE terminal and membrane glands (IP54) / sealing plugs. For IP65 degree of protection compression glands must be used.

Rated operational current [A]					Cable sizes	Enclosure size [mm]			Type	Order number	Weight [kg]
AC22A	AC23A	400V	500V	690V		Up/Down	W	H			
25	25	16	16		2xM25/2xM25	111	130	60	KSE425 TPSN	2CMA142413R1000	0.56
40	40	32	25		2xM32/ 2xM32+1xM16	138	168	68	KSE440 TPSN	2CMA142416R1000	0.8



# Ordering information

## Aluminum enclosed switch-disconnectors

KSE363 TPN, KSE380 TPN,  
KSE3125 TPN  
2CMC341011F0075



KSE363D/TPN  
2CMC341011F0075



KSE463 TPSN, KSE480 TPSN  
2CMC341011F0075



### 3-pole front operated switch-disconnectors

#### Aluminum enclosed, IP65

Enclosure in Aluminum alloy (Silumin) with metric threaded cable entries. Light grey box with dark grey cover. Operating handle in black PBT plastic. Delivery includes PE+neutral terminal and membrane glands (IP54) / sealing plugs. For IP65 degree of protection compression glands must be used.

Rated operational current [A]					Cable sizes	Enclosure size [mm]			Type	Order number	Weight [kg]
AC22A		AC23A		Up/Down		W	H	D			
400V	500V	690V	500V		2xM40/ 2xM40+1xM16	160	230	145	KSE363 TPN	2CMA144580R1000	1.75
63	63	45	45		Closed/ 2xM40+1xM16	160	230	145	KSE363 D/TPN	2CMA144581R1000	1.76
80	80	75	58		2xM40/ 2xM40+1xM16	160	230	145	KSE380 TPN	2CMA144583R1000	1.75
125	125	90	70		2xM40/ 2xM40+1xM16	160	230	145	KSE3125 TPN	2CMA144588R1000	1.84

### 4-pole front operated switch-disconnectors

#### Aluminum enclosed, IP65

Enclosure in Aluminum alloy (Silumin) with metric threaded cable entries. Light grey box with dark grey cover. Operating handle in black PBT plastic. Delivery includes PE terminal and membrane glands (IP54) / sealing plugs. For IP65 degree of protection compression glands must be used.

Rated operational current [A]					Cable sizes	Enclosure size [mm]			Type	Order number	Weight [kg]
AC22A		AC23A		Up/Down		W	H	D			
400V	500V	690V	500V		2xM40/ 2xM40+1xM16	160	230	145	KSE463 TPSN	2CMA144582R1000	1.76
80	80	75	58		2xM40/ 2xM40+1xM16	160	230	145	KSE480 TPSN	2CMA144584R1000	1.75

# Ordering information

## Aluminum enclosed switch-disconnectors

KSE3160, 3250, 3315, 3500, 3630  
2CMC341011F0023



### 3-pole front operated switch-disconnectors

#### Aluminum enclosed, IP65

White enclosure in Aluminum alloy (Silumin) with black plastic pistol handle.  
Delivery includes PE and neutral terminals and rubber cable entry glands.

Rated operational current [A]		Cable sizes Down	Enclosure size [mm]			Type	Order number	Weight [kg]
AC22A 690V	AC23A 400V		W	H	D			
160	125	2xØ18-48	400	405	234	KSE3160	2CMA144712R1000	9.9
250	250	4xØ30-68	465	555	322	KSE3250	2CMA144713R1000	23
315	315	4xØ30-68	465	555	322	KSE3315	2CMA144714R1000	23
500	400	4xØ30-68	565	655	322	KSE3500	2CMA144715R1000	36
630	630	4xØ30-68	565	655	322	KSE3630	2CMA144716R1000	37

# Ordering information

## Aluminum enclosed switch-disconnectors

KSF225 DP, KSF325 TPN,  
KSF425 TPSN  
2CMC342002F0012



### 2-pole side operated Fireman's switches

#### Aluminum enclosed, IP65, red

Red painted switch-disconnectors for use by firemen to disconnect in case of fire. Enclosure in Aluminum alloy (Silumin) with metric threaded cable entries and special operating handle with loop and interlocking mechanism. Delivery includes PE terminal and membrane glands (IP54) / sealing plugs. For IP65 degree of protection compression glands must be used.

Rated operational current [A]				Cable sizes	Enclosure size [mm]			Type	Order number	Weight [kg]
AC22A	AC23A				W	H	D			
230V	400V	400V		Up/Down	111	130	60	KSF225 DP	2CMA142435R1000	0.57
25	25	16		2xM25/2xM25						

KSF340 TPN, KSF440 TPSN  
2CMC342002F0013



### 3-pole side operated Fireman's switches

#### Aluminum enclosed, IP65, red

Red painted switch-disconnectors for use by firemen to disconnect in case of fire. Enclosure in Aluminum alloy (Silumin) with metric threaded cable entries and special operating handle with loop and interlocking mechanism. Delivery includes PE+neutral terminal and membrane glands (IP54) / sealing plugs. For IP65 degree of protection compression glands must be used.

Rated operational current [A]						Cable sizes	Enclosure size [mm]			Type	Order number	Weight [kg]
AC22A	AC23A						W	H	D			
400V	500V	690V	500V	Up/Down		111	130	60	KSF325 TPN	2CMA142436R1000	0.59	
25	25	16	16	2xM25/2xM25		111	130	60	KSF325 TPN NO	2CMA142442R1000	0.6	
40	40	32	25	2xM32/ 2xM32+1xM16		138	168	68	KSF340 TPN	2CMA142438R1000	0.82	

### 4-pole side operated Fireman's switches

#### Aluminum enclosed, IP65, red

Red painted switch-disconnectors for use by firemen to disconnect in case of fire. Enclosure in Aluminum alloy (Silumin) with metric threaded cable entries and special operating handle with loop and interlocking mechanism. Delivery includes PE terminal and membrane glands (IP54) / sealing plugs. For IP65 degree of protection compression glands must be used.

Rated operational current [A]					Cable sizes	Enclosure size [mm]			Type	Order number	Weight [kg]
AC22A	AC23A					W	H	D			
400V	500V	690V	500V	Up/Down	111	130	60	KSF425 TPSN	2CMA142437R1000	0.59	
40	40	32	25	2xM32/ 2xM32+1xM16	138	168	68	KSF440 TPSN	2CMA142439R1000	0.83	

# Ordering information

## Steel sheet enclosed change-over switches

OT16...63\_C  
S00823A



### 3-pole front operated change-over switches

Steel sheet enclosed, IP54\*

Rated operational current [A]		Cable outlets/ side	Enclosure size [mm]			Type	Order number	Weight [kg]
AC22A ≤690V	AC23A ≤415V		W	H	D			

Includes pistol type black handle (I-O-II indication), N- and PE-terminals. Cable knock-outs as standard, compression glands and connection bars for parallel connection have to be ordered separately.

16	16	2xø25+ø16	233	350	140	OT16ELMM3C	1SCA022473R1070	1.9
16	16	2xø28,3+ø18,6	233	350	140	OT16ELPP3C	1SCA022473R1310	1.9
25	20	2xø25+ø16	233	350	140	OT25ELMM3C	1SCA022473R1580	1.9
25	20	2xø28,3+ø18,6	233	350	140	OT25ELPP3C	1SCA022473R1740	1.9
40	23	2xø25+ø16	233	350	140	OT32ELMM3C	1SCA022473R1910	1.9
40	23	2xø28,3+ø18,6	233	350	140	OT32ELPP3C	1SCA022473R2120	1.9
63	45	2xø32+ø16	233	350	140	OT45ELMM3C	1SCA022473R2390	4.0
63	45	2xø37+ø18,6	233	350	140	OT45ELPP3C	1SCA022473R2550	4.0
80	63	2xø32+ø16	233	350	140	OT63ELMM3C	1SCA022473R2710	4.0
80	63	2xø37+ø18,6	233	350	140	OT63ELPP3C	1SCA022473R2980	4.0

Delivery without cable entries, top and bottom sides are open. Cable entries for C-flanges or for ring-flanges have to be ordered separately, see accessories. These entries are used also for fixing the enclosed switches. Flanges and connection bars for parallel connection have to be ordered separately too. Includes pistol type black handle (I-O-II indication), N- and PE-terminals.

160	135	Open	400	600	230	OT160KLAA3C	1SCA120678R1001	20.0
200	200	Open	400	600	230	OT200KLAA3C	1SCA022280R2360	31.0
250	250	Open	400	600	230	OT250KLAA3C	1SCA022280R2520	36.0
315	315	Open	400	800	330	OT315KLAA3C	1SCA022280R2790	36.0
400	400	Open	400	800	330	OT400DLAA3C	1SCA022280R2950	39.0
570	570	Open	800	1000	330	OT630KLAA3C	1SCA022280R3170	48.0
720	720	Open	800	1000	330	OT800KLAA3C	1SCA022389R8310	48.0

\* IP65 available on request

OT125...800\_3C  
S00834A



OT125...800\_4C  
S00834A



### 4-pole front operated change-over switches

Steel sheet enclosed, IP54\*

Rated operational current [A]		Cable outlets/ side	Enclosure size [mm]			Type	Order number	Weight [kg]
AC22A ≤690V	AC23A ≤415V		W	H	D			

Delivery without cable entries, top and bottom sides are open. Cable entries for C-flanges or for ring-flanges have to be ordered separately, see accessories. These entries are used also for fixing the enclosed switches. Flanges and connection bars for parallel connection have to be ordered separately too. Includes pistol type black handle (I-O-II indication), PE-terminals.

160	135	Open	400	600	230	OT160KLAA4C	1SCA120697R1001	21.0
200	200	Open	400	600	230	OT200KLAA4C	1SCA022474R6930	31.0
250	250	Open	400	600	230	OT250KLAA4C	1SCA022474R7070	36.0
315	315	Open	400	800	330	OT315KLAA4C	1SCA022474R7150	36.0
400	400	Open	400	800	330	OT400DLAA4C	1SCA022292R6680	39.0
570	570	Open	800	1000	330	OT630KLAA4C	1SCA022475R1180	48.0
720	720	Open	800	1000	330	OT800KLAA4C	1SCA022580R4340	48.0

\* IP65 available on request

# Ordering information

## Plastic enclosed switch fuses

OS20...32P  
S01022A



### 3-pole front operated switch fuses, BS-type

#### Plastic enclosed, IP65

I <sub>th</sub> +40°C [A]	Rated operational current	Suitable for fuse type	Cable outlets/ side	Enclosure size [mm]			Type	Order number	Weight [kg]
	AC22A/ AC23A 500V [A/A]			BS 88	W	H			

Includes pistol-type black handle (I-0 and ON-OFF indication), N- and PE-terminals.

Delivery with blank cable entries.

20	20/20	A1	-	175	250	150	OS20PA1FUU3B	1SCA022280R9290	1.7
32	32/32	A1	-	175	250	150	OS32PA1FUU3B	1SCA022281R0460	1.7

Includes pistol-type black handle (I-0 and ON-OFF indication), N- and PE-terminals.

Cable knock-outs as standard, flanges have to be ordered separately.

32	32/32	A2-A3	II-flange	280	190	180	OS32GA3FCC3B	1SCA022281R1600	2.8
63	63/63	A2-A3	II-flange	280	190	180	OS63GA3FCC3B	1SCA022280R6780	2.8
125	135/100	A2-A3	II-flange	380	190	180	OS100GA4FCC3B	1SCA022280R8560	4.9
200	200/200	B1-B2	II-flange	380	560	280	OS200BB2FCC3B	1SCA022280R9110	13.6
315	315/315	B1-B3	II-flange	380	560	280	OS315BB3FCC3B	1SCA022281R0380	14.6
400	400/400	B1-B4	II-flange	380	560	280	OS400BB4FCC3B	1SCA022302R6630	14.6

OS32G...400  
S00835A



### 4-pole front operated switch fuses, BS-type

#### Plastic enclosed, IP65

I <sub>th</sub> +40°C [A]	Rated operational current	Suitable for fuse type	Cable outlets/ side	Enclosure size [mm]			Type	Order number	Weight [kg]
	AC22A/ AC23A 500V [A/A]			BS 88	W	H			

Includes pistol-type black handle (I-0 and ON-OFF indication), N- and PE-terminals.

Delivery with blank cable entries.

20	20/10	A1	-	175	250	150	OS20PA1FUU4B	1SCA022280R9880	1.8
32	32/15	A1	-	175	250	150	OS32PA1FUU4B	1SCA022281R1010	1.8

Includes pistol-type black handle (I-0 and ON-OFF indication), N- and PE-terminals.

Cable knock-outs as standard, flanges have to be ordered separately.

32	32/15	A2-A3	II-flange	280	190	180	OS32GA3FCC4B	1SCA022280R6190	3.0
63	63/30	A2-A3	II-flange	280	190	180	OS63GA3FCC4B	1SCA022280R7320	3.0
125	100/55	A2-A3	II-flange	380	190	180	OS100GA4FCC4B	1SCA022280R7910	5.2
200	200/110	B1-B2	II-flange	380	560	280	OS200BB2FCC4B	1SCA022280R9700	14.4

# Ordering information

## Plastic enclosed switch fuses

OS00-32...400  
S00835A



### 3-pole front operated switch fuses, DIN-type

#### Plastic enclosed, IP65

I <sub>th</sub> +40°C [A]	Rated operational current	Suitable for fuse type	Cable outlets/ side	Enclosure size [mm]			Type	Order number	Weight [kg]
	AC22A/ AC23A 500V [A/A]			DIN	W	H			
32	32/32	00	II-flange	280	190	180	OS00-32A00FCC3B	1SCA022315R1450	2.8
63	63/63	00	II-flange	280	190	180	OS00-63A00FCC3B	1SCA022315R1610	3.0
125	125/100	00	II-flange	280	380	180	OS00A00FCC3B	1SCA022315R2260	4.9
135	135/100	00	II-flange	380	560	180	OS00-160A00FCC3B	1SCA022315R2690	8.0
250	250/250	0-1	II-flange	380	560	280	OS250D1FCC3B	1SCA022315R3070	13.8
400	400/400	0-2	II-flange	380	560	280	OS400D2FCC3B	1SCA022315R3400	14.6

Includes pistol-type black handle (I-0 and ON-OFF indication), N- and PE-terminals.

Cable knock-outs as standard, flanges have to be ordered separately.

### 4-pole front operated switch fuses, DIN-type

#### Plastic enclosed, IP65

I <sub>th</sub> +40°C [A]	Rated operational current	Suitable for fuse type	Cable outlets/ side	Enclosure size [mm]			Type	Order number	Weight [kg]
	AC22A/ AC23A 500V [A/A]			DIN	W	H			
32	32/32	00	II-flange	280	190	180	OS00-32A00FCC4B	1SCA022315R1880	3.0
63	63/63	00	II-flange	280	190	180	OS00-63A00FCC4B	1SCA022315R2000	3.0
125	125/100	00	II-flange	280	380	180	OS00A00FCC4B	1SCA022315R2420	5.2
135	135/100	00	II-flange	380	560	180	OS00-160A00FCC4B	1SCA022315R2850	8.5
250	250/250	0-1	II-flange	380	560	280	OS250D1FCC4B	1SCA022315R3230	14.0
400	400/400	0-2	II-flange	560	760	250	OS400D2FCC4B	1SCA022628R6070	14.8

Includes pistol-type black handle (I-0 and ON-OFF indication), N- and PE-terminals.

Cable knock-outs as standard, flanges have to be ordered separately.

# Ordering information

## Steel sheet enclosed switch fuses

OS32...800  
S00507A



### 2-pole front operated switch fuses, BS-type

#### Steel sheet enclosed, IP65

I <sub>th</sub> +40°C [A]	Rated operational current	Suitable for fuse type	Cable outlets/ side	Enclosure size [mm]			Type	Order number	Weight [kg]
	AC22A/ AC23A 500V [A/A]	BS 88		W	H	D			
32	32/32	A2-A3	-	250	400	180	OS32GA3LUU2FZ	1SCA022320R7510	8.8
63	63/63	A2-A3	-	250	400	180	OS63GA3LUU2FZ	1SCA022320R7770	8.8
125	125/100	A2-A4	-	250	400	180	OS100GA4LUU2FZ	1SCA022320R7930	9.4
135	135/100	B1-B2	-	400	600	230	OS160BB2LUU2FZ	1SCA022320R8150	19.0
200	200/200	B1-B2	-	400	800	330	OS200BB2LUU2FZ	1SCA022320R8310	27.1
315	315/315	B1-B3	-	400	800	330	OS315BB3LUU2FZ	1SCA022320R8580	27.9
400	400/400	B1-B4	-	400	800	330	OS400BB4LUU2FZ	1SCA022320R8740	28.3
600	600/600	C1-C2	-	400	1000	330	OS630BC2LUU2FZ	1SCA022320R8910	39.0
720	720/720	C1-C3	-	400	1000	330	OS800BC3LUU2FZ	1SCA022320R9120	59.3

Includes pistol-type black handle (I-0 and ON-OFF indication), N- and PE-terminals.

Delivery with blank cable entries.



# Ordering information

## Steel sheet enclosed switch fuses

OS20...32  
S00824A



### 3-pole front operated switch fuses, BS-type

#### Steel sheet enclosed, IP54

I <sub>th</sub> +40°C [A]	Rated operational current	Suitable for fuse type	Cable outlets/ side	Enclosure size [mm]			Type	Order number	Weight [kg]
	AC22A/ AC23A 500V [A/A]	BS 88	A1 2xø25+ø16	W	H	D			
20	20/20	A1	2xø25+ø16	233	350	140	OS20PA1LMM3B	1SCA022281R1510	4.0
32	32/32	A1	2xø25+ø16	233	350	140	OS32PA1LMM3B	1SCA022281R2670	4.0

Includes pistol-type black handle (I-0 and ON-OFF indication), N- and PE-terminals.

Cable knock-outs as standard, compression glands have to be ordered separately.

OS20...800  
S00807A



### 4-pole front operated switch fuses, BS-type

#### Steel sheet enclosed, IP54

I <sub>th</sub> +40°C [A]	Rated operational current	Suitable for fuse type	Cable outlets/ side	Enclosure size [mm]			Type	Order number	Weight [kg]
	AC22A/ AC23A 500V [A/A]	BS 88	A1 2xø25+ø16	W	H	D			
20	20/20	A1	2xø25+ø16	233	350	140	OS20PA1LMM4B	1SCA022281R2080	4.1
32	32/32	A1	2xø25+ø16	233	350	140	OS32PA1LMM4B	1SCA022281R3210	4.1

Includes pistol-type black handle (I-0 and ON-OFF indication), N- and PE-terminals.

Cable knock-outs as standard, compression glands have to be ordered separately.

# Ordering information

## Steel sheet enclosed switch fuses

OS20...800  
S00507A



### 3-pole front operated switch fuses, BS-type

#### Steel sheet enclosed, IP65

I <sub>th</sub> +40°C [A]	Rated operational current	Suitable for fuse type	Cable outlets/ side	Enclosure size [mm]			Type	Order number	Weight [kg]
	AC22A/ AC23A 500V [A/A]	BS 88		W	H	D			
20	20/20	A1	-	250	400	180	OS20PA1LUU3FZ	1SCA022320R8400	8.5
32	32/32	A1	-	250	400	180	OS32PA1LUU3FZ	1SCA022320R8660	8.5
32	32/32	A2-A3	-	250	400	180	OS32GA3LUU3FZ	1SCA022320R8820	9.2
63	63/63	A2-A3	-	250	400	180	OS63GA3LUU3FZ	1SCA022320R9040	9.2
125	125/100	A2-A4	-	250	400	180	OS100GA4LUU3FZ	1SCA022320R9210	9.8
135	135/100	B1-B2	-	400	600	230	OS160BB2LUU3FZ	1SCA022320R9470	19.4
200	200/200	B1-B2	-	400	800	330	OS200BB2LUU3FZ	1SCA022320R9630	28.3
315	315/315	B1-B3	-	400	800	330	OS315BB3LUU3FZ	1SCA022320R9800	29.1
400	400/400	B1-B4	-	400	800	330	OS400BB4LUU3FZ	1SCA022321R0050	29.5
600	600/600	C1-C2	-	400	1000	330	OS630BC2LUU3FZ	1SCA022321R0210	44.4
720	720/720	C1-C3	-	800	1000	330	OS800BC3LUU3FZ	1SCA022321R0480	65.0

Includes pistol-type black handle (I-0 and ON-OFF indication), N- and PE-terminals.

Delivery with blank cable entries.

### 4-pole front operated switch fuses, BS-type

#### Steel sheet enclosed, IP65

I <sub>th</sub> +40°C [A]	Rated operational current	Suitable for fuse type	Cable outlets/ side	Enclosure size [mm]			Type	Order number	Weight [kg]
	AC22A/ AC23A 500V [A/A]	BS 88		W	H	D			
20	20/20	A1	-	250	400	180	OS20PA1LUU4FZ	1SCA022321R0640	8.6
32	32/32	A1	-	250	400	180	OS32PA1LUU4FZ	1SCA022321R0810	8.6
32	32/32	A2-A3	-	250	400	180	OS32GA3LUU4FZ	1SCA022321R1020	9.4
63	63/63	A2-A3	-	250	400	180	OS63GA3LUU4FZ	1SCA022320R5990	9.4
125	125/100	A2-A4	-	250	400	180	OS100GA4LUU4FZ	1SCA022320R6110	10.3
135	135/100	B1-B2	-	400	600	230	OS160BB2LUU4FZ	1SCA022320R6370	19.9
200	200/200	B1-B2	-	400	800	330	OS200BB2LUU4FZ	1SCA022320R6530	29.2
315	315/315	B1-B3	-	400	800	330	OS315BB3LUU4FZ	1SCA022320R6700	29.9
400	400/400	B1-B4	-	400	800	330	OS400BB4LUU4FZ	1SCA022320R6960	30.4
600	600/600	C1-C2	-	800	1000	330	OS630BC2LUU4FZ	1SCA022320R7180	67.8
720	720/720	C1-C3	-	800	1000	330	OS800BC3LUU4FZ	1SCA022320R7340	71.0

Includes pistol-type black handle (I-0 and ON-OFF indication), N- and PE-terminals.

Delivery with blank cable entries.

# Ordering information

## Steel sheet enclosed switch fuses

OS00-32...800  
S00834A



### 3-pole front operated switch fuses, DIN-type

#### Steel sheet enclosed, IP54 and IP65

I <sub>th</sub> +40°C [A]	Rated operational current AC22A/ AC23A 500V [A/A]	Suitable for fuse type DIN	Cable outlets/ side	Enclosure size [mm]			Type	Order number	Weight [kg]
				W	H	D			

Delivery without cable entries, top and bottom sides are open. Cable entries for C-flanges or for ring-flanges have to be ordered separately, see accessories. These entries are used also for fixing the enclosed switches. Flanges have to be ordered separately too. Includes pistol-type black handle (I-O and ON-OFF indication), N- and PE-terminals.

#### IP54

32	32/32	00	Open	250	400	180	OS00-32A00LAA3B	1SCA022325R2560	9.2
63	63/63	00	Open	250	400	180	OS00-63A00LAA3B	1SCA022292R9600	9.2
125	125/100	00	Open	250	400	180	OS00A00LAA3B	1SCA022325R3110	9.8
135	135/100	00	Open	400	600	230	OS00-160A00LAA3B	1SCA022325R3530	17.8
250	250/250	0-1	Open	400	800	330	OS250D1LAA3B	1SCA022325R3960	28.6
400	400/400	0-2	Open	400	800	330	OS400D2LAA3B	1SCA022292R9860	29.6
600	600/600	3	Open	400	1000	330	OS630D3LAA3B	1SCA022325R4510	43.4
720	720/720	3	Open	800	1000	330	OS800D3LAA3B	1SCA022325R4930	65.0

#### IP65

32	32/32	00	Open	250	400	180	OS00-32A00LAA3BZ	1SCA022325R2720	9.2
63	63/63	00	Open	250	400	180	OS00-63A00LAA3BZ	1SCA022325R2990	9.2
125	125/100	00	Open	250	400	180	OS00A00LAA3BZ	1SCA022325R3370	9.8
135	135/100	00	Open	400	600	230	OS00-160A00LAA3BZ	1SCA022325R3700	17.8
250	250/250	0-1	Open	400	800	330	OS250D1LAA3BZ	1SCA022325R4180	28.6
400	400/400	0-2	Open	400	800	330	OS400D2LAA3BZ	1SCA022325R4340	29.6
600	600/600	3	Open	400	1000	330	OS630D3LAA3BZ	1SCA022325R4770	43.4
720	720/720	3	Open	800	1000	330	OS800D3LAA3BZ	1SCA022325R5150	65.0

# Ordering information

## Steel sheet enclosed switch fuses

OS00-32...800  
S00834A



### 4-pole front operated switch fuses, DIN-type

#### Steel sheet enclosed, IP54 and IP65

I <sub>th</sub> +40°C [A]	Rated operational current	Suitable for fuse	Cable type outlets/ side	Enclosure size [mm]			Type	Order number	Weight [kg]
	500V [A/A]	AC22A/ AC23A	DIN	W	H	D			

Delivery without cable entries, top and bottom sides are open. Cable entries for C-flanges or for ring-flanges have to be ordered separately, see accessories. These entries are used also for fixing the enclosed switches.

Flanges have to be ordered separately too. Includes pistol-type black handle (I-O and ON-OFF indication), N- and PE-terminals.

#### IP54

32	32/32	00	Open	250	400	180	OS00-32A00LAA4B	1SCA022325R5310	9.4
63	63/63	00	Open	250	400	180	OS00-63A00LAA4B	1SCA022325R5910	9.4
125	125/100	00	Open	250	400	180	OS00A00LAA4B	1SCA022320R6020	10.0
135	135/100	00	Open	400	600	230	OS00-160A00LAA4B	1SCA022320R6450	18.0
250	250/250	0-1	Open	400	800	330	OS250D1LAA4B	1SCA022320R6880	29.4
400	400/400	0-2	Open	400	800	330	OS400D2LAA4B	1SCA022320R7260	30.5
600	600/600	3	Open	800	1000	330	OS630D3LAA4B	1SCA022320R7690	67.8
720	720/720	3	Open	800	1000	330	OS800D3LAA4B	1SCA022320R8070	70.8

#### IP65

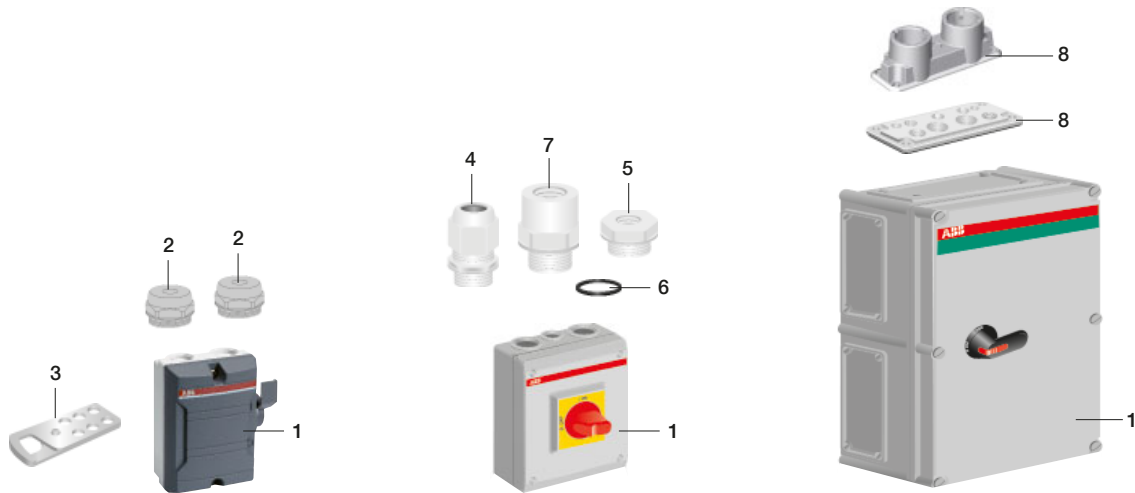
32	32/32	00	Open	250	400	180	OS00-32A00LAA4BZ	1SCA022325R5740	9.4
63	63/63	00	Open	250	400	180	OS00-63A00LAA4BZ	1SCA022320R5810	9.4
125	125/100	00	Open	250	400	180	OS00A00LAA4BZ	1SCA022320R6290	10.0
135	135/100	00	Open	400	600	230	OS00-160A00LAA4BZ	1SCA022320R6610	18.0
250	250/250	0-1	Open	400	800	330	OS250D1LAA4BZ	1SCA022320R7000	29.4
400	400/400	0-2	Open	400	800	330	OS400D2LAA4BZ	1SCA022320R7420	30.5
600	600/600	3	Open	800	1000	330	OS630D3LAA4BZ	1SCA022320R7850	67.8
720	720/720	3	Open	800	1000	330	OS800D3LAA4BZ	1SCA022320R8230	70.8

# Accessories

## Selection overview

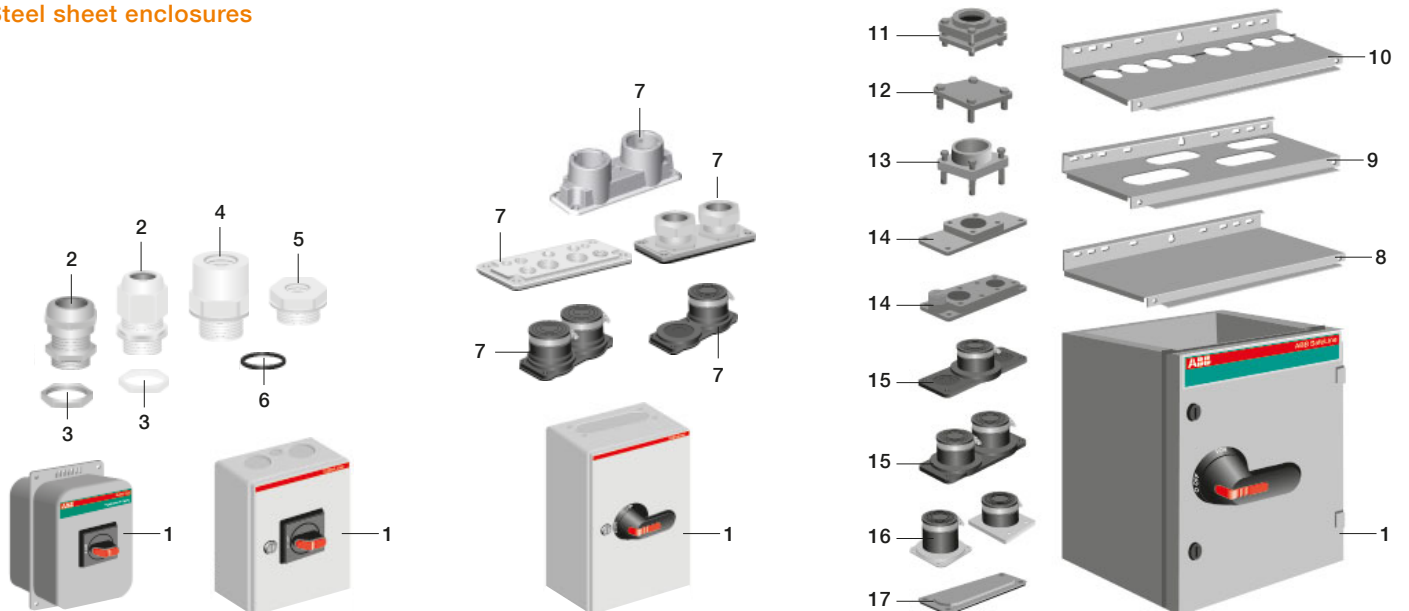
### Plastic enclosures

Side and front operated



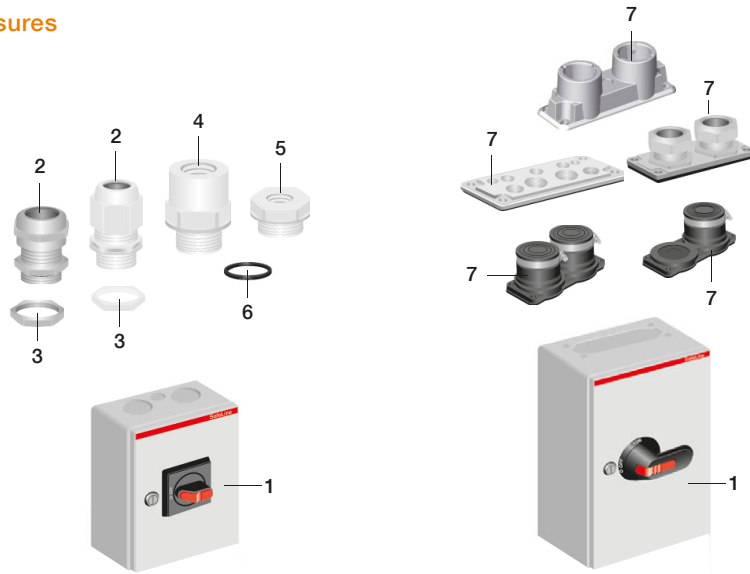
1 Enclosure | 2 Membrane gland/sealing plug (included) | 3 Padlock shackle L6 | 4 Compression gland | 5 Adapter (expander) | 6 Gasket | 7 Adapter (reducer) | 8 Flange

### Steel sheet enclosures



1 Enclosure | 2 Compression gland | 3 Locking nut | 4 Adapter (reducer) | 5 Adapter (expander) | 6 Gasket | 7 B-flange | 8 Blank cable entry | 9 Cable entry with C-flange entries | 10 Cable entry with ring-flange entries | 11 Ring-flange | 12 Ring-flange cover | 13 Plate extension for ring-flanges | 14 Ring-flange adapters for C-flange covers | 15 C-flange | 16 Cable inlets | 17 C-flange cover

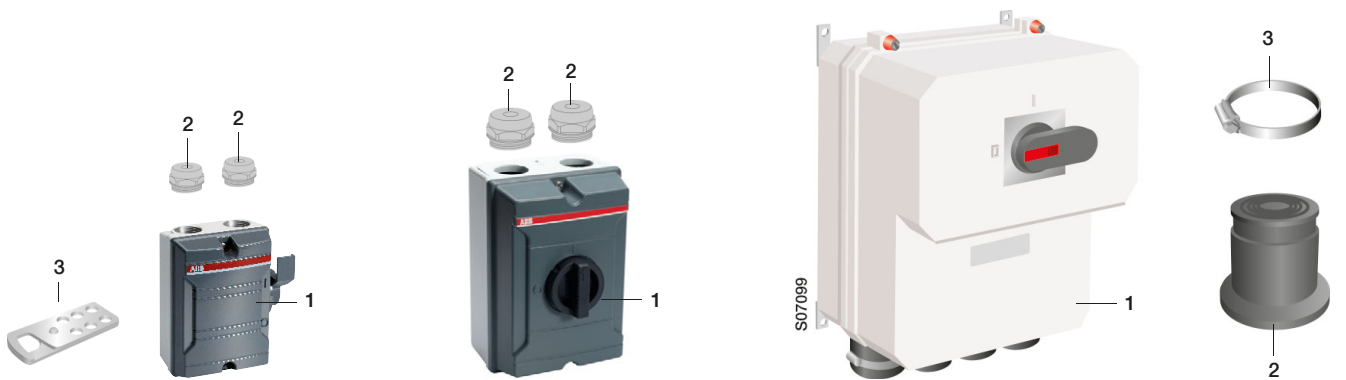
### Stainless steel sheet enclosures



1 Enclosure | 2 Compression gland | 3 Locking nut | 4 Adapter (reducer) | 5 Adapter (expander) | 6 Gasket | 7 B-flange

### Aluminum enclosures

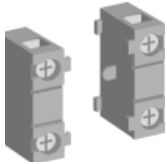
Side and front operated



1 Enclosure | 2 Membrane gland/sealing plug (included) | 3 Padlock shackle L6 | 2 Cable tightening / gland (included) | 3 Hose clamp (included)

# Ordering information Accessories

OA1G\_, OA7G10, OA3G01  
S00261A



## Auxiliary contacts

### Auxiliary contacts for enclosed switch-disconnectors

#### OT\_16...125F, KSF\_25...40, KSE\_25...125 and BW\_16...40

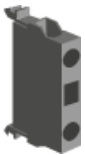
The auxiliary contacts n.o. open before the main contacts. See the maximum amount of auxiliary contacts on the table 'Auxiliary contacts / Enclosed Switches' on page 67.

For switches	Auxiliary contact	Mounting to the side of the switch	Type	Order number	Delivery	
					batch [pcs]	Weight [kg]
OT_16...125F, KSE63...125	1no	right	OA1G10	1SCA022353R4970	10	0.03
OT_16...125F, KSE63...125	1no	left	OA7G10	1SCA022673R1140	10	0.03
OT_16...125E, KSE63...125	1nc	left	OA1G01	1SCA022353R4890	10	0.03
BW_/KSE_16...40, KSF_25...40	1no	left	OBEA10	1SCA022190R3000	10	0.01
BW_/KSE_16...40, KSF_25...40	1nc	left	OBEA01	1SCA022190R3260	10	0.01
OT_16...125F	1no+1nc	both sides <sup>2)</sup>	OA2G11	1SCA022379R8100	10	0.03

OA2G11  
S01025A



OBEA\_  
S00040A



OZ XK\_  
S01248A



### Auxiliary contacts for switch-disconnectors OT125A...1600 , KSE3160...3630, OS\_<sup>1)</sup>

See the maximum amount of auxiliary contacts on the table 'Auxiliary contacts / Enclosed Switches' on page 67.

For switches	Auxiliary contact	Type	Order number	Delivery	
				batch [pcs]	Weight [kg]
OT125A...160_, KSE3160-3250	1no	OBEA10	1SCA022190R3000	10	0.02
OT125A...160_, KSE3160-3250	1no	OBEA10AU	1SCA022185R3310	10	0.02
OT200...1600, OS_	1no	OA1G10	1SCA022353R4970	10	0.03
OT125A...160_, KSE3160	1nc	OBEA01	1SCA022190R3260	10	0.02
OT125A...160_, KSE3160	1nc	OBEA01AU	1SCA022185R3730	10	0.02
OT200...1600, OS_	1nc	OA3G01	1SCA022456R7410	10	0.03
KSE3315-3250	1no+1nc	OZ XK12	2CMA144521R1000	1	0.12
KSE3500-3630	1no+1nc	OZ XK1	2CMA144522R1000	1	0.12

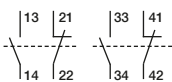
<sup>1)</sup> Types \_AU for extremely difficult circumstances, even at low voltages. The contacts are gold plated.

<sup>2)</sup> Not mountable on the side as the fourth pole.

1 no      1 nc



1 no + 1 nc



### Technical data of auxiliary contacts:

		OA_	OBEA_ and OZ XK_
Protection class		IP 20	IP 20
Rated thermal current $I_{th}$ / Insulation voltage		16 A / 690 V	10 A / 690 V
Cable cross section, max. / min.		2 x 2.5 / 0.75 mm <sup>2</sup>	2 x 2.5 / 0.5 mm <sup>2</sup>
Operational current in different voltages, (IEC 60947-5-1)			
AC-15	230 V	6 A	-
	400 V / 415 V	4 A	-
	690 V	2 A	-
AC-12	120 V / 240 V	-	8 A / 6 A
	400 / 415 V	-	4 A
	480 / 500 V	-	3 A
	690 V	-	2 A
DC-12	24 V / 72 V	10 A / 4 A	5 A / 1,9 A
	125 V / 250 V	2 A / 0,55 A	1,1 A / 0,55 A
	440 V / 500 V	0,1 A / -	0,31 A / 0,27 A
	600 V	-	0,2 A



# Ordering information

## Accessories

**OZXA32**  
S01469A



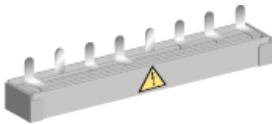
**OZXA33**  
S01470A



**OZXA38**  
S02078A



**OZXA39**  
S02077A



**OTZC\_**  
S02185A



**OTZR\_**  
S07120



### Parallel connection kits for change-over switches

For switches	Number of poles	Max. cable size [mm <sup>2</sup> ]	Type	Order number	Weight [kg]
--------------	-----------------	------------------------------------	------	--------------	-------------

#### Connection bars

Finger protected connection bars for parallel connection of incoming or outgoing terminals. The bars accept additional cables, the maximum size is stated below.

OT16...32E_3C	6 (fine stranded), 10 (stranded)		OZXA33	1SCA022685R0310	0.02
OT16...32E_4C	6 (fine stranded), 10 (stranded)		OZXA32	1SCA022683R4110	0.03
OT45...63E_3C		25	OZXA38	1SCA022790R3740	0.06
OT45...63E_4C		25	OZXA39	1SCA022785R2490	0.09

#### Bridging bars

The bridging bars provide a connection link either on the incoming or outgoing side of the change-over switch.

OT200...250	3		OTZC13	1SCA022767R6910	0.60
	4		OTZC14	1SCA022767R7040	0.80
OT315...400	3		OTZC23	1SCA022767R7120	0.60
	4		OTZC24	1SCA022767R7210	0.80
OT630...800	3		OTZC33	1SCA022785R7020	1.00
	4		OTZC34	1SCA022785R7110	1.30

#### Reversing bars

A reversing switch can be built up by using phase sequence bars in two phases. The kit includes two phase sequence conversion bars. The missing bridging bars must be ordered separately. For example 3-pole switches: one 4-pole standard bridging bar kit is required (one bar for the reversing side, three bars for the other side).

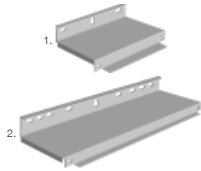
OT160...250_C			OTZR1	1SCA100352R1001	0.3
OT315...400_C			OTZR2	1SCA104647R1001	0.3
OT600...800_C			OTZR3	1SCA100355R1001	0.4

# Ordering information

## Enclosure accessories

### OEZXP\_\_0

1. S00512A, 2. S00808A



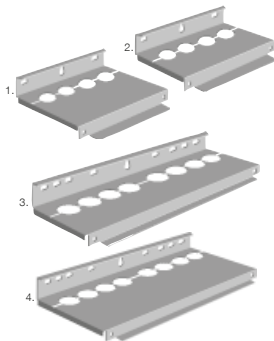
### Cable entries for steel sheet enclosures

These cable entries are also used for fixing the enclosed switches. The flanges have to be ordered separately.

Size of cable entry W x D [mm]	Number of C-flange entries [pcs]	Number of ring-flange entries [pcs]	Type	Order number	Weight [kg]
-----------------------------------	----------------------------------	-------------------------------------	------	--------------	-------------

### OEZXP\_\_R

1. S00810A, 2. S00811A, 3. S00812A, 4. S00813A



#### Blank entries, no flange entries

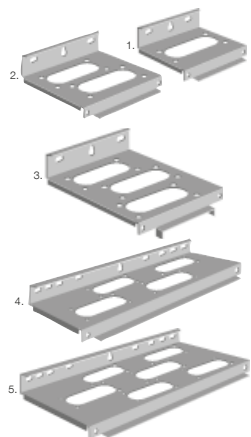
250x180	-	-	OEZXP120 <sup>1)</sup>	1SCA022277R2350	0.8
400x230	-	-	OEZXP240	1SCA022277R2780	1.5
400x330	-	-	OEZXP340	1SCA022277R3320	2.0
800x230	-	-	OEZXP280	1SCA022277R3910	3.0
800x330	-	-	OEZXP380	1SCA022277R4720	4.0

#### Cable entries with ring-flange entries, divided <sup>2)</sup>

400x230	-	4	OEZXP24R	1SCA022277R3160	1.6
400x330	-	4	OEZXP34R	1SCA022277R3750	2.1
800x230	-	8	OEZXP28R	1SCA022277R4560	3.2
800x330	-	8	OEZXP38R	1SCA022277R5020	4.2

### OEZXP\_\_C

1. S00814A, 2. S00815A, 3. S00817A, 4. S00816A, 5. S00818A



#### Cable entries with C-flange entries, compact <sup>2)</sup>

250x180	1	-	OEZXP120C <sup>1)</sup>	1SCA022338R5360	0.8
400x230	2	-	OEZXP240C	1SCA022338R5520	1.7
400x330	3	-	OEZXP340C	1SCA022338R5790	2.3
800x230	4	-	OEZXP280C	1SCA022338R5950	3.4
800x330	6	-	OEZXP380C	1SCA022338R6170	4.5

#### Cable entry gasket set for IP65 switches

For IP65 switches only, to seal up the cable entry	OEZXX2	1SCA022281R5340
----------------------------------------------------	--------	-----------------

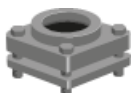
<sup>1)</sup> Includes knock-outs ø 10, 12.5, 20.5 and 25.5

<sup>2)</sup> Includes knock-outs ø 10, 12.5, 20.5, 25.5 and 32.5

# Ordering information

## Enclosure accessories

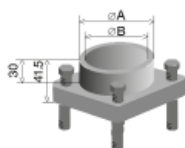
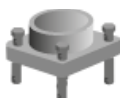
OEZXR1\_  
S00514A



OEZXR0\_  
S00515A



OEZXX1\_  
S00952A



### Cable flanges for steel sheet enclosures

#### Ring-flanges for different cable diameters

Outside diameter of cable [mm]	Suitable for cable entries	Type	Order number	Weight [kg]
22...35	OEZXP_R	OEZXR134	1SCA022277R5610	0.45
31...44	OEZXP_R	OEZXR143	1SCA022277R5880	0.40
39...51	OEZXP_R	OEZXR150	1SCA022277R6000	0.35
46...59	OEZXP_R	OEZXR158	1SCA022277R6260	0.30

#### Ring-flange covers with knock-out openings

Knock-out size $\varnothing$ / [mm]	Suitable for cable entries	Type	Order number	Weight [kg]
20.5	OEZXP__R	OEZXR020	1SCA022656R8130	0.16
22.5	OEZXP__R	OEZXR023	1SCA022277R5290	0.16
25.5	OEZXP__R	OEZXR025	1SCA022656R8120	0.16
37	OEZXP__R	OEZXR037	1SCA022277R5450	0.16
40.5	OEZXP__R	OEZXR040	1SCA022656R8300	0.16

#### Plate extension for ring-flanges

Screws are included in the delivery.

With a plate extension the shrinkable hose can be mounted around the ring-flange and the cable.

Suitable for ring-flanges	Dimensions [mm]		Type	Order number	Weight [kg]
	A	B			
OEZXR134 and OEZXR143	49	43	OEZXX143R	1SCA022350R3820	0.18
OEZXR150 and OEZXR158	70	64	OEZXX158R	1SCA022350R3910	0.18

# Ordering information

## Enclosure accessories

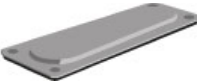
KIG-221-1  
S00997A



KIG-221-2  
S00996A



OEZXC 0  
S00846B



KIM-13-1  
S01395A



KIM-13-2  
S01396A



-LPBSIU  
S01775A



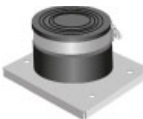
-LBSI2ALM40  
S01774A



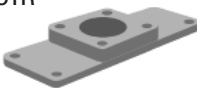
KIG-1  
S00993A



KIG-2  
S00994A



OEZXC1R  
S00846A



OEZXC2R  
S00847A



### Cable flanges for steel sheet enclosures

#### C and B flanges

Mounting set for the flange is included: screws, nuts and sealing gasket or a seal extruded into the flanges.

Suitable cable size $\phi$ / [mm]	For cable entries/ Compression glands	Type	Order number	Weight [kg]
<b>C-flanges for cable entries, steel</b>				
20...65	See the picture below	KIG-221-1	1SEH650052R6713	0.49
2x(20...65)		KIG-221-2	1SEH650052R6714	0.72
<b>C-flange cover, steel</b>				
-	OEZXP__C	OEZXC 0	1SCA022277R6420	0.25
<b>B-flanges for cable entries, steel</b>				
15...40	See the picture below	KIM13-1	1SEH655267R2050	0.20
2x(15...40)		KIM13-2	1SEH655267R2060	0.30
<b>B-flange cover, metallic, IP65</b>				
-	Fe, hot dip galvanized	LBFEU	1SCA022713R6040	0.16
-	Siluminium	LBSIU	1SCA022713R6120	0.20
<b>B-flanges for cable entries, metallic, compression glands, IP65</b>				
8...14	2xM20	LBSI2ALM20	1SCA022713R6210	0.26
10...16	4xM25	LBSI4ALM25	1SCA022713R6390	0.26
16...21	3xM32	LBSI3ALM32	1SCA022713R6550	0.26
18...27	2xM40	LBSI2ALM40	1SCA022713R6630	0.26
16...21 (M32)/10...16 (M25)	2xM32+1xM25	LBSI2ALM32+1ALM25	1SCA022722R3520	0.26
10...16	3xM25+ 1xM25 (Blank plug)	LBSI3ALM25+1TM25	1SCA022722R3610	0.22
<b>Cable inlet, metallic</b>				
15...45	See the picture below	KIG-1	1SEH650052R6711	0.22
20...65		KIG-2	1SEH650052R6712	0.40

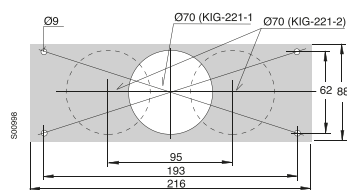
#### Ring-flange adapters for C-flange entries, Aluminum alloy

Mounting set for the flange is included: screws, nuts and a seal extruded into the flanges. Ring-flanges have to be ordered separately.

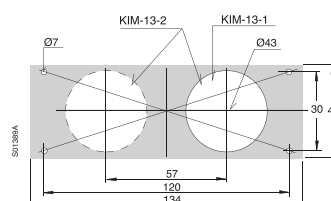
Remarks	Suitable for cable entries	Type	Order number	Weight [kg]
One hole for ring- flanges and knock-outs $\phi$ 21, $\phi$ 23, $\phi$ 29	OEZXP__C	OEZXC1R	1SCA022281R3560	0.53
Two holes for ring-flanges and one with Pg 16 threads	OEZXP__C	OEZXC2R	1SCA022281R3720	0.55

#### Drilling guide

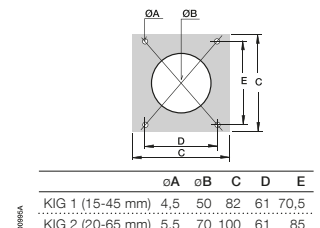
KIG-221-1 and KIG-221-2



KIM 13-1 and KIM 13-2



KIG-1 and KIG-2



# Ordering information

## Enclosure accessories

OEZXC11L  
S01373A



OEZXC12L  
S01374A



YMF-MB10861SET  
S01824A



YMF-MB10862SET  
S01823A



OEZXB12L  
S01372A



OEZXB11L  
S01371A



YMF-MB10215  
S00509A



YMF-MK10440  
S00523A



L6  
20MC340002F0006



### Cable flanges for plastic or steel sheet enclosures

Flange size	Outside diameter of cable [mm]	Knock-out of control cable [mm]	Type	Order number	Weight [kg]
-------------	--------------------------------	---------------------------------	------	--------------	-------------

#### II/C-flanges

For cable entries from bottom. Mounting set, flange and cable gasket included.

II / C	ø 30...55	2 x ø 20,5	OEZXC11L	1SCA022560R5570	0.40
II / C	2 x ø 30...60	2 x ø 20,5 + 2 x ø 10	OEZXC12L	1SCA022560R5730	0.53
Includes sealing gasket and fixing accessories					
II / C	2xM50 + 4xM20		YMF-MB10861SET	1SCA022715R9090	0.14
II / C	2xM32+2xM25+ 3xM20+2xM16		YMF-MB10862SET	1SCA022715R9170	0.12

#### I/B-flanges

For cable entries from bottom. Mounting set, flange and cable gasket included (OEZXB).

I / B	2 x ø 15...30	ø 12,5	OEZXB12L	1SCA022560R5140	0.12
I / B	ø 15...30	ø 12,5 + ø 20,5	OEZXB11L	1SCA022560R4920	0.10
I / B	Cover plate		YMF-MB10215	1SCA022191R2170	0.05
	Screw (plastic coated head)		YMF-MB10345	1SCA010352R7030	
	4 pcs /cover plate				
	Nut, 4 pcs /cover plate		FGNSUM6X	1SCA010234R6620	
I / B	Gasket for cover plate		YMF-MK10440	1SCA022660R7130	0.01

#### Other accessories for plastic enclosures

Description	Remarks	Type	Order number	Weight [kg]
Mounting lugs (set of 4pcs.)	Plastic, for wall mounting	YMF-MB10674	1SCA022229R0010	

### Padlock unit suitable for all side operated switches

Description	Type	Order number
Shackle for up to 6 padlocks	L6	2CMA144539R1000

# Ordering information

## Enclosure accessories

-ESKV20  
S01778A



-EMUG20  
S01779A



-EMSKV25/7  
S01777A



-EMMU25  
S01780A



### Compression glands, IP65

Thread	Cable DIA [mm]	Type	Order number	Weight [kg]
<b>Plastic</b>				
<b>Compression glands</b>				
M12	2-7	ESKV12	1SCA022715R5850	0.01
M16	4,5-10	ESKV16	1SCA022715R5930	0.01
M20	6-13	ESKV20	1SCA022715R6070	0.02
M25	9-17	ESKV25	1SCA022715R6150	0.02
M32	13-21	ESKV32	1SCA022715R6230	0.03
M40	14-28	ESKV40	1SCA022715R6310	0.06
M50	18-35	ESKV50	1SCA022715R6400	0.08
M63	34-48	ESKV63	1SCA022715R6580	0.10

#### Locking nuts

Needed if the enclosure holes are not provided with threads

M12		EMUG12	1SCA022715R8280	0.01
M16		EMUG16	1SCA022715R8360	0.01
M20		EMUG20	1SCA022715R8440	0.01
M25		EMUG25	1SCA022715R8520	0.01
M32		EMUG32	1SCA022715R8610	0.01
M40		EMUG40	1SCA022715R8790	0.01
M50		EMUG50	1SCA022715R8870	0.02
M63		EMUG63	1SCA022715R8950	0.02

### Metallic

#### Compression glands

M12	3...6	EMSKV12/5	1SCA022722R2710	0.02
M16	5...9	EMSKV16/5	1SCA022722R2800	0.03
M20	9...13	EMSKV20/6	1SCA022722R2980	0.04
M25	11...16	EMSKV25/7	1SCA022722R3010	0.06
M32	14...21	EMSKV32/8	1SCA022722R3100	0.08
M40	19...27	EMSKV40/8	1SCA022722R3280	0.08
M50	24...35	EMSKV50/9	1SCA022722R3360	0.10
M63	32...42	EMSKV63/10	1SCA022722R3440	0.12

#### Locking nuts

Needed if the enclosure holes are not provided with threads

M12		EMMU12	1SCA022722R1910	0.01
M16		EMMU16	1SCA022722R2040	0.01
M20		EMMU20	1SCA022722R2120	0.02
M25		EMMU25	1SCA022722R2210	0.02
M32		EMMU32	1SCA022722R2390	0.03
M40		EMMU40	1SCA022722R2470	0.04
M50		EMMU50	1SCA022722R2550	0.05
M63		EMMU63	1SCA022722R2630	0.06

# Ordering information

## Enclosure accessories

KRM\_/EPN\_ (reducer)  
S01866A



EPN\_/KEM\_ (expander)  
S01865A



EADR\_  
S07123



YJTB3  
S07150



### Adapters for M-threads

Thread	Type	Order number	Weight [kg]
<b>Plastic</b>			
M16 to M12	KRM16/12	1SCA022749R6090	0.01
M20 to M12	KRM20/12	1SCA022749R6170	0.01
M25 to M12	KRM25/12	1SCA022749R6980	0.01
M25 to M32	EPN650M25/M32	1SCA101159R1001	0.01
M32 to M40	EPN650M32/M40	1SCA101160R1001	0.01
M50 to M32	EPN550M50/M32	1SCA114803R1001	0.02
M50 to M40	EPN550M50/M40	1SCA104355R1001	0.02
M50 to M63	KEM50/63	1SCA114809R1001	0.02

### Metallic

M20 to M12	EPN720M20/M12	1SCA114806R1001	0.02
M20 to M16	EPN720M20/16	1SCA114807R1001	0.02
M25 to M20	EPN720M25/M20	1SCA109748R1001	0.02
M32 to M20	EPN720M32/M20	1SCA109749R1001	0.02
M40 to M25	EPN720M40/M25	1SCA114808R1001	0.02
M32 to M40	EPN740M32/M40	1SCA114810R1001	0.02

### Gasket

Thread/hole dia	Type	Order number	Weight [kg]
M12/ø12,5	EADR12	1SCA114804R1001	0.01
M16/ø16.5	EADR16	1SCA022749R6410	0.01
M20/ø20.5	EADR20	1SCA022749R6500	0.01
M25/ø25.5	EADR25	1SCA022749R6680	0.01
M32/ø32.5	EADR32	1SCA101165R1001	0.01
M50/ø50.5	EADR50	1SCA104353R1001	0.01

### Condensation water outlet IP44

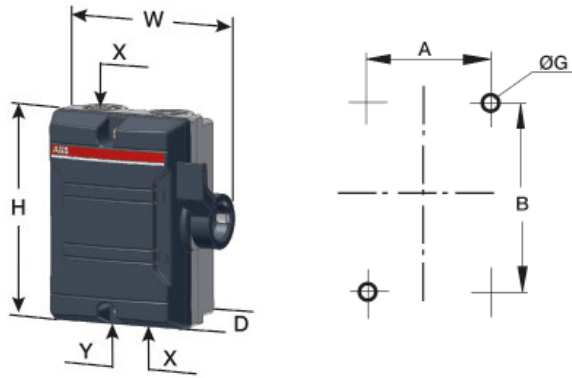
Hole diameter [mm]	Type	Order number	Weight [kg]
10	YJTB3	1SCA122170R1001	0.025



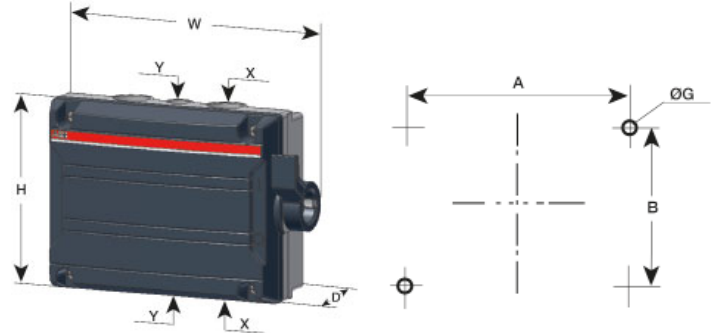
# Dimension drawings

## Plastic enclosed switch-disconnectors

BW225....425, BW240..440



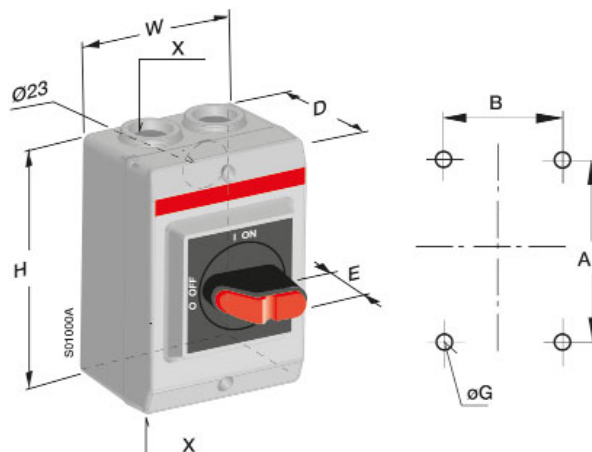
BW625...640



### Side operated switch-disconnectors

Type	Size			Cable entry		Fixing dimensions		
	W	H	D	X	Y	A	B	G
<b>2-pole, plastic enclosed switch-disconnectors</b>								
BW225 DP	111	130	60	2xM25	-	64	90	5
BW225 W DP	111	130	60	2xM25	-	64	90	5
BW240 DP	138	168	68	2xM32	1xM16	90	127	5
<b>3-pole, plastic enclosed switch-disconnectors</b>								
BW325 W TPN	111	130	60	2xM25	-	64	90	5
BW325 TPN	111	130	60	2xM25	-	64	90	5
BW325 Y TPN	111	130	60	2xM25	-	64	90	5
BW325 L TPN	111	130	62	2xM25	-	64	90	5
BW325 K TPN	111	130	62	2xM25	-	64	90	5
BW340 TPN	138	168	68	2xM32	1xM16	90	127	5
<b>4-pole, plastic enclosed switch-disconnectors</b>								
BW425 TPSN	111	130	60	2xM25	-	64	90	5
BW440 TPSN	138	168	68	2xM32	1xM16	90	127	5
<b>6-pole, plastic enclosed switch-disconnectors</b>								
BW625 TPN	190	130	65	2xø25	ø16	124	90	5
BW640 TPN	190	130	65	2xø25	ø16	124	90	5

OTP16B\_

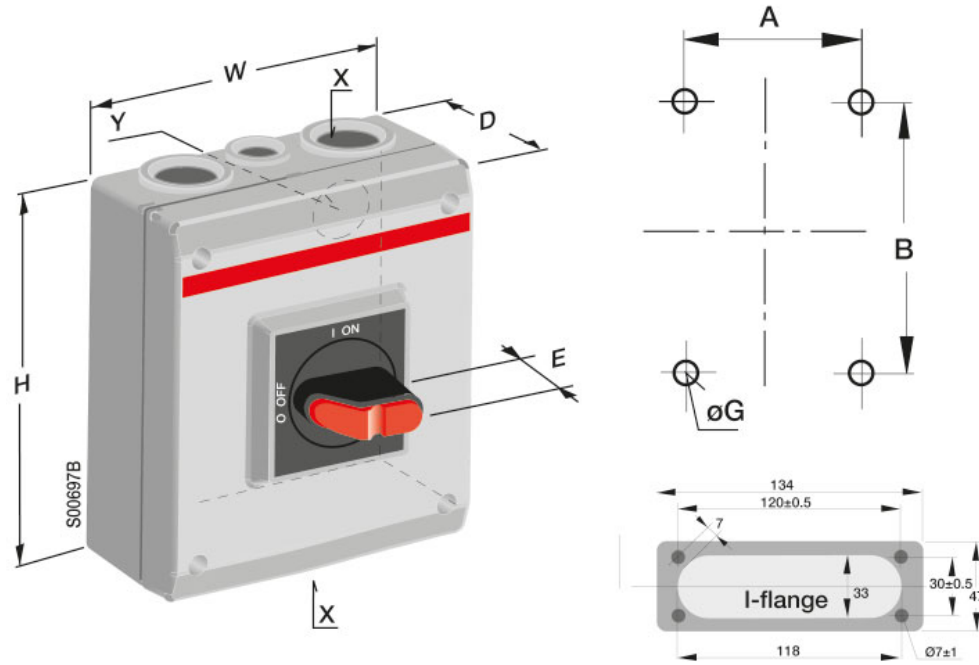


### Front operated switch-disconnectors

Type	Size				Cable entry	Fixing dimensions	
	H	W	D	E		X	B
<b>3-pole</b>							
OTP16_3M	120	85	60	33	2xM20	105.5	70.5
OTP16_3M25	120	85	60	33	2xM25	105.5	70.5
OTP16_3P	120	85	60	33	2xPg16	105.5	70.5
OTP16_3U	120	85	60	33	-	105.5	70.5
<b>DC solar switch</b>							
OTP16BA3MS	120	85	60	33	2xM20	105.5	70.5

# Dimension drawings

## Plastic enclosed switch-disconnectors

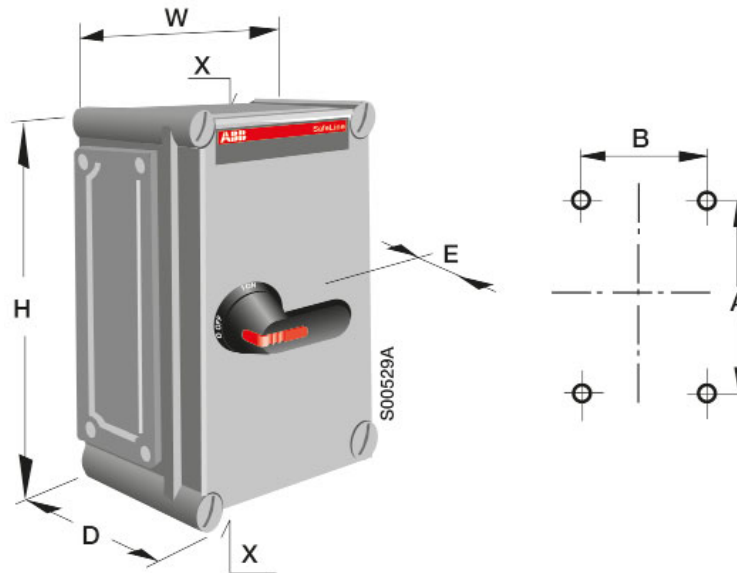


### Front operated switch-disconnectors

Type	Size				Cable entry		Fixing dimensions		
	E	W	H	D	X	Y	A	B	G
<b>3-pole</b>									
OTP 25...32_3M	33	130	150	60	2xM25+M16	2Xø29+ø19	115	136	5
OTP 25...32_3P	33	130	150	60	2XPg21+Pg11	2Xø29+ø19	115	136	5
OTP 45...63_3M	33	145	200	90	2xM32+M16	2Xø38+ø19	129.5	182.5	5
OTP 45...63_3P	33	145	200	90	2XPg29+Pg11	2Xø38+ø19	129.5	182.5	5
OTP80...125_3B	33	200	400	140	I-flange	Blank	176	376	6
OTP80...125_3U	33	200	400	140	Blank	Blank	176	376	6
OTP125_3M	33	200	400	140	2xM50+M16	Blank	176	376	6
<b>4-pole</b>									
OTP 16...32_4M	33	130	150	60	2xM25+M16	2Xø29+ø19	115	136	5
OTP 16...32_4P	33	130	150	60	2XPg21+Pg11	2Xø29+ø19	115	136	5
OTP 45...63_4M	33	145	200	90	2xM32+M16	2Xø38+ø19	129.5	182.5	5
OTP 45...63_4P	33	145	200	90	2XPg29+Pg11	2Xø38+ø19	129.5	182.5	5
OTP80...125_4B	33	200	400	140	I-flange	Blank	176	376	6
OTP80...125_4U	33	200	400	140	Blank	Blank	176	376	6
OTP125_4M	33	200	400	140	2xM50+M16	Blank	176	376	6
<b>6-pole</b>									
OTP 16...32_6M	33	130	150	85	2xM25+M16	2Xø29+ø19	115	136	5
OTP 16...32_6P	33	130	150	85	2XPg21+Pg11	2Xø29+ø19	115	136	5
OTP 45...63_6M	45	145	200	90	2xM32+M16	2Xø38+ø19	129.5	182.5	5
OTP 45...63_6P	45	145	200	90	2XPg29+Pg11	2Xø38+ø19	129.5	182.5	5
OTP80...125_6B	45	200	400	140	I-flange	Blank	176	376	6
OTP80...125_6U	45	200	400	140	Blank	Blank	176	376	6
OTP125_6M	45	200	400	140	2xM50+M16	Blank	176	376	6
<b>DC solar switches</b>									
OTP16BA4MS, OTP32BA3MS	33	130	150	60	2xM25+M16	2Xø29+ø19	115	136	5
OTP16...32BA8MS	33	130	150	85	2xM25+M16	2Xø29+ø19	115	136	5

# Dimension drawings

## Plastic enclosed switch-disconnectors and switch fuses



### Front operated switch-disconnectors

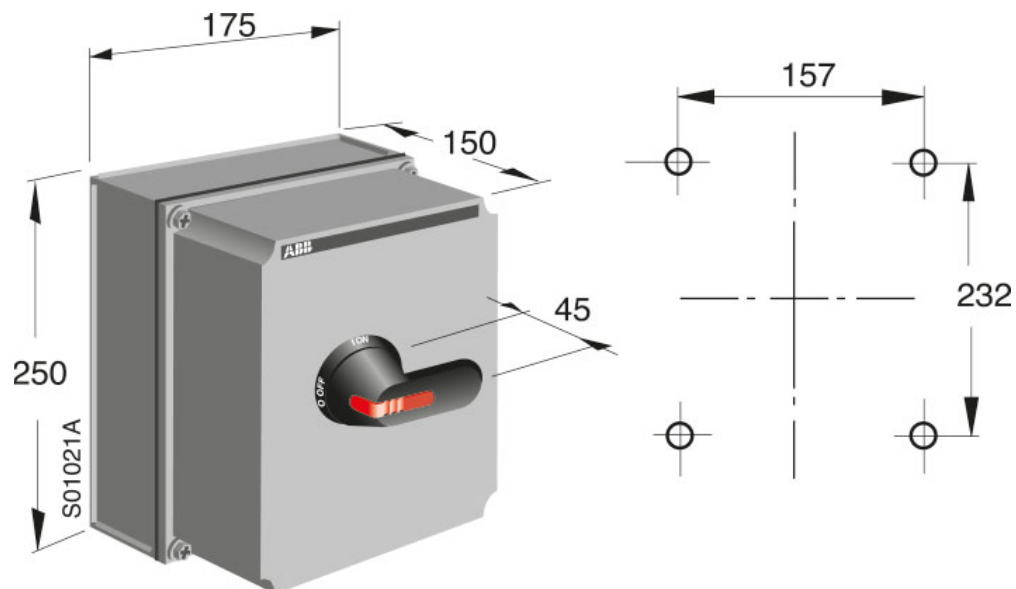
Type	Size				Cable entry	Fixing dimensions	
	H	W	D	E		X	A
<b>3- and 4-pole</b>							
OT160FCC_B	380	280	130	45	II	355	255
OT200KFCC_B	560	280	180	45	II	535	255
OT250KFCC_B	560	280	180	45	II	535	255
OT315KFCC_B	560	380	180	45	II	535	355
OT400DFCC_B	840	380	180	45	II	815	355
OT630KFCC_B	840	380	180	45	II	815	355
OT800KFCC_B	760	560	250	45	2xII	735	535

### Front operated switch fuses

Type	Size				Cable entry	Fixing dimensions	
	H	W	D	E		X	A
<b>BS-type</b>							
OS32GA2FCC3B	190	280	180	45	II	165	255
OS32GA2FCC4B	190	280	180	45	II	165	255
OS63GA3FCC3B	190	280	180	45	II	165	255
OS63GA3FCC4B	190	280	180	45	II	165	255
OS100GA4FCC3B	380	280	180	45	II	355	255
OS100GA4FCC4B	380	280	180	45	II	355	255
OS200BB2FCC3B	560	380	280	45	II	535	355
OS200BB2FCC4B	560	380	280	45	II	535	355
OS315BB3FCC3B	760	560	250	45	2 x II	735	535
OS400BB3FCC3B	760	560	250	45	2 x II	735	535
<b>DIN-type</b>							
OS00-32A00FCC3B	190	280	180	45	II	165	255
OS00-32A00FCC4B	190	280	180	45	II	165	255
OS00-63A00FCC3B	190	280	180	45	II	165	255
OS00-63A00FCC4B	190	280	180	45	II	165	255
OS00A00FCC3B	380	280	180	45	II	355	255
OS00A00FCC4B	380	280	180	45	II	355	255
OS00-160A00FCC3B	560	380	180	45	II	535	355
OS00-160A00FCC4B	560	380	180	45	II	535	355
OS250D1FCC3B	560	380	280	45	II	535	355
OS250D1FCC4B	760	560	250	45	2 x II	735	535
OS400D2FCC3B	760	560	250	45	2 x II	735	535

# Dimension drawings

## Plastic enclosed switch fuses

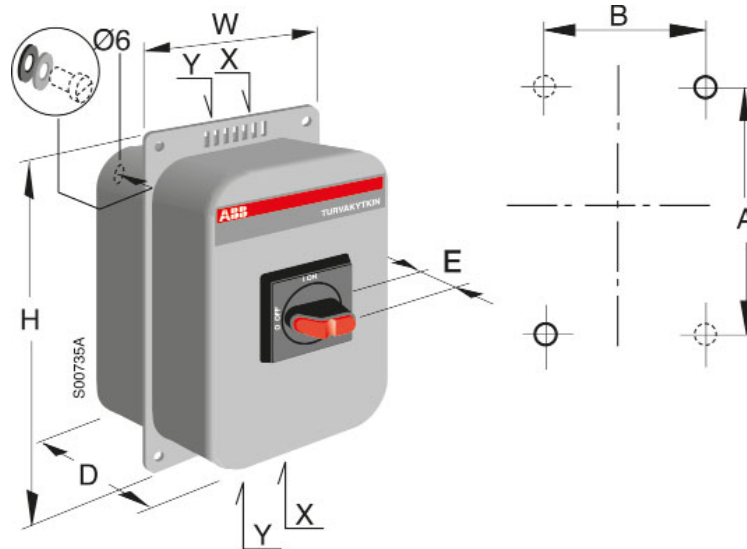


### Front operated switch fuses

Type
OS20PA1FUU3B
OS20PA1FUU4B
OS32PA1FUU3B
OS32PA1FUU4B

# Dimension drawings

## Steel sheet enclosed switch-disconnectors, change-over switches and switch fuses



### Front operated switch-disconnectors

Type	Size				Cable entry	Fixing dimensions	
	H	W	D	E		X	A
<b>3- and 4-pole</b>							
OT16ELMM_B	240	162	110	34.5	2Xø20+ø16	144	92
OT25ELMM_B	240	162	110	34.5	2Xø25+ø16	144	92
OT32ELMM_B	240	162	110	34.5	2Xø25+ø16	144	92
OT45ELMM_B	240	162	110	34.5	2Xø32+ø16	144	92
OT63ELMM_B	240	162	110	34.5	2Xø32+ø16	144	92
OT80ELBB_B	350	233	140	34.5	B-flange	250	160
OT125ELBB_B	350	233	140	34.5	B-flange	250	160
<b>6-pole</b>							
OT16ELMM6BZ	350	233	140	34.5	2Xø25+ø16	250	160
OT25ELMM6BZ	350	233	140	34.5	2Xø25+ø16	250	160
OT32ELMM6BZ	350	233	140	34.5	2Xø25+ø16	250	160
OT45ELMM6BZ	350	233	140	34.5	2Xø32+ø16	250	160
OT63ELMM6BZ	350	233	140	34.5	2Xø32+ø16	250	160

### Front operated change-over switches

Type	Size				Cable entry	Fixing dimensions	
	H	W	D	E		X	A
OT16ELMM3C	350	233	140	34.5	2Xø25+ø16	250	160
OT25ELMM3C	350	233	140	34.5	2Xø25+ø16	250	160
OT32ELMM3C	350	233	140	34.5	2Xø25+ø16	250	160
OT45ELMM3C	350	233	140	34.5	2Xø32+ø16	250	160
OT63ELMM3C	350	233	140	34.5	2Xø32+ø16	250	160

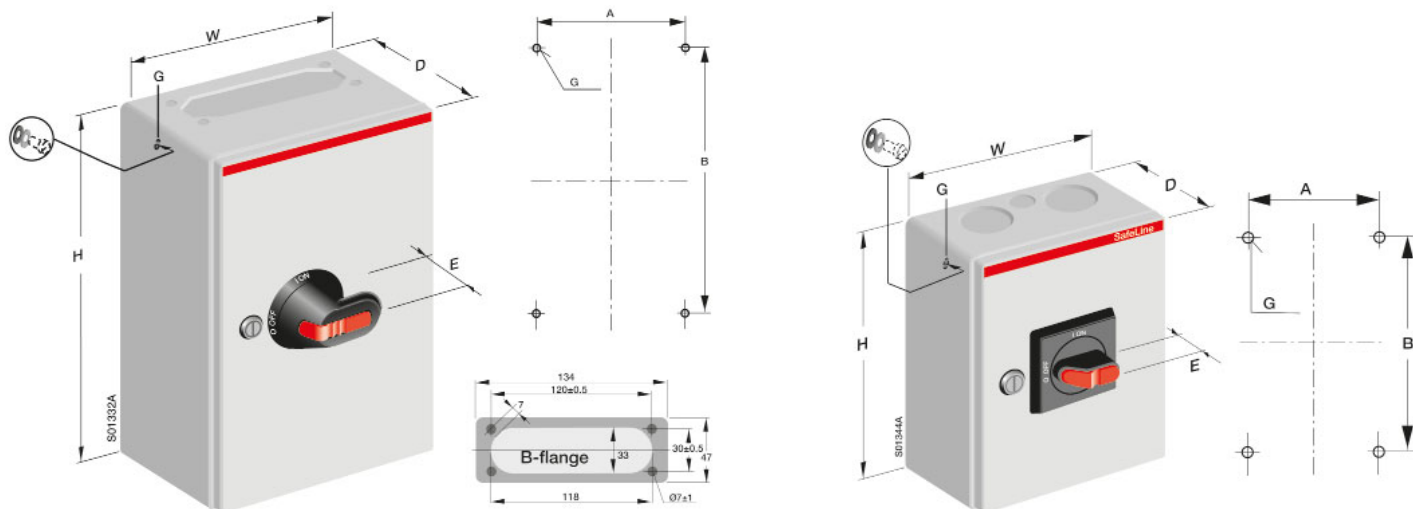
### Front operated switch fuses

Type	Size				Cable entry	Fixing dimensions	
	H	W	D	E		X	A
OS20PA1LMM3B	350	233	140	45	2Xø20+ø16	250	160
OS20PA1LMM4B	350	233	140	45	2Xø20+ø16	250	160
OS32PA1LMM3B	350	233	140	45	2Xø20+ø16	250	160
OS32PA1LMM4B	350	233	140	45	2Xø20+ø16	250	160

# Dimension drawings

## Steel sheet / stainless steel sheet

### enclosed switch-disconnectors

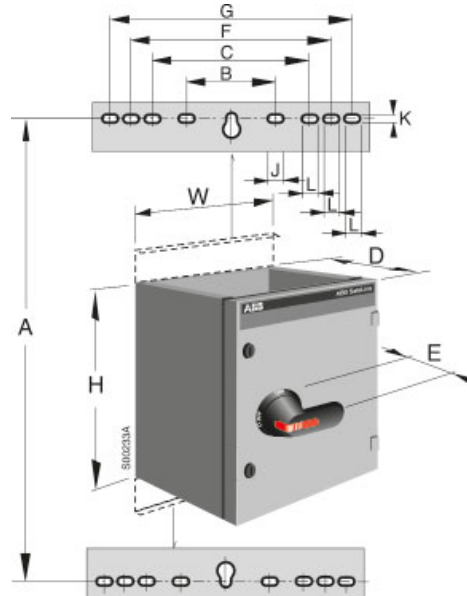


#### Front operated switch-disconnectors

Type	Size				Cable entry		Fixing dimensions		
	E	W	H	D	X	Y	A	B	G
<b>3-pole</b>									
OT_16B_3M	33	150	200	100	2xø25,5+ø16,5	2xø25,5+ø16,5	80	130	6,6
OT_25B_3M	33	150	200	100	2xø25,5+ø16,5	2xø25,5+ø16,5	80	130	6,6
OT_32B_3M	33	150	200	100	2xø25,5+ø16,5	2xø25,5+ø16,5	80	130	6,6
OT_45B_3M	33	150	200	100	2xø32,5+ø16,5	2xø32,5+ø16,5	80	130	6,6
OT_63B_3M	33	150	200	100	2xø32,5+ø16,5	2xø32,5+ø16,5	80	130	6,6
OT_100B_3B	45	200	300	135	B-flange	B-flange	130	230	6,5
OT_100B_3U	45	200	300	135	Blank	Blank	130	230	6,5
OT_125B_3B	45	200	300	135	B-flange	B-flange	130	230	6,5
OT_125B_3U	45	200	300	135	Blank	Blank	130	230	6,5
<b>4-pole</b>									
OT_16B_4M	33	150	200	100	2xø25,5+ø16,5	2xø25,5+ø16,5	80	130	6,6
OT_25B_4M	33	150	200	100	2xø25,5+ø16,5	2xø25,5+ø16,5	80	130	6,6
OT_32B_4M	33	150	200	100	2xø25,5+ø16,5	2xø25,5+ø16,5	80	130	6,6
OT_45B_4M	33	150	200	100	2xø32,5+ø16,5	2xø32,5+ø16,5	80	130	6,6
OT_63B_4M	33	150	200	100	2xø32,5+ø16,5	2xø32,5+ø16,5	80	130	6,6
OT_100B_4B	45	200	300	135	B-flange	B-flange	130	230	6,5
OT_100B_4U	45	200	300	135	Blank	Blank	130	230	6,5
OT_125B_4B	45	200	300	135	B-flange	B-flange	130	230	6,5
OT_125B_4U	45	200	300	135	Blank	Blank	130	230	6,5
<b>6-pole</b>									
OT_16B_6M	33	150	200	100	2xø25,5+ø16,5	2xø25,5+ø16,5	80	130	6,6
OT_25B_6M	33	150	200	100	2xø25,5+ø16,5	2xø25,5+ø16,5	80	130	6,6
OT_32B_6M	33	150	200	100	2xø25,5+ø16,5	2xø25,5+ø16,5	80	130	6,6
OT_45B_6B	45	200	300	135	B-flange	B-flange	130	230	6,5
OT_45B_6U	45	200	300	135	Blank	Blank	130	230	6,5
OT_63B_6B	45	200	300	135	B-flange	B-flange	130	230	6,5
OT_63B_6U	45	200	300	135	Blank	Blank	130	230	6,5

# Dimension drawings

## Steel sheet enclosed switch-disconnectors and change-over switches



### Front operated switch-disconnectors

Type	Size				Fixing dimensions					Fixing holes		
	H	W	D	E	A	B	C	F	G	J	K	L
<b>3- and 4-pole, switch-disconnectors</b>												
OT125AL	400	250	180	45	445	162	-	-	-	27	11	-
OT160EL	600	250	180	45	445	162	-	-	-	27	11	-
OT200KL	600	400	230	45	645	303	-	-	-	35	11	-
OT250KL	600	400	230	45	645	303	-	-	-	35	11	-
OT315KL	600	400	230	45	645	303	-	-	-	35	11	-
OT400DL	800	400	230	45	845	303	-	-	-	35	11	-
OT630KL	1000	400	230	45	1045	303	-	-	-	35	11	-
OT800KL	1000	400	230	45	1045	303	-	-	-	35	11	-
OT1000KL	1200	800	230	45	1045	303	512	612	712	35	11	27
OT1250KL	1200	800	330	45	1045	303	512	612	712	35	11	27
OT1600KL	1200	800	330	45	1045	303	512	612	712	35	11	27
<b>6-pole, switch-disconnectors</b>												
OT125AL	400	400	230	45	445	303	-	-	-	35	11	-
OT160EL	400	400	230	45	445	303	-	-	-	35	11	-
OT200KL	600	800	230	45	645	303	-	-	-	35	11	-
OT250KL	800	800	230	45	845	303	-	-	-	35	11	-
OT315KL	800	800	230	45	845	303	-	-	-	35	11	-
OT400DL	800	800	230	45	845	303	-	-	-	35	11	-
OT630KL	1000	800	230	45	1045	303	-	-	-	35	11	-
OT800KL	1000	800	230	45	1045	303	-	-	-	35	11	-

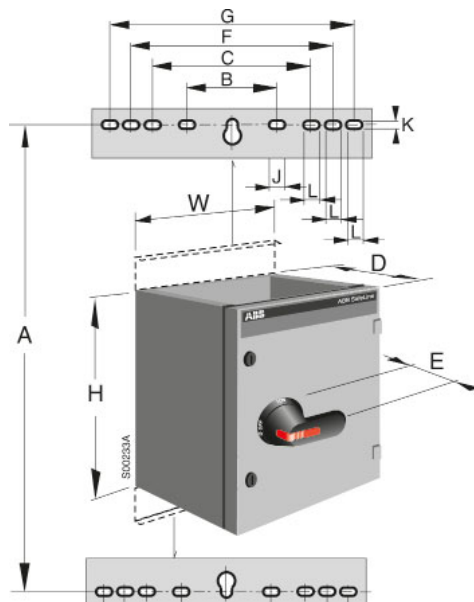
### Front operated change-over switches

Type	Size				Fixing dimensions					Fixing holes		
	H	W	D	E	A	B	C	F	G	J	K	L
OT160KL	600	400	230	45	645	303	-	-	-	35	11	-
OT200KL	600	400	230	45	645	303	-	-	-	35	11	-
OT250KL	600	400	230	45	845	303	-	-	-	35	11	27
OT315KL	800	400	330	45	845	303	-	-	-	35	11	27
OT400DL	800	400	330	45	845	303	-	-	-	35	11	27
OT630KL	1000	800	330	45	1045	303	512	612	712	35	11	27
OT800KL	1000	800	330	45	1045	303	512	612	712	35	11	27



# Dimension drawings

## Steel sheet enclosed switch fuses



### Front operated switch fuses

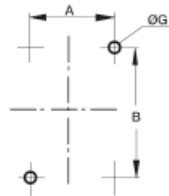
Type	Size				Fixing dimensions						Fixing holes		
	H	W	D	E	A	B	C	F	G	J	K	L	
<b>BS-type</b>													
<b>2-, 3-, and 4-pole</b>													
OS20PA1LUU	400	250	180	45	445	162	-	-	-	27	11	-	
OS32PA1LUU	400	250	180	45	445	162	-	-	-	27	11	-	
OS32GA3LUU	400	250	180	45	445	162	-	-	-	27	11	-	
OS63GA3LUU	400	250	180	45	445	162	-	-	-	27	11	-	
OS100GA4LUU	400	250	180	45	445	162	-	-	-	27	11	-	
OS160BB2LUU	600	400	230	45	645	303	-	-	-	35	11	-	
OS200BB2LUU	800	400	330	45	845	303	-	-	-	35	11	-	
OS315BB3LUU	800	400	330	45	845	303	-	-	-	35	11	-	
OS400BB4LUU	800	400	330	45	845	303	-	-	-	35	11	-	
OS630BC2LUU2FZ	1000	400	330	45	1045	303	-	-	-	35	11	-	
OS630BC2LUU3FZ	1000	400	330	45	1045	303	-	-	-	35	11	-	
OS630BC2LUU4FZ	1000	800	330	45	1045	303	512	612	712	35	11	27	
OS800BC2LUU2FZ	1000	400	330	45	1045	303	-	-	-	35	11	-	
OS800BC2LUU3FZ	1000	800	330	45	1045	303	512	612	712	35	11	27	
OS800BC2LUU4FZ	1000	800	330	45	1045	303	512	612	712	35	11	27	

Type	Size				Fixing dimensions						Fixing holes		
	H	W	D	E	A	B	C	F	G	J	K	L	
<b>DIN-type</b>													
<b>3- and 4-pole</b>													
OS00-32A00LAA	400	250	180	45	445	162	-	-	-	27	11	-	
OS00-63A00LAA	400	250	180	45	445	162	-	-	-	27	11	-	
OS00A00LAA	400	250	180	45	445	162	-	-	-	27	11	-	
OS00-160A00LAA	600	400	230	45	645	303	-	-	-	35	11	-	
OS250D1LAA	800	400	330	45	845	303	-	-	-	35	11	-	
OS400D2LAA	800	400	330	45	845	303	-	-	-	35	11	-	
OS630D3LAA3B	1000	400	330	45	1045	303	-	-	-	35	11	-	
OS630D3LAA4B	1000	800	330	45	1045	303	512	612	712	35	11	27	
OS800D3LAA	1000	800	330	45	1045	303	512	612	712	35	11	27	

# Dimension drawings

## Aluminum enclosed switch-disconnectors

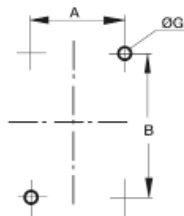
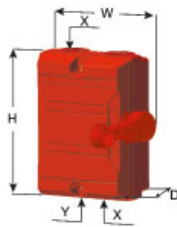
### KSE225...440



### Side operated switch-disconnectors

Type	Size			Cable entry		Fixing dimensions		
	W	H	D	X	Y	A	B	G
<b>2 pole-Aluminum enclosed switch-disconnectors</b>								
KSE225 DP	111	130	60	2xM25	-	64	90	5
KSE240 DP	138	168	68	2xM25	1xM16	90	127	5
<b>3 pole-Aluminum enclosed switch-disconnectors</b>								
KSE325 TPN	111	130	60	2xM25	-	64	90	5
KSE340 TPN	138	168	68	2xM32	1xM16	90	127	5
<b>4 pole-Aluminum enclosed switch-disconnectors</b>								
KSE425 TPSN	111	130	60	2xM25	-	64	90	5
KSE440 TPSN	138	168	68	2xM32	1xM16	90	127	5

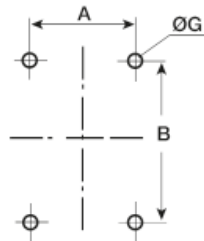
### KSF325...440



### Fireman's switches

Type	Size			Cable entry		Fixing dimensions		
	W	H	D	X	Y	A	B	G
<b>2 pole-Fireman switch, side operated in Aluminum</b>								
KSF225 DP	111	130	60	2xM25	-	64	90	5
<b>3 pole-Fireman switch, side operated in Aluminum</b>								
KSF325 TPN	111	130	60	2xM25	-	64	90	5
KSF325 TPN NO	111	130	60	2xM25	-	64	90	5
KSF340 TPN	138	168	68	2xM32	1xM16	90	127	5
<b>4 pole-Fireman switch, side operated in Aluminum</b>								
KSF425 TPSN	111	130	60	2xM25	-	64	90	5
KSF440 TPSN	138	168	68	2xM32	1xM16	90	127	5

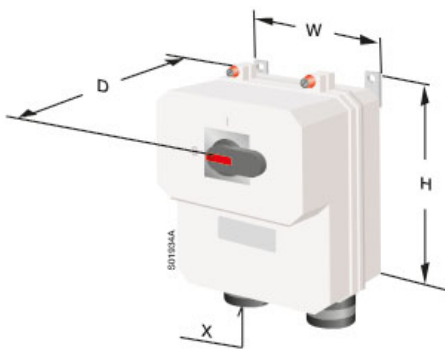
### KSE263...4100



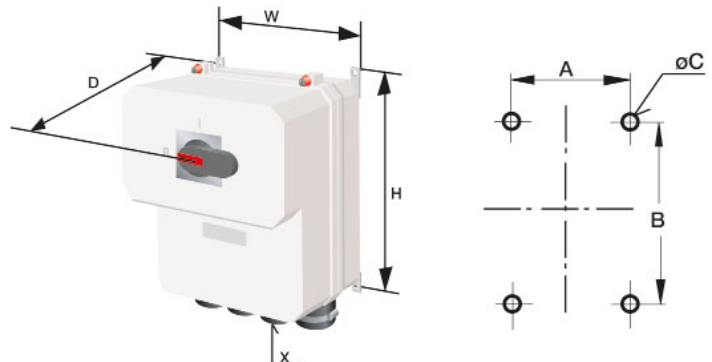
### Front operated switch-disconnectors

Type	Size			Cable entry		Fixing dimensions		
	W	H	D	X	Y	A	B	G
<b>3 pole-Enclosed switch-disconnector, front operated in Aluminum</b>								
KSE363 - 3125	160	230	145	2xM40	1xM16	124	190	5.3
<b>4 pole-Enclosed switch-disconnector, front operated in Aluminum</b>								
KSE463 - 480	160	230	145	2xM40	1xM16	124	190	5.3

### KSE3160



### KSE3250...3630



### Front operated switch-disconnectors

Type	H	W	D	X	A		B	C
					min/max	min/max		
KSE3160	405	400	234	2xØ18-48	340/414	331/405	8	
KSE3250/3315	555	465	322	4xØ30-68	395/490	485/580	10	
KSE3500/3630	655	565	322	4xØ30-68	495/590	585/680	10	

# Accessories

## Auxiliary contacts/Enclosed switches

Type	I[A]	Auxiliary contacts		Auxiliary contact/ type to add			Type	I[A]	Auxiliary contacts		Auxiliary contact/ type to add		
		incl. in standard delivery	max.	NO	NC	NO or NO+NC			incl. in standard delivery	max.	NO	NC	NO or NO+NC
KSF225 DP	25	-	1no or 1nc	OBEA10	OBEA01		OTP16BA3M	16	-	1no+1nc	OA1G10	OA1G01	
KSF325 TPN	25	-	1no or 1nc	OBEA10	OBEA01		OTP16BA3M25	16	-	1no+1nc	OA1G10	OA1G01	
KSF325 TPN NO	25	1no	1no or 1nc	OBEA10	OBEA01		OTP16BA3MS	16	-	1no+1nc	OA1G10	OA1G01	
KSF425 TPSN	25	-	1no or 1nc	OBEA10	OBEA01		OTP16BA3P	16	-	1no+1nc	OA1G10	OA1G01	
KSF340 TPN	40	-	1no or 1nc	OBEA10	OBEA01		OTP16BA4M	16	-	2no+2nc	OA1G10	OA1G01	
KSF440 TPSN	40	-	1no or 1nc	OBEA10	OBEA01		OTP16BA4MS	16	-	2no+2nc	OA1G10	OA1G01	
KSE 225 DP	25	-	1no or 1nc	OBEA10	OBEA01		OTP16BA4P	16	-	2no+2nc	OA1G10	OA1G01	
KSE 325 TPN	25	-	1no or 1nc	OBEA10	OBEA01		OTP16BA6M	16	-	1no+1nc	OA1G10	OA1G01	
KSE 425 TPSN	25	-	1no or 1nc	OBEA10	OBEA01		OTP16BA6M	16	-	2no	OA1G10	-	OA7G10
KSE 240 DP	40	-	1no or 1nc	OBEA10	OBEA01		OTP16BA6P	16	-	1no+1nc	OA1G10	OA1G01	
KSE 340 TPN	40	-	1no or 1nc	OBEA10	OBEA01		OTP16BA6P	16	-	2no	OA1G10	-	OA7G10
KSE 440 TPSN	40	-	1no or 1nc	OBEA10	OBEA01		OTP16BA8MS	16	-	1no+1nc	OA1G10	OA1G01	
KSE363 D/TPN	63	-	1no or 1nc	OA1G10	OA3G01		OTP16HB3M	16	-	1no+1nc	OA1G10	OA1G01	
KSE363 TPN	63	-	1no or 1nc	OA1G10	OA3G01		OTP16HB3M25	16	-	1no+1nc	OA1G10	OA1G01	
KSE463 TPN	63	-	1no or 1nc	OA1G10	OA3G01		OTP16HB3P	16	-	1no+1nc	OA1G10	OA1G01	
KSE380 TPN	80	-	1no or 1nc	OA1G10	OA3G01		OTP16HB3U	16	-	1no+1nc	OA1G10	OA1G01	
KSE480 TPN	80	-	1no or 1nc	OA1G10	OA3G01		BW225 DP	25	-	1no or 1nc	OBEA10	OBEA01	
KSE3125 TPN	125	-	1no or 1nc	OA1G10	OA3G01		BW225 W/DP	25	-	1no or 1nc	OBEA10	OBEA01	
KSE 3160	160	-	1no or 1nc	OA1G10	OA3G01		BW325 K/TPN	25	-	1no or 1nc	OBEA10	OBEA01	
KSE 3250	250	-	1no or 1nc	OBEA10	OBEA01		BW325 L/TPN	25	-	1no or 1nc	OBEA10	OBEA01	
KSE 3315	315	-	1no or 1nc	OBEA10	OBEA01		BW325 TPN	25	-	1no or 1nc	OBEA10	OBEA01	
KSE 3500	500	-	1no or 1nc	OBEA10	OBEA01		BW325 W/TPN	25	-	1no or 1nc	OBEA10	OBEA01	
KSE 3630	630	-	1no or 1nc	OBEA10	OBEA01		BW325 Y/TPN	25	-	1no or 1nc	OBEA10	OBEA01	
OS20PA1FUU3B	20	-	1no+1nc	OA1G10	OA3G01		BW425 TPSN	25	-	1no or 1nc	OBEA10	OBEA01	
OS20PA1FUU4B	20	-	1no+1nc	OA1G10	OA3G01		BW425 Y/TPSN	25	-	1no or 1nc	OBEA10	OBEA01	
OS00-32A00FCC3B	32	-	1no+1nc	OA1G10	OA3G01		BW625 TPN	25	-	1no or 1nc	OBEA10	OBEA01	
OS00-32A00FCC4B	32	-	1no+1nc	OA1G10	OA3G01		OTP25B3M	25	-	2no+2nc	OA1G10	OA1G01	
OS32GA3FCC3B	32	-	1no+1nc	OA1G10	OA3G01		OTP25B3P	25	-	2no+2nc	OA1G10	OA1G01	
OS32GA3FCC4B	32	-	1no+1nc	OA1G10	OA3G01		OTP25B4M	25	-	2no+2nc	OA1G10	OA1G01	
OS32PA1FUU3B	32	-	1no+1nc	OA1G10	OA3G01		OTP25B4P	25	-	2no+2nc	OA1G10	OA1G01	
OS32PA1FUU4B	32	-	1no+1nc	OA1G10	OA3G01		OTP25B6M	25	-	1no+1nc	OA1G10	OA1G01	
OS00-63A00FCC3B	63	-	1no+1nc	OA1G10	OA3G01		OTP25B6M	25	-	2no	OA1G10	-	OA7G10
OS00-63A00FCC4B	63	-	1no+1nc	OA1G10	OA3G01		OTP25B6P	25	-	1no+1nc	OA1G10	OA1G01	
OS63GA3FCC3B	63	-	1no+1nc	OA1G10	OA3G01		OTP25B6P	25	-	2no	OA1G10	-	OA7G10
OS63GA3FCC4B	63	-	1no+1nc	OA1G10	OA3G01		OTP25BA3M	25	-	2no+2nc	OA1G10	OA1G01	
OS00A00FCC3B	100	-	1no+1nc	OA1G10	OA3G01		OTP25BA3P	25	-	2no+2nc	OA1G10	OA1G01	
OS00A00FCC4B	100	-	1no+1nc	OA1G10	OA3G01		OTP25BA4M	25	-	2no+2nc	OA1G10	OA1G01	
OS100GA4FCC3B	100	-	1no+1nc	OA1G10	OA3G01		OTP25BA4P	25	-	2no+2nc	OA1G10	OA1G01	
OS100GA4FCC4B	100	-	1no+1nc	OA1G10	OA3G01		OTP25BA6M	25	-	1no+1nc	OA1G10	OA1G01	
OS00-160A00FCC3B	160	-	1no+1nc	OA1G10	OA3G01		OTP25BA6M	25	-	2no	OA1G10	-	
OS00-160A00FCC4B	160	-	1no+1nc	OA1G10	OA3G01		OTP25BA6P	25	-	1no+1nc	OA1G10	OA1G01	
OS200BB2FCC3B	200	-	3no+1nc	OA1G10	OA3G01		OTP25BA6P	25	-	2no	OA1G10	-	
OS200BB2FCC4B	200	-	3no+1nc	OA1G10	OA3G01		OTP32B3M	32	-	2no+2nc	OA1G10	OA1G01	
OS250D1FCC3B	250	-	3no+1nc	OA1G10	OA3G01		OTP32B3P	32	-	2no+2nc	OA1G10	OA1G01	
OS250D1FCC4B	250	-	3no+1nc	OA1G10	OA3G01		OTP32B4M	32	-	2no+2nc	OA1G10	OA1G01	
OS315BB3FCC3B	315	-	3no+1nc	OA1G10	OA3G01		OTP32B4P	32	-	2no+2nc	OA1G10	OA1G01	
OS400BB4FCC3B	400	-	3no+1nc	OA1G10	OA3G01		OTP32B6M	32	-	1no+1nc	OA1G10	OA1G01	
OS400D2FCC3B	400	-	3no+1nc	OA1G10	OA3G01		OTP32B6M	32	-	2no	OA1G10	-	
OS400D2FCC4B	400	-	3no+1nc	OA1G10	OA3G01		OTP32B6P	32	-	1no+1nc	OA1G10	OA1G01	
BW316 TPN	16	-	1no or 1nc	OBEA10	OBEA01		OTP32B6P	32	-	2no	OA1G10	-	
OTP16B3M	16	-	1no+1nc	OA1G10	OA1G01		OTP32BA3M	32	-	2no+2nc	OA1G10	OA1G01	
OTP16B3M25	16	-	1no+1nc	OA1G10	OA1G01		OTP32BA3MS	32	-	2no+2nc	OA1G10	OA1G01	
OTP16B3P	16	-	1no+1nc	OA1G10	OA1G01		OTP32BA3P	32	-	2no+2nc	OA1G10	OA1G01	
OTP16B4M	16	-	2no+2nc	OA1G10	OA1G01		OTP32BA4M	32	-	2no+2nc	OA1G10	OA1G01	
OTP16B4P	16	-	2no+2nc	OA1G10	OA1G01		OTP32BA4P	32	-	2no+2nc	OA1G10	OA1G01	
OTP16B6M	16	-	1no+1nc	OA1G10	OA1G01		OTP32BA6M	32	-	1no+1nc	OA1G10	OA1G01	
OTP16B6M	16	-	2no	OA1G10	-	OA7G10	OTP32BA6M	32	-	2no	OA1G10	-	

Type	I[A]	Auxiliary contacts		Auxiliary contact/ type to add		
		incl. in standard delivery	max.	NO	NC	NO+NC
OTP32BA8MS	32	-	1no+1nc	OA1G10	OA1G01	
BW240 DP	40	-	1no or 1nc	OBEA10	OBEA01	
BW340 TPN	40	-	1no or 1nc	OBEA10	OBEA01	
BW340 Y/TPN	40	-	1no or 1nc	OBEA10	OBEA01	
BW440 TPSN	40	-	1no or 1nc	OBEA10	OBEA01	
BW440 Y/TPSN	40	-	1no or 1nc	OBEA10	OBEA01	
BW640 TPN	40	-	1no or 1nc	OBEA10	OBEA01	
OTP45B3M	45	-	2no+2nc	OA1G10	OA1G01	
OTP45B3P	45	-	2no+2nc	OA1G10	OA1G01	
OTP45B4M	45	-	2no+2nc	OA1G10	OA1G01	
OTP45B4P	45	-	2no+2nc	OA1G10	OA1G01	
OTP45B6M	45	-	1no+1nc	OA1G10	OA1G01	
OTP45B6M	45	-	2no	OA1G10	-	
OTP45B6P	45	-	1no+1nc	OA1G10	OA1G01	
OTP45B6P	45	-	2no	OA1G10	-	
OTP45BA3M	45	-	2no+2nc	OA1G10	OA1G01	
OTP45BA3P	45	-	2no+2nc	OA1G10	OA1G01	
OTP45BA4M	45	-	2no+2nc	OA1G10	OA1G01	
OTP45BA4P	45	-	2no+2nc	OA1G10	OA1G01	
OTP45BA6M	45	-	1no+1nc	OA1G10	OA1G01	
OTP45BA6M	45	-	2no	OA1G10	-	
OTP45BA6P	45	-	1no+1nc	OA1G10	OA1G01	
OTP45BA6P	45	-	2no	OA1G10	-	
OTP63B3M	63	-	2no+2nc	OA1G10	OA1G01	
OTP63B3P	63	-	2no+2nc	OA1G10	OA1G01	
OTP63B4M	63	-	2no+2nc	OA1G10	OA1G01	
OTP63B4P	63	-	2no+2nc	OA1G10	OA1G01	
OTP63B6M	63	-	1no+1nc	OA1G10	OA1G01	
OTP63B6M	63	-	2no	OA1G10	-	
OTP63B6P	63	-	1no+1nc	OA1G10	OA1G01	
OTP63B6P	63	-	2no	OA1G10	-	
OTP63BA3M	63	-	2no+2nc	OA1G10	OA1G01	
OTP63BA3P	63	-	2no+2nc	OA1G10	OA1G01	
OTP63BA4M	63	-	2no+2nc	OA1G10	OA1G01	
OTP63BA4P	63	-	2no+2nc	OA1G10	OA1G01	
OTP63BA6M	63	-	1no+1nc	OA1G10	OA1G01	
OTP63BA6M	63	-	2no	OA1G10	-	
OTP63BA6P	63	-	1no+1nc	OA1G10	OA1G01	
OTP63BA6P	63	-	2no	OA1G10	-	
OTP125B3B	125	-	2no+2nc	OA1G10	OA1G01	
OTP125B3M	125	-	2no+2nc	OA1G10	OA1G01	
OTP125B3U	125	-	2no+2nc	OA1G10	OA1G01	
OTP125B4B	125	-	2no+2nc	OA1G10	OA1G01	
OTP125B4M	125	-	2no+2nc	OA1G10	OA1G01	
OTP125B4U	125	-	2no+2nc	OA1G10	OA1G01	
OTP125B6B	125	-	2no+2nc	OA1G10	OA1G01	
OTP125B6B	125	-	2no	OA1G10	-	
OTP125B6M	125	-	2no+2nc	OA1G10	OA1G01	
OTP125B6M	125	-	2no	OA1G10	-	
OTP125B6U	125	-	2no+2nc	OA1G10	OA1G01	
OTP125B6U	125	-	2no	OA1G10	-	
OTP125BA3B	125	-	2no+2nc	OA1G10	OA1G01	
OTP125BA3M	125	-	2no+2nc	OA1G10	OA1G01	
OTP125BA3U	125	-	2no+2nc	OA1G10	OA1G01	
OTP125BA4B	125	-	2no+2nc	OA1G10	OA1G01	
OTP125BA4M	125	-	2no+2nc	OA1G10	OA1G01	
OTP125BA4U	125	-	2no+2nc	OA1G10	OA1G01	
OTP125BA6B	125	-	2no+2nc	OA1G10	OA1G01	
OTP125BA6B	125	-	2no	OA1G10	-	
OTP125BA6M	125	-	2no+2nc	OA1G10	OA1G01	
OTP125BA6M	125	-	2no	OA1G10	-	
OTP125BA6U	125	-	2no+2nc	OA1G10	OA1G01	
OT160EFCC3B	160	-	2no+2nc	OBEA10	OBEA01	
OT160EFCC3BA	160	-	2no+2nc	OBEA10	OBEA01	
OT160EFCC4B	160	-	2no+2nc	OBEA10	OBEA01	
OT160EFCC4BA	160	-	2no+2nc	OBEA10	OBEA01	
OT200KFCC3B	200	-	2no+2nc	OA1G10	OA3G01	
OT200KFCC3BA	200	-	2no+2nc	OA1G10	OA3G01	

Type	I[A]	Auxiliary contacts		Auxiliary contact/ type to add		
		incl. in standard delivery	max.	NO	NC	NO+NC
OT250KFCC3B	250	-	2no+2nc	OA1G10	OA3G01	
OT250KFCC3BA	250	-	2no+2nc	OA1G10	OA3G01	
OT250KFCC4B	250	-	2no+2nc	OA1G10	OA3G01	
OT250KFCC4BA	250	-	2no+2nc	OA1G10	OA3G01	
OT315KFCC3B	315	-	2no+2nc	OA1G10	OA3G01	
OT315KFCC3BA	315	-	2no+2nc	OA1G10	OA3G01	
OT315KFCC4B	315	-	2no+2nc	OA1G10	OA3G01	
OT315KFCC4BA	315	-	2no+2nc	OA1G10	OA3G01	
OT400DFCC3B	400	-	2no+2nc	OA1G10	OA3G01	
OT400DFCC3BA	400	-	2no+2nc	OA1G10	OA3G01	
OT400DFCC4B	400	-	2no+2nc	OA1G10	OA3G01	
OT400DFCC4BA	400	-	2no+2nc	OA1G10	OA3G01	
OT630KFCC3B	630	-	2no+2nc	OA1G10	OA3G01	
OT630KFCC3BA	630	-	2no+2nc	OA1G10	OA3G01	
OT630KFCC4B	630	-	2no+2nc	OA1G10	OA3G01	
OT630KFCC4BA	630	-	2no+2nc	OA1G10	OA3G01	
OT800KFCC3B	800	-	2no+2nc	OA1G10	OA3G01	
OT800KFCC3BA	800	-	2no+2nc	OA1G10	OA3G01	
OT800KFCC4B	800	-	2no+2nc	OA1G10	OA3G01	
OT800KFCC4BA	800	-	2no+2nc	OA1G10	OA3G01	
OTR16B3M	16	-	2no+2nc	-	OA1G01	OA2G11
OTR16B4M	16	-	2no+2nc	OA1G10	OA1G01	OA2G11
OTR16B6M	16	-	-	-	-	-
OTR16BA3M	16	-	2no+2nc	-	OA1G01	OA2G11
OTR16BA4M	16	-	2no+2nc	OA1G10	OA1G01	OA2G11
OTR16BA6M	16	-	-	-	-	-
OTR25B3M	25	-	2no+2nc	-	OA1G01	OA2G11
OTR25B4M	25	-	2no+2nc	OA1G10	OA1G01	OA2G11
OTR25B6M	25	-	-	-	-	-
OTR25BA3M	25	-	2no+2nc	-	OA1G01	OA2G11
OTR25BA4M	25	-	2no+2nc	OA1G10	OA1G01	OA2G11
OTR25BA6M	25	-	-	-	-	-
OTR32B3M	32	-	2no+2nc	-	OA1G01	OA2G11
OTR32B4M	32	-	2no+2nc	OA1G10	OA1G01	OA2G11
OTR32B6M	32	-	-	-	-	-
OTR32BA3M	32	-	2no+2nc	-	OA1G01	OA2G11
OTR32BA4M	32	-	2no+2nc	OA1G10	OA1G01	OA2G11
OTR32BA6M	32	-	-	-	-	-
OTR45B3M	45	-	2no+2nc	OA1G10	OA1G01	OA2G11 <sup>1)</sup>
OTR45B4M	45	-	2no+2nc	OA1G10	OA1G01	OA2G11
OTR45B6B	45	-	1no+1nc	OA1G10	OA1G01	
OTR45B6B	45	-	2no	OA1G10	-	OA7G10
OTR45B6U	45	-	1no+1nc	OA1G10	OA1G01	
OTR45B6U	45	-	2no	OA1G10	-	OA7G10
OTR45BA3M	45	-	2no+2nc	OA1G10	OA1G01	OA2G11 <sup>1)</sup>
OTR45BA4M	45	-	2no+2nc	OA1G10	OA1G01	OA2G11
OTR45BA6B	45	-	1no+1nc	OA1G10	OA1G01	
OTR45BA6B	45	-	2no	OA1G10	-	OA7G10
OTR45BA6U	45	-	1no+1nc	OA1G10	OA1G01	
OTR45BA6U	45	-	2no	OA1G10	-	OA7G10
OTR63B3M	63	-	2no+2nc	OA1G10	OA1G01	OA2G11 <sup>1)</sup>
OTR63B4M	63	-	2no+2nc	OA1G10	OA1G01	OA2G11
OTR63B6B	63	-	1no+1nc	OA1G10	OA1G01	
OTR63B6B	63	-	2no	OA1G10	-	OA7G10
OTR63B6U	63	-	1no+1nc	OA1G10	OA1G01	
OTR63B6U	63	-	2no	OA1G10	-	OA7G10
OTR63BA3M	63	-	2no+2nc	OA1G10	OA1G01	OA2G11 <sup>1)</sup>
OTR63BA4M	63	-	2no+2nc	OA1G10	OA1G01	OA2G11
OTR63BA6B	63	-	1no+1nc	OA1G10	OA1G01	
OTR63BA6B	63	-	2no	OA1G10	-	OA7G10
OTR63BA6U	63	-	1no+1nc	OA1G10	OA1G01	
OTR63BA6U	63	-	2no	OA1G10	-	OA7G10
OTR100B3B	100	-	2no+2nc	OA1G10	OA1G01	OA2G11 <sup>1)</sup>
OTR100B3U	100	-	2no+2nc	OA1G10	OA1G01	OA2G11 <sup>1)</sup>
OTR100B4B	100	-	2no+2nc	OA1G10	OA1G01	OA2G11
OTR100B4U	100	-	2no+2nc	OA1G10	OA1G01	OA2G11
OTR100BA3B	100	-	2no+2nc	OA1G10	OA1G01	OA2G11 <sup>1)</sup>
OTR100BA3U	100	-	2no+2nc	OA1G10	OA1G01	OA2G11 <sup>1)</sup>

Type	I[A]	Auxiliary contacts		Auxiliary contact/ type to add			Type	I[A]	Auxiliary contacts		Auxiliary contact/ type to add		
		incl. in standard delivery	max.	NO	NC	NO+NC			incl. in standard delivery	max.	NO	NC	NO+NC
OTR125B3B	125	-	2no+2nc	OA1G10	OA1G01	OA2G11 <sup>1)</sup>	OS160BB2LUU2FZ	160	-	1no+1nc	OA1G10	OA3G01	
OTR125B3U	125	-	2no+2nc	OA1G10	OA1G01	OA2G11 <sup>1)</sup>	OS160BB2LUU3FZ	160	-	1no+1nc	OA1G10	OA3G01	
OTR125B4B	125	-	2no+2nc	OA1G10	OA1G01	OA2G11	OS160BB2LUU4FZ	160	-	1no+1nc	OA1G10	OA3G01	
OTR125B4U	125	-	2no+2nc	OA1G10	OA1G01	OA2G11	OS200BB2LUU2FZ	200	-	3no+1nc	OA1G10	OA3G01	
OTR125BA3B	125	-	2no+2nc	OA1G10	OA1G01	OA2G11 <sup>1)</sup>	OS200BB2LUU3FZ	200	-	3no+1nc	OA1G10	OA3G01	
OTR125BA3U	125	-	2no+2nc	OA1G10	OA1G01	OA2G11 <sup>1)</sup>	OS200BB2LUU4FZ	200	-	3no+1nc	OA1G10	OA3G01	
OTR125BA4B	125	-	2no+2nc	OA1G10	OA1G01	OA2G11	OS250D1LAA3B	250	-	3no+1nc	OA1G10	OA3G01	
OTR125BA4U	125	-	2no+2nc	OA1G10	OA1G01	OA2G11	OS250D1LAA3BZ	250	-	3no+1nc	OA1G10	OA3G01	
OT16ELMM3C	16	-	-	-	-	-	OS250D1LAA4B	250	-	3no+1nc	OA1G10	OA3G01	
OT16ELPP3C	16	-	-	-	-	-	OS250D1LAA4BZ	250	-	3no+1nc	OA1G10	OA3G01	
OT25ELMM3C	25	-	-	-	-	-	OS315BB3LUU2FZ	315	-	3no+1nc	OA1G10	OA3G01	
OT25ELPP3C	25	-	-	-	-	-	OS315BB3LUU3FZ	315	-	3no+1nc	OA1G10	OA3G01	
OT32ELMM3C	32	-	-	-	-	-	OS315BB3LUU4FZ	315	-	3no+1nc	OA1G10	OA3G01	
OT32ELPP3C	32	-	-	-	-	-	OS400BB4LUU2FZ	400	-	3no+1nc	OA1G10	OA3G01	
OT45ELMM3C	45	-	1no+1nc	OA1G10	OA1G01		OS400BB4LUU3FZ	400	-	3no+1nc	OA1G10	OA3G01	
OT45ELPP3C	45	-	2no	OA1G10	-	OA7G10	OS400BB4LUU4FZ	400	-	3no+1nc	OA1G10	OA3G01	
OT45ELPP3C	45	-	1no+1nc	OA1G10	OA1G01		OS400D2LAA3B	400	-	3no+1nc	OA1G10	OA3G01	
OT45ELPP3C	45	-	2no	OA1G10	-	OA7G10	OS400D2LAA3BZ	400	-	3no+1nc	OA1G10	OA3G01	
OT63ELMM3C	63	-	1no+1nc	OA1G10	OA1G01		OS400D2LAA4B	400	-	3no+1nc	OA1G10	OA3G01	
OT63ELMM3C	63	-	2no	OA1G10	-	OA7G10	OS400D2LAA4BZ	400	-	3no+1nc	OA1G10	OA3G01	
OT63ELPP3C	63	-	1no+1nc	OA1G10	OA1G01		OS630BC2LUU2FZ	630	-	3no+1nc	OA1G10	OA3G01	
OT63ELPP3C	63	-	2no	OA1G10	-	OA7G10	OS630BC2LUU3FZ	630	-	3no+1nc	OA1G10	OA3G01	
OT160ELAA3C	160	-	2no+2nc	OBEA10	OBEA01		OS630BC2LUU4FZ	630	-	3no+1nc	OA1G10	OA3G01	
OT160ELAA4C	160	-	2no+2nc	OBEA10	OBEA01		OS630D3LAA3B	630	-	3no+1nc	OA1G10	OA3G01	
OT200KLA3C	200	-	2no+2nc	OA1G10	OA3G01		OS630D3LAA3BZ	630	-	3no+1nc	OA1G10	OA3G01	
OT200KLA4C	200	-	2no+2nc	OA1G10	OA3G01		OS630D3LAA4B	630	-	3no+1nc	OA1G10	OA3G01	
OT250KLA3C	250	-	2no+2nc	OA1G10	OA3G01		OS800BC3LUU2FZ	800	-	3no+1nc	OA1G10	OA3G01	
OT250KLA4C	250	-	2no+2nc	OA1G10	OA3G01		OS800BC3LUU3FZ	800	-	3no+1nc	OA1G10	OA3G01	
OT315KLA3C	315	-	2no+2nc	OA1G10	OA3G01		OS800BC3LUU4FZ	800	-	3no+1nc	OA1G10	OA3G01	
OT315KLA4C	315	-	2no+2nc	OA1G10	OA3G01		OS800D3LAA3B	800	-	3no+1nc	OA1G10	OA3G01	
OT400DLAA3C	400	-	2no+2nc	OA1G10	OA3G01		OS800D3LAA3BZ	800	-	3no+1nc	OA1G10	OA3G01	
OT400DLAA4C	400	-	2no+2nc	OA1G10	OA3G01		OS800D3LAA4B	800	-	3no+1nc	OA1G10	OA3G01	
OT630KLA3C	630	-	2no+2nc	OA1G10	OA3G01		OS800D3LAA4BZ	800	-	3no+1nc	OA1G10	OA3G01	
OT630KLA4C	630	-	2no+2nc	OA1G10	OA3G01		OT16ELMM3B	16	-	2no+2nc	-	OA1G01	OA2G11
OT800KLA3C	800	-	2no+2nc	OA1G10	OA3G01		OT16ELMM3BZ	16	-	2no+2nc	-	OA1G01	OA2G11
OT800KLA4C	800	-	2no+2nc	OA1G10	OA3G01		OT16ELMM4B	16	-	2no+2nc	OA1G10	OA1G01	OA2G11
OS20PA1LMM3B	20	-	1no+1nc	OA1G10	OA3G01		OT16ELMM4BZ	16	-	2no+2nc	OA1G10	OA1G01	OA2G11
OS20PA1LMM4B	20	-	1no+1nc	OA1G10	OA3G01		OT16ELMM6BZ	16	-	-	-	-	-
OS20PA1LUU3FZ	20	-	1no+1nc	OA1G10	OA3G01		OTL16B3M	16	-	2no+2nc	-	OA1G01	OA2G11
OS20PA1LUU4FZ	20	-	1no+1nc	OA1G10	OA3G01		OTL16B4M	16	-	2no+2nc	OA1G10	OA1G01	OA2G11
OS00-32A00LAA3B	32	-	1no+1nc	OA1G10	OA3G01		OTL16B6M	16	-	-	-	-	-
OS00-32A00LAA3BZ	32	-	1no+1nc	OA1G10	OA3G01		OTL16BA3M	16	-	2no+2nc	-	OA1G01	OA2G11
OS00-32A00LAA4B	32	-	1no+1nc	OA1G10	OA3G01		OTL16BA4M	16	-	2no+2nc	OA1G10	OA1G01	OA2G11
OS00-32A00LAA4BZ	32	-	1no+1nc	OA1G10	OA3G01		OTL16BA6M	16	-	-	-	-	-
OS32GA3LUU2FZ	32	-	1no+1nc	OA1G10	OA3G01		OT25ELMM3B	25	-	2no+2nc	-	OA1G01	OA2G11
OS32GA3LUU3FZ	32	-	1no+1nc	OA1G10	OA3G01		OT25ELMM3BZ	25	-	2no+2nc	-	OA1G01	OA2G11
OS32GA3LUU4FZ	32	-	1no+1nc	OA1G10	OA3G01		OT25ELMM4B	25	-	2no+2nc	OA1G10	OA1G01	OA2G11
OS32PA1LMM3B	32	-	1no+1nc	OA1G10	OA3G01		OT25ELMM4BZ	25	-	2no+2nc	OA1G10	OA1G01	OA2G11
OS32PA1LMM4B	32	-	1no+1nc	OA1G10	OA3G01		OT25ELMM6BZ	25	-	-	-	-	-
OS32PA1LUU3FZ	32	-	1no+1nc	OA1G10	OA3G01		OTL25B3M	25	-	2no+2nc	-	OA1G01	OA2G11
OS32PA1LUU4FZ	32	-	1no+1nc	OA1G10	OA3G01		OTL25B4M	25	-	2no+2nc	OA1G10	OA1G01	OA2G11
OS00-63A00LAA3B	63	-	1no+1nc	OA1G10	OA3G01		OTL25B6M	25	-	-	-	-	-
OS00-63A00LAA3BZ	63	-	1no+1nc	OA1G10	OA3G01		OTL25BA3M	25	-	2no+2nc	-	OA1G01	OA2G11
OS00-63A00LAA4B	63	-	1no+1nc	OA1G10	OA3G01		OTL25BA4M	25	-	2no+2nc	OA1G10	OA1G01	OA2G11
OS00-63A00LAA4BZ	63	-	1no+1nc	OA1G10	OA3G01		OTL25BA6M	25	-	-	-	-	-
OS630D3LAA4BZ	63	-	3no+1nc	OA1G10	OA3G01		OT32ELMM3B	32	-	2no+2nc	-	OA1G01	OA2G11
OS63GA3LUU2FZ	63	-	1no+1nc	OA1G10	OA3G01		OT32ELMM3BZ	32	-	2no+2nc	-	OA1G01	OA2G11
OS63GA3LUU3FZ	63	-	1no+1nc	OA1G10	OA3G01		OT32ELMM4B	32	-	2no+2nc	OA1G10	OA1G01	OA2G11
OS63GA3LUU4FZ	63	-	1no+1nc	OA1G10	OA3G01		OT32ELMM4BZ	32	-	2no+2nc	OA1G10	OA1G01	OA2G11
OS00A00LAA3B	100	-	1no+1nc	OA1G10	OA3G01		OT32ELMM6BZ	32	-	-	-	-	-
OS00A00LAA3BZ	100	-	1no+1nc	OA1G10	OA3G01		OTL32B3M	32	-	2no+2nc	-	OA1G01	OA2G11
OS00A00LAA4B	100	-	1no+1nc	OA1G10	OA3G01		OTL32B4M	32	-	2no+2nc	OA1G10	OA1G01	OA2G11
OS00A00LAA4BZ	100	-	1no+1nc	OA1G10	OA3G01		OTL32B6M	32	-	-	-	-	-
OS100GA4LUU2FZ	100	-	1no+1nc	OA1G10	OA3G01		OTL32BA3M	32	-	2no+2nc	-	OA1G01	OA2G11
OS100GA4LUU3FZ	100	-	1no+1nc	OA1G10	OA3G01		OTL32BA4M	32	-	2no+2nc	OA1G10	OA1G01	OA2G11
OS100GA4LUU4FZ	100	-	1no+1nc	OA1G10	OA3G01		OTL32BA6M	32	-	-	-	-	-
OS00-160A00LAA3B	160	-	1no+1nc	OA1G10	OA3G01		OT45ELMM3B	45	-	2no+2nc	OA1G10	OA1G01	OA2G11 <sup>1)</sup>
OS00-160A00LAA3BZ	160	-	1no+1nc	OA1G10	OA3G01		OT45ELMM3BZ	45	-	2no+2nc	OA1G10	OA1G01	OA2G11 <sup>1)</sup>



Type	I[A]	Auxiliary contacts		Auxiliary contact/ type to add		
		incl. in standard delivery	max.	NO	NC	NO+NC
OT45ELMM6BZ	45	-	1no+1nc	OA1G10	OA1G01	
OT45ELMM6BZ	45	-	2no	OA1G10	-	OA7G10
OTL45B3M	45	-	2no+2nc	OA1G10	OA1G01	OA2G11 <sup>1)</sup>
OTL45B4M	45	-	2no+2nc	OA1G10	OA1G01	OA2G11
OTL45B6B	45	-	1no+1nc	OA1G10	OA1G01	
OTL45B6B	45	-	2no	OA1G10	-	OA7G10
OTL45B6U	45	-	1no+1nc	OA1G10	OA1G01	
OTL45B6U	45	-	2no	OA1G10	-	OA7G10
OTL45BA3M	45	-	2no+2nc	OA1G10	OA1G01	OA2G11 <sup>1)</sup>
OTL45BA4M	45	-	2no+2nc	OA1G10	OA1G01	OA2G11
OTL45BA6B	45	-	1no+1nc	OA1G10	OA1G01	
OTL45BA6B	45	-	2no	OA1G10	-	OA7G10
OTL45BA6U	45	-	1no+1nc	OA1G10	OA1G01	
OTL45BA6U	45	-	2no	OA1G10	-	OA7G10
OT63ELMM3B	63	-	2no+2nc	OA1G10	OA1G01	OA2G11 <sup>1)</sup>
OT63ELMM3BZ	63	-	2no+2nc	OA1G10	OA1G01	OA2G11 <sup>1)</sup>
OT63ELMM4B	63	-	2no+2nc	OA1G10	OA1G01	OA2G11
OT63ELMM4BZ	63	-	2no+2nc	OA1G10	OA1G01	OA2G11
OT63ELMM6BZ	63	-	1no+1nc	OA1G10	OA1G01	
OT63ELMM6BZ	63	-	2no	OA1G10	-	OA7G10
OTL63B3M	63	-	2no+2nc	OA1G10	OA1G01	OA2G11 <sup>1)</sup>
OTL63B4M	63	-	2no+2nc	OA1G10	OA1G01	OA2G11
OTL63B6B	63	-	1no+1nc	OA1G10	OA1G01	
OTL63B6B	63	-	2no	OA1G10	-	OA7G10
OTL63B6U	63	-	1no+1nc	OA1G10	OA1G01	
OTL63B6U	63	-	2no	OA1G10	-	OA7G10
OTL63BA3M	63	-	2no+2nc	OA1G10	OA1G01	OA2G11 <sup>1)</sup>
OTL63BA4M	63	-	2no+2nc	OA1G10	OA1G01	OA2G11
OTL63BA6B	63	-	1no+1nc	OA1G10	OA1G01	
OTL63BA6B	63	-	2no	OA1G10	-	OA7G10
OTL63BA6U	63	-	1no+1nc	OA1G10	OA1G01	
OTL63BA6U	63	-	2no	OA1G10	-	OA7G10
OTL100B3B	100	-	2no+2nc	OA1G10	OA1G01	OA2G11 <sup>1)</sup>
OTL100B3U	100	-	2no+2nc	OA1G10	OA1G01	OA2G11 <sup>1)</sup>
OTL100B4B	100	-	2no+2nc	OA1G10	OA1G01	OA2G11
OTL100B4U	100	-	2no+2nc	OA1G10	OA1G01	OA2G11
OTL100BA3B	100	-	2no+2nc	OA1G10	OA1G01	OA2G11 <sup>1)</sup>
OTL100BA3U	100	-	2no+2nc	OA1G10	OA1G01	OA2G11 <sup>1)</sup>
OTL100BA4B	100	-	2no+2nc	OA1G10	OA1G01	OA2G11
OTL100BA4U	100	-	2no+2nc	OA1G10	OA1G01	OA2G11
OT125ALAA3B	125	-	2no+2nc	OBEA10	OBEA01	
OT125ALAA3BZ	125	-	2no+2nc	OBEA10	OBEA01	
OT125ALAA4B	125	-	2no+2nc	OBEA10	OBEA01	
OT125ALAA4BZ	125	-	2no+2nc	OBEA10	OBEA01	
OT125ALAA6BZ	125	-	2no+2nc	OBEA10	OBEA01	
OT125ALUU3BZ	125	-	2no+2nc	OBEA10	OBEA01	
OT125ALUU4BZ	125	-	2no+2nc	OBEA10	OBEA01	
OT125ALUU6BZ	125	-	2no+2nc	OBEA10	OBEA01	
OT125ELBB3B	125	-	2no+2nc	OA1G10	OA1G01	
OT125ELBB3BZ	125	-	2no+2nc	OA1G10	OA1G01	
OT125ELBB4B	125	-	2no+2nc	OA1G10	OA1G01	
OT125ELBB4BZ	125	-	2no+2nc	OA1G10	OA1G01	
OTL125B3B	125	-	2no+2nc	OA1G10	OA1G01	OA2G11 <sup>1)</sup>
OTL125B3U	125	-	2no+2nc	OA1G10	OA1G01	OA2G11 <sup>1)</sup>
OTL125B4B	125	-	2no+2nc	OA1G10	OA1G01	OA2G11
OTL125B4U	125	-	2no+2nc	OA1G10	OA1G01	OA2G11
OTL125BA3B	125	-	2no+2nc	OA1G10	OA1G01	OA2G11 <sup>1)</sup>
OTL125BA3U	125	-	2no+2nc	OA1G10	OA1G01	OA2G11 <sup>1)</sup>
OTL125BA4B	125	-	2no+2nc	OA1G10	OA1G01	OA2G11
OTL125BA4U	125	-	2no+2nc	OA1G10	OA1G01	OA2G11
OT160ELAA3B	160	-	2no+2nc	OBEA10	OBEA01	
OT160ELAA3BZ	160	-	2no+2nc	OBEA10	OBEA01	
OT160ELAA4B	160	-	2no+2nc	OBEA10	OBEA01	
OT160ELAA4BZ	160	-	2no+2nc	OBEA10	OBEA01	
OT160ELAA6BZ	160	-	2no+2nc	OBEA10	OBEA01	
OT160ELUU3BZ	160	-	2no+2nc	OBEA10	OBEA01	
OT160ELUU4BZ	160	-	2no+2nc	OBEA10	OBEA01	
OT160ELUU6BZ	160	-	2no+2nc	OBEA10	OBEA01	

Type	I[A]	Auxiliary contacts		Auxiliary contact/ type to add		
		incl. in standard delivery	max.	NO	NC	NO+NC
OT200KLA4B	200	-	2no+2nc	OA1G10	OA3G01	
OT200KLA4BZ	200	-	2no+2nc	OA1G10	OA3G01	
OT200KLA6BZ	200	-	2no+2nc	OA1G10	OA3G01	
OT200KLUU3BZ	200	-	2no+2nc	OA1G10	OA3G01	
OT200KLUU4BZ	200	-	2no+2nc	OA1G10	OA3G01	
OT200KLUU6BZ	200	-	2no+2nc	OA1G10	OA3G01	
OT250KLA4B	250	-	2no+2nc	OA1G10	OA3G01	
OT250KLA4BZ	250	-	2no+2nc	OA1G10	OA3G01	
OT250KLA6BZ	250	-	2no+2nc	OA1G10	OA3G01	
OT250KLUU3BZ	250	-	2no+2nc	OA1G10	OA3G01	
OT250KLUU4BZ	250	-	2no+2nc	OA1G10	OA3G01	
OT250KLUU6BZ	250	-	2no+2nc	OA1G10	OA3G01	
OT315KLA4B	315	-	2no+2nc	OA1G10	OA3G01	
OT315KLA4BZ	315	-	2no+2nc	OA1G10	OA3G01	
OT315KLA6BZ	315	-	2no+2nc	OA1G10	OA3G01	
OT315KLUU3BZ	315	-	2no+2nc	OA1G10	OA3G01	
OT315KLUU4BZ	315	-	2no+2nc	OA1G10	OA3G01	
OT315KLUU6BZ	315	-	2no+2nc	OA1G10	OA3G01	
OT400DLAA3B	400	-	2no+2nc	OA1G10	OA3G01	
OT400DLAA3BZ	400	-	2no+2nc	OA1G10	OA3G01	
OT400DLAA4B	400	-	2no+2nc	OA1G10	OA3G01	
OT400DLAA4BZ	400	-	2no+2nc	OA1G10	OA3G01	
OT400DLAA6BZ	400	-	2no+2nc	OA1G10	OA3G01	
OT400DLUU3BZ	400	-	2no+2nc	OA1G10	OA3G01	
OT400DLUU4BZ	400	-	2no+2nc	OA1G10	OA3G01	
OT400DLUU6BZ	400	-	2no+2nc	OA1G10	OA3G01	
OT630KLA4B	630	-	2no+2nc	OA1G10	OA3G01	
OT630KLA4BZ	630	-	2no+2nc	OA1G10	OA3G01	
OT630KLA6BZ	630	-	2no+2nc	OA1G10	OA3G01	
OT630KLUU3BZ	630	-	2no+2nc	OA1G10	OA3G01	
OT630KLUU4BZ	630	-	2no+2nc	OA1G10	OA3G01	
OT630KLUU6BZ	630	-	2no+2nc	OA1G10	OA3G01	
OT800KLA4B	800	-	2no+2nc	OA1G10	OA3G01	
OT800KLA4BZ	800	-	2no+2nc	OA1G10	OA3G01	
OT800KLA6BZ	800	-	2no+2nc	OA1G10	OA3G01	
OT800KLUU3BZ	800	-	2no+2nc	OA1G10	OA3G01	
OT800KLUU4BZ	800	-	2no+2nc	OA1G10	OA3G01	
OT800KLUU6BZ	800	-	2no+2nc	OA1G10	OA3G01	
OT1000KLA4B	1000	-	2no+2nc	OA1G10	OA3G01	
OT1000KLA4BZ	1000	-	2no+2nc	OA1G10	OA3G01	
OT1000KLUU3BZ	1000	-	2no+2nc	OA1G10	OA3G01	
OT1250KLA4B	1250	-	2no+2nc	OA1G10	OA3G01	
OT1250KLA4BZ	1250	-	2no+2nc	OA1G10	OA3G01	
OT1250KLUU3BZ	1250	-	2no+2nc	OA1G10	OA3G01	
OT1600KLA4B	1600	-	2no+2nc	OA1G10	OA3G01	
OT1600KLA4BZ	1600	-	2no+2nc	OA1G10	OA3G01	
OT1600KLA6BZ	1600	-	2no+2nc	OA1G10	OA3G01	
OT1600KLUU3BZ	1600	-	2no+2nc	OA1G10	OA3G01	

<sup>1)</sup> OA2G11 is mountable on the switch side without neutral block.

# Index

Type	Order number	Page	Description	Type	Order number	Page	Description
BW225 DP	2CMA142400R1000	12	Plastic enclosed switch-disconnector	ESKV16	1SCA022715R5930	56	Compression gland, plastic
BW225 W/DP	2CMA142401R1000	12	Plastic enclosed switch-disconnector	ESKV20	1SCA022715R6070	56	Compression gland, plastic
BW240 DP	2CMA142407R1000	12	Plastic enclosed switch-disconnector	ESKV25	1SCA022715R6150	56	Compression gland, plastic
BW316 TPN	2CMA142447R1000	13	Plastic enclosed switch-disconnector	ESKV32	1SCA022715R6230	56	Compression gland, plastic
BW325 K/TPN	2CMA142443R1000	13	Plastic enclosed switch-disconnector	ESKV40	1SCA022715R6310	56	Compression gland, plastic
BW325 L/TPN	2CMA142404R1000	13	Plastic enclosed switch-disconnector	ESKV50	1SCA022715R6400	56	Compression gland, plastic
BW325 TPN	2CMA142403R1000	13	Plastic enclosed switch-disconnector	ESKV63	1SCA022715R6580	56	Compression gland, plastic
BW325 W/TPN	2CMA142402R1000	13	Plastic enclosed switch-disconnector	FGNSUM6X	1SCA010234R6620	55	Nut for cover plate
BW325 Y/TPN	2CMA142441R1000	18	Plastic enclosed switch-disconnector	KEM50/63	1SCA114809R1001	57	Adapter for M-thread, plastic
BW340 TPN	2CMA142408R1000	13	Plastic enclosed switch-disconnector	KIG-1	1SEH650052R6711	54	Cable inlet
BW340 Y/TPN	2CMA142445R1000	18	Plastic enclosed switch-disconnector	KIG-2	1SEH650052R6712	54	Cable inlet
BW425 TPSN	2CMA142405R1000	14	Plastic enclosed switch-disconnector	KIG-221-1	1SEH650052R6713	54	C-flange
BW425 Y/TPSN	2CMA142444R1000	18	Plastic enclosed switch-disconnector	KIG-221-2	1SEH650052R6714	54	C-flange
BW440 TPN	2CMA142409R1000	14	Plastic enclosed switch-disconnector	KIM13-1	1SEH655267R2050	54	B-flange
BW440 Y/TPSN	2CMA142446R1000	18	Plastic enclosed switch-disconnector	KIM13-2	1SEH655267R2060	54	B-flange
BW625 TPN	2CMA142406R1000	14	Plastic enclosed switch-disconnector	KRM16/12	1SCA022749R6090	57	Adapter for M-thread, plastic
BW640 TPN	2CMA142410R1000	14	Plastic enclosed switch-disconnector	KRM20/12	1SCA022749R6170	57	Adapter for M-thread, plastic
EADR12	1SCA114804R1001	57	Gasket	KRM25/12	1SCA022749R6990	57	Adapter for M-thread, plastic
EADR16	1SCA022749R6410	57	Gasket	KSE225 DP	2CMA142411R1000	36	Aluminum enclosed switch-disconnector
EADR20	1SCA022749R6500	57	Gasket	KSE240 DP	2CMA142414R1000	36	Aluminum enclosed switch-disconnector
EADR25	1SCA022749R6680	57	Gasket	KSE3125 TPN	2CMA144588R1000	37	Aluminum enclosed switch-disconnector
EADR32	1SCA101165R1001	57	Gasket	KSE3160	2CMA144712R1000	38	Aluminum enclosed switch-disconnector
EADR50	1SCA104353R1001	57	Gasket	KSE325 TPN	2CMA142412R1000	36	Aluminum enclosed switch-disconnector
EMMU12	1SCA022722R1910	56	Locking nut, metallic	KSE3250	2CMA144713R1000	38	Aluminum enclosed switch-disconnector
EMMU16	1SCA022722R2040	56	Locking nut, metallic	KSE3315	2CMA144714R1000	38	Aluminum enclosed switch-disconnector
EMMU20	1SCA022722R2120	56	Locking nut, metallic	KSE340 TPN	2CMA142415R1000	36	Aluminum enclosed switch-disconnector
EMMU25	1SCA022722R2210	56	Locking nut, metallic	KSE3500	2CMA144715R1000	38	Aluminum enclosed switch-disconnector
EMMU32	1SCA022722R2390	56	Locking nut, metallic	KSE363 D/TPN	2CMA144581R1000	37	Aluminum enclosed switch-disconnector
EMMU40	1SCA022722R2470	56	Locking nut, metallic	KSE363 TPN	2CMA144580R1000	37	Aluminum enclosed switch-disconnector
EMMU50	1SCA022722R2550	56	Locking nut, metallic	KSE3630	2CMA144716R1000	38	Aluminum enclosed switch-disconnector
EMMU63	1SCA022722R2630	56	Locking nut, metallic	KSE380 TPN	2CMA144583R1000	37	Aluminum enclosed switch-disconnector
EMSKV12/5	1SCA022722R2710	56	Compression gland, metallic	KSE425 TPSN	2CMA142413R1000	36	Aluminum enclosed switch-disconnector
EMSKV16/5	1SCA022722R2800	56	Compression gland, metallic	KSE440 TPSN	2CMA142416R1000	36	Aluminum enclosed switch-disconnector
EMSKV20/6	1SCA022722R2980	56	Compression gland, metallic	KSE463 TPSN	2CMA144582R1000	37	Aluminum enclosed switch-disconnector
EMSKV25/7	1SCA022722R3010	56	Compression gland, metallic	KSE480 TPSN	2CMA144584R1000	37	Aluminum enclosed switch-disconnector
EMSKV32/8	1SCA022722R3100	56	Compression gland, metallic	KSF225 DP	2CMA142435R1000	39	Aluminum enclosed fireman's switch
EMSKV40/8	1SCA022722R3280	56	Compression gland, metallic	KSF325 TPN	2CMA142436R1000	39	Aluminum enclosed fireman's switch
EMSKV50/9	1SCA022722R3360	56	Compression gland, metallic	KSF325 TPN NO	2CMA142442R1000	39	Aluminum enclosed fireman's switch
EMSKV63/10	1SCA022722R3440	56	Compression gland, metallic	KSF340 TPN	2CMA142438R1000	39	Aluminum enclosed fireman's switch
EMUG12	1SCA022715R8280	56	Locking nut, plastic	KSF425 TPSN	2CMA142437R1000	39	Aluminum enclosed fireman's switch
EMUG16	1SCA022715R8360	56	Locking nut, plastic	KSF440 TPSN	2CMA142439R1000	39	Aluminum enclosed fireman's switch
EMUG20	1SCA022715R8440	56	Locking nut, plastic	L6	2CMA144539R1000	55	Shackle for up to 6 padlocks
EMUG25	1SCA022715R8520	56	Locking nut, plastic	LBFEU	1SCA022713R6040	54	B-flange
EMUG32	1SCA022715R8610	56	Locking nut, plastic	LBSI2ALM20	1SCA022713R6210	54	B-flange
EMUG40	1SCA022715R8790	56	Locking nut, plastic	LBSI2ALM32+1ALM25	1SCA022722R3520	54	B-flange
EMUG50	1SCA022715R8870	56	Locking nut, plastic	LBSI2ALM40	1SCA022713R6630	54	B-flange
EMUG63	1SCA022715R8950	56	Locking nut, plastic	LBSI3ALM25+1TM25	1SCA022722R3610	54	B-flange
EPN550M50/M32	1SCA114803R1001	57	Adapter for M-thread, plastic	LBSI3ALM32	1SCA022713R6550	54	B-flange
EPN550M50/M40	1SCA104355R1001	57	Adapter for M-thread, plastic	LBSI4ALM25	1SCA022713R6390	54	B-flange
EPN650M25/M32	1SCA101159R1001	57	Adapter for M-thread, plastic	LBSIU	1SCA022713R6120	54	B-flange
EPN650M32/M40	1SCA101160R1001	57	Adapter for M-thread, plastic	OA1G01	1SCA022353R4890	50	Auxiliary contact
EPN720M20/16	1SCA114807R1001	57	Adapter for M-thread, metallic	OA1G10	1SCA022353R4970	50	Auxiliary contact
EPN720M20/M12	1SCA114806R1001	57	Adapter for M-thread, metallic	OA1G10	1SCA022353R4970	50	Auxiliary contact
EPN720M25/M20	1SCA109748R1001	57	Adapter for M-thread, metallic	OA2G11	1SCA022379R8100	50	Auxiliary contact
EPN720M32/M20	1SCA109749R1001	57	Adapter for M-thread, metallic	OA3G01	1SCA022456R7410	50	Auxiliary contact
EPN720M40/M25	1SCA114808R1001	57	Adapter for M-thread, metallic	OA7G10	1SCA022673R1140	50	Auxiliary contact
EPN740M32/M40	1SCA114810R1001	57	Adapter for M-thread, metallic	OBEA01	1SCA022190R3260	50	Auxiliary contact
ESKV12	1SCA022715R5850	56	Compression gland, plastic	OBEA01	1SCA022190R3260	50	Auxiliary contact

Type	Order number	Page	Description
OBEA01AU	1SCA022185R3730	50	Auxiliary contact
OBEA10	1SCA022190R3000	50	Auxiliary contact
OBEA10	1SCA022190R3000	50	Auxiliary contact
OBEA10AU	1SCA022185R3310	50	Auxiliary contact
OEZXB11L	1SCA022560R4920	55	I/B-flange
OEZXB12L	1SCA022560R5140	55	I/B-flange
OEZXC 0	1SCA022277R6420	54	C-flange cover
OEZXC11L	1SCA022560R5570	55	II/C-flange
OEZXC12L	1SCA022560R5730	55	II/C-flange
OEZXC1R	1SCA022281R3560	54	Ring-flange adapters for C-flange entry
OEZXC2R	1SCA022281R3720	54	Ring-flange adapters for C-flange entry
OEZXP120 <sup>1)</sup>	1SCA022277R2350	52	Cable entry
OEZXP120C <sup>1)</sup>	1SCA022338R5360	52	Cable entry
OEZXP240	1SCA022277R2780	52	Cable entry
OEZXP240C	1SCA022338R5520	52	Cable entry
OEZXP24R	1SCA022277R3160	52	Cable entry
OEZXP280	1SCA022277R3910	52	Cable entry
OEZXP280C	1SCA022338R5950	52	Cable entry
OEZXP28R	1SCA022277R4560	52	Cable entry
OEZXP340	1SCA022277R3320	52	Cable entry
OEZXP340C	1SCA022338R5790	52	Cable entry
OEZXP34R	1SCA022277R3750	52	Cable entry
OEZXP380	1SCA022277R4720	52	Cable entry
OEZXP380C	1SCA022338R6170	52	Cable entry
OEZXP38R	1SCA022277R5020	52	Cable entry
OEZXR020	1SCA022656R8130	53	Ring-flange cover
OEZXR023	1SCA022277R5290	53	Ring-flange cover
OEZXR025	1SCA022656R8120	53	Ring-flange cover
OEZXR037	1SCA022277R5450	53	Ring-flange cover
OEZXR040	1SCA022656R8300	53	Ring-flange cover
OEZXR134	1SCA022277R5610	53	Ring-flange
OEZXR143	1SCA022277R5880	53	Ring-flange
OEZXR150	1SCA022277R6000	53	Ring-flange
OEZXR158	1SCA022277R6260	53	Ring-flange
OEZX143R	1SCA022350R3820	53	Plate extension for ring-flange
OEZX158R	1SCA022350R3910	53	Plate extension for ring-flange
OEZX2	1SCA022281R5340	52	Cable entry
OS00-160A00FCC3B	1SCA022315R2690	42	Plastic enclosed switch fuse
OS00-160A00FCC4B	1SCA022315R2850	42	Plastic enclosed switch fuse
OS00-160A00LAA3B	1SCA022325R3530	46	Steel sheet enclosed switch fuse
OS00-160A00LAA3BZ	1SCA022325R3700	46	Steel sheet enclosed switch fuse
OS00-160A00LAA4B	1SCA022320R6450	47	Steel sheet enclosed switch fuse
OS00-160A00LAA4BZ	1SCA022320R6610	47	Steel sheet enclosed switch fuse
OS00-32A00FCC3B	1SCA022315R1450	42	Plastic enclosed switch fuse
OS00-32A00FCC4B	1SCA022315R1880	42	Plastic enclosed switch fuse
OS00-32A00LAA3B	1SCA022325R2560	46	Steel sheet enclosed switch fuse
OS00-32A00LAA3BZ	1SCA022325R2720	46	Steel sheet enclosed switch fuse
OS00-32A00LAA4B	1SCA022325R5310	47	Steel sheet enclosed switch fuse
OS00-32A00LAA4BZ	1SCA022325R5740	47	Steel sheet enclosed switch fuse
OS00-63A00FCC3B	1SCA022315R1610	42	Plastic enclosed switch fuse
OS00-63A00FCC4B	1SCA022315R2000	42	Plastic enclosed switch fuse
OS00-63A00LAA3B	1SCA022292R9600	46	Steel sheet enclosed switch fuse
OS00-63A00LAA3BZ	1SCA022325R2990	46	Steel sheet enclosed switch fuse
OS00-63A00LAA4B	1SCA022325R5910	47	Steel sheet enclosed switch fuse
OS00-63A00LAA4BZ	1SCA022320R5810	47	Steel sheet enclosed switch fuse
OS00A00FCC3B	1SCA022315R2260	42	Plastic enclosed switch fuse
OS00A00FCC4B	1SCA022315R2420	42	Plastic enclosed switch fuse
OS00A00LAA3B	1SCA022325R3110	46	Steel sheet enclosed switch fuse
OS00A00LAA3BZ	1SCA022325R3370	46	Steel sheet enclosed switch fuse
OS00A00LAA4B	1SCA022320R6020	47	Steel sheet enclosed switch fuse
OS00A00LAA4BZ	1SCA022320R6290	47	Steel sheet enclosed switch fuse
OS100GA4FCC3B	1SCA022280R8560	41	Plastic enclosed switch fuse
OS100GA4FCC4B	1SCA022280R7910	41	Plastic enclosed switch fuse
OS100GA4LUU2FZ	1SCA022320R7930	43	Steel sheet enclosed switch fuse
OS100GA4LUU3FZ	1SCA022320R9210	45	Steel sheet enclosed switch fuse
OS100GA4LUU4FZ	1SCA022320R6110	45	Steel sheet enclosed switch fuse
OS160BB2LUU2FZ	1SCA022320R8150	43	Steel sheet enclosed switch fuse
OS160BB2LUU3FZ	1SCA022320R9470	45	Steel sheet enclosed switch fuse
OS160BB2LUU4FZ	1SCA022320R6370	45	Steel sheet enclosed switch fuse

Type	Order number	Page	Description
OS200BB2FCC3B	1SCA022280R9110	41	Plastic enclosed switch fuse
OS200BB2FCC4B	1SCA022280R9700	41	Plastic enclosed switch fuse
OS200BB2LUU2FZ	1SCA022320R8310	43	Steel sheet enclosed switch fuse
OS200BB2LUU3FZ	1SCA022320R9630	45	Steel sheet enclosed switch fuse
OS200BB2LUU4FZ	1SCA022320R6530	45	Steel sheet enclosed switch fuse
OS20PA1FUU3B	1SCA022280R9290	41	Plastic enclosed switch fuse
OS20PA1FUU4B	1SCA022280R9880	41	Plastic enclosed switch fuse
OS20PA1LMM3B	1SCA022281R1510	44	Steel sheet enclosed switch fuse
OS20PA1LMM4B	1SCA022281R2080	44	Steel sheet enclosed switch fuse
OS20PA1LUU3FZ	1SCA022320R8400	45	Steel sheet enclosed switch fuse
OS20PA1LUU4FZ	1SCA022321R0640	45	Steel sheet enclosed switch fuse
OS250D1FCC3B	1SCA022315R3070	42	Plastic enclosed switch fuse
OS250D1FCC4B	1SCA022315R3230	42	Plastic enclosed switch fuse
OS250D1LAA3B	1SCA022325R3960	46	Steel sheet enclosed switch fuse
OS250D1LAA3BZ	1SCA022325R4180	46	Steel sheet enclosed switch fuse
OS250D1LAA4B	1SCA022320R6880	47	Steel sheet enclosed switch fuse
OS250D1LAA4BZ	1SCA022320R7000	47	Steel sheet enclosed switch fuse
OS315BB3FCC3B	1SCA022281R0380	41	Plastic enclosed switch fuse
OS315BB3LUU2FZ	1SCA022320R8580	43	Steel sheet enclosed switch fuse
OS315BB3LUU3FZ	1SCA022320R9800	45	Steel sheet enclosed switch fuse
OS315BB3LUU4FZ	1SCA022320R6700	45	Steel sheet enclosed switch fuse
OS32GA3FCC3B	1SCA022281R1600	41	Plastic enclosed switch fuse
OS32GA3FCC4B	1SCA022280R6190	41	Plastic enclosed switch fuse
OS32GA3LUU2FZ	1SCA022320R7510	43	Steel sheet enclosed switch fuse
OS32GA3LUU3FZ	1SCA022320R8820	45	Steel sheet enclosed switch fuse
OS32GA3LUU4FZ	1SCA022321R1020	45	Steel sheet enclosed switch fuse
OS32PA1FUU3B	1SCA022281R0460	41	Plastic enclosed switch fuse
OS32PA1FUU4B	1SCA022281R1010	41	Plastic enclosed switch fuse
OS32PA1LMM3B	1SCA022281R2670	44	Steel sheet enclosed switch fuse
OS32PA1LMM4B	1SCA022281R3210	44	Steel sheet enclosed switch fuse
OS32PA1LUU3FZ	1SCA022320R8660	45	Steel sheet enclosed switch fuse
OS32PA1LUU4FZ	1SCA022321R0810	45	Steel sheet enclosed switch fuse
OS400BB4FCC3B	1SCA022302R6630	41	Plastic enclosed switch fuse
OS400BB4LUU2FZ	1SCA022320R8740	43	Steel sheet enclosed switch fuse
OS400BB4LUU3FZ	1SCA022321R0050	45	Steel sheet enclosed switch fuse
OS400BB4LUU4FZ	1SCA022320R6960	45	Steel sheet enclosed switch fuse
OS400D2FCC3B	1SCA022315R3400	42	Plastic enclosed switch fuse
OS400D2FCC4B	1SCA022628R6070	42	Plastic enclosed switch fuse
OS400D2LAA3B	1SCA022292R9860	46	Steel sheet enclosed switch fuse
OS400D2LAA3BZ	1SCA022325R4340	46	Steel sheet enclosed switch fuse
OS400D2LAA4B	1SCA022320R7260	47	Steel sheet enclosed switch fuse
OS400D2LAA4BZ	1SCA022320R7420	47	Steel sheet enclosed switch fuse
OS630BC2LUU2FZ	1SCA022320R8910	43	Steel sheet enclosed switch fuse
OS630BC2LUU3FZ	1SCA022321R0210	45	Steel sheet enclosed switch fuse
OS630BC2LUU4FZ	1SCA022320R7180	45	Steel sheet enclosed switch fuse
OS630D3LAA3B	1SCA022325R4510	46	Steel sheet enclosed switch fuse
OS630D3LAA3BZ	1SCA022325R4770	46	Steel sheet enclosed switch fuse
OS630D3LAA4B	1SCA022320R7690	47	Steel sheet enclosed switch fuse
OS630D3LAA4BZ	1SCA022320R7850	47	Steel sheet enclosed switch fuse
OS63GA3FCC3B	1SCA022280R6780	41	Plastic enclosed switch fuse
OS63GA3FCC4B	1SCA022280R7320	41	Plastic enclosed switch fuse
OS63GA3LUU2FZ	1SCA022320R7770	43	Steel sheet enclosed switch fuse
OS63GA3LUU3FZ	1SCA022320R9040	45	Steel sheet enclosed switch fuse
OS63GA3LUU4FZ	1SCA022320R5990	45	Steel sheet enclosed switch fuse
OS800BC3LUU2FZ	1SCA022320R9120	43	Steel sheet enclosed switch fuse
OS800BC3LUU3FZ	1SCA022321R0480	45	Steel sheet enclosed switch fuse
OS800BC3LUU4FZ	1SCA022320R7340	45	Steel sheet enclosed switch fuse
OS800D3LAA3B	1SCA022325R4930	46	Steel sheet enclosed switch fuse
OS800D3LAA3BZ	1SCA022325R5150	46	Steel sheet enclosed switch fuse
OS800D3LAA4B	1SCA022320R8070	47	Steel sheet enclosed switch fuse
OS800D3LAA4BZ	1SCA022320R8230	47	Steel sheet enclosed switch fuse
OT1000KLA43B	1SCA022370R3830	28	Steel sheet enclosed switch-disconnector
OT1000KLA43BZ	1SCA022569R2870	24	Steel sheet enclosed switch-disconnector
OT1000KLA44B	1SCA022437R9760	29	Steel sheet enclosed switch-disconnector
OT1000KLA44BZ	1SCA022569R4220	26	Steel sheet enclosed switch-disconnector
OT1000KLUU3BZ	1SCA022750R1780	24	Steel sheet enclosed switch-disconnector
OT1250KLA43B	1SCA022350R0640	28	Steel sheet enclosed switch-disconnector
OT1250KLA43BZ	1SCA022569R4310	24	Steel sheet enclosed switch-disconnector
OT1250KLA44B	1SCA022437R9480	29	Steel sheet enclosed switch-disconnector



Type	Order number	Page	Description	Type	Order number	Page	Description
OT1250KLA4BZ	1SCA022569R4490	26	Steel sheet enclosed switch-disconnector	OT25ELMM3BZ	1SCA022461R9310	23	Steel sheet enclosed switch-disconnector
OT1250KLUU3BZ	1SCA022750R1860	24	Steel sheet enclosed switch-disconnector	OT25ELMM3C	1SCA022473R1580	40	Steel sheet enclosed change-over switch
OT125ALAA3B	1SCA022302R5910	28	Steel sheet enclosed switch-disconnector	OT25ELMM4B	1SCA022467R8160	29	Steel sheet enclosed switch-disconnector
OT125ALAA3BZ	1SCA022302R6710	24	Steel sheet enclosed switch-disconnector	OT25ELMM4BZ	1SCA022467R9210	25	Steel sheet enclosed switch-disconnector
OT125ALAA4B	1SCA022340R9560	29	Steel sheet enclosed switch-disconnector	OT25ELMM6BZ	1SCA022591R5330	27	Steel sheet enclosed switch-disconnector
OT125ALAA4BZ	1SCA022342R4870	26	Steel sheet enclosed switch-disconnector	OT25ELPP3C	1SCA022473R1740	40	Steel sheet enclosed change-over switch
OT125ALAA6BZ	1SCA022689R5090	27	Steel sheet enclosed switch-disconnector	OT315KFCC3B	1SCA022278R2740	15	Plastic enclosed switch-disconnector
OT125ALUU3BZ	1SCA022750R1430	24	Steel sheet enclosed switch-disconnector	OT315KFCC3BA	1SCA022834R0110	19	Plastic enclosed switch-disconnector
OT125ALUU4BZ	1SCA022833R6770	26	Steel sheet enclosed switch-disconnector	OT315KFCC4B	1SCA022548R6710	16	Plastic enclosed switch-disconnector
OT125ALUU6BZ	1SCA022833R6930	27	Steel sheet enclosed switch-disconnector	OT315KFCC4BA	1SCA022834R0700	20	Plastic enclosed switch-disconnector
OT125ELBB3B	1SCA022461R9070	28	Steel sheet enclosed switch-disconnector	OT315KLAA3B	1SCA022280R5200	28	Steel sheet enclosed switch-disconnector
OT125ELBB3BZ	1SCA022462R0240	23	Steel sheet enclosed switch-disconnector	OT315KLAA3BZ	1SCA022302R8330	24	Steel sheet enclosed switch-disconnector
OT125ELBB4B	1SCA022467R8910	29	Steel sheet enclosed switch-disconnector	OT315KLAA3C	1SCA022280R2790	40	Steel sheet enclosed change-over switch
OT125ELBB4BZ	1SCA022468R0140	25	Steel sheet enclosed switch-disconnector	OT315KLAA4B	1SCA022341R0900	29	Steel sheet enclosed switch-disconnector
OT1600KLA3B	1SCA022437R8520	28	Steel sheet enclosed switch-disconnector	OT315KLAA4BZ	1SCA022342R6220	26	Steel sheet enclosed switch-disconnector
OT1600KLA3BZ	1SCA022569R4570	24	Steel sheet enclosed switch-disconnector	OT315KLAA4C	1SCA022474R7150	40	Steel sheet enclosed change-over switch
OT1600KLA4B	1SCA022437R9920	29	Steel sheet enclosed switch-disconnector	OT315KLAA6BZ	1SCA022804R1110	27	Steel sheet enclosed switch-disconnector
OT1600KLA4BZ	1SCA022569R4650	26	Steel sheet enclosed switch-disconnector	OT315KLUU3BZ	1SCA022572R6010	24	Steel sheet enclosed switch-disconnector
OT1600KLUU3BZ	1SCA022750R1940	24	Steel sheet enclosed switch-disconnector	OT315KLUU4BZ	1SCA022801R0070	26	Steel sheet enclosed switch-disconnector
OT160EFCC3B	1SCA022278R7030	15	Plastic enclosed switch-disconnector	OT315KLUU6BZ	1SCA022804R0900	27	Steel sheet enclosed switch-disconnector
OT160EFCC3BA	1SCA022833R6510	19	Plastic enclosed switch-disconnector	OT32ELMM3B	1SCA022461R8340	28	Steel sheet enclosed switch-disconnector
OT160EFCC4B	1SCA022548R6620	16	Plastic enclosed switch-disconnector	OT32ELMM3BZ	1SCA022461R9580	23	Steel sheet enclosed switch-disconnector
OT160EFCC4BA	1SCA022833R6690	20	Plastic enclosed switch-disconnector	OT32ELMM3C	1SCA022473R1910	40	Steel sheet enclosed change-over switch
OT160ELAA3B	1SCA022280R3410	28	Steel sheet enclosed switch-disconnector	OT32ELMM4B	1SCA022467R8320	29	Steel sheet enclosed switch-disconnector
OT160ELAA3BZ	1SCA022302R7100	24	Steel sheet enclosed switch-disconnector	OT32ELMM4BZ	1SCA022467R9480	25	Steel sheet enclosed switch-disconnector
OT160ELAA4B	1SCA022340R9720	29	Steel sheet enclosed switch-disconnector	OT32ELMM6BZ	1SCA022589R8810	27	Steel sheet enclosed switch-disconnector
OT160ELAA4BZ	1SCA022342R5090	26	Steel sheet enclosed switch-disconnector	OT32ELPP3C	1SCA022473R2120	40	Steel sheet enclosed change-over switch
OT160ELAA6BZ	1SCA022468R7400	27	Steel sheet enclosed switch-disconnector	OT400DFCC3B	1SCA022278R3390	15	Plastic enclosed switch-disconnector
OT160ELUU3BZ	1SCA022479R5120	24	Steel sheet enclosed switch-disconnector	OT400DFCC3BA	1SCA022834R0290	19	Plastic enclosed switch-disconnector
OT160ELUU4BZ	1SCA022833R6850	26	Steel sheet enclosed switch-disconnector	OT400DFCC4B	1SCA022609R5480	16	Plastic enclosed switch-disconnector
OT160ELUU6BZ	1SCA022833R7070	27	Steel sheet enclosed switch-disconnector	OT400DFCC4BA	1SCA022834R0880	20	Plastic enclosed switch-disconnector
OT160KLA3C	1SCA120678R1001	40	Steel sheet enclosed change-over switch	OT400DLAA3B	1SCA022279R9710	28	Steel sheet enclosed switch-disconnector
OT160KLA4C	1SCA120697R1001	40	Steel sheet enclosed change-over switch	OT400DLAA3BZ	1SCA022302R8760	24	Steel sheet enclosed switch-disconnector
OT16ELMM3B	1SCA022461R7960	28	Steel sheet enclosed switch-disconnector	OT400DLAA3C	1SCA022280R2950	40	Steel sheet enclosed change-over switch
OT16ELMM3BZ	1SCA022461R9150	23	Steel sheet enclosed switch-disconnector	OT400DLAA4B	1SCA022341R1380	29	Steel sheet enclosed switch-disconnector
OT16ELMM3C	1SCA022473R1070	40	Steel sheet enclosed change-over switch	OT400DLAA4BZ	1SCA022342R6650	26	Steel sheet enclosed switch-disconnector
OT16ELMM4B	1SCA022467R7940	29	Steel sheet enclosed switch-disconnector	OT400DLAA4C	1SCA022292R6680	40	Steel sheet enclosed change-over switch
OT16ELMM4BZ	1SCA022467R9050	25	Steel sheet enclosed switch-disconnector	OT400DLAA6BZ	1SCA022804R1200	27	Steel sheet enclosed switch-disconnector
OT16ELMM6BZ	1SCA022589R9620	27	Steel sheet enclosed switch-disconnector	OT400DLUU3BZ	1SCA022602R0800	24	Steel sheet enclosed switch-disconnector
OT16ELPP3C	1SCA022473R1310	40	Steel sheet enclosed change-over switch	OT400DLUU4BZ	1SCA022801R0660	26	Steel sheet enclosed switch-disconnector
OT200KFC3B	1SCA022278R1510	15	Plastic enclosed switch-disconnector	OT400DLUU6BZ	1SCA022804R1030	27	Steel sheet enclosed switch-disconnector
OT200KFC3BA	1SCA022833R9950	19	Plastic enclosed switch-disconnector	OT45ELMM3B	1SCA022461R8510	28	Steel sheet enclosed switch-disconnector
OT200KFC4B	1SCA022530R4450	16	Plastic enclosed switch-disconnector	OT45ELMM3BZ	1SCA022461R9740	23	Steel sheet enclosed switch-disconnector
OT200KFC4BA	1SCA022834R0530	20	Plastic enclosed switch-disconnector	OT45ELMM3C	1SCA022473R2390	40	Steel sheet enclosed change-over switch
OT200KLA3B	1SCA022280R4060	28	Steel sheet enclosed switch-disconnector	OT45ELMM4B	1SCA022467R8590	29	Steel sheet enclosed switch-disconnector
OT200KLA3BZ	1SCA022302R7520	24	Steel sheet enclosed switch-disconnector	OT45ELMM4BZ	1SCA022467R9640	25	Steel sheet enclosed switch-disconnector
OT200KLA4C	1SCA022280R2360	40	Steel sheet enclosed change-over switch	OT45ELMM6BZ	1SCA022468R1380	27	Steel sheet enclosed switch-disconnector
OT200KLA4B	1SCA022341R0140	29	Steel sheet enclosed switch-disconnector	OT45ELPP3C	1SCA022473R2550	40	Steel sheet enclosed change-over switch
OT200KLA4BZ	1SCA022342R5410	26	Steel sheet enclosed switch-disconnector	OT630KFCC3B	1SCA022278R3990	15	Plastic enclosed switch-disconnector
OT200KLA4C	1SCA022474R6930	40	Steel sheet enclosed change-over switch	OT630KFCC3BA	1SCA022834R0370	19	Plastic enclosed switch-disconnector
OT200KLA6BZ	1SCA022717R9520	27	Steel sheet enclosed switch-disconnector	OT630KFCC4B	1SCA022584R5700	16	Plastic enclosed switch-disconnector
OT200KLUU3BZ	1SCA022602R0630	24	Steel sheet enclosed switch-disconnector	OT630KFCC4BA	1SCA022834R1000	20	Plastic enclosed switch-disconnector
OT200KLUU4BZ	1SCA022800R5740	26	Steel sheet enclosed switch-disconnector	OT630KLA3B	1SCA022280R0310	28	Steel sheet enclosed switch-disconnector
OT200KLUU6BZ	1SCA022802R4610	27	Steel sheet enclosed switch-disconnector	OT630KLA3BZ	1SCA022302R9140	24	Steel sheet enclosed switch-disconnector
OT250KFCC3B	1SCA022278R2150	15	Plastic enclosed switch-disconnector	OT630KLA4C	1SCA022280R3170	40	Steel sheet enclosed change-over switch
OT250KFCC3BA	1SCA022834R0020	19	Plastic enclosed switch-disconnector	OT630KLA4B	1SCA022341R1710	29	Steel sheet enclosed switch-disconnector
OT250KFCC4B	1SCA022530R4530	16	Plastic enclosed switch-disconnector	OT630KLA4BZ	1SCA022342R7030	26	Steel sheet enclosed switch-disconnector
OT250KFCC4BA	1SCA022834R0610	20	Plastic enclosed switch-disconnector	OT630KLA4C	1SCA022475R1180	40	Steel sheet enclosed change-over switch
OT250KLA3B	1SCA022280R4650	28	Steel sheet enclosed switch-disconnector	OT630KLA6BZ	1SCA022834R1420	27	Steel sheet enclosed switch-disconnector
OT250KLA3BZ	1SCA022302R7950	24	Steel sheet enclosed switch-disconnector	OT630KLUU3BZ	1SCA022750R1510	24	Steel sheet enclosed switch-disconnector
OT250KLA4C	1SCA022280R2520	40	Steel sheet enclosed change-over switch	OT630KLUU4BZ	1SCA022830R4490	26	Steel sheet enclosed switch-disconnector
OT250KLA4B	1SCA022341R0570	29	Steel sheet enclosed switch-disconnector	OT630KLUU6BZ	1SCA022834R1260	27	Steel sheet enclosed switch-disconnector
OT250KLA4BZ	1SCA022342R5840	26	Steel sheet enclosed switch-disconnector	OT63ELMM3B	1SCA022461R8770	28	Steel sheet enclosed switch-disconnector
OT250KLA4C	1SCA022474R7070	40	Steel sheet enclosed change-over switch	OT63ELMM3BZ	1SCA022461R9910	23	Steel sheet enclosed switch-disconnector
OT250KLA6BZ	1SCA022802R5770	27	Steel sheet enclosed switch-disconnector	OT63ELMM3C	1SCA022473R2710	40	Steel sheet enclosed change-over switch
OT250KLUU3BZ	1SCA022602R0710	24	Steel sheet enclosed switch-disconnector	OT63ELMM4B	1SCA022467R7430	29	Steel sheet enclosed switch-disconnector
OT250KLUU4BZ	1SCA022800R7360	26	Steel sheet enclosed switch-disconnector	OT63ELMM4BZ	1SCA022467R9810	25	Steel sheet enclosed switch-disconnector
OT250KLUU6BZ	1SCA022802R4530	27	Steel sheet enclosed switch-disconnector	OT63ELMM6BZ	1SCA022468R1460	27	Steel sheet enclosed switch-disconnector
OT25ELMM3B	1SCA022461R8180	28	Steel sheet enclosed switch-disconnector	OT63ELPP3C	1SCA022473R2980	40	Steel sheet enclosed change-over switch

Type	Order number	Page	Description
OT800KFCC3B	1SCA022303R0310	15	Plastic enclosed switch-disconnector
OT800KFCC3BA	1SCA022834R0450	19	Plastic enclosed switch-disconnector
OT800KFCC4B	1SCA022609R5560	16	Plastic enclosed switch-disconnector
OT800KFCC4BA	1SCA022834R1180	20	Plastic enclosed switch-disconnector
OT800KLA43B	1SCA022280R0910	28	Steel sheet enclosed switch-disconnector
OT800KLA43BZ	1SCA022302R9570	24	Steel sheet enclosed switch-disconnector
OT800KLA43C	1SCA022389R8310	40	Steel sheet enclosed change-over switch
OT800KLA44B	1SCA022337R4830	29	Steel sheet enclosed switch-disconnector
OT800KLA44BZ	1SCA022342R7460	26	Steel sheet enclosed switch-disconnector
OT800KLA44C	1SCA022580R4340	40	Steel sheet enclosed change-over switch
OT800KLA6BZ	1SCA022834R1340	27	Steel sheet enclosed switch-disconnector
OT800KLUU3BZ	1SCA022750R1600	24	Steel sheet enclosed switch-disconnector
OT800KLUU4BZ	1SCA022830R4570	26	Steel sheet enclosed switch-disconnector
OT800KLUU6BZ	1SCA022834R1690	27	Steel sheet enclosed switch-disconnector
OTL100B3B	1SCA022562R8350	23	Steel sheet enclosed switch-disconnector
OTL100B3U	1SCA022562R8430	23	Steel sheet enclosed switch-disconnector
OTL100B4B	1SCA022562R8510	25	Steel sheet enclosed switch-disconnector
OTL100B4U	1SCA022562R8600	25	Steel sheet enclosed switch-disconnector
OTL100BA3B	1SCA022562R8940	30	Steel sheet enclosed switch-disconnector
OTL100BA3U	1SCA022562R9080	30	Steel sheet enclosed switch-disconnector
OTL100BA4B	1SCA022562R9160	30	Steel sheet enclosed switch-disconnector
OTL100BA4U	1SCA022562R9240	30	Steel sheet enclosed switch-disconnector
OTL125B3B	1SCA022562R9590	23	Steel sheet enclosed switch-disconnector
OTL125B3U	1SCA022562R9670	23	Steel sheet enclosed switch-disconnector
OTL125B4B	1SCA022562R9830	25	Steel sheet enclosed switch-disconnector
OTL125B4U	1SCA022562R9910	25	Steel sheet enclosed switch-disconnector
OTL125BA3B	1SCA022563R0250	30	Steel sheet enclosed switch-disconnector
OTL125BA3U	1SCA022563R0330	30	Steel sheet enclosed switch-disconnector
OTL125BA4B	1SCA022563R0410	30	Steel sheet enclosed switch-disconnector
OTL125BA4U	1SCA022563R0500	30	Steel sheet enclosed switch-disconnector
OTL16B3M	1SCA022562R1260	23	Steel sheet enclosed switch-disconnector
OTL16B4M	1SCA022562R4120	25	Steel sheet enclosed switch-disconnector
OTL16B6M	1SCA022562R1690	27	Steel sheet enclosed switch-disconnector
OTL16BA3M	1SCA022562R1850	30	Steel sheet enclosed switch-disconnector
OTL16BA4M	1SCA022562R2070	30	Steel sheet enclosed switch-disconnector
OTL16BA6M	1SCA022562R2230	31	Steel sheet enclosed switch-disconnector
OTL25B3M	1SCA022562R2400	23	Steel sheet enclosed switch-disconnector
OTL25B4M	1SCA022562R2660	25	Steel sheet enclosed switch-disconnector
OTL25B6M	1SCA022562R2820	27	Steel sheet enclosed switch-disconnector
OTL25BA3M	1SCA022562R3040	30	Steel sheet enclosed switch-disconnector
OTL25BA4M	1SCA022562R3210	30	Steel sheet enclosed switch-disconnector
OTL25BA6M	1SCA022562R3470	31	Steel sheet enclosed switch-disconnector
OTL32B3M	1SCA022562R3630	23	Steel sheet enclosed switch-disconnector
OTL32B4M	1SCA022562R3800	25	Steel sheet enclosed switch-disconnector
OTL32B6M	1SCA022562R4010	27	Steel sheet enclosed switch-disconnector
OTL32BA3M	1SCA022562R4100	30	Steel sheet enclosed switch-disconnector
OTL32BA4M	1SCA022562R4360	30	Steel sheet enclosed switch-disconnector
OTL32BA6M	1SCA022562R4520	31	Steel sheet enclosed switch-disconnector
OTL45B3M	1SCA022562R4790	23	Steel sheet enclosed switch-disconnector
OTL45B4M	1SCA022562R4950	25	Steel sheet enclosed switch-disconnector
OTL45B6B	1SCA022610R4730	27	Steel sheet enclosed switch-disconnector
OTL45B6U	1SCA022610R4810	27	Steel sheet enclosed switch-disconnector
OTL45BA3M	1SCA022562R5330	30	Steel sheet enclosed switch-disconnector
OTL45BA4M	1SCA022562R5500	30	Steel sheet enclosed switch-disconnector
OTL45BA6B	1SCA022610R5110	31	Steel sheet enclosed switch-disconnector
OTL45BA6U	1SCA022610R5200	31	Steel sheet enclosed switch-disconnector
OTL63B3M	1SCA022562R5920	23	Steel sheet enclosed switch-disconnector
OTL63B4M	1SCA022562R6140	25	Steel sheet enclosed switch-disconnector
OTL63B6B	1SCA022610R4900	27	Steel sheet enclosed switch-disconnector
OTL63B6U	1SCA022610R5030	27	Steel sheet enclosed switch-disconnector
OTL63BA3M	1SCA022562R6570	30	Steel sheet enclosed switch-disconnector
OTL63BA4M	1SCA022562R6730	30	Steel sheet enclosed switch-disconnector
OTL63BA6B	1SCA022610R5380	31	Steel sheet enclosed switch-disconnector
OTL63BA6U	1SCA022610R5460	31	Steel sheet enclosed switch-disconnector
OTP125B3B	1SCA022383R3700	15	Plastic enclosed switch-disconnector
OTP125B3M	1SCA022812R7180	15	Plastic enclosed switch-disconnector
OTP125B3U	1SCA022401R3270	15	Plastic enclosed switch-disconnector
OTP125B4B	1SCA022401R5210	16	Plastic enclosed switch-disconnector
OTP125B4M	1SCA022812R7260	16	Plastic enclosed switch-disconnector

Type	Order number	Page	Description
OTP125B4U	1SCA022401R5300	16	Plastic enclosed switch-disconnector
OTP125B6B	1SCA022401R6610	17	Plastic enclosed switch-disconnector
OTP125B6M	1SCA022812R7340	17	Plastic enclosed switch-disconnector
OTP125B6U	1SCA022401R6700	17	Plastic enclosed switch-disconnector
OTP125BA3B	1SCA022389R7420	19	Plastic enclosed switch-disconnector
OTP125BA3M	1SCA022812R7420	19	Plastic enclosed switch-disconnector
OTP125BA3U	1SCA022401R3940	19	Plastic enclosed switch-disconnector
OTP125BA4B	1SCA022571R8510	20	Plastic enclosed switch-disconnector
OTP125BA4M	1SCA022812R7510	20	Plastic enclosed switch-disconnector
OTP125BA4U	1SCA022459R7160	20	Plastic enclosed switch-disconnector
OTP125BA6B	1SCA022401R7510	21	Plastic enclosed switch-disconnector
OTP125BA6M	1SCA022812R7690	21	Plastic enclosed switch-disconnector
OTP125BA6U	1SCA022401R7690	21	Plastic enclosed switch-disconnector
OTP16B3M	1SCA022383R2130	15	Plastic enclosed switch-disconnector
OTP16B3M25	1SCA022699R2880	15	Plastic enclosed switch-disconnector
OTP16B3P	1SCA022383R0940	15	Plastic enclosed switch-disconnector
OTP16B4M	1SCA022401R4160	16	Plastic enclosed switch-disconnector
OTP16B4P	1SCA022419R8620	16	Plastic enclosed switch-disconnector
OTP16B6M	1SCA022401R5560	17	Plastic enclosed switch-disconnector
OTP16B6P	1SCA022401R5480	17	Plastic enclosed switch-disconnector
OTP16BA3M	1SCA022401R3350	19	Plastic enclosed switch-disconnector
OTP16BA3M25	1SCA022699R2960	19	Plastic enclosed switch-disconnector
OTP16BA3MS	1SCA022643R0530	22	Plastic enclosed switch-disconnector
OTP16BA3P	1SCA022389R6880	19	Plastic enclosed switch-disconnector
OTP16BA4M	1SCA022459R6510	20	Plastic enclosed switch-disconnector
OTP16BA4MS	1SCA022643R0610	22	Plastic enclosed switch-disconnector
OTP16BA4P	1SCA022401R4080	20	Plastic enclosed switch-disconnector
OTP16BA6M	1SCA022401R6880	21	Plastic enclosed switch-disconnector
OTP16BA6P	1SCA022394R5330	21	Plastic enclosed switch-disconnector
OTP16BA8MS	1SCA022643R0700	22	Plastic enclosed switch-disconnector
OTP16HB3M	1SCA022401R2970	15	Plastic enclosed switch-disconnector
OTP16HB3M25	1SCA022699R3690	15	Plastic enclosed switch-disconnector
OTP16HB3P	1SCA022389R6700	15	Plastic enclosed switch-disconnector
OTP16HB3U	1SCA022401R3010	15	Plastic enclosed switch-disconnector
OTP25B3M	1SCA022383R2640	15	Plastic enclosed switch-disconnector
OTP25B3P	1SCA022383R2560	15	Plastic enclosed switch-disconnector
OTP25B4M	1SCA022401R4320	16	Plastic enclosed switch-disconnector
OTP25B4P	1SCA022401R4240	16	Plastic enclosed switch-disconnector
OTP25B6M	1SCA022401R5720	17	Plastic enclosed switch-disconnector
OTP25B6P	1SCA022401R5640	17	Plastic enclosed switch-disconnector
OTP25BA3M	1SCA022401R3430	19	Plastic enclosed switch-disconnector
OTP25BA3P	1SCA022389R6960	19	Plastic enclosed switch-disconnector
OTP25BA4M	1SCA022459R6600	20	Plastic enclosed switch-disconnector
OTP25BA4P	1SCA022433R8140	20	Plastic enclosed switch-disconnector
OTP25BA6M	1SCA022401R6960	21	Plastic enclosed switch-disconnector
OTP25BA6P	1SCA022394R5410	21	Plastic enclosed switch-disconnector
OTP32B3M	1SCA022389R8400	15	Plastic enclosed switch-disconnector
OTP32B3P	1SCA022389R7510	15	Plastic enclosed switch-disconnector
OTP32B4M	1SCA022401R4590	16	Plastic enclosed switch-disconnector
OTP32B4P	1SCA022401R4410	16	Plastic enclosed switch-disconnector
OTP32B6M	1SCA022401R5990	17	Plastic enclosed switch-disconnector
OTP32B6P	1SCA022401R5810	17	Plastic enclosed switch-disconnector
OTP32BA3M	1SCA022401R3510	19	Plastic enclosed switch-disconnector
OTP32BA3MS	1SCA022643R0880	22	Plastic enclosed switch-disconnector
OTP32BA3P	1SCA022389R7000	19	Plastic enclosed switch-disconnector
OTP32BA4M	1SCA022459R6780	20	Plastic enclosed switch-disconnector
OTP32BA4P	1SCA022433R8220	20	Plastic enclosed switch-disconnector
OTP32BA6M	1SCA022401R7000	21	Plastic enclosed switch-disconnector
OTP32BA6P	1SCA022394R5680	21	Plastic enclosed switch-disconnector
OTP32BA8MS	1SCA022643R1000	22	Plastic enclosed switch-disconnector
OTP45B3M	1SCA022383R3020	15	Plastic enclosed switch-disconnector
OTP45B3P	1SCA022383R2990	15	Plastic enclosed switch-disconnector
OTP45B4M	1SCA022401R4750	16	Plastic enclosed switch-disconnector
OTP45B4P	1SCA022401R4670	16	Plastic enclosed switch-disconnector
OTP45B6M	1SCA022401R6110	17	Plastic enclosed switch-disconnector
OTP45B6P	1SCA022401R6020	17	Plastic enclosed switch-disconnector
OTP45BA3M	1SCA022401R3600	19	Plastic enclosed switch-disconnector
OTP45BA3P	1SCA022389R7180	19	Plastic enclosed switch-disconnector
OTP45BA4M	1SCA022459R6860	20	Plastic enclosed switch-disconnector

Type	Order number	Page	Description	Type	Order number	Page	Description
OTP45BA4P	1SCA022571R5080	20	Plastic enclosed switch-disconnector	OTR25BA6M	1SCA022575R3090	35	Stainless steel sheet enclosed switch-disconnector
OTP45BA6M	1SCA022401R7180	21	Plastic enclosed switch-disconnector	OTR32B3M	1SCA022567R9850	32	Stainless steel sheet enclosed switch-disconnector
OTP45BA6P	1SCA022394R5840	21	Plastic enclosed switch-disconnector	OTR32B4M	1SCA022568R1410	32	Stainless steel sheet enclosed switch-disconnector
OTP63B3M	1SCA022383R3450	15	Plastic enclosed switch-disconnector	OTR32B6M	1SCA022575R3250	33	Stainless steel sheet enclosed switch-disconnector
OTP63B3P	1SCA022383R3370	15	Plastic enclosed switch-disconnector	OTR32BA3M	1SCA022569R5970	34	Stainless steel sheet enclosed switch-disconnector
OTP63B4M	1SCA022401R4910	16	Plastic enclosed switch-disconnector	OTR32BA4M	1SCA022569R6010	34	Stainless steel sheet enclosed switch-disconnector
OTP63B4P	1SCA022401R4830	16	Plastic enclosed switch-disconnector	OTR32BA6M	1SCA022575R3410	35	Stainless steel sheet enclosed switch-disconnector
OTP63B6M	1SCA022401R6370	17	Plastic enclosed switch-disconnector	OTR45B3M	1SCA022567R0010	32	Stainless steel sheet enclosed switch-disconnector
OTP63B6P	1SCA022401R6290	17	Plastic enclosed switch-disconnector	OTR45B4M	1SCA022568R1670	32	Stainless steel sheet enclosed switch-disconnector
OTP63BA3M	1SCA022401R3780	19	Plastic enclosed switch-disconnector	OTR45B6B	1SCA022611R6660	33	Stainless steel sheet enclosed switch-disconnector
OTP63BA3P	1SCA022389R7260	19	Plastic enclosed switch-disconnector	OTR45B6U	1SCA022611R6820	33	Stainless steel sheet enclosed switch-disconnector
OTP63BA4M	1SCA022459R6940	20	Plastic enclosed switch-disconnector	OTR45BA3M	1SCA022569R6350	34	Stainless steel sheet enclosed switch-disconnector
OTP63BA4P	1SCA022571R5160	20	Plastic enclosed switch-disconnector	OTR45BA4M	1SCA022569R6430	34	Stainless steel sheet enclosed switch-disconnector
OTP63BA6M	1SCA022401R7260	21	Plastic enclosed switch-disconnector	OTR45BA6B	1SCA022611R6910	35	Stainless steel sheet enclosed switch-disconnector
OTP63BA6P	1SCA022394R5760	21	Plastic enclosed switch-disconnector	OTR45BA6U	1SCA022611R7040	35	Stainless steel sheet enclosed switch-disconnector
OTR100B3B	1SCA022568R0510	32	Stainless steel sheet enclosed switch-disconnector	OTR63B3M	1SCA022567R0270	32	Stainless steel sheet enclosed switch-disconnector
OTR100B3U	1SCA022568R0600	32	Stainless steel sheet enclosed switch-disconnector	OTR63B4M	1SCA022568R1830	32	Stainless steel sheet enclosed switch-disconnector
OTR100B4B	1SCA022568R2130	32	Stainless steel sheet enclosed switch-disconnector	OTR63B6B	1SCA022611R7120	33	Stainless steel sheet enclosed switch-disconnector
OTR100B4U	1SCA022568R2210	32	Stainless steel sheet enclosed switch-disconnector	OTR63B6U	1SCA022611R7210	33	Stainless steel sheet enclosed switch-disconnector
OTR100BA3B	1SCA022569R7320	34	Stainless steel sheet enclosed switch-disconnector	OTR63BA3M	1SCA022569R6780	34	Stainless steel sheet enclosed switch-disconnector
OTR100BA3U	1SCA022569R7590	34	Stainless steel sheet enclosed switch-disconnector	OTR63BA4M	1SCA022569R6860	34	Stainless steel sheet enclosed switch-disconnector
OTR100BA4B	1SCA022569R7410	34	Stainless steel sheet enclosed switch-disconnector	OTR63BA6B	1SCA022611R7390	35	Stainless steel sheet enclosed switch-disconnector
OTR100BA4U	1SCA022569R7670	34	Stainless steel sheet enclosed switch-disconnector	OTR63BA6U	1SCA022611R7470	35	Stainless steel sheet enclosed switch-disconnector
OTR125B3B	1SCA022568R0780	32	Stainless steel sheet enclosed switch-disconnector	OTZC13	1SCA022767R6910	51	Bridging bar
OTR125B3U	1SCA022568R0860	32	Stainless steel sheet enclosed switch-disconnector	OTZC14	1SCA022767R7040	51	Bridging bar
OTR125B4B	1SCA022568R2300	32	Stainless steel sheet enclosed switch-disconnector	OTZC23	1SCA022767R7120	51	Bridging bar
OTR125B4U	1SCA022568R2480	32	Stainless steel sheet enclosed switch-disconnector	OTZC24	1SCA022767R7210	51	Bridging bar
OTR125BA3B	1SCA022569R7750	34	Stainless steel sheet enclosed switch-disconnector	OTZC33	1SCA022785R7020	51	Bridging bar
OTR125BA3U	1SCA022569R7910	34	Stainless steel sheet enclosed switch-disconnector	OTZC34	1SCA022785R7110	51	Bridging bar
OTR125BA4B	1SCA022569R7830	34	Stainless steel sheet enclosed switch-disconnector	OTZR1	1SCA100352R1001	51	Reversing bar
OTR125BA4U	1SCA022569R8050	34	Stainless steel sheet enclosed switch-disconnector	OTZR2	1SCA104647R1001	51	Reversing bar
OTR16B3M	1SCA022567R9420	32	Stainless steel sheet enclosed switch-disconnector	OTZR3	1SCA100355R1001	51	Reversing bar
OTR16B4M	1SCA022568R1080	32	Stainless steel sheet enclosed switch-disconnector	OZXA32	1SCA022683R4110	51	Connection bar
OTR16B6M	1SCA022575R2440	33	Stainless steel sheet enclosed switch-disconnector	OZXA33	1SCA022685R0310	51	Connection bar
OTR16BA3M	1SCA022569R5110	34	Stainless steel sheet enclosed switch-disconnector	OZXA38	1SCA022790R3740	51	Connection bar
OTR16BA4M	1SCA022569R5200	34	Stainless steel sheet enclosed switch-disconnector	OZXA39	1SCA022785R2490	51	Connection bar
OTR16BA6M	1SCA022575R2610	35	Stainless steel sheet enclosed switch-disconnector	OZXK1	2CMA144522R1000	50	Auxiliary contacts
OTR25B3M	1SCA022567R9690	32	Stainless steel sheet enclosed switch-disconnector	OZXK12	2CMA144521R1000	50	Auxiliary contacts
OTR25B4M	1SCA022568R1240	32	Stainless steel sheet enclosed switch-disconnector	YJTB3	1SCA122170R1001	57	Condensation water outlet
OTR25B6M	1SCA022575R2870	33	Stainless steel sheet enclosed switch-disconnector	YMF-MB10215	1SCA022191R2170	55	Cover plate, I/B
OTR25BA3M	1SCA022569R5540	34	Stainless steel sheet enclosed switch-disconnector	YMF-MB10345	1SCA010352R7030	55	Screw for cover plate
OTR25BA4M	1SCA022569R5620	34	Stainless steel sheet enclosed switch-disconnector	YMF-MB10674	1SCA022229R0010	55	Mounting lugs
				YMF-MB10661SET	1SCA022715R9090	55	II/C-flange
				YMF-MB10662SET	1SCA022715R9170	55	II/C-flange
				YMF-MK10440	1SCA022660R7130	55	Gasket for cover plate, I/B

# Contact us

## ABB Oy

### Low Voltage Switches

P.O. Box 622

FI-65101 Vaasa, Finland

Phone: +358 10 22 11

Fax: +358 10 22 45708

E-Mail: [firstname.surname@fi.abb.com](mailto:firstname.surname@fi.abb.com)

## ABB AB

### Cewe-Control

Box 1005

SE-611 29 Nyköping, Sweden

Phone: +46 155 29 50 00

Fax: +46 155 28 81 10

E-Mail: [firstname.surname@se.abb.com](mailto:firstname.surname@se.abb.com)

[www.abb.com](http://www.abb.com)

The technical data and dimensions are valid at the time of printing. We reserve the right to subsequent alterations.

