



豐盛電器私人有限公司

FENGSHENG ELECTRIC CO PTE LTD

257, Kaki Bukit Ave 1, Shun Li Industrial Park, Singapore 416063

Tel : (65) 6 8443322

Fax: (65) 6 8443326

sales@fengshengelectric.com.sg

www.fengshengelectric.com.sg

Low Voltage Products

ABB Enclosed Load Break Switches/Isolators

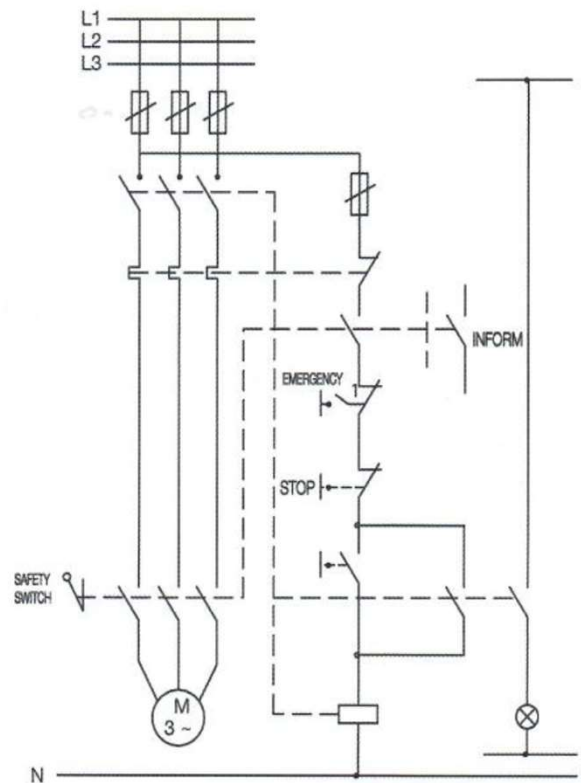


Enclosed 3 Pole / 4 Pole Load Break Switch/Isolator

- Main ABB switches
- Local isolators
- Safety switches
- Emergency switches
- Motor control switches

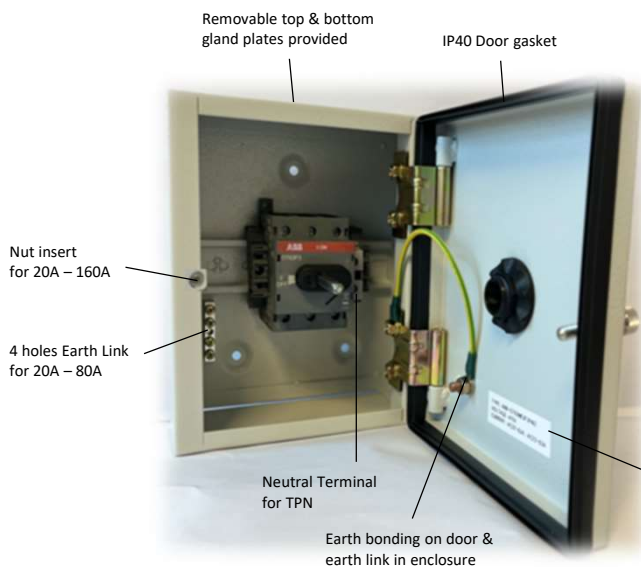
Features

- Wide range
Switch sizes from ABB-OT25A up to 1600A (details for above 400A, separate request)
 - 3-pole with neutral
 - 4-pole
 - Auxiliary contacts (N.O. and/or N.C.) as optional.
- Padlocking with 3 padlocks in OFF-position. Handles pad-lockable in both ON- and Off-positions as optional. Door coupling can be defeated through defeater hole by skilled personal.
- Reliable position indication.
- Door interlocked in ON-position.
- Protection degree IP40 & IP65
- Standard set of termination bolts provided (160A & above).
- Tested to IEC 60947-3.

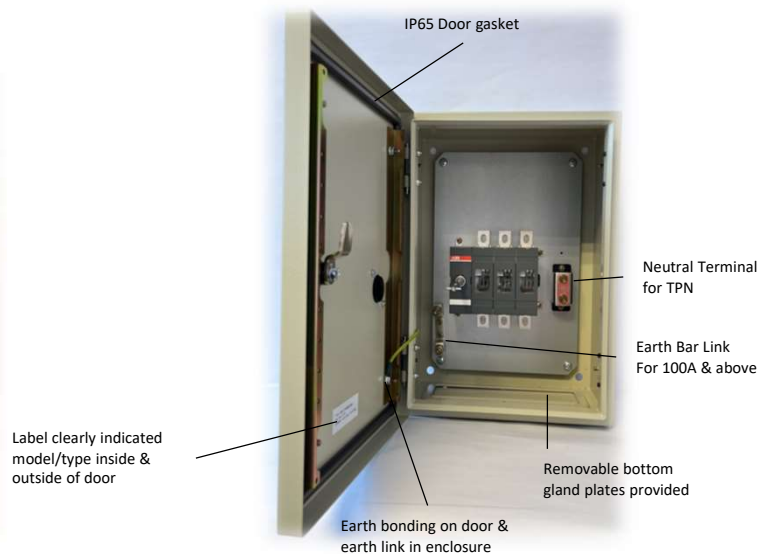


Typical diagram of a safety switch

Indoor - IP40



WP - IP65



Technical data according to IEC 60947-3

Switch type		OT16F	OT25F	OT40F	OT63F	OT80F	OT100F	OT125F	
Rated insulation voltage and rated operational voltage AC20/DC20	Pollution degree 3 50 Hz 1 min.	750 V	750 V	750 V	750 V	750 V	750 V	750 V	
Dielectric strength		6 kV	6 kV	6 kV	6 kV	6 kV	6 kV	6 kV	
Rated impulse withstand voltage		8 kV	8 kV	8 kV	8 kV	8 kV	8 kV	8	
Rated thermal current and rated operational current AC20/DC20	Ambient 40 °C ²⁾	In open air	25 A	32 A	40 A	63 A	80 A	115 A	125 A
	Ambient 40 °C ²⁾	In enclosure	25 A	32 A	40 A	63 A	80 A	115 A	125 A
	Ambient 60 °C	In enclosure	20 A	25 A	32 A	50 A	63 A	80 A	100 A
...with minimum conductor cross section	Cu	4 mm ²	6 mm ²	10 mm ²	16 mm ²	25 mm ²	35 mm ²	50 mm ²	
Rated operational current, AC-21A	up to 415 V	16 A	25 A	40 A	63 A	80 A	100 A	125 A	
	440...690 V	16 A	25 A	40 A	63 A	80 A	100 A	125 A	
Rated operational current, AC-22A	up to 415 V	16 A	25 A	40 A	63 A	80 A	100 A	125 A	
	440...690 V	16 A	25 A	40 A	63 A	80 A	100 A	125 A	
Rated operational current, AC-23A	up to 415 V	16 A	20 A	23 A	63 A	75 A	80 A	90 A	
	440 V	16 A	20 A	23 A	63 A	65 A	65 A	78 A	
	500 V	16 A	20 A	23 A	45 A	58 A	60 A	70 A	
	690 V	10 A	11 A	12 A	20 A	20 A	40 A	50 A	
Rated operational current / poles in series, DC-21A	24...48 V ¹⁾	16 A/1	25 A/1	32 A/1	63 A/1	80 A/1	100 A/1	125 A/1	
	110 V	16 A/2	25 A/2	32 A/2	63 A/2	80 A/2	100 A/2	125 A/2	
	220 V	16 A/3	25 A/3	32 A/3	63 A/4	80 A/4	100 A/4	125 A/4	
	440 V	16 A/4	16 A/4	16 A/4	16 A/4	16 A/4	-	-	
	500 V	16 A/4	16 A/4	16 A/4	16 A/4	16 A/4	-	-	
	750 V	16 A/8	25 A/8	32 A/8	-	-	-	-	
Rated operational current / poles in series, DC-22A	24...48 V ¹⁾	16 A/1	25 A/1	32 A/1	63 A/1	80 A/1	100 A/1	125 A/1	
	110 V	16 A/2	25 A/2	32 A/2	63 A/2	80 A/2	100 A/2	125 A/2	
	220 V	16 A/3	25 A/3	32 A/4	45 A/4	45 A/4	63 A/4	80 A/4	
	440 V	10 A/4	10 A/4	10 A/4	10 A/4	10 A/4	-	-	
	750 V	16 A/8	25 A/8	25 A/8	-	-	-	-	
Rated operational current / poles in series, DC-23A	24...48 V ¹⁾	16 A/1	25 A/1	32 A/1	63 A/1	80 A/1	100 A/1	125 A/1	
	110 V	16 A/2	25 A/2	32 A/2	63 A/2	80 A/2	100 A/2	125 A/2	
	220 V	16 A/4	25 A/4	32 A/4	45 A/4	45 A/4	63 A/4	63 A/4	
	440 V	10 A/4	10 A/4	10 A/4	10 A/4	10 A/4	-	-	
	750 V	16 A/8	16 A/8	16 A/8	-	-	-	-	
Rated operational power, AC-23A (These values are given for guidance and may vary acc. to the motor manufacturer)	220...240 V	3 kW	4 kW	5.5 kW	11 kW	22 kW	22 kW	22 kW	
	400...415 V	7.5 kW	9 kW	11 kW	22 kW	37 kW	37 kW	45 kW	
	440...500 V	7.5 kW	9 kW	11 kW	22 kW	37 kW	37 kW	45 kW	
	690 V	7.5 kW	9 kW	11 kW	15 kW	18.5 kW	37 kW	45 kW	
Rated breaking capacity, AC-23A	up to 415 V	128 A	160 A	184 A	360 A	640 A	640 A	720 A	
	440 V	128 A	160 A	184 A	360 A	448 A	520 A	624 A	
	500 V	128 A	160 A	184 A	360 A	464 A	480 A	560 A	
	690 V	80 A	88 A	96 A	160 A	160 A	320 A	400 A	
Rated breaking capacity/ poles in series, DC-23A	24...48 V	64 A/1	100 A/1	128 A/1	180 A/1	252 A/1	400 A/1	500 A/1	
	110 V	64 A/2	100 A/2	128 A/2	180 A/2	252 A/2	400 A/2	500 A/2	
	220 V	64 A/3	100 A/4	128 A/4	180 A/4	180 A/4	252 A/4	252 A/4	
	440 V	40 A/4	40 A/4	40 A/4	40 A/4	40 A/4	-	-	
	750 V	64 A/8	64 A/8	64 A/8	-	-	-	-	
Rated conditional short-circuit current I _q (r.m.s.) and corresponding max. Allowed cut-off current I _c of fuse. The cut-off current I _c refers to values listed by fuse manufacturers (single phase test acc. To IEC60269)	I _q 50kA, ≤415V Max. OFA_fuse size	gG/aM	40 A/32 A	40 A/32 A	40 A/32 A	100 A/80 A	100 A/80 A	125 A/125 A	125 A/125 A
	I _q 100kA, 500V Max. OFA_fuse size	gG/aM	-	-	-	17 kA	17 kA	-	-
	I _q 10kA, 690V Max. OFA_fuse size	gG/aM	-	-	-	-	-	8.2 kA	8.2 kA
	I _q 50kA, 690V Max. OFA_fuse size	gG/aM	-	-	-	-	-	125 A/100 A	125 A/100 A
	I _q 50kA, 690V Max. OFA_fuse size	gG/aM	25 A/16 A	25 A/16 A	25 A/16 A	80 A/63 A	80 A/63 A	63 A/63 A	63 A/63 A
Rated short-time withstand current	r.m.s.-value I _{cw}	690 V, 1 s	0.5 kA	0.5 kA	0.5 kA	1 kA	1.5 kA	2.5 kA	2.5 kA
Rated short circuit making capacity	Peak value I _{cm}	690 V/500 V	0.71 kA	0.71 kA	0.71 kA	1.4 kA	2.1 kA	3.6 kA	3.6 kA
Rated capacitor power (the capacitor ratings are limited by the fuse link.)		400...415 V	6.5 kVAr	10 kVAr	15 kVAr	25 kVAr	30 kVAr	40 kVAr	50 kVAr
Power loss/pole	At rated operational current		0.3 W	0.6 W	1.6 W	2.8 W	4.5 W	4.0 W	6.3 W
Mechanical endurance	Divide by two for operation cycles		20 000 Oper.	20 000 Oper.	20 000 Oper.	20 000 Oper.	20 000 Oper.	20 000 Oper.	20 000 Oper.
Weight without accessories	3-pole		0.11 kg	0.11 kg	0.11 kg	0.27 kg	0.27 kg	0.36 kg	0.36 kg
	4-pole		0.15 kg	0.15 kg	0.15 kg	0.35 kg	0.35 kg	0.50 kg	0.50 kg
Cable size	Cu-wire size suitable for terminal clamps		0.75...10 mm ²	0.75...10 mm ²	0.75...10 mm ²	1.5...35 mm ²	1.5...35 mm ²	10...70 mm ²	10...70 mm ²
			18-8 AWG	18-8 AWG	18-8 AWG	14-4 AWG	14-4 AWG	8-00 AWG	8-00 AWG
Terminal tightening torque	Counter torque required		0.8 Nm	0.8 Nm	0.8 Nm	2 Nm	2 Nm	6 Nm	6 Nm
Operating torque	3-pole switch-disconnector		1 Nm	1 Nm	1 Nm	1.2 Nm	1.2 Nm	2 Nm	2 Nm

¹⁾ Below 48 V, two poles in parallel up to OT80 are recommended particularly in polluted atmosphere.

²⁾ Acc. to IEC 60947-1, § 6.1.1.

Manual switch-disconnectors OT160...4000, IEC

Technical data



Technical data according to IEC 60947-3

Switch type		OT160EV	OT200E	OT250E	OT315E	OT400E	OT630E	OT800E
Rated insulation voltage and rated operational voltage AC-20, DC-20	Pollution degree 3	1 000 V	1 000 V	1 000 V	1 000 V	V 1 000	1 000 V	1 000 V
Dielectric strength	50 Hz 1 min.	10 kV	10 kV	10 kV	10 kV	10 kV	10 kV	10 kV
Rated impulse withstand voltage		12 kV	12 kV	12 kV	12 kV	12 kV	12 kV	12 kV
Rated thermal current and rated operational current AC-20, DC-20 in ambient 40 °C ⁴⁾	In open air	200 A	200 A	250 A	315 A	400 A	630 A	800 A
	In enclosure	160 A	200 A	250 A	315 A	400 A	630 A	800 A
...with minimum cable cross section	Cu	70 mm ²	95 mm ²	120 mm ²	185 mm ²	240 mm ²	2x185 mm ²	2x240 mm ²
Rated operational current, AC-21A		≤ 500 V	200 A	200 A	250 A	315 A	400 A	630 A
		690 V	160 A	200 A	250 A	315 A	400 A	630 A
		1000 V	160 A	200 A	250 A	315 A	400 A	630 A
Rated operational current, AC-22A		≤ 500 V	200 A	200 A	250 A	315 A	400 A	630 A
		690 V	160 A	200 A	250 A	315 A	400 A	630 A
		1000 V	160 A	200 A	250 A	315 A	400 A	630 A
Rated operational current, AC-23A		≤ 500 V	160 A	200 A	250 A	315 A	400 A	630 A
		690 V	160 A	200 A	250 A	315 A	400 A	630 A
		1000 V	135 A	135 A	135 A	200 A	200 A	400 A
Rated operational current / poles in series, DC-21A ¹⁾		24...110 V	160 A/2	200 A/2	250 A/2	315 A/1 ²⁾	400 A/1 ²⁾	630 A/1
		220 V	160 A/2	200 A/2	250 A/2	315 A/2 ²⁾	400 A/2 ²⁾	630 A/1
		440 V	160 A/3	200 A/3	250 A/3	315 A/3	360 A/3	630 A/2
		660 V	160 A/4	200 A/4	230 A/4 ²⁾	315 A/4	360 A/4	630 A/4 ²⁾
Rated operational current / poles in series, DC-21B		800 V	160 A/5	200 A/5	250 A/5	315 A/5	400 A/5	600 A/5
		1000 V	160 A/6	200 A/6	250 A/6	315 A/6	400 A/6	600 A/6
Rated operational power, AC-23 ³⁾		230 V	48 kW	60 kW	75 kW	100 kW	132 kW	200 kW
		400 V	80 kW	110 kW	140 kW	160 kW	220 kW	355 kW
		415 V	88 kW	110 kW	145 kW	180 kW	230 kW	355 kW
		500 V	112 kW	132 kW	170 kW	220 kW	280 kW	400 kW
		690 V	144 kW	200 kW	250 kW	315 kW	400 kW	630 kW
Rated breaking capacity in category AC-23		≤ 500 V	1 280 A	1 600 A	2 000 A	2 520 A	3 200 A	5 040 A
		690 V	1 280 A	1 600 A	2 000 A	2 520 A	3 200 A	5 040 A
Rated conditional short-circuit current I _{cs} (r.m.s.) and corresponding max. allowed cut-off current I _c . The cut-off current I _c refers to values listed by fuse manufacturers (single phase test acc. to IEC60269)	Iq 100kA, 500V Max. OFA_fuse size	I _c	40.5 kA	40.5 kA	40.5 kA	61.5 kA	61.5 kA	90 kA
		gG/aM	315 A/315 A	315 A/315 A	315 A/315 A	500 A/450 A	500 A/450 A	800 A/1 000 A
	Iq 80kA, 690V Max. OFA_fuse size	I _c	40.5 kA	40.5 kA	40.5 kA	59 kA	59 kA	83.5 kA
		gG/aM	355 A/315 A	355 A/315 A	355 A/315 A	500 A/500 A	500 A/500 A	800 A/1 000 A
Rated short-time withstand current	r.m.s. value I _{cw}	≤ 1000 V 0.15 s	15 kA	15 kA	15 kA	31 kA	31 kA	38 kA
		≤ 1000 V 0.25 s	15 kA	15 kA	15 kA	24 kA	24 kA	36 kA
		≤ 1000 V 1 s	8 kA	8 kA	8 kA	15 kA	15 kA	20 kA
Rated short-circuit making capacity	Peak value I _{cm}	≤ 1000 V	30 kA	30 kA	30 kA	65 kA	65 kA	80 kA
Rated capacitor power when no initial charge on the capacitor	The capacitor ratings are limited by the fuse links	415 V	80 kVAr	100 kVAr	115 kVAr	145 kVAr	180 kVAr	250 kVAr
		500 V	96 kVAr	120 kVAr	135 kVAr	175 kVAr	215 kVAr	300 kVAr
		690 V	128 kVAr	160 kVAr	190 kVAr	250 kVAr	325 kVAr	450 kVAr
Power loss / pole	With rated current		3.2 W	4 W	6.5 W	6.5 W	10 W	25 W
Mechanical endurance	Divide by two for oper. cycles		20 000 Oper.	20 000 Oper.	20 000 Oper.	16 000 Oper.	16 000 Oper.	10 000 Oper.
Weight without accessories	3-pole switch		1.3 kg	1.3 kg	1.3 kg	2.8 kg	2.8 kg	6.1 kg
Terminal bolt size	Metric thread diameter x length		M8x25 mm	M8x25 mm	M8x25 mm	M10x30 mm	M10x30 mm	M12x40 mm
Terminal tightening torque	Counter torque required		15-22 Nm	15-22 Nm	15-22 Nm	30-44 Nm	30-44 Nm	50-75 Nm
Operating torque	3-pole switch disconnector		7 Nm	7 Nm	7 Nm	16 Nm	16 Nm	27 Nm

¹⁾ Further ratings on request.

²⁾ Category B.

³⁾ These values are given for guidance and may vary acc. to the motor manufacturer.

⁴⁾ Acc. to IEC 60947-1, § 6.1.1.

Manual switch-disconnectors OT160...4000, IEC

Technical data



Technical data according to IEC 60947-3

Switch type		OT1000E	OT1250E	OT1600E	OT2000E	OT2500E	OT3200E	OT4000E	
Rated insulation voltage and rated operational voltage AC20/DC20	Pollution degree 3	1 000 V	1 000 V	1 000 V	1 000 V	1 000 V	1 000 V	1 000 V	
Dielectric strength	50 Hz 1 min.	10 kV	10 kV	10 kV	10 kV	10 kV	10 kV	10 kV	
Rated impulse withstand voltage		12 kV	12 kV	12 kV	12 kV	12 kV	8 kV	8 kV	
Rated thermal current and rated operational current AC20/DC20	Ambient 40 °C ¹⁾	In open air	1 000 A	1 250 A	1 600 A	2 000 A	2 500 A	3 200 A	3 800 A, 4000 A ⁵⁾
	Ambient 40 °C ¹⁾	In enclosure	1 000 A	1 250 A	1 600 A	–	–	–	–
..with minimum conductor cross section	Cu	2x300 mm ²	2x400 mm ²	2x500 mm ²	3x500 mm ²	4x500 mm ²	4x1 000 mm ²	5x1 000 mm ²	
Rated operational current, AC-21A		up to 690 V	1 000 A	1 250 A	1 600 A	2 000 A ²⁾	2 500 A ²⁾	3 200 A ²⁾	3 800 A
Rated operational current, AC-22A		1000 V	1 000 A	1 250 A	1 600 A	–	–	–	–
		up to 415 V	1 000 A	1 250 A	1 600 A	2 000 A ²⁾	2 500 A ²⁾	3 200 A ²⁾	3 800 A ²⁾ , 4000 A ^{2) 5)}
Rated operational current, AC-23A		500 - 690 V	1 000 A	1 250 A	1 600 A	2 000 A ^{2) 3)}	2 500 A ^{2) 3)}	–	–
		up to 500 V	1 000 A	1 250 A	1 250 A	–	–	–	–
Rated operational power, AC-23A (These values are given for guidance and may vary acc. to the motor manufacturer)		690 V	1 000 A	1 250 A	1 250 A	–	–	–	–
		400...415 V	560 kW	710 kW	710 kW	–	–	–	–
		440 V	630 kW	800 kW	800 kW	–	–	–	–
Rated breaking capacity, AC-23A		500 V	710 kW	900 kW	900 kW	–	–	–	–
		690 V	1 000 kW	1 200 kW	1 200 kW	–	–	–	–
		up to 500 V	10 000 A	10 000 A	10 000 A	–	–	–	–
Rated conditional short-circuit current I _q (r.m.s.) and corresponding max. allowed cut-off current \hat{I}_c . The cut-off current \hat{I}_c refers to values listed by fuse manufacturers (single phase test acc. to IEC60269).	I _q 80kA, ≤415V Max. OFA_fuse size	\hat{I}_c	100 kA	100 kA	100 kA	–	–	–	–
		gG/aM	1 250 A/ 1 250 A	1 250 A/ 1 250 A	1 250 A/ 1 250 A	1 250 A/ 1 250 A	–	–	–
Rated short-time withstand current	I _q 100kA, 500V Max. OFA_fuse size	\hat{I}_c	106 kA	106 kA	106 kA	–	–	–	–
		gG/aM	1 250 A/ 1 250 A	1 250 A/ 1 250 A	1 250 A/ 1 250 A	1 250 A/ 1 250 A	–	–	–
Rated short-circuit making capacity	r.m.s. -value I _{cw}	690 V, 0.25 s	50 kA	50 kA	50 kA	80 kA	80 kA	80 kA	80 kA, 100 kA ⁵⁾
		690 V, 1 s	50 kA	50 kA	50 kA	55 kA	55 kA	65 kA	80 kA
Rated capacitor power when no initial charge on the capacitor	Peak value I _{cm} Max. distance from switch frame to nearest busbar/ cable support	690 V	110 kA ⁴⁾	110 kA ⁴⁾	110 kA ⁴⁾	176 kA	176 kA	176 kA	176 kA, 220 kA ⁵⁾
			150 mm	150 mm	150 mm	150 mm	150 mm	150 mm	150 mm
Power loss/pole	The capacitor ratings are limited by the fuse links	415 V	460 kVAr	575 kVAr	575 kVAr	–	–	–	–
		500 V	550 kVAr	690 kVAr	690 kVAr	–	–	–	–
		690 V	750 kVAr	950 kVAr	950 kVAr	–	–	–	–
Mechanical endurance	At rated operational current		19 W	29 W	48 W	55 W	85 W	95 W	130 W
Weight without accessories	Divide by two for operation cycles		6 000 Oper.	6 000 Oper.	6 000 Oper.	6 000 Oper.	6 000 Oper.	5 000 Oper.	5 000 Oper.
Terminal bolt size	3-pole		14.7 kg	14.7 kg	16.8 kg	24.9 kg	24.9 kg	31.8 kg	36.2 kg
	4-pole		18.8 kg	18.8 kg	21.6 kg	32.4 kg	32.4 kg	41.5 kg	47.5 kg
Terminal tightening torque	Metric thread diameter x length		M12x50 mm	M12x50 mm	M12x60 mm	M12x60 mm	M12x60 mm	M12x60 mm	M12x60 mm
Operating torque	Counter torque required		50...75 Nm	50...75 Nm	50...75 Nm	50...75 Nm	50...75 Nm	50...75 Nm	50...75 Nm
Operating torque	3-pole switch-disconnector		65 Nm	65 Nm	65 Nm	65 Nm	65 Nm	65 Nm	65 Nm

¹⁾ Acc. to IEC60947-1, § 6.1.1.

²⁾ IEC 947-3, utilization category B, infrequent operation.

³⁾ Phase barriers or terminal shrouds must be used on both sides of the switch at voltages ≥ 500 V.

⁴⁾ The value is 92 kA for 4-pole switch-disconnectors.

⁵⁾ OT4000E_W8

Ordering details

Type: Indoor – IP40

Poles: 3P+N, TPN & 4P

Metalclad Enclosed Load Break Switch / Isolator

Model	Poles	Rated Current (415V)		Cable Terminal (mm)	Dimension (mm)			Weight (kg)
		AC-22A	AC-23A		H	W	D	
OT25ME3F	3P+N / TPN	25A	20A	0.75 - 10	200	180	105	2.5
OT25ME4F	4P	25A	20A	0.75 - 10	200	180	105	2.5
OT40ME3F	3P+N / TPN	40A	23A	0.75 - 10	200	180	105	2.5
OT40ME4F	4P	40A	23A	0.75 - 10	200	180	105	2.5
OT63ME3F	3P+N / TPN	63A	63A	1.5 - 35	200	180	105	2.5
OT63ME4F	4P	63A	63A	1.5 - 35	200	180	105	2.5
OT80ME3F	3P+N / TPN	80A	75A	1.5 - 35	200	180	105	2.5
OT80ME4F	4P	80A	75A	1.5 - 35	200	180	105	2.5
OT100ME3F	3P+N / TPN	100A	80A	10 - 70	300	200	130	4.5
OT100ME4F	4P	100A	80A	10 - 70	300	200	130	4.5
OT125ME3F	3P+N / TPN	125A	90A	10 - 70	300	200	130	4.5
OT125ME4F	4P	125A	90A	10 - 70	300	200	130	4.5
OT160ME3F	3P+N / TPN	160A	160A	M8 X 25mm T. bolts	400	260	165	6.5
OT160ME4F	4P	160A	160A	M8 X 25mm T. bolts	400	260	165	6.5
OT200ME3F	3P+N / TPN	200A	200A	M8 X 25mm T. bolts	580	350	210	15.4
OT200ME4F	4P	200A	200A	M8 X 25mm T. bolts	580	350	210	15.4
OT250ME3F	3P+N / TPN	250A	250A	M8 X 25mm T. bolts	580	350	210	15.4
OT250ME4F	4P	250A	250A	M8 X 25mm T. bolts	580	350	210	15.4
OT315ME3F	3P+N / TPN	315A	315A	M10 X 30mm T. bolts	580	350	210	18.0
OT315ME4F	4P	315A	315A	M10 X 30mm T. bolts	580	350	210	18.0
OT400ME3F	3P+N / TPN	400A	400A	M12 X 30mm T. bolts	580	350	210	19.0
OT400ME4F	4P	400A	400A	M12 X 30mm T. bolts	580	350	210	29.0
OT630ME3F	3P+N / TPN	630A	630A	M12 X 40mm T. bolts	580	425	280	30.0
OT630ME4F	4P	630A	630A	M12 X 40mm T. bolts	580	425	280	30.0
OT800ME3F	3P+N / TPN	800A	800A	M12 X 40mm T. bolts	580	425	280	TBA
OT800ME4F	4P	800A	800A	M12 X 40mm T. bolts	580	425	280	TBA
1000A & above are available on request								

Optional:

Customised rating with bigger enclosure are available on request

Ordering details

Type: Weatherproof – IP65

Poles: 3P+N, TPN & 4P

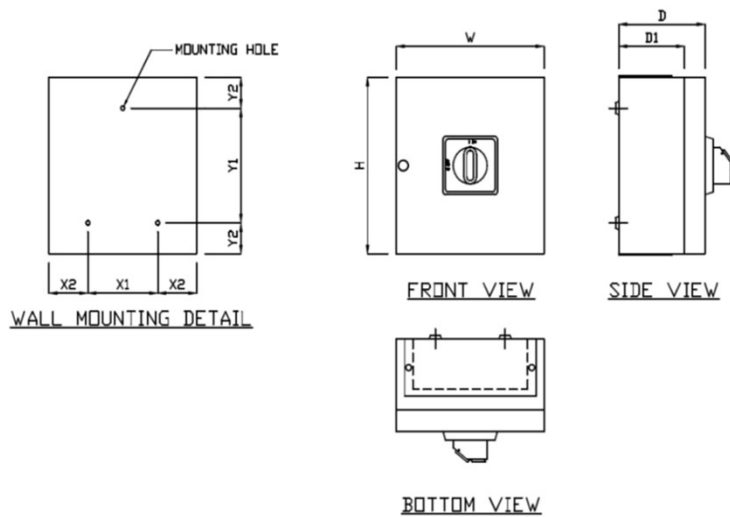
Metalclad Enclosed Load Break Switch / Isolator

Model	Poles	Rated Current (415V)		Cable Terminal (mm)	Dimension (mm)			Weight (kg)
		AC-22A	AC-23A		H	W	D	
OT25WP3F	3P+N / TPN	25A	20A	0.75 - 10	300	200	150	5.0
OT25WP4F	4P	25A	20A	0.75 - 10	300	200	150	5.0
OT40WP3F	3P+N / TPN	40A	23A	0.75 - 10	300	200	150	5.0
OT40WP4F	4P	40A	23A	0.75 - 10	300	200	150	5.0
OT63WP3F	3P+N / TPN	63A	63A	1.5 - 35	300	200	150	5.0
OT63WP4F	4P	63A	63A	1.5 - 35	300	200	150	5.0
OT80WP3F	3P+N / TPN	80A	75A	1.5 - 35	300	200	150	5.0
OT80WP4F	4P	80A	75A	1.5 - 35	300	200	150	5.0
OT100WP3F	3P+N / TPN	100A	80A	10 - 70	300	200	150	6.5
OT100WP4F	4P	100A	80A	10 - 70	300	200	150	6.5
OT125WP3F	3P+N / TPN	125A	90A	10 - 70	300	200	150	6.5
OT125WP4F	4P	125A	90A	10 - 70	300	200	150	6.5
OT160WP3F	3P+N / TPN	160A	160A	M8 X 25mm T. bolts	400	300	200	9.5
OT160WP4F	4P	160A	160A	M8 X 25mm T. bolts	400	300	200	9.5
OT200WP3F	3P+N / TPN	200A	200A	M8 X 25mm T. bolts	600	400	200	20.0
OT200WP4F	4P	200A	200A	M8 X 25mm T. bolts	600	400	200	20.0
OT250WP3F	3P+N / TPN	250A	250A	M8 X 25mm T. bolts	600	400	200	20.0
OT250WP4F	4P	250A	250A	M8 X 25mm T. bolts	600	400	200	20.0
OT315WP3F	3P+N / TPN	315A	315A	M10 X 30mm T. bolts	600	400	200	25.0
OT315WP4F	4P	315A	315A	M10 X 30mm T. bolts	600	400	200	25.0
OT400WP3F	3P+N / TPN	400A	400A	M12 X 30mm T. bolts	700	500	200	27.0
OT400WP4F	4P	400A	400A	M12 X 30mm T. bolts	700	500	200	27.0
OT630WP3F	3P+N / TPN	630A	630A	M12 X 40mm T. bolts	700	500	250	28.0
OT630WP4F	4P	630A	630A	M12 X 40mm T. bolts	700	500	250	28.0
OT800WP3F	3P+N / TPN	800A	800A	M12 X 40mm T. bolts	800	600	250	30.0
OT800WP4F	4P	800A	800A	M12 X 40mm T. bolts	800	600	250	30.0
1000A & above are available on request								

Optional:

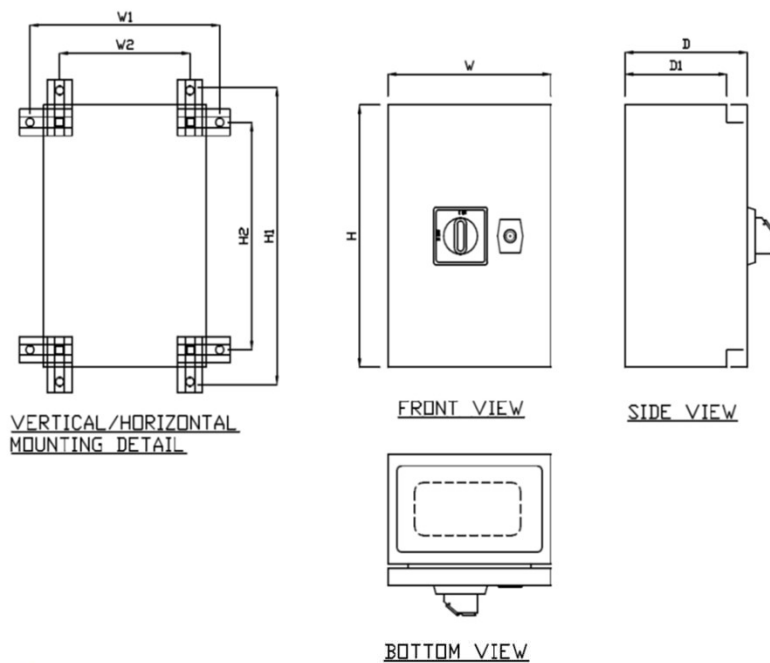
Customised rating with bigger enclosure are available on request

Mounting details



Dimensions (mm) - IP40

Model	Enclosure Size				Opening Depth (Top & Bottom)		Mounting hole positions			
	H	W	D	D1	a	b	X1	X2	Y1	Y2
OT25 - 80	200	180	105	25	50	100	85	47.5	130	35
OT100 - 125	300	200	130	25	60	120	120	40	230	35
OT160	400	260	165	25	75	180	180	40	330	35
OT200 - 400	580	350	210	30	130	290	-	-	-	-



Dimensions (mm) - IP65

Model	Enclosure Size				Opening Depth (Bottom)		Mounting hole positions			
	H	W	D	D1	a	b	W1	W2	H1	H2
OT25 - 125	300	200	150	25	60	130	240	160	340	260
OT160	400	300	200	25	105	230	340	260	440	360
OT200 - 315	600	400	200	25	105	330	440	360	640	560
OT400	700	500	200	25	105	330	540	460	740	660
OT630	700	500	250	25	105	330	540	460	740	660

The data and illustrations are not binding.

We reserve the right to make changes in the course of technical development of the product.

Key Project References: ABB Enclosed Load Break Switches/Isolators

Condominium:-

Ardmore Park, Citylights, Kampong Kayu, Carribbean at Keppel Bay, The Glades, Pioz, V on Shenton

Commercial:-

Vivo City at Maritime Square, Compass One@Sengkang Square, Mediacorp

Data Center:-

SingTel, Equinix, Starhub

HDB:-

Bukit Batok N3C11, Bukit Panjang N6C11, Jurong West N2C17, Jurong West N2C18, Kallang Whampoa C23B, Kallang Whampoa RC24, Punggol East 5A, Sembawang N4C9, Sembawang N5C7, Sengkang N2C35-N2C37, Tampines N2C22A, Tampines N8C30

Hotel:-

Regent Hotel, Carlton Hotel, Plaza Hotel, Holiday Inn Express, Intercontinental Hotel, Hotel Jen, Shangri-La Hotel, Indigo Hotel

Infrastructure:-

Changi Airport Terminal 1,2,3&4, NTU-School of Biological Science, Singapore Zoo, Jurong Bird Park, Night & River Safari, Singapore Polytechnic Campus(SIT & Student Sports Hub, Ng Teng Fong Hospital, Jurong Polyclinic, Tampines Nursing Home, NCID, SMRT, SBS Transit and others many more projects.

Notes: