

CATALOG

TruONE®

The world's first true ATS



- Easy to Install
- Safety and Protection
- Optimum Interface



Table of contents

004–017	Overview	01
020–025	Ordering Information – IEC	02
028–041	Ordering Information – UL	03
044–049	Accessories	04
052–055	Technical data	05
058–062	Dimension drawings	06

Introducing TruONE® ATS from ABB

A critical breakthrough for critical power

The all-new TruONE® is the world's first true purpose-built automatic transfer switch, engineered to incorporate switch and controller in one seamless unit.

Performance tested beyond standard requirements, TruONE® stands ready to ensure the steady delivery of critical power at all times. Its self-contained design reduces the number of wires and connections, which speeds installation and minimizes the potential for connection failures to ensure best-in-class reliability. Its predictive maintenance and modular components reduce downtime and service costs. And its advanced connectivity is ready for the future. In addition, unlike typical ATS solutions, TruONE® allows emergency manual operation under load for immediate power restoration in the event of an equipment malfunction.

TruONE® represents a major shift in engineering and a critical breakthrough for critical power.





ABB



AUTO

System overview
S1 OK OK S2
S1 connected to load
Load current
393.0 A
Generator stop delay

ON

ON

LOAD

LOAD

A/L1

B/L2

SOURCE

SOURCE

S1 S2

S1 S2

The one ATS with all these advantages

—
01 Detachable HMI.
Three levels of control
to meet different
customer requirements.

—
02 All-in-one concept
that brings easy and
fast installation.



Easy to Install

Reduces installation time by up to 80%.

Why waste time piecing together an ATS from multiple components and as many as 20 connection wires, not to mention the time spent testing? TruONE® is the first automatic transfer switch to put it all together, including the controller with detachable HMI. It can be installed with a single wire using standard enclosures.



Safety and Protection

Reduces risk of operator injury.

TruONE® enables emergency manual operation — even under load — without opening the panel door when the HMI is mounted to the ATS frame. The HMI can be detached from the frame for door mounting, offering more flexibility for the panel designer. Best of all, regardless of the HMI installation method, there's no need for connecting dangerous line voltages to the door, so the risk of operator injury due to equipment malfunction is reduced.



Optimum Interface

Simplifies connectivity.

TruONE® features cloud-based connectivity through the ABB Ability™ Electrical Distribution Control System (EDCS). ABB Ability simplifies implementation and use of TruONE® in coordination with other ABB devices, ensuring one common user interface and one common software environment. Market-leading modular connectivity with seven communication protocols ensures easy installation and connectivity now and far into the future.

01



01

02



Even more advantages



Speed Up Your Project

Now you can speed up your project even more, thanks to TruONE® automatic commissioning capabilities. Pre-made configuration files can be uploaded from your PC to TruONE®, minimizing the risk of human error and reducing programming time by 80%.



Continuous Operation

TruONE® features predictive maintenance, self-diagnostics and customer-replaceable critical modules to simplify service and significantly reduce downtime and service costs. Say goodbye to blinking lights and stopping motors. TruONE® provides a fast in-phase open transition of power, ensuring unnoticed generator use during business hours.



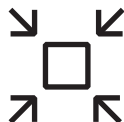
Energy Efficiency

Full compatibility with ABB Ability™ EDCS allows data processing from the site's electrical equipment to deliver analysis and make recommendations for optimizing the electrical system's performance. This allows remote monitoring of plants, energy consumption and costs at a glance, making implementation of energy management strategies easier and faster.



Optimized Logistics

TruONE® features a wide voltage range from 200 to 480 VAC (with +/-20% tolerance), reducing the need to stock multiple SKUs, reducing inventory and saving space in the warehouse.



Space Saving

TruONE® features plug-in factory and field-mount accessorizing, so you don't need extra space inside the panel. Even in the case of specialized customer needs, you can use standard cabinets.

Reliable in extreme conditions

You can be sure TruONE® exceeds standard requirements for performance and reliability to bring you dependable operation in even the most challenging electrical, mechanical and environmental conditions.

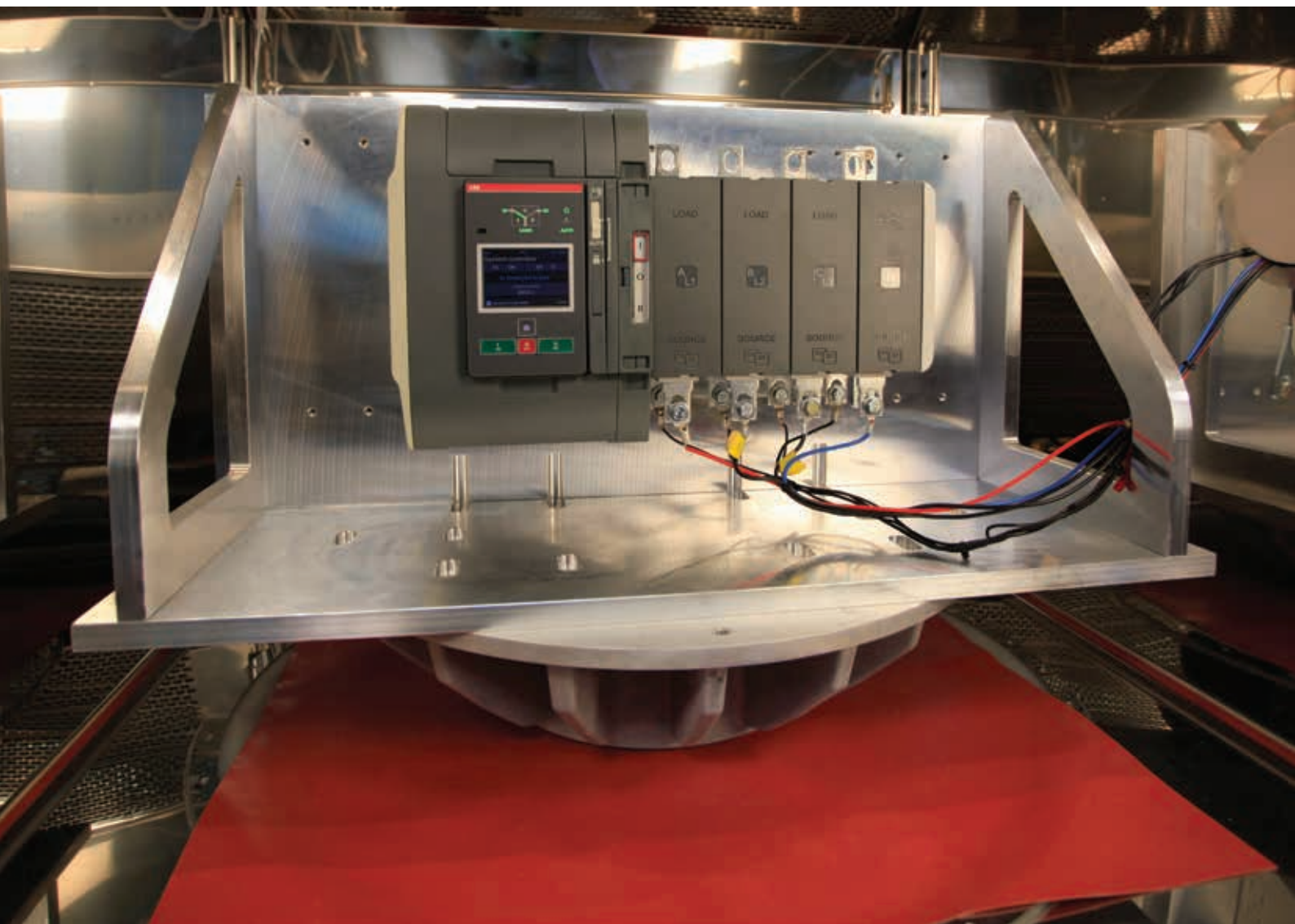


TruONE® is the only ATS to guarantee safe and reliable operation during dramatic variations in temperature (-25–+70°C) and voltage (200–480 VAC with +/-20% tolerance), and it's tolerant of vibrations (acc. IEC 60068-2-6) and shocks (acc. IEC 60068-2-27). TruONE® also has true short-circuit resilience, able to take the hit and remain fully operational after exposure to even the most dangerous phenomena.

Site conditions can change due to unexpected situations, but the performance of TruONE® does not.

Testing for vibrations, shocks and a wide temperature range.

01



The one ATS for all applications

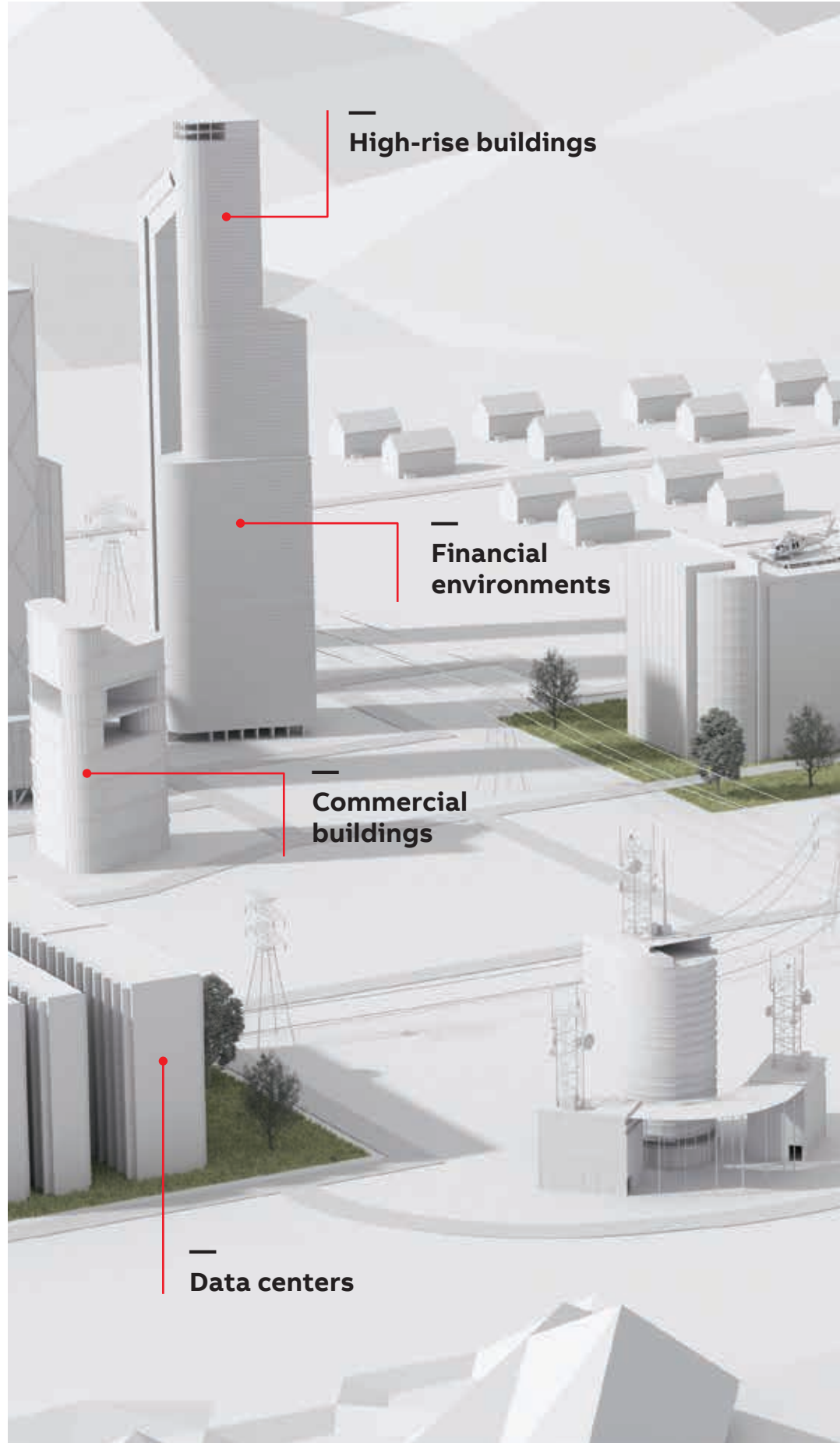
Bring the highest level of convenience, efficiency and critical power security to your product, project or facility.

TruONE® is the superior solution for:

- Genset OEMs
- Panel builders
- Consultants and engineers
- Contractors
- Facilities managers

TruONE® provides superior critical power security for:

- Hospitals
- Sports arenas
- Retail environments
- High-rise buildings
- Commercial buildings
- Financial environments
- Data centers
- And more



A 3D architectural rendering of a cityscape. In the center is a large, circular stadium with a white, ribbed roof and a dark field. To the left is a modern hospital building with a circular logo. In the foreground, there are several industrial buildings with complex piping and structures. The background shows stylized, low-poly mountains. Red lines with dots at the end point from the text labels to the corresponding buildings in the scene.

—
Hospitals

—
Sports arenas

01

—
Retail environments

There's only one TruONE® ATS.

Get the unique ease and reliability of the world's first true ATS.

Contact your ABB representative or visit **abb.com** for more information.

TruONE® part number key

Example key and product description:

OXA1000U3S4QB

ABB TruONE® automatic transfer switch, open transition, 1000 amperes, UL, 3 phase + Neutral (3ph, 4 wire), Level 4 controls, 200–480 VAC voltage area, bottom entry (sources on bottom, load on top).

ABB TruONE® ATS

OX

ATS type

A Open transition I - II (without stable OFF position for load disconnection)

B Delayed transition I - O - II (with stable OFF position for load disconnection)

ATS size

UL: 30, 60, 100, 125, 160, 200, 260, 400, 600, 800, 1000, 1200

IEC: 200, 250, 315, 400, 500, 630, 800, 1000, 1250, 1600

Standard

E IEC

U UL

Phase poles

1 1-pole

2 2-pole

3 3-pole

Neutral

S Switched Neutral

O Overlapping Neutral

X None

Controller

2 Level 2 controls (DIP)

3 Level 3 controls (LCD)

4 Level 4 controls (Touch)

Voltage code

Q 200–480 VAC

Enclosure rating

_ (blank) Open style, no enclosure

Cabling direction

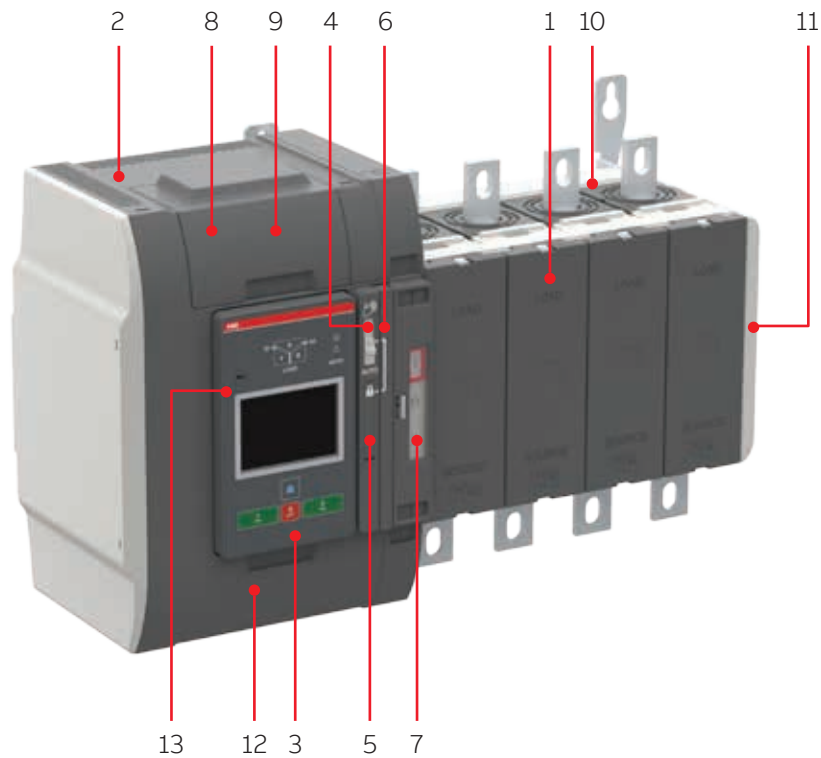
_ Open style, no enclosure

B Bottom entry (sources on bottom, load on top)

T Top entry (sources on the top, load on the bottom)

Note: For available configurations, see the ordering information pages.

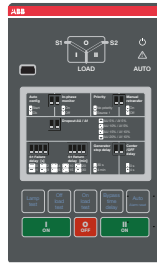
TruONE® part number key



1. Automatic transfer switch
2. Embedded ATS control unit and mechanism
3. Detachable HMI unit, three types (Level 2 DIP, Level 3 LCD and Level 4 Touch)
4. Slide switch (Hand - Locking - AUTO) for selection of the operation mode
5. Padlocking the automatic transfer switch to prevent automatic and manual operation
6. Handle for manual operation
7. Position indication
8. Terminals for control circuit connections (behind the cover)
9. Place for connectivity modules (aux power supply, com and signaling)
10. Place for sensor module (with Level 4 controls)
11. Place for auxiliary contact block
12. Location of product identification label
13. Programming port, only for Ekip Programming module and Ekip Connect software

TruONE® feature comparison

Main features in the table below.
Consult ABB for more information.



Feature comparison

	Level 2 controls	Level 3 controls	Level 4 controls
Ampere sizes available	IEC: 200-1600 A UL: 30-1200 A	IEC: 200-1600 A UL: 30-1200 A	IEC: 200-1600 A UL: 30-1200 A
Rated voltage	200-480Vac	200-480Vac	200-480Vac
Rated frequency	50 / 60 Hz	50 / 60 Hz	50 / 60 Hz
Phase system	Single and Three	Single and Three	Single and Three
Number of poles	2, 3 and 4	2, 3 and 4	3 and 4
Neutral configuration			
Switched	Yes	Yes	Yes
Overlapping	No	Yes	Yes
Product type			
Open transition (I-II)	Yes	Yes	Yes
Delayed transition (I-O-II)	Yes	Yes	Yes
Voltage and frequency settings			
Pick up Voltage Source 1	Fixed 2% above drop out	81-99%, 101-119%	81-99%, 101-119%
Drop out Voltage Source 1	+/-5, 10, 15, 20%	80-98%, 102-120%	80-98%, 102-120%
Pick up Voltage Source 2	Fixed 2% above drop out	81-99%, 101-119%	81-99%, 101-119%
Drop out Voltage Source 2	+/-5, 10, 15, 20%	80-98%, 102-120%	80-98%, 102-120%
Pick up Frequency Source 1	Fixed 1% above drop out	80.5-99.5%, 100.5-119.5%	80.5-99.5%, 100.5-119.5%
Drop out Frequency Source 1	+/-5, 10 %	80-99%, 101-120%	80-99%, 101-120%
Pick up Frequency Source 2	Fixed 1% above drop out	80.5-99.5%, 100.5-119.5%	80.5-99.5%, 100.5-119.5%
Drop out Frequency Source 2	+/-5, 10 %	80-99%, 101-120%	80-99%, 101-120%
Time delay settings			
Override momentary Source 1 Outage, sec	0, 1, 2, 3, 4, 5, 10, 15, 20, 25, 30	0-60	0-60
Transfer from Source 1 to Source 2, sec	Fixed 2 seconds	0-3600	0-3600
Override momentary Source 2 Outage, sec	Fixed 1,5 seconds	0-60	0-60
Transfer from Source 2 to Source 1, min	0, 1, 2, 3, 4, 5, 10, 15, 20, 25, 30	0-120	0-120
Generator stop delay, min	30 secs or 4 mins	0-60	0-60
Center-OFF delay, sec	0 or 4	0-300	0-300
Pre-transfer delay S1 to S2, sec	No	0-60	0-60
Post-transfer delay S1 to S2, sec	No	0-60	0-60
Pre-transfer delay S2 to S1, sec	No	0-60	0-60
Post-transfer delay S2 to S1, sec	No	0-60	0-60
Load shed delay, sec	No	0-60	0-60
Source failure detections			
No voltage	Yes	Yes	Yes
Undervoltage	Yes	Yes	Yes
Overvoltage	Yes	Yes	Yes
Phase missing	Yes	Yes	Yes
Voltage unbalance	Yes	Yes	Yes
Invalid frequency	Yes	Yes	Yes
Incorrect phase sequence	Yes	Yes	Yes

TruONE® feature comparison



Feature comparison

	Level 2 controls	Level 3 controls	Level 4 controls
Features			
Controls	DIP + keys	LCD + keys	Touch + keys
LED indications for ATS, S1 and S2 status	Yes	Yes	Yes
Open transition - Standard digital inputs/outputs	0 / 1	1 / 1	2 / 1
Delayed transition - Standard digital inputs/outputs	1 / 1	2 / 1	3 / 1
Programmable digital inputs/outputs	No	Yes	Yes
Auto config (voltage, frequency, phase system)	Yes	Yes	Yes
Source priority	Source 1, No priority	Source 1/2, No priority	Source 1/2, No priority
Manual re-transfer	Yes	Yes	Yes
In-phase monitor (synchro check)	Yes	Yes	Yes
Genset exercising: on-load, off-load	Yes	Yes	Yes
In-built power meter module	No	No	Yes
Load shedding	No	Yes	Yes
Real time clock	No	Yes	Yes
Event log	No	Yes	Yes
Predictive maintenance	No	No	Yes
Voltage and current harmonics measuring	No	No	Yes
Field-mount accessories			
Auxiliary contacts for position indication	Yes	Yes	Yes
Digital input/output modules	No	Yes	Yes
12-24 Vdc aux supply module for controller	No	Yes	Yes
Communication modules	No	Yes	Yes
Connectivity			
Modbus RTU (RS-485)	No	Yes	Yes
Modbus/TCP	No	Yes	Yes
Profibus DP	No	Yes	Yes
ProfiNet	No	Yes	Yes
DeviceNet	No	Yes	Yes
Ethernet IP	No	Yes	Yes
IEC 61850	No	Yes	Yes
Monitoring via ABB Ability™: EDCS	No	Yes	Yes
For applications			
Mains - Mains	Yes	Yes	Yes
Mains - Generator (minimum size 40kVA)	Yes	Yes	Yes

01

Description of basic functionality

Operation of time delays and corresponding relay output signals

Example for SOURCE 1 Priority SOURCE 2 = Generator

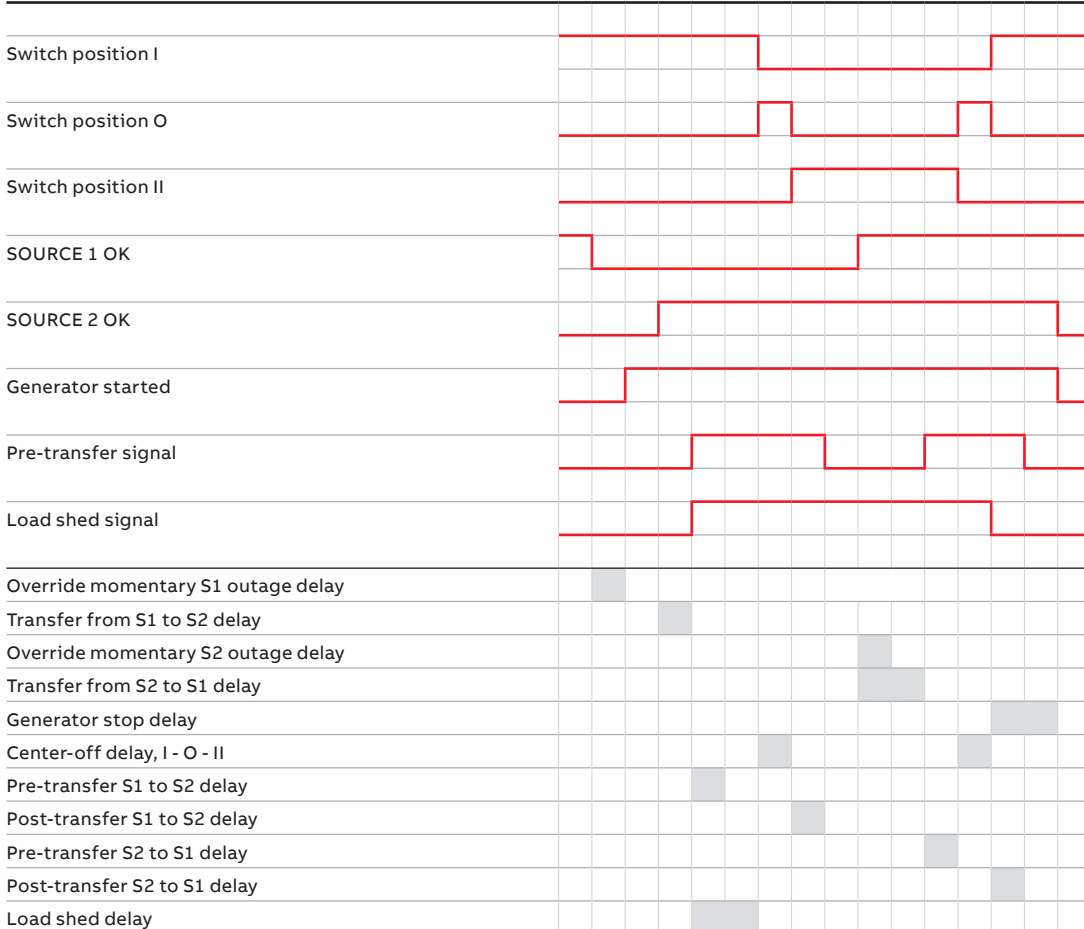
The automatic switching sequence can be summarized in following steps:

- An anomaly occurs on the SOURCE 1
- Override momentary S1 outage delay
- Generator start
- SOURCE 2 OK
- Transfer from S1 to S2 delay
- Pre-transfer signal on
- Load shed signal on
- Pre-transfer S1 to S2 delay
- Load shed delay
- Transfer switch (SOURCE 1) to the position O
- Center-off delay (only with Delayed transition I - O - II type)
- Transfer switch (SOURCE 2) to the position II
- Post-transfer S1 to S2 delay
- Pre-transfer signal off

And the re-transfer sequence can be summarized in the following steps:

- The SOURCE 1 is restored
- Transfer from S2 to S1 delay
- Pre-transfer signal on
- Pre-transfer S2 to S1 delay
- Transfer switch (SOURCE 2) to the position O
- Center-off delay (only with Delayed transition I - O - II type)
- Transfer switch (SOURCE 1) to the position I
- Load shed signal off
- Generator stop delay
- Post-transfer S2 to S1 delay
- Pre-transfer signal off
- Generator stop
- SOURCE 2 off

SOURCE 1 priority (SOURCE 2 = generator)





Automatic transfer switches – IEC

Open style – Level 2

- 20 Cabling - bottom entry
- 21 Cabling - top entry

Open style – Level 3

- 22 Cabling - bottom entry
- 23 Cabling - top entry

Open style – Level 4

- 24 Cabling - bottom entry
 - 25 Cabling - top entry
-

Ordering Information

Automatic transfer switches - IEC

Delayed transition – Open style, Level 2 DIP controls

I-O-II –operation with stable OFF position between positions I and II.

Delivery includes handle for manual operation, 2 m RJ45 connection cable between detachable HMI and ATS frame.

Terminal connection kits (bolts, nuts and washers) available as accessory.



OXB200...250E1S2QB



OXB500...800E1S2QB



OXB315...400E1S2QB



OXB315...400E3X2QB



OXB200...250E3X2QB



OXB315...400E3X2QB



OXB1000...1600E3X2QB



OXB500...800E3X3QB



OXB200...250E3S2QB



OXB315...400E3S2QB



OXB1000...1600E3S2QB

Bottom entry - Source 1 and Source 2 connections on bottom, load connections on top

No. of poles	Rated current [A]	Type	Order number	Weight/unit kg
2	200	OXB200E1S2QB	1SCA153423R1001	13.06
2	250	OXB250E1S2QB	1SCA153452R1001	13,06
2	315	OXB315E1S2QB	1SCA153497R1001	14,04
2	400	OXB400E1S2QB	1SCA153511R1001	14.04
2	500	OXB500E1S2QB	1SCA151023R1001	17.58
2	630	OXB630E1S2QB	1SCA151049R1001	17.58
2	800	OXB800E1S2QB	1SCA150929R1001	17.58
3	200	OXB200E3X2QB	1SCA153433R1001	14.65
3	250	OXB250E3X2QB	1SCA153459R1001	14.65
3	315	OXB315E3X2QB	1SCA153506R1001	16.12
3	400	OXB400E3X2QB	1SCA152049R1001	16.12
3	500	OXB500E3X2QB	1SCA151027R1001	19.92
3	630	OXB630E3X2QB	1SCA151062R1001	19.92
3	800	OXB800E3X2QB	1SCA149960R1001	19.92
3	1000	OXB1000E3X2QB	1SCA152411R1001	44.14
3	1250	OXB1250E3X2QB	1SCA153616R1001	44.14
3	1600	OXB1600E3X2QB	1SCA153625R1001	44,14
4	200	OXB200E3S2QB	1SCA153427R1001	16.24
4	250	OXB250E3S2QB	1SCA153456R1001	16.24
4	315	OXB315E3S2QB	1SCA153501R1001	18.32
4	400	OXB400E3S2QB	1SCA153515R1001	18.32
4	500	OXB500E3S2QB	1SCA151025R1001	22.20
4	630	OXB630E3S2QB	1SCA151054R1001	22.20
4	800	OXB800E3S2QB	1SCA150934R1001	22.20
4	1000	OXB1000E3S2QB	1SCA153577R1001	57.08
4	1250	OXB1250E3S2QB	1SCA153610R1001	57.08
4	1600	OXB1600E3S2QB	1SCA153622R1001	57.08

Ordering Information

Automatic transfer switches - IEC

Delayed transition – Open style, Level 2 DIP controls

I-O-II –operation with stable OFF position between positions I and II.
 Delivery includes handle for manual operation, 2 m RJ45 connection cable between detachable HMI and ATS frame.

Terminal connection kits (bolts, nuts and washers) available as accessory.



OXB200...250E1S2QT



OXB315...400E1S2QT



OXB200...250E3X2QT



OXB315...400E3X2QT



OXB500...800E1S2QT



OXB1000...1600E3X2QT



OXB200...250E3S2QT



OXB500...800E3S2QT



OXB315...400E3S2QT



OXB1000...1600E3S2QT

Top entry - Source 1 and Source 2 connections on top, load connections on bottom

No. of poles	Rated current [A]	Type	Order number	Weight/unit kg
2	200	OXB200E1S2QT	1SCA153424R1001	13.09
2	250	OXB250E1S2QT	1SCA153453R1001	13.09
2	315	OXB315E1S2QT	1SCA153498R1001	14.07
2	400	OXB400E1S2QT	1SCA153512R1001	14.07
2	500	OXB500E1S2QT	1SCA151024R1001	17.61
2	630	OXB630E1S2QT	1SCA151050R1001	17.61
2	800	OXB800E1S2QT	1SCA150930R1001	17.61
3	200	OXB200E3X2QT	1SCA153434R1001	14.68
3	250	OXB250E3X2QT	1SCA153460R1001	14.68
3	315	OXB315E3X2QT	1SCA153507R1001	16.15
3	400	OXB400E3X2QT	1SCA153520R1001	16.15
3	500	OXB500E3X2QT	1SCA151028R1001	19.95
3	630	OXB630E3X2QT	1SCA149957R1001	19.95
3	800	OXB800E3X2QT	1SCA150940R1001	19.95
3	1000	OXB1000E3X2QT	1SCA153582R1001	44.17
3	1250	OXB1250E3X2QT	1SCA153617R1001	44.17
3	1600	OXB1600E3X2QT	1SCA153626R1001	44.17
4	200	OXB200E3S2QT	1SCA153428R1001	16.27
4	250	OXB250E3S2QT	1SCA153457R1001	16.27
4	315	OXB315E3S2QT	1SCA153502R1001	18.35
4	400	OXB400E3S2QT	1SCA153516R1001	18.35
4	500	OXB500E3S2QT	1SCA151026R1001	22.23
4	630	OXB630E3S2QT	1SCA151055R1001	22.23
4	800	OXB800E3S2QT	1SCA150935R1001	22.23
4	1000	OXB1000E3S2QT	1SCA153578R1001	57.11
4	1250	OXB1250E3S2QT	1SCA153611R1001	57.11
4	1600	OXB1600E3S2QT	1SCA153623R1001	57.11

Ordering Information

Automatic transfer switches - IEC

Delayed transition – Open style, Level 3 LCD controls



OXB200...250E1S3QB



OXB315...400E1S3QB



OXB500...800E1S3QB



OXB200...250E3X3QB



OXB315...400E3X3QB



OXB500...800E3X3QB



OXB1000...1600E3X3QT



OXB200...250E3S3QB



OXB315...400E3S3QB



OXB500...800E3S2QT



OXB1000...1600E3S3QT

I-O-II –operation with stable OFF position between positions I and II.
Delivery includes handle for manual operation, 2 m RJ45 connection cable between detachable HMI and ATS frame.

Terminal connection kits (bolts, nuts and washers) available as accessory.

Bottom entry - Source 1 and Source 2 connections on bottom, load connections on top

No. of poles	Rated current [A]	Type	Order number	Weight/unit kg
2	200	OXB200E1S3QB	1SCA153425R1001	13.06
2	250	OXB250E1S3QB	1SCA153454R1001	13.06
2	315	OXB315E1S3QB	1SCA153499R1001	14.04
2	400	OXB400E1S3QB	1SCA153513R1001	14.04
2	500	OXB500E1S3QB	1SCA151739R1001	17.58
2	630	OXB630E1S3QB	1SCA151052R1001	17.58
2	800	OXB800E1S3QB	1SCA150932R1001	17.58
3	200	OXB200E3X3QB	1SCA152042R1001	14.65
3	250	OXB250E3X3QB	1SCA153461R1001	14.65
3	315	OXB315E3X3QB	1SCA153508R1001	16.12
3	400	OXB400E3X3QB	1SCA153521R1001	16.12
3	500	OXB500E3X3QB	1SCA151744R1001	19.92
3	630	OXB630E3X3QB	1SCA151064R1001	19.92
3	800	OXB800E3X3QB	1SCA150942R1001	19.92
3	1000	OXB1000E3X3QB	1SCA153583R1001	44.14
3	1250	OXB1250E3X3QB	1SCA153618R1001	44.14
3	1600	OXB1600E3X3QB	1SCA153627R1001	44.14
4	200	OXB200E3S3QB	1SCA153429R1001	16.24
4	250	OXB250E3S3QB	1SCA152435R1001	16.24
4	315	OXB315E3S3QB	1SCA152046R1001	18.32
4	400	OXB400E3S3QB	1SCA153517R1001	18.32
4	500	OXB500E3S3QB	1SCA151741R1001	22.20
4	630	OXB630E3S3QB	1SCA151057R1001	22.20
4	800	OXB800E3S3QB	1SCA149958R1001	22.20
4	1000	OXB1000E3S3QB	1SCA153579R1001	57.08
4	1250	OXB1250E3S3QB	1SCA153612R1001	57.08
4	1600	OXB1600E3S3QB	1SCA152412R1001	57.08

Ordering Information

Automatic transfer switches - IEC

Delayed transition – Open style, Level 3 LCD controls

I-O-II –operation with stable OFF position between positions I and II.
 Delivery includes handle for manual operation, 2 m RJ45 connection cable between detachable HMI and ATS frame.

Terminal connection kits (bolts, nuts and washers) available as accessory.



OXB200...250E1S3QT



OXB315...400E1S3QT



OXB500...800E1S3QT



OXB200...250E3X3QT



OXB315...400E3X3QT



OXB500...800E3X3QT



OXB1000...1600E3X3QT



OXB200...250E3S3QT



OXB315...400E3S3QT



OXB500...800E3S3QT



OXB1000...1600E3S3QT

Top entry - Source 1 and Source 2 connections on top, load connections on bottom

No. of poles	Rated current [A]	Type	Order number	Weight/unit kg
2	200	OXB200E1S3QT	1SCA153426R1001	13.09
2	250	OXB250E1S3QT	1SCA153455R1001	13.09
2	315	OXB315E1S3QT	1SCA153500R1001	14.07
2	400	OXB400E1S3QT	1SCA153514R1001	14.07
2	500	OXB500E1S3QT	1SCA151740R1001	17.61
2	630	OXB630E1S3QT	1SCA151053R1001	17.61
2	800	OXB800E1S3QT	1SCA150933R1001	17.61
3	200	OXB200E3X3QT	1SCA153435R1001	14.65
3	250	OXB250E3X3QT	1SCA153462R1001	14.68
3	315	OXB315E3X3QT	1SCA153509R1001	16.15
3	400	OXB400E3X3QT	1SCA153522R1001	16.15
3	500	OXB500E3X3QT	1SCA151745R1001	19.95
3	630	OXB630E3X3QT	1SCA151065R1001	19.95
3	800	OXB800E3X3QT	1SCA150943R1001	19.95
3	1000	OXB1000E3X3QT	1SCA151492R1001	44.17
3	1250	OXB1250E3X3QT	1SCA153619R1001	44.17
3	1600	OXB1600E3X3QT	1SCA153628R1001	44.17
4	200	OXB200E3S3QT	1SCA153430R1001	16.27
4	250	OXB250E3S3QT	1SCA153458R1001	16.27
4	315	OXB315E3S3QT	1SCA153503R1001	18.35
4	400	OXB400E3S3QT	1SCA153518R1001	18.35
4	500	OXB500E3S3QT	1SCA151742R1001	22.23
4	630	OXB630E3S3QT	1SCA151058R1001	22.23
4	800	OXB800E3S3QT	1SCA150937R1001	22.23
4	1000	OXB1000E3S3QT	1SCA153580R1001	57.11
4	1250	OXB1250E3S3QT	1SCA153613R1001	57.11
4	1600	OXB1600E3S3QT	1SCA153624R1001	57.11

Ordering Information

Automatic transfer switches - IEC

Delayed transition – Open style, Level 4 Touch controls



OXB200...250E3X4QB



OXB315...400E3X4QB



OXB500...800E3X4QB



OXB1000...1600E3X4QB



OXB200...250E3S4QB



OXB315...400E3S4QB



OXB500...800E3S4QB



OXB1000...1600E3S4QB

I-O-II –operation with stable OFF position between positions I and II.
Delivery includes handle for manual operation, 2 m RJ45 connection cable between detachable HMI and ATS frame.

Terminal connection kits (bolts, nuts and washers) available as accessory.

Bottom entry - Source 1 and Source 2 connections on bottom, load connections on top

No. of poles	Rated current [A]	Type	Order number	Weight /unit kg
3	200	OXB200E3X4QB	1SCA152043R1001	14.82
3	250	OXB250E3X4QB	1SCA153463R1001	14.82
3	315	OXB315E3X4QB	1SCA153510R1001	16.30
3	400	OXB400E3X4QB	1SCA153523R1001	16.30
3	500	OXB500E3X4QB	1SCA149956R1001	20.12
3	630	OXB630E3X4QB	1SCA151067R1001	20.12
3	800	OXB800E3X4QB	1SCA150945R1001	20.12
3	1000	OXB1000E3X4QB	1SCA153584R1001	44.50
3	1250	OXB1250E3X4QB	1SCA153620R1001	44.50
3	1600	OXB1600E3X4QB	1SCA153629R1001	44.50
4	200	OXB200E3S4QB	1SCA153431R1001	16.47
4	250	OXB250E3S4QB	1SCA152794R1001	16.47
4	315	OXB315E3S4QB	1SCA153504R1001	18.55
4	400	OXB400E3S4QB	1SCA152048R1001	18.55
4	500	OXB500E3S4QB	1SCA150003R1001	22.40
4	630	OXB630E3S4QB	1SCA151060R1001	22.40
4	800	OXB800E3S4QB	1SCA149959R1001	22.40
4	1000	OXB1000E3S4QB	1SCA151491R1001	57.55
4	1250	OXB1250E3S4QB	1SCA153614R1001	57.55
4	1600	OXB1600E3S4QB	1SCA152414R1001	57.55

Ordering Information

Automatic transfer switches - IEC

Delayed transition – Open style, Level 4 Touch controls

I-O-II –operation with stable OFF position between positions I and II.
 Delivery includes handle for manual operation, 2 m RJ45 connection cable between detachable HMI and ATS frame.

Terminal connection kits (bolts, nuts and washers) available as accessory.



OXB200...250E3X4QT



OXB315...400E3X4QT



OXB500...800E3X4QT



OXB1000...1600E3X4QT



OXB200...250E3S4QT



OXB315...400E3S4QT



OXB500...800E3S4QT



OXB1000...1600E3S4QT

Top entry - Source 1 and Source 2 connections on top, load connections on bottom

No. of poles	Rated current [A]	Type	Order number	Weight/unit kg
3	200	OXB200E3X4QT	1SCA152044R1001	14.85
3	250	OXB250E3X4QT	1SCA153464R1001	14.85
3	315	OXB315E3X4QT	1SCA152047R1001	16.33
3	400	OXB400E3X4QT	1SCA153524R1001	16.33
3	500	OXB500E3X4QT	1SCA151746R1001	20.15
3	630	OXB630E3X4QT	1SCA151068R1001	20.15
3	800	OXB800E3X4QT	1SCA150946R1001	20.15
3	1000	OXB1000E3X4QT	1SCA153585R1001	44.53
3	1250	OXB1250E3X4QT	1SCA153621R1001	44.53
3	1600	OXB1600E3X4QT	1SCA153630R1001	44.53
4	200	OXB200E3S4QT	1SCA153432R1001	16.50
4	250	OXB250E3S4QT	1SCA152045R1001	16.50
4	315	OXB315E3S4QT	1SCA153505R1001	18.58
4	400	OXB400E3S4QT	1SCA153519R1001	18.58
4	500	OXB500E3S4QT	1SCA151743R1001	22.43
4	630	OXB630E3S4QT	1SCA151061R1001	22.43
4	800	OXB800E3S4QT	1SCA150939R1001	22.43
4	1000	OXB1000E3S4QT	1SCA153581R1001	57.58
4	1250	OXB1250E3S4QT	1SCA153615R1001	57.58
4	1600	OXB1600E3S4QT	1SCA152413R1001	57.58



Automatic transfer switches – UL

Open style

Level 2 – Open transition

- 28 Cabling - bottom entry
- 29 Cabling - top entry

Level 2 – Delayed transition

- 30 Cabling - bottom entry
- 31 Cabling - top entry

Level 3 – Open transition

- 32 Cabling - bottom entry
- 33 Cabling - top entry

Level 3 – Open transition with overlapping neutral

- 34 Cabling - bottom & top entry

Level 3 – Delayed transition

- 35 Cabling - bottom entry
- 36 Cabling - top entry

Level 4 – Open transition

- 37 Cabling - bottom entry
- 38 Cabling - top entry

Level 4 – Open transition with overlapping neutral

- 39 Cabling - bottom & top entry

Level 4 – Delayed transition

- 40 Cabling - bottom entry
 - 41 Cabling - top entry
-

Ordering Information

Automatic transfer switches - UL

Open transition – Open style, Level 2 DIP controls

I-II –operation without stable OFF position between positions I and II.

Delivery includes handle for manual operation, 2 m RJ45 connection cable between detachable HMI and ATS frame.

Terminal connection kits (bolts, nuts and washers) and mechanical lugs available as accessory.



OXA30...200U2X2QT



OXA260U2X2QB



OXA400...600U2X2QB



OXA260U3X2QB



OXA30...200U3X2QB



OXA400...600U3X2QB



OXA800...1200U3X2QB



OXA30...200U3S2QB



OXA260U3S2QB



OXA400...600U3S2QB



OXA800...1200U3S2QB

Bottom entry - Source 1 and Source 2 connections on bottom, load connections on top

No. of poles	Rated current [A]		Type	Order number	Weight/unit kg
	UL	IEC			
2	30		OXA30U2X2QB	1SCA153327R1001	12.76
2	60		OXA60U2X2QB	1SCA153349R1001	12.76
2	100		OXA100U2X2QB	1SCA153243R1001	12.76
2	125		OXA125U2X2QB	1SCA153263R1001	12.76
2	160		OXA160U2X2QB	1SCA153285R1001	12.76
2	200	250	OXA200U2X2QB	1SCA153302R1001	12.76
2	260	400	OXA260U2X2QB	1SCA153315R1001	13.74
2	400	400	OXA400U2X2QB	1SCA150972R1001	17.01
2	600	800	OXA600U2X2QB	1SCA150988R1001	17.12
3	30		OXA30U3X2QB	1SCA153343R1001	14.35
3	60		OXA60U3X2QB	1SCA153369R1001	14.35
3	100		OXA100U3X2QB	1SCA153257R1001	14.35
3	125		OXA125U3X2QB	1SCA153279R1001	14.35
3	160		OXA160U3X2QB	1SCA153297R1001	14.35
3	200	250	OXA200U3X2QB	1SCA152790R1001	14.35
3	260	400	OXA260U3X2QB	1SCA153323R1001	15.82
3	400	400	OXA400U3X2QB	1SCA149949R1001	19.65
3	600	800	OXA600U3X2QB	1SCA150998R1001	19.46
3	800	1600	OXA800U3X2QB	1SCA151489R1001	43.64
3	1000		OXA1000U3X2QB	1SCA153548R1001	43.64
3	1200		OXA1200U3X2QB	1SCA153560R1001	43.64
4	30		OXA30U3S2QB	1SCA153544R1001	15.94
4	60		OXA60U3S2QB	1SCA153251R1001	15.94
4	100		OXA100U3S2QB	1SCA153555R1001	15.94
4	125		OXA125U3S2QB	1SCA153273R1001	15.94
4	160		OXA160U3S2QB	1SCA152035R1001	15.94
4	200	250	OXA200U3S2QB	1SCA152789R1001	15.94
4	260	400	OXA260U3S2QB	1SCA153320R1001	18.02
4	400	400	OXA400U3S2QB	1SCA153335R1001	21.28
4	600	800	OXA600U3S2QB	1SCA150978R1001	21.28
4	800	1600	OXA800U3S2QB	1SCA150994R1001	56.58
4	1000		OXA1000U3S2QB	1SCA153358R1001	56.58
4	1200		OXA1200U3S2QB	1SCA153569R1001	56.58

Notes: Phase barriers on the LOAD side required with 400-1200A (included in the delivery).

Ordering Information

Automatic transfer switches - UL

Open transition – Open style, Level 2 DIP controls

I-II –operation without stable OFF position between positions I and II.

Delivery includes handle for manual operation, 2 m RJ45 connection cable between detachable HMI and ATS frame.

Terminal connection kits (bolts, nuts and washers) and mechanical lugs available as accessory.



Top entry - Source 1 and Source 2 connections on top, load connections on bottom

No. of poles	Rated current [A]		Type	Order number	Weight/unit kg
	UL	IEC			
2	30		OXA30U2X2QT	1SCA153328R1001	12.79
2	60		OXA60U2X2QT	1SCA153350R1001	12.79
2	100		OXA100U2X2QT	1SCA153244R1001	12.79
2	125		OXA125U2X2QT	1SCA153264R1001	12.79
2	160		OXA160U2X2QT	1SCA153286R1001	12.79
2	200	250	OXA200U2X2QT	1SCA153303R1001	12.79
2	260	400	OXA260U2X2QT	1SCA153316R1001	13.77
2	400	400	OXA400U2X2QT	1SCA150973R1001	17.04
2	600	800	OXA600U2X2QT	1SCA150989R1001	17.15
3	30		OXA30U3X2QT	1SCA153344R1001	14.38
3	60		OXA60U3X2QT	1SCA153370R1001	14.38
3	100		OXA100U3X2QT	1SCA153258R1001	14.38
3	125		OXA125U3X2QT	1SCA153280R1001	14.38
3	160		OXA160U3X2QT	1SCA153298R1001	14.38
3	200	250	OXA200U3X2QT	1SCA153311R1001	14.38
3	260	400	OXA260U3X2QT	1SCA153324R1001	15.85
3	400	400	OXA400U3X2QT	1SCA150980R1001	19.68
3	600	800	OXA600U3X2QT	1SCA150999R1001	19.49
3	800	1600	OXA800U3X2QT	1SCA151490R1001	44.67
3	1000		OXA1000U3X2QT	1SCA153549R1001	43.67
3	1200		OXA1200U3X2QT	1SCA153561R1001	43.67
4	30		OXA30U3S2QT	1SCA153336R1001	15.97
4	60		OXA60U3S2QT	1SCA153360R1001	15.97
4	100		OXA100U3S2QT	1SCA153252R1001	15.97
4	125		OXA125U3S2QT	1SCA153274R1001	15.97
4	160		OXA160U3S2QT	1SCA152036R1001	15.97
4	200	250	OXA200U3S2QT	1SCA153308R1001	15.97
4	260	400	OXA260U3S2QT	1SCA152040R1001	18.05
4	400	400	OXA400U3S2QT	1SCA150979R1001	21.31
4	600	800	OXA600U3S2QT	1SCA149953R1001	21.73
4	800	1600	OXA800U3S2QT	1SCA153570R1001	56.61
4	1000		OXA1000U3S2QT	1SCA153545R1001	56.61
4	1200		OXA1200U3S2QT	1SCA151483R1001	56.61

Notes: Phase barriers on the LOAD side required with 400-1200A (included in the delivery).

Ordering Information

Automatic transfer switches - UL

Delayed transition – Open style, Level 2 DIP controls

I-O-II –operation with stable OFF position between positions I and II.

Delivery includes handle for manual operation, 2 m RJ45 connection cable between detachable HMI and ATS frame.

Terminal connection kits (bolts, nuts and washers) and mechanical lugs available as accessory.



OXB30...200U2X2QB



OXB600U2X2QB



OXB30...200U3X2QB



OXB400...600U3X2QB



OXB800...1200U3X2QB



OXB30...200U3S2QB



OXB400...600U3S2QB



OXB800...1200U3S2QB

Bottom entry - Source 1 and Source 2 connections on bottom, load connections on top

No. of poles	Rated current [A]		Type	Order number	Weight/unit kg
	UL	IEC			
2	30		OXB30U2X2QB	1SCA153481R1001	13.06
2	60		OXB60U2X2QB	1SCA153525R1001	13.06
2	100		OXB100U2X2QB	1SCA153375R1001	13.06
2	125		OXB125U2X2QB	1SCA153391R1001	13.06
2	160		OXB160U2X2QB	1SCA153407R1001	13.06
2	200	250	OXB200U2X2QB	1SCA153436R1001	13.06
2	260	400	OXB260U2X2QB	1SCA153465R1001	14.04
2	400	400	OXB400U2X2QB	1SCA151007R1001	17.51
2	600	800	OXB600U2X2QB	1SCA151033R1001	17.58
3	30		OXB30U3X2QB	1SCA153491R1001	14.65
3	60		OXB60U3X2QB	1SCA153535R1001	14.65
3	100		OXB100U3X2QB	1SCA153385R1001	14.65
3	125		OXB125U3X2QB	1SCA153401R1001	14.65
3	160		OXB160U3X2QB	1SCA153417R1001	14.65
3	200	250	OXB200U3X2QB	1SCA153446R1001	14.65
3	260	400	OXB260U3X2QB	1SCA153475R1001	16.12
3	400	400	OXB400U3X2QB	1SCA151017R1001	19.70
3	600	800	OXB600U3X2QB	1SCA151043R1001	19.92
3	800	1600	OXB800U3X2QB	1SCA153637R1001	44.14
3	1000		OXB1000U3X2QB	1SCA153592R1001	44.14
3	1200		OXB1200U3X2QB	1SCA153604R1001	44.14
4	30		OXB30U3S2QB	1SCA153485R1001	16.24
4	60		OXB60U3S2QB	1SCA153529R1001	16.24
4	100		OXB100U3S2QB	1SCA153379R1001	16.24
4	125		OXB125U3S2QB	1SCA153395R1001	16.24
4	160		OXB160U3S2QB	1SCA153411R1001	16.24
4	200	250	OXB200U3S2QB	1SCA153440R1001	16.24
4	260	400	OXB260U3S2QB	1SCA153469R1001	18.32
4	400	400	OXB400U3S2QB	1SCA151011R1001	21.78
4	600	800	OXB600U3S2QB	1SCA151037R1001	22.20
4	800	1600	OXB800U3S2QB	1SCA153631R1001	57.08
4	1000		OXB1000U3S2QB	1SCA153586R1001	57.08
4	1200		OXB1200U3S2QB	1SCA153598R1001	57.08

Notes: Phase barriers on the LOAD side required with 400-1200A (included in the delivery).

Ordering Information

Automatic transfer switches - UL

Delayed transition – Open style, Level 2 DIP controls

I-O-II –operation with stable OFF position between positions I and II.

Delivery includes handle for manual operation, 2 m RJ45 connection cable between detachable HMI and ATS frame.

Terminal connection kits (bolts, nuts and washers) and mechanical lugs available as accessory.



OXB30...200U2X2QT



OXB260U2X2QT



OXB400...600U2X2QT



OXB30...200U3X2QT



OXB260U3X2QT



OXB800...1200U3X2QT



OXB30...200U3S2QT



OXB400...600U3S2QT

Top entry - Source 1 and Source 2 connections on top, load connections on bottom

No. of poles	Rated current [A]		Type	Order number	Weight/unit kg
	UL	IEC			
2	30		OXB30U2X2QT	1SCA153482R1001	13.09
2	60		OXB60U2X2QT	1SCA153526R1001	13.09
2	100		OXB100U2X2QT	1SCA153376R1001	13.09
2	125		OXB125U2X2QT	1SCA153392R1001	13.09
2	160		OXB160U2X2QT	1SCA153408R1001	13.09
2	200	250	OXB200U2X2QT	1SCA153437R1001	13.09
2	260	400	OXB260U2X2QT	1SCA153466R1001	14.07
2	400	400	OXB400U2X2QT	1SCA151008R1001	17.54
2	600	800	OXB600U2X2QT	1SCA151034R1001	17.61
3	30		OXB30U3X2QT	1SCA153491R1001	14.68
3	60		OXB60U3X2QT	1SCA153535R1001	14.68
3	100		OXB100U3X2QT	1SCA153385R1001	14.68
3	125		OXB125U3X2QT	1SCA153401R1001	14.68
3	160		OXB160U3X2QT	1SCA153418R1001	14.68
3	200	250	OXB200U3X2QT	1SCA153447R1001	14.68
3	260	400	OXB260U3X2QT	1SCA153476R1001	16.15
3	400	400	OXB400U3X2QT	1SCA151018R1001	19.73
3	600	800	OXB600U3X2QT	1SCA151044R1001	19.95
3	800	1600	OXB800U3X2QT	1SCA153638R1001	44.17
3	1000		OXB1000U3X2QT	1SCA153593R1001	44.17
3	1200		OXB1200U3X2QT	1SCA153605R1001	44.17
4	30		OXB30U3S2QT	1SCA153486R1001	16.27
4	60		OXB60U3S2QT	1SCA153530R1001	16.27
4	100		OXB100U3S2QT	1SCA153380R1001	16.27
4	125		OXB125U3S2QT	1SCA153396R1001	16.27
4	160		OXB160U3S2QT	1SCA153412R1001	16.27
4	200	250	OXB200U3S2QT	1SCA153441R1001	16.27
4	260	400	OXB260U3S2QT	1SCA153470R1001	18.35
4	400	400	OXB400U3S2QT	1SCA151012R1001	21.81
4	600	800	OXB600U3S2QT	1SCA151038R1001	22.23
4	800	1600	OXB800U3S2QT	1SCA153632R1001	57.11
4	1000		OXB1000U3S2QT	1SCA153587R1001	57.11
4	1200		OXB1200U3S2QT	1SCA153599R1001	57.11

Notes: Phase barriers on the LOAD side required with 400-1200A (included in the delivery).

Ordering Information

Automatic transfer switches - UL

Open transition – Open style, Level 3 controls

I-II –operation without stable OFF position between positions I and II.

Delivery includes handle for manual operation, 2 m RJ45 connection cable between detachable HMI and ATS frame.

Terminal connection kits (bolts, nuts and washers) and mechanical lugs available as accessory.



OXA30...200U2X3QB



OXA600U2X3QB



OXA400...600U2X3QB



OXA30...200U3X3QB



OXA260U3X3QB



OXA400...600U3X3QB



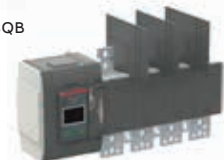
OXA800...1200U3X3QB



OXA30...200U3S3QB



OXA400...600U3S3QB



OXA800...1200U3S3QB

Bottom entry - Source 1 and Source 2 connections on bottom, load connections on top

No. of poles	Rated current [A]		Type	Order number	Weight/unit kg
	UL	IEC			
2	30		OXA30U2X3QB	1SCA153329R1001	12.76
2	60		OXA60U2X3QB	1SCA153351R1001	12.76
2	100		OXA100U2X3QB	1SCA153245R1001	12.76
2	125		OXA125U2X3QB	1SCA153265R1001	12.76
2	160		OXA160U2X3QB	1SCA153287R1001	12.76
2	200	250	OXA200U2X3QB	1SCA153304R1001	12.76
2	260	400	OXA260U2X3QB	1SCA153317R1001	13.74
2	400	400	OXA400U2X3QB	1SCA150974R1001	17.01
2	600	800	OXA600U2X3QB	1SCA150990R1001	17.12
3	30		OXA30U3X3QB	1SCA153345R1001	14.35
3	60		OXA60U3X3QB	1SCA153371R1001	14.35
3	100		OXA100U3X3QB	1SCA153259R1001	14.35
3	125		OXA125U3X3QB	1SCA153281R1001	14.35
3	160		OXA160U3X3QB	1SCA153299R1001	14.35
3	200	250	OXA200U3X3QB	1SCA153312R1001	14.35
3	260	400	OXA260U3X3QB	1SCA152793R1001	15.82
3	400	400	OXA400U3X3QB	1SCA150981R1001	19.65
3	600	800	OXA600U3X3QB	1SCA151000R1001	19.46
3	800	1600	OXA800U3X3QB	1SCA153573R1001	43.64
3	1000		OXA1000U3X3QB	1SCA153550R1001	43.64
3	1200		OXA1200U3X3QB	1SCA153562R1001	43.64
4	30		OXA30U3S3QB	1SCA153339R1001	15.94
4	60		OXA60U3S3QB	1SCA153361R1001	15.94
4	100		OXA100U3S3QB	1SCA153253R1001	15.94
4	125		OXA125U3S3QB	1SCA153275R1001	15.94
4	160		OXA160U3S3QB	1SCA153293R1001	15.94
4	200	250	OXA200U3S3QB	1SCA153309R1001	15.94
4	260	400	OXA260U3S3QB	1SCA153321R1001	18.02
4	400	400	OXA400U3S3QB	1SCA149945R1001	21.28
4	600	800	OXA600U3S3QB	1SCA150995R1001	21.70
4	800	1600	OXA800U3S3QB	1SCA151487R1001	56.58
4	1000		OXA1000U3S3QB	1SCA153546R1001	56.58
4	1200		OXA1200U3S3QB	1SCA153556R1001	56.58

Notes: Phase barriers on the LOAD side required with 400-1200A (included in the delivery).

Ordering Information

Automatic transfer switches - UL

Open transition – Open style, Level 3 controls

I-II –operation without stable OFF position between positions I and II.
 Delivery includes handle for manual operation, 2 m RJ45 connection cable between detachable HMI and ATS frame.

Terminal connection kits (bolts, nuts and washers) and mechanical lugs available as accessory.



OXA30...200U2X3QT



OXA400...600U2X3QT

OXA30...200U3X3QT



OXA260U3X3QT

OXA400...600U3X3QT



OXA800...1200U3X3QT



OXA30...200U3S3QT



OXA260U3S3QT



OXA400...600U3S3QT



OXA800...1200U3S3QT

Top entry - Source 1 and Source 2 connections on top, load connections on bottom

No. of poles	Rated current [A]		Type	Order number	Weight/unit kg
	UL	IEC			
2	30		OXA30U2X3QT	1SCA153329R1001	12.76
2	60		OXA60U2X3QT	1SCA153351R1001	12.76
2	100		OXA100U2X3QT	1SCA153245R1001	12.76
2	125		OXA125U2X3QT	1SCA153265R1001	12.76
2	160		OXA160U2X3QT	1SCA153287R1001	12.76
2	200	250	OXA200U2X3QT	1SCA153304R1001	12.76
2	260	400	OXA260U2X3QT	1SCA153317R1001	13.74
2	400	400	OXA400U2X3QT	1SCA150974R1001	17.01
2	600	800	OXA600U2X3QT	1SCA150990R1001	17.12
3	30		OXA30U3X3QT	1SCA153346R1001	14.35
3	60		OXA60U3X3QT	1SCA153372R1001	14.35
3	100		OXA100U3X3QT	1SCA153260R1001	14.35
3	125		OXA125U3X3QT	1SCA153282R1001	14.35
3	160		OXA160U3X3QT	1SCA153300R1001	14.35
3	200	250	OXA200U3X3QT	1SCA153313R1001	14.35
3	260	400	OXA260U3X3QT	1SCA153325R1001	15.82
3	400	400	OXA400U3X3QT	1SCA150982R1001	19.65
3	600	800	OXA600U3X3QT	1SCA151001R1001	19.46
3	800	1600	OXA800U3X3QT	1SCA153574R1001	43.64
3	1000		OXA1000U3X3QT	1SCA153551R1001	43.64
3	1200		OXA1200U3X3QT	1SCA153563R1001	43.64
4	30		OXA30U3S3QT	1SCA153340R1001	15.94
4	60		OXA60U3S3QT	1SCA153362R1001	15.94
4	100		OXA100U3S3QT	1SCA153254R1001	15.94
4	125		OXA125U3S3QT	1SCA153276R1001	15.94
4	160		OXA160U3S3QT	1SCA153294R1001	15.94
4	200	250	OXA200U3S3QT	1SCA152038R1001	15.94
4	260	400	OXA260U3S3QT	1SCA153322R1001	18.02
4	400	400	OXA400U3S3QT	1SCA149946R1001	21.28
4	600	800	OXA600U3S3QT	1SCA150996R1001	21.70
4	800	1600	OXA800U3S3QT	1SCA153571R1001	56.58
4	1000		OXA1000U3S3QT	1SCA153547R1001	56.58
4	1200		OXA1200U3S3QT	1SCA153557R1001	56.58

Notes: Phase barriers on the LOAD side required with 400-1200A (included in the delivery).

Ordering Information

Automatic transfer switches - UL



OXA30...200U3O3QB



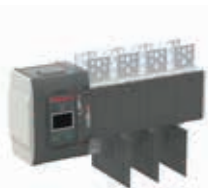
OXA400...600U3O3QB



OXA800...1200U3O3QB



OXA400...600U3O3QT



OXA800...1200U3O3QT

Open transition with overlapping neutral – Open style, Level 3 controls

I-II –operation without stable OFF position between positions I and II.

Overlapping neutral means the neutral will not be disconnected from the load when transferring from source to another.

Delivery includes handle for manual operation, 2 m connection cable between detachable HMI and ATS frame.

Terminal connection kits (bolts, nuts and washers) and mechanical lugs available as accessory.

Bottom entry - Source 1 and Source 2 connections on bottom, load connections on top

No. of poles	Rated current [A]		Type	Order number	Weight/unit kg
	UL	IEC			
4	30		OXA30U3O3QB	1SCA153331R1001	15.74
4	60		OXA60U3O3QB	1SCA153353R1001	15.74
4	100		OXA100U3O3QB	1SCA153247R1001	15.74
4	125		OXA125U3O3QB	1SCA153269R1001	15.74
4	160		OXA160U3O3QB	1SCA153289R1001	15.74
4	200	250	OXA200U3O3QB	1SCA153306R1001	15.74
4	260	400	OXA260U3O3QB	1SCA152791R1001	18.00
4	400	400	OXA400U3O3QB	1SCA149943R1001	21.16
4	600	800	OXA600U3O3QB	1SCA150992R1001	21.58
4	800	1600	OXA800U3O3QB	1SCA153565R1001	56.58
4	1000		OXA1000U3O3QB	1SCA153541R1001	56.58
4	1200		OXA1200U3O3QB	1SCA151480R1001	56.58

Top entry - Source 1 and Source 2 connections on top, load connections on bottom

No. of poles	Rated current [A]		Type	Order number	Weight/unit kg
	UL	IEC			
4	30		OXA30U3O3QT	1SCA153332R1001	15.77
4	60		OXA60U3O3QT	1SCA153354R1001	15.77
4	100		OXA100U3O3QT	1SCA153248R1001	15.77
4	125		OXA125U3O3QT	1SCA153270R1001	15.77
4	160		OXA160U3O3QT	1SCA153290R1001	15.77
4	200	250	OXA200U3O3QT	1SCA152430R1001	15.77
4	260	400	OXA260U3O3QT	1SCA153319R1001	17.93
4	400	400	OXA400U3O3QT	1SCA150976R1001	21.19
4	600	800	OXA600U3O3QT	1SCA150993R1001	21.61
4	800	1600	OXA800U3O3QT	1SCA153566R1001	56.61
4	1000		OXA1000U3O3QT	1SCA153542R1001	56.61
4	1200		OXA1200U3O3QT	1SCA151481R1001	56.61

Notes: Phase barriers on the LOAD side required with 400-1200A (included in the delivery).

Ordering Information

Automatic transfer switches - UL

Delayed transition – Open style, Level 3 controls

I-O-II –operation with stable OFF position between positions I and II.

Delivery includes handle for manual operation, 2 m RJ45 connection cable between detachable HMI and ATS frame.

Terminal connection kits (bolts, nuts and washers) and mechanical lugs available as accessory.



OXB30...200U2X3QB



OXB400...600U2X3QB



OXB30...200U3X3QB



OXB260U3X3QB



OXB400...600U3X3QB



OXB800...1200U3X3QB



OXB30...200U3S3QB



OXB400...600U3S3QB



OXB400...600U3S3QB



OXB800...1200U3S3QB

Bottom entry - Source 1 and Source 2 connections on bottom, load connections on top

No. of poles	Rated current [A]		Type	Order number	Weight/unit kg
	UL	IEC			
2	30		OXB30U2X3QB	1SCA153483R1001	13.06
2	60		OXB60U2X3QB	1SCA153527R1001	13.06
2	100		OXB100U2X3QB	1SCA153377R1001	13.06
2	125		OXB125U2X3QB	1SCA153393R1001	13.06
2	160		OXB160U2X3QB	1SCA153409R1001	13.06
2	200	250	OXB200U2X3QB	1SCA153438R1001	13.06
2	260	400	OXB260U2X3QB	1SCA153467R1001	14.04
2	400	400	OXB400U2X3QB	1SCA151009R1001	17.51
2	600	800	OXB600U2X3QB	1SCA151035R1001	17.58
3	30		OXB30U3X3QB	1SCA153493R1001	14.65
3	60		OXB60U3X3QB	1SCA153537R1001	14.65
3	100		OXB100U3X3QB	1SCA153387R1001	14.65
3	125		OXB125U3X3QB	1SCA153403R1001	14.65
3	160		OXB160U3X3QB	1SCA153419R1001	14.65
3	200	250	OXB200U3X3QB	1SCA153448R1001	14.65
3	260	400	OXB260U3X3QB	1SCA153477R1001	16.12
3	400	400	OXB400U3X3QB	1SCA151019R1001	19.70
3	600	800	OXB600U3X3QB	1SCA151045R1001	19.92
3	800	1600	OXB800U3X3QB	1SCA153639R1001	44.14
3	1000		OXB1000U3X3QB	1SCA153594R1001	44.14
3	1200		OXB1200U3X3QB	1SCA153606R1001	44.14
4	30		OXB30U3S3QB	1SCA153487R1001	16.24
4	60		OXB60U3S3QB	1SCA153531R1001	16.24
4	100		OXB100U3S3QB	1SCA153381R1001	16.24
4	125		OXB125U3S3QB	1SCA153397R1001	16.24
4	160		OXB160U3S3QB	1SCA153413R1001	16.24
4	200	250	OXB200U3S3QB	1SCA153442R1001	16.24
4	260	400	OXB260U3S3QB	1SCA153471R1001	18.32
4	400	400	OXB400U3S3QB	1SCA151013R1001	21.78
4	600	800	OXB600U3S3QB	1SCA151039R1001	22.20
4	800	1600	OXB800U3S3QB	1SCA153633R1001	57.08
4	1000		OXB1000U3S3QB	1SCA153588R1001	57.08
4	1200		OXB1200U3S3QB	1SCA153600R1001	57.08

Notes: Phase barriers on the LOAD side required with 400-1200A (included in the delivery).

Ordering Information

Automatic transfer switches - UL

Delayed transition – Open style, Level 3 controls

I-O-II –operation with stable OFF position between positions I and II.

Delivery includes handle for manual operation, 2 m RJ45 connection cable between detachable HMI and ATS frame.

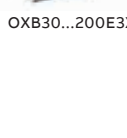
Terminal connection kits (bolts, nuts and washers) and mechanical lugs available as accessory.



OXB30...200U2X3QT



OXB400...600U2X3QT



OXB30...200E3X3QT



OXB400...600U3X3QT



OXB260U3X3QT



OXB800...1200U3X3QT



OXB30...200U3S3QT



OXB260U3S3QT



OXB400...600U3S3QT



OXB800...1200U3S3QT

Top entry - Source 1 and Source 2 connections on top, load connections on bottom

No. of poles	Rated current [A]		Type	Order number	Weight/unit kg
	UL	IEC			
2	30		OXB30U2X3QT	1SCA153484R1001	13.09
2	60		OXB60U2X3QT	1SCA153528R1001	13.09
2	100		OXB100U2X3QT	1SCA153378R1001	13.09
2	125		OXB125U2X3QT	1SCA153394R1001	13.09
2	160		OXB160U2X3QT	1SCA153410R1001	13.09
2	200	250	OXB200U2X3QT	1SCA153439R1001	13.09
2	260	400	OXB260U2X3QT	1SCA153468R1001	14.07
2	400	400	OXB400U2X3QT	1SCA151010R1001	17.54
2	600	800	OXB600U2X3QT	1SCA151036R1001	17.61
3	30		OXB30U3X3QT	1SCA153494R1001	14.68
3	60		OXB60U3X3QT	1SCA153538R1001	14.68
3	100		OXB100U3X3QT	1SCA153388R1001	14.68
3	125		OXB125U3X3QT	1SCA153404R1001	14.68
3	160		OXB160U3X3QT	1SCA153420R1001	14.68
3	200	250	OXB200U3X3QT	1SCA153449R1001	14.68
3	260	400	OXB260U3X3QT	1SCA153478R1001	16.15
3	400	400	OXB400U3X3QT	1SCA151020R1001	19.73
3	600	800	OXB600U3X3QT	1SCA151046R1001	19.95
3	800	1600	OXB800U3X3QT	1SCA153640R1001	44.17
3	1000		OXB1000U3X3QT	1SCA153595R1001	44.17
3	1200		OXB1200U3X3QT	1SCA153607R1001	44.17
4	30		OXB30U3S3QT	1SCA153488R1001	16.27
4	60		OXB60U3S3QT	1SCA153532R1001	16.27
4	100		OXB100U3S3QT	1SCA153382R1001	16.27
4	125		OXB125U3S3QT	1SCA153398R1001	16.27
4	160		OXB160U3S3QT	1SCA153414R1001	16.27
4	200	250	OXB200U3S3QT	1SCA153443R1001	16.27
4	260	400	OXB260U3S3QT	1SCA153472R1001	18.35
4	400	400	OXB400U3S3QT	1SCA151014R1001	21.81
4	600	800	OXB600U3S3QT	1SCA151040R1001	22.23
4	800	1600	OXB800U3S3QT	1SCA153634R1001	57.11
4	1000		OXB1000U3S3QT	1SCA153589R1001	57.11
4	1200		OXB1200U3S3QT	1SCA153601R1001	57.11

Notes: Phase barriers on the LOAD side required with 400-1200A (included in the delivery).

Ordering Information

Automatic transfer switches - UL

Open transition – Open style, Level 4 controls

I-II –operation without stable OFF position between positions I and II.

Delivery includes handle for manual operation, 2 m RJ45 connection cable between detachable HMI and ATS frame.

Terminal connection kits (bolts, nuts and washers) and mechanical lugs available as accessory.



Bottom entry - Source 1 and Source 2 connections on bottom, load connections on top

No. of poles	Rated current [A]		Type	Order number	Weight/unit kg
	UL	IEC			
3	30		OXA30U3X4QB	1SCA153347R1001	14.52
3	60		OXA60U3X4QB	1SCA153373R1001	14.52
3	100		OXA100U3X4QB	1SCA153261R1001	14.52
3	125		OXA125U3X4QB	1SCA153283R1001	14.52
3	160		OXA160U3X4QB	1SCA152429R1001	14.52
3	200	250	OXA200U3X4QB	1SCA153314R1001	14.52
3	260	400	OXA260U3X4QB	1SCA152434R1001	16.00
3	400	400	OXA400U3X4QB	1SCA150983R1001	19.85
3	600	800	OXA600U3X4QB	1SCA151002R1001	19.66
3	800	1600	OXA800U3X4QB	1SCA153575R1001	44.00
3	1000		OXA1000U3X4QB	1SCA153552R1001	44.00
3	1200		OXA1200U3X4QB	1SCA151484R1001	44.00
4	30		OXA30U3S4QB	1SCA153341R1001	16.17
4	60		OXA60U3S4QB	1SCA153363R1001	16.17
4	100		OXA100U3S4QB	1SCA153255R1001	16.17
4	125		OXA125U3S4QB	1SCA153277R1001	16.17
4	160		OXA160U3S4QB	1SCA153295R1001	16.17
4	200	250	OXA200U3S4QB	1SCA152431R1001	16.17
4	260	400	OXA260U3S4QB	1SCA152792R1001	18.35
4	400	400	OXA400U3S4QB	1SCA149947R1001	21.48
4	600	800	OXA600U3S4QB	1SCA149954R1001	21.90
4	800	1600	OXA800U3S4QB	1SCA151488R1001	57.05
4	1000		OXA1000U3S4QB	1SCA151478R1001	57.05
4	1200		OXA1200U3S4QB	1SCA153558R1001	57.05

Notes: Phase barriers on the LOAD side required with 400-1200A (included in the delivery).

Ordering Information

Automatic transfer switches - UL

Open transition – Open style, Level 4 controls

I-II –operation without stable OFF position between positions I and II.

Delivery includes handle for manual operation, 2 m RJ45 connection cable between detachable HMI and ATS frame.

Terminal connection kits (bolts, nuts and washers) and mechanical lugs available as accessory.



OXA30...200U3X4QT



OXA260U3X4QT



OXA400...600U3X4QT



OXA800...1200U3X4QT



OXA30...200U3S4QT



OXA260U3S4QT



OXA400...600U3S4QT



OXA800...1200U3S4QT

Top entry - Source 1 and Source 2 connections on top, load connections on bottom

No. of poles	Rated current [A]		Type	Order number	Weight/unit kg
	UL	IEC			
3	30		OXA30U3X4QT	1SCA153348R1001	14.55
3	60		OXA60U3X4QT	1SCA153374R1001	14.55
3	100		OXA100U3X4QT	1SCA153262R1001	14.55
3	125		OXA125U3X4QT	1SCA153284R1001	14.55
3	160		OXA160U3X4QT	1SCA153301R1001	14.55
3	200	250	OXA200U3X4QT	1SCA152432R1001	14.55
3	260	400	OXA260U3X4QT	1SCA153326R1001	16.03
3	400	400	OXA400U3X4QT	1SCA149950R1001	19.88
3	600	800	OXA600U3X4QT	1SCA149955R1001	19.65
3	800	1600	OXA800U3X4QT	1SCA153576R1001	44.03
3	1000		OXA1000U3X4QT	1SCA153553R1001	44.03
3	1200		OXA1200U3X4QT	1SCA153564R1001	44.03
4	30		OXA30U3S4QT	1SCA153342R1001	16.20
4	60		OXA60U3S4QT	1SCA153368R1001	16.20
4	100		OXA100U3S4QT	1SCA153256R1001	16.20
4	125		OXA125U3S4QT	1SCA153278R1001	16.20
4	160		OXA160U3S4QT	1SCA153296R1001	16.20
4	200	250	OXA200U3S4QT	1SCA153310R1001	16.20
4	260	400	OXA260U3S4QT	1SCA152041R1001	18.28
4	400	400	OXA400U3S4QT	1SCA149948R1001	21.31
4	600	800	OXA600U3S4QT	1SCA150997R1001	21.93
4	800	1600	OXA800U3S4QT	1SCA153572R1001	57.08
4	1000		OXA1000U3S4QT	1SCA151479R1001	57.08
4	1200		OXA1200U3S4QT	1SCA153559R1001	57.08

Notes: Phase barriers on the LOAD side required with 400-1200A (included in the delivery).

Ordering Information

Automatic transfer switches - UL

Open transition with overlapping neutral – Open style, Level 4 controls

I-II –operation without stable OFF position between positions I and II.

Overlapping neutral means the neutral will not be disconnected from the load when transferring from source to another.

Delivery includes handle for manual operation, 2 m connection cable between detachable HMI and ATS frame.

Terminal connection kits (bolts, nuts and washers) and mechanical lugs available as accessory.



Bottom entry - Source 1 and Source 2 connections on bottom, load connections on top

No. of poles	Rated current [A]		Type	Order number	Weight/unit kg
	UL	IEC			
4	30		OXA30U3O4QB	1SCA153333R1001	15.94
4	60		OXA60U3O4QB	1SCA153355R1001	15.94
4	100		OXA100U3O4QB	1SCA153249R1001	15.94
4	125		OXA125U3O4QB	1SCA153271R1001	15.94
4	160		OXA160U3O4QB	1SCA153291R1001	15.94
4	200	250	OXA200U3O4QB	1SCA152037R1001	15.97
4	260	400	OXA260U3O4QB	1SCA152039R1001	18.13
4	400	400	OXA400U3O4QB	1SCA149944R1001	21.06
4	600	800	OXA600U3O4QB	1SCA149951R1001	21.78
4	800	1600	OXA800U3O4QB	1SCA153567R1001	57.05
4	1000		OXA1000U3O4QB	1SCA151477R1001	57.05
4	1200		OXA1200U3O4QB	1SCA151482R1001	57.05

Top entry - Source 1 and Source 2 connections on top, load connections on bottom

No. of poles	Rated current [A]		Type	Order number	Weight/unit kg
	UL	IEC			
4	30		OXA30U3O4QT	1SCA153334R1001	15.97
4	60		OXA60U3O4QT	1SCA153356R1001	15.97
4	100		OXA100U3O4QT	1SCA153250R1001	15.97
4	125		OXA125U3O4QT	1SCA153272R1001	15.97
4	160		OXA160U3O4QT	1SCA153292R1001	15.97
4	200	250	OXA200U3O4QT	1SCA153307R1001	15.97
4	260	400	OXA260U3O4QT	1SCA152433R1001	18.16
4	400	400	OXA400U3O4QT	1SCA150977R1001	21.39
4	600	800	OXA600U3O4QT	1SCA149952R1001	21.81
4	800	1600	OXA800U3O4QT	1SCA153568R1001	57.08
4	1000		OXA1000U3O4QT	1SCA153543R1001	57.08
4	1200		OXA1200U3O4QT	1SCA153554R1001	57.08

Notes: Phase barriers on the LOAD side required with 400-1200A (included in the delivery).

Ordering Information

Automatic transfer switches - UL

Delayed transition – Open style, Level 4 controls

I-O-II –operation with stable OFF position between positions I and II.

Delivery includes handle for manual operation, 2 m RJ45 connection cable between detachable HMI and ATS frame.

Terminal connection kits (bolts, nuts and washers) and mechanical lugs available as accessory.



OXB260U3X4QB



OXB30...200U3X4QB



OXB400...600U3X4QB



OXB800...1200U3X4QB



OXB30...200U3S4QB



OXB260U3S4QB



OXB400...600U3S4QB



OXB800...1200U3S4QB

Bottom entry - Source 1 and Source 2 connections on bottom, load connections on top

No. of poles	Rated current [A]		Type	Order number	Weight/unit kg
	UL	IEC			
3	30		OXB30U3X4QB	1SCA153495R1001	14.82
3	60		OXB60U3X4QB	1SCA153539R1001	14.82
3	100		OXB100U3X4QB	1SCA153389R1001	14.82
3	125		OXB125U3X4QB	1SCA153405R1001	14.82
3	160		OXB160U3X4QB	1SCA153421R1001	14.82
3	200	250	OXB200U3X4QB	1SCA153450R1001	14.82
3	260	400	OXB260U3X4QB	1SCA153479R1001	16.30
3	400	400	OXB400U3X4QB	1SCA151021R1001	19.90
3	600	800	OXB600U3X4QB	1SCA151047R1001	20.12
3	800	1600	OXB800U3X4QB	1SCA153641R1001	44.50
3	1000		OXB1000U3X4QB	1SCA153596R1001	44.50
3	1200		OXB1200U3X4QB	1SCA153608R1001	44.50
4	30		OXB30U3S4QB	1SCA153489R1001	16.47
4	60		OXB60U3S4QB	1SCA153533R1001	16.47
4	100		OXB100U3S4QB	1SCA153383R1001	16.47
4	125		OXB125U3S4QB	1SCA153399R1001	16.47
4	160		OXB160U3S4QB	1SCA153415R1001	16.47
4	200	250	OXB200U3S4QB	1SCA153444R1001	16.47
4	260	400	OXB260U3S4QB	1SCA153473R1001	18.55
4	400	400	OXB400U3S4QB	1SCA151015R1001	21.98
4	600	800	OXB600U3S4QB	1SCA151041R1001	22.40
4	800	1600	OXB800U3S4QB	1SCA153635R1001	57.55
4	1000		OXB1000U3S4QB	1SCA153590R1001	57.55
4	1200		OXB1200U3S4QB	1SCA153602R1001	57.55

Notes: Phase barriers on the LOAD side required with 400-1200A (included in the delivery).

Ordering Information

Automatic transfer switches - UL

Delayed transition – Open style, Level 4 controls

I-O-II –operation with stable OFF position between positions I and II.

Delivery includes handle for manual operation, 2 m RJ45 connection cable between detachable HMI and ATS frame.

Terminal connection kits (bolts, nuts and washers) and mechanical lugs available as accessory.



OXB260U3X4QT



OXB30...200U3X4QT



OXB400...600U3X4QT



OXB800...1200U3X4QT



OXB30...200U3S4QT



OXB260U3S4QT



OXB400...600U3S4QT



OXB800...1200U3S4QT

Top entry - Source 1 and Source 2 connections on top, load connections on bottom

No. of poles	Rated current [A]		Type	Order number	Weight/unit kg
	UL	IEC			
3	30		OXB30U3X4QT	1SCA153496R1001	14.85
3	60		OXB60U3X4QT	1SCA153540R1001	14.85
3	100		OXB100U3X4QT	1SCA153390R1001	14.85
3	125		OXB125U3X4QT	1SCA153406R1001	14.85
3	160		OXB160U3X4QT	1SCA153422R1001	14.85
3	200	250	OXB200U3X4QT	1SCA153451R1001	14.85
3	260	400	OXB260U3X4QT	1SCA153480R1001	16.33
3	400	400	OXB400U3X4QT	1SCA151022R1001	19.93
3	600	800	OXB600U3X4QT	1SCA151048R1001	20.15
3	800	1600	OXB800U3X4QT	1SCA153642R1001	44.53
3	1000		OXB1000U3X4QT	1SCA153597R1001	44.53
3	1200		OXB1200U3X4QT	1SCA153609R1001	44.53
4	30		OXB30U3S4QT	1SCA153490R1001	16.50
4	60		OXB60U3S4QT	1SCA153534R1001	16.50
4	100		OXB100U3S4QT	1SCA153384R1001	16.50
4	125		OXB125U3S4QT	1SCA153400R1001	16.50
4	160		OXB160U3S4QT	1SCA153416R1001	16.50
4	200	250	OXB200U3S4QT	1SCA153445R1001	16.50
4	260	400	OXB260U3S4QT	1SCA153474R1001	18.58
4	400	400	OXB400U3S4QT	1SCA151016R1001	22.01
4	600	800	OXB600U3S4QT	1SCA151042R1001	22.43
4	800	1600	OXB800U3S4QT	1SCA153636R1001	57.58
4	1000		OXB1000U3S4QT	1SCA153591R1001	57.58
4	1200		OXB1200U3S4QT	1SCA153603R1001	57.58

Notes: Phase barriers on the LOAD side required with 400-1200A (included in the delivery).



Accessories

44	Auxiliary power supply module Connectivity modules Communication modules for Level 3 and Level 4 controllers
45	Signalling modules for Level 3 and Level 4 controllers Ekip Programming module Ekip Bluetooth wireless communication unit
46	Ekip Com Hub Terminal shrouds Phase barriers
47	Wide blade kit HMI protective cover, IP54 Terminal connection kits
48	UL terminal lugs, mechanical
49	Auxiliary contacts

Accessories

Automatic transfer switches

Auxiliary power supply module

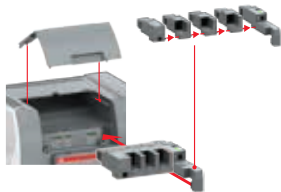
The OXEA1 auxiliary power supply module is used for: a) connecting connectivity modules (signalling and communication) to the switch b) powering the ATS controller and connectivity modules from auxiliary 12-24 Vdc power supply, to keep them operational during power failures. A 12-24Vdc power supply is not required when line power is available but it is necessary to keep the modules operational during power failures.



OXEA1

Suitable for switches	Aux voltage	Type	Order number	Weight /unit kg
OX30...1600	12-24Vdc	OXEA1	1SCA148926R1001	0.04

Connectivity modules



The connectivity modules are used in combination with OXEA1 auxiliary power supply module to enable communication capabilities (Ekip Com modules) and increase the number of digital inputs and outputs (Ekip Signalling modules). The maximum number of additional modules depends on the TruONE switch size: IEC 200-400 Amps and UL 30-260 Amps can fit three additional modules and IEC 500-1600 Amps and UL 400-1200 Amps can fit four additional modules. These modules are available with TruONE Level 3 and Level 4 controllers.

Communication modules for Level 3 and Level 4 controllers

The Ekip Com modules enable TruONE to be integrated in an industrial communication network for remote supervision and control of the switch. Several Ekip Com modules can be installed at the same time, thereby enabling connection to communication systems that use different protocols. The Ekip Com modules for Modbus RTU, Profibus-DP and DeviceNet contain a terminating resistor and dip switch for optional activation to terminate the serial network or bus. The Profibus-DP module also contains a polarization resistor and dip switch for its activation.



EKIP COM

Suitable for switches	Protocol	Type	Order number	Weight /unit kg
OX30...1600	Modbus RTU	Ekip Com Modbus RTU-OX	1SDA104051R1	0.2
OX30...1600	Modbus TCP	Ekip Com Modbus TCP-OX	1SDA104052R1	0.2
OX30...1600	Profibus DP	Ekip Com Profibus	1SDA074152R1	0.2
OX30...1600	Profinet	Ekip Com Profinet	1SDA074153R1	0.2
OX30...1600	EtherNet/IP	Ekip Com EtherNet / IP	1SDA074155R1	0.2
OX30...1600	DeviceNet	Ekip Com DeviceNet	1SDA074154R1	0.2

Accessories

Automatic transfer switches

Signalling modules for Level 3 and Level 4 controllers

The Ekip 2K Signalling modules add two input and two output contacts for controlling and remote signalling. They can be programmed with the HMI unit's display or with the Ekip Connect software. Three versions of the Ekip 2K Signalling modules are available: Ekip 2K-1, Ekip 2K-2, Ekip 2K-3. Simultaneous usage of same types is not possible.



EKIP 2K SIGNALLING

Suitable for switches	No. of DI/DO	DI/DO numbering	Type	Order number	Weight /unit kg
OX30...1600	2/2	11,12/11,12	Ekip Signalling 2K-1-OX	1SDA104053R1	0.2
OX30...1600	2/2	21,22/21,22	Ekip Signalling 2K-2-OX	1SDA104054R1	0.2
OX30...1600	2/2	31,32/31,32	Ekip Signalling 2K-3-OX	1SDA104055R1	0.2

Ekip Programming module

The Ekip Programming module is used for programming TruONE via USB to a PC using the Ekip Connect software that can be downloaded online. It enables both online (line power available) and offline (no line power available) programming. Available for TruONE Level 3 and Level 4 controllers.



EKIP PROGRAMMING

Suitable for switches	Type	Order number	Weight /unit kg
OX30...1600	Ekip Programming	1SDA076154R1	0.2

Ekip Bluetooth wireless communication unit

Ekip Bluetooth is used for programming TruONE and it permits remote connection with the switch by laptop, tablet or smart phone on which Ekip Connect software has been installed. The device is connected to the programming port on the TruONE and it supplies the controller by means of a rechargeable Li-ion battery.

Available for TruONE Level 3 and Level 4 controllers.



EKIP COM BLUETOOTH

Suitable for switches	Type	Order number	Weight /unit kg
OX30...1600	Ekip Com Bluetooth	1SDA074164R1	0.2

Accessories

Automatic transfer switches



EKIP COM HUB

Ekip Com Hub

Ekip Com Hub is a communication module for cloud-based connectivity through the ABB Ability™ Electrical Distribution Control System (EDCS).

TruONE equipped with Ekip Com Hub can establish the connection to ABB Ability for the whole low-voltage power distribution panel. This dedicated cartridge-type communication module just needs to be inserted into the TruONE and connected to the Internet.

For further information related to ABB Ability and Electrical Distribution Control System, please visit the dedicated website <https://new.abb.com/low-voltage/launches/abb-ability-edcs>.

Available for TruONE Level 3 and Level 4 controllers.

Suitable for switches	Type	Order number	Weight /unit kg
OX30...1600	Ekip Com Hub	1SDA082894R1	0.2

Terminal shrouds

Snap-on mounting, IP 20. A kit includes three or four shrouds that can be used on both top and bottom of the switch. Order two sets to cover both top and bottom terminals.



OXES_S



OXES_L

Suitable for switches	No. of poles	Description	Units/ type [pcs]	Type	Order number	Weight /unit kg
IEC 200-250 Amps	3	Short type	3	OXES250G1S/3	1SCA150193R1001	0.2
UL 30-200 Amps	4	Short type	4	OXES250G1S/4	1SCA150194R1001	0.3
	3	Long type	3	OXES250G1L/3	1SCA150191R1001	0.3
	4	Long type	4	OXES250G1L/4	1SCA150192R1001	0.4
IEC 315-800 Amps	3	Short type	3	OXES800G1S/3	1SCA150197R1001	0.3
UL 260-600 Amps	4	Short type	4	OXES800G1S/4	1SCA150198R1001	0.4
	3	Long type	3	OXES800G1L/3	1SCA150195R1001	0.4
	4	Long type	4	OXES800G1L/4	1SCA150196R1001	0.5
IEC 1000-1600 Amps	3	Long type	3	OXES1600G1L/3	1SCA150189R1001	0.5
UL 800-1200 Amps	4	Long type	4	OXES1600G1L/4	1SCA150190R1001	0.7

Note: Terminal shrouds cannot be used together with UL mechanical lugs

Phase barriers

Grey plastic barriers for maintaining 1" clearance between the phases without terminal shrouds. Snap-on mounting. Included as standard for the LOAD side terminals with IEC 500-1600 Amps and UL 400-1200 Amps.



OXEB_

Suitable for switches	No. of poles	Units/type [pcs]	Type	Order number	Weight /unit kg
OX30...1600	3	4	OXEB1600/4	1SCA150201R1001	0.5
OX30...1600	4	6	OXEB1600/6	1SCA150202R1001	0.7

Note: Phase barriers cannot be used together with terminal shrouds.

Accessories

Automatic transfer switches

Wide blade kit

This is required for IEC 1000-1600 A and UL 800-1200 A switches on the LOAD side terminals, when wiring is done with four cables and using mechanical compression lugs.



OXEW1600_

Suitable for switches	No. of poles	Units/type [pcs]	Type	Order number	Weight /unit kg
IEC 1000-1600 Amps	3	6	OXEW1600/3	1SCA150204R1001	1.38
UL 800-1200 Amps	4	8	OXEW1600/4	1SCA150205R1001	1.83

Note: These codes are only for spare part purposes as the items are already included in the standard delivery.

HMI protective cover, IP54

IP54 padlockable transparent cover, providing protection against accidental contact.



OXEC21

Suitable for switches	Type	Order number	Weight /unit kg
OX30...1600	OXEC21	1SCA147308R1001	0.18

04

Terminal connection kits

Factory recommended: terminal connection kits with bolts, washers and nuts used for connecting the cables/bus bars to the switch terminals.

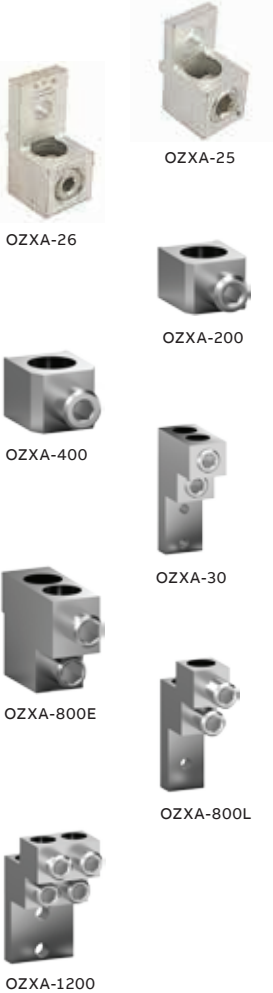
For IEC 200-800 Amps, UL 30-600 Amps, order 1 x kit with 2-pole switches and 2 x kits with 3- and 4-pole switches.

For IEC 1000-1600 Amps, UL 800-1200 Amps, order 3 x kits with 3-pole switches and 4 x kits with 4-pole switches

Suitable for switches	Screws /type [pcs]	Type	Order number	Weight /unit kg
IEC 200-250 Amps UL 30-200 Amps	6	OZXE51/3E	1SCA126307R1001	0.17
IEC 315-800 Amps UL 260-600 Amps	6	OZXE54/3E	1SCA126309R1001	0.32
IEC 1000-1600 Amps UL 800-1200 Amps	6	OZXE3/3E	1SCA126305R1001	0.62

Accessories

Automatic transfer switches



UL terminal lugs, mechanical

Type	Cable range	No. cables per lug	Kit part numbers			
			2 pieces	3 pieces	4 pieces	6 pieces
OZXA-100	14 - 2/0 AWG	1		OZXA-100/3P	OZXA-100/4P	OZXA-100
OZXA-24	14 - 2/0 AWG	1	OZXA-24/2P	OZXA-24/3P	OZXA-24/4P	OZXA-24
OZXA-200	4 AWG - 300 kcmil	1		OZXA-200/3	OZXA-200/4	OZXA-200
OZXA-250X	6 AWG - 300 kcmil	1	OZXA-250X/2P	OZXA-250X/3P	OZXA-250X/4P	OZXA-250X
OZXA-400	2 AWG - 600 kcmil	1		OZXA-400/3	OZXA-400/4	OZXA-400
OZXA-26	2 AWG - 600 kcmil	1	OZXA-26/2P	OZXA-26/3P	OZXA-26/4P	OZXA-26
OZXA-800E	2 AWG - 600 kcmil	2		OZXA-800E/3P	OZXA-800E/4P	OZXA-800E
OZXA-800L	2 AWG - 600 kcmil	2	OZXA-800L/2	OZXA-800L/3	OZXA-800L/4	OZXA-800L
OZXA-30	2 AWG - 600 kcmil	2		OZXA-30/3P	OZXA-30/4P	OZXA-30
OZXA-1200	2 AWG - 600 kcmil	4		OZXA-1200/3	OZXA-1200/4	OZXA-1200

Notes: OZXA-26 copper cable only.

How to select mechanical terminal lugs

Suitable for UL switches	No. of poles	Lug kit application		
		Source S2	Load	Source S1
OX30...200	2		OZXA-200/4 ¹⁾	OZXA-250X/2P
OX260...400	2		OZXA-400/4 ¹⁾	OZXA-26/2P
OX600	2		OZXA-800E/4P ¹⁾	OZXA-800L/2
OX30...200	3		OZXA-200 ¹⁾	OZXA-250X/3P
OX260...400	3		OZXA-400 ¹⁾	OZXA-26/3P
OX600	3		OZXA-800E ¹⁾	OZXA-800L/3
OX800	3		OZXA-800E ¹⁾	OZXA-30/3P
OX1000...1200	3	OZXA-800E ²⁾		OZXA-1200 ³⁾
OX30...200	4	OZXA-200/4	OZXA-200/4	OZXA-250X/4P
OX260...400	4	OZXA-400/4	OZXA-400/4	OZXA-26/4P
OX600	4	OZXA-800E/4P	OZXA-800E/4P	OZXA-800L/4
OX800	4	OZXA-800E/4P	OZXA-800E/4P	OZXA-30/4P
OX1000...1200	4	2 x OZXA-800E/4P ²⁾	OZXA-1200/4	OZXA-1200/4

Notes:

¹⁾ One complete kit contains enough pieces for both Source S2 and Load terminals

²⁾ Apply 2 pieces to Source S2 terminal of each pole

³⁾ One complete kit contains enough pieces for both Load and Source S1 terminals

Accessories

Automatic transfer switches

Auxiliary contacts

Mounting on the right side of the switch: Max. 4 auxiliary contact blocks / Source 1 and Source 2 position indication (totally 8 blocks). Types _AU have gold plated contacts for harsh environments and low operating voltages. Simultaneous action with the main contacts, IP20. The type and ordering numbers are for one piece.



OA1G01AU

Suitable for switches	Contact functions	Installation side	Delivery batch [pcs]	Type	Order number	Weight /unit kg
OX30...1600	1NO	Right	10	OA1G10	1SCA022353R4970	0.03
OX30...1600	1NC	Right	10	OA3G01	1SCA022456R7410	0.03
OX30...1600	1NO	Right	10	OA1G10AU	1SCA022436R7910	0.03
OX30...1600	1NC	Right	10	OA3G01AU	1SCA022819R5260	0.03



OA1G10

Auxiliary contacts

Technical data for auxiliary contacts according to IEC 60947-5-1, for OA1G_, OA3G_

AC15		DC12			DC13	
Ue/[V]	Ie/[A]	Ue/[V]	Ie/[A]	P/[W]	Ie/[A]	P/[W]
230	6	24	10	240	2	50
400	4	72	4	290	0.8	60
415	4	125	2	250	0.55	70
690	2	250	0.55	140	0.27	70
		440	0.1	44		



OA3G01

Auxiliary contacts

Function table for auxiliary contacts / Source 1 position (max. 2+2)

Switch position	Main contacts	OA1G10 NO	OA3G01 NC
I	closed	closed	open
0	open	open	closed
II	closed	open	closed



OA3G01AU

Function table for auxiliary contacts / Source 2 position (max. 2+2)

Switch position	Main contacts	OA1G10 NO	OA3G01 NC
I	closed	open	closed
0	open	open	closed
II	closed	closed	open



Technical data

52–53 **Technical data IEC**

54–55 **Technical data UL**

Technical data - IEC

TruONE ATS OX200...1600E

Automatic transfer switches

Data according to IEC 60947-6-1 (Class PC equipment)				Switch size				
				OX200	OX250	OX315	OX400	OX500
Rated operational voltage, U	Vac	200 - 415						
Operating voltage range, U	Vac	160 - 576						
Rated insulation voltage, Ui (power circuit)	V	1 000						
Rated insulation voltage, Ui (electronics)	V	500						
Rated frequency, f	Hz	50 - 60						
Rated impulse withstand voltage, Uimp (power circuit)	kV	8		12				
Rated impulse withstand voltage, Uimp (electronics)	kV	6						
Conventional free air thermal current, Ith / ambient 40°C	A	200	250	315	400	500		
Conventional enclosed thermal current, Ithe / ambient 40°C	A	200	250	315	400	500		
Minimum enclosure size or equivalent volume	W x H x D mm	600 x 800 x 300						
Rated operational current, AC-31B	up to 415 V A	200	250	315	400	500		
Rated operational current, AC-32B	up to 415 V A	200	250	315	400	500 ¹⁾		
Rated operational current, AC-33B	up to 415 V A	200	250	315	400	500 ¹⁾		
Rated breaking capacity in category AC-33	up to 415 V A	2000	2500	3150	4000	5000 ¹⁾		
Rated conditional short-circuit current Iq (r.m.s.) and cut-off current \hat{i}_c (peak) value.	Iq (r.m.s.) 100 kA, 500 V \hat{i}_c (peak) Max. OFA_fuse size gG/aM	kA	49	49	69	69	90	
The cut-off current \hat{i}_c refers to values listed by fuse manufacturers (single phase test acc. to IEC60269).	Iq (r.m.s.) 50 kA, 500 V ABB circuit breaker type	A/A	400/400	400/400	630/630	630/630	1000/1000	
Rated short-time withstand current	I _{cw} (r.m.s.) 415 V 0.1s	kA	18	18	25	25	42	
	I _{cw} (r.m.s.) 415 V 0.3s	kA	18	18	25	25	30	
	I _{cw} (r.m.s.) 415 V 0.5s	kA					30	
Rated short-time making capacity ²⁾	I _{cm} peak 415 V	kA	36	36	52.5	52.5	89	
Contact transfer time I-II, II-I	Load interrupting time	ms	<50					
Operating transfer time I-II, II-I		ms	<500					
ATS current draw during transfer / time duration	A / ms		35 / <110				40 / <130	
Mechanical endurance	No. of operating cycles ³⁾		6012	6012	4012	4012	3012	
Overvoltage category			III					
Pollution degree (control circuit)			PD 3 up to 415 V / PD 2 up to 500 V					
Environment category			E					
Minimum conductor cross section	Cu	mm ²	95	120	185	240	2x150	
Terminal bolt size	Metric thread diameter x length	mm	M8 x 25	M8 x 25	M10 x 30	M10 x 30	M12 x 40	
Terminal tightening torque	Counter torque required	Nm	15...22	15...22	30...44	30...44	50...75	
Weight without accessories	2-pole switch	kg	12.4	12.4	13.3	13.3	16.9	
	3-pole switch	kg	14	14	15.4	15.4	19.1	
	4-pole switch	kg	15.6	15.6	17.5	17.5	21.4	
Suitable for applications			Transformer - Transformer, Transformer - Generator⁴⁾					

¹⁾ OX_B bottom entry versions only

²⁾ Short circuit duration > 50ms, without fuse protection

³⁾ Operating cycle: O - I - O - II - O

⁴⁾ Minimum generator size: 40kVA

Technical data - IEC

TruONE ATS OX200...1600E

Automatic transfer switches

			Switch size					
Data according to IEC 60947-6-1 (Class PC equipment)			OX630	OX800	OX1000	OX1250	OX1600	
Rated operational voltage, U	Vac		200 - 415					
Operating voltage range, U	Vac		160 - 576					
Rated insulation voltage, Ui (power circuit)	V		1 000					
Rated insulation voltage, Ui (electronics)	V		500					
Rated frequency, f	Hz		50 - 60					
Rated impulse withstand voltage, Uimp (power circuit)	kV		12					
Rated impulse withstand voltage, Uimp (electronics)	kV		6					
Conventional free air thermal current, I _{th} / ambient 40°C	A		630	800	1000	1250	1600	
Conventional enclosed thermal current, I _{the} / ambient 40°C	A		630	800	1000	1250	1250	
Minimum enclosure size or equivalent volume	W x H x D	mm	600 x 800 x 300		800 x 1000 x 300			
Rated operational current, AC-31B	up to 415 V	A	630	800	1000	1250	1600	
Rated operational current, AC-32B	up to 415 V	A	630 ¹⁾	800 ¹⁾	1000 ¹⁾	1250 ¹⁾	1500 ¹⁾	
Rated operational current, AC-33B	up to 415 V	A	630 ¹⁾	800 ¹⁾	1000 ¹⁾	1250 ¹⁾	1250 ¹⁾	
Rated breaking capacity in category AC-33	up to 415 V	A	6300 ¹⁾	8000 ¹⁾	10000 ¹⁾	12500 ¹⁾	12500 ¹⁾	
Rated conditional short-circuit current I _q (r.m.s.) and cut-off current \hat{i}_c (peak) value.	I _q (r.m.s.) 100 kA, 500 V \hat{i}_c (peak)	kA	90	90	95	95	95	
The cut-off current \hat{i}_c refers to values listed by fuse manufacturers (single phase test acc. to IEC60269).	Max. OFA_fuse size	gG/aM	A/A	1000/1000	1000/1000	1600/1 250	1600/1 250	1600/1 250
	I _q (r.m.s.) 50 kA, 500 V							
	ABB circuit breaker type		T6L1000	T6L1000				
	I _q (r.m.s.) 85 kA, 500 V							
	ABB circuit breaker type				T7L1600	T7L1600	T7L1600	
Rated short-time withstand current	I _{cw} (r.m.s.)	415 V 0.1s	kA	42	42	65	65	65
	I _{cw} (r.m.s.)	415 V 0.3s	kA	30	30	50	50	50
	I _{cw} (r.m.s.)	415 V 0.5s	kA	30	30	50	50	50
Rated short-time making capacity ²⁾	I _{cm} peak	415 V	kA	89	89	105	105	105
Contact transfer time I-II, II-I	Load interrupting time		ms	<50				
Operating transfer time I-II, II-I			ms	<500				
ATS current draw during transfer / time duration			A/ms	40 / <130				
Mechanical endurance	No. of operating cycles ³⁾			3012	3012	3012	3012	3012
Overvoltage category				III				
Pollution degree (control circuit)				PD 3 up to 415 V / PD 2 up to 500 V				
Environment category				E				
Minimum conductor cross section	Cu	mm ²		2 x 185	2 x 240	3x185	3x240	4x240
Terminal bolt size	Metric thread diameter x length	mm		M12 x 40	M12 x 40	M12 x 40	M12 x 40	M12 x 40
Terminal tightening torque	Counter torque required	Nm		50...75	50...75	50...75	50...75	50...75
Weight without accessories	2-pole switch	kg		16.9	16.9			
	3-pole switch	kg		19.1	19.1	31.1	31.1	31.1
	4-pole switch	kg		21.4	21.4	37.1	37.1	37.1
Suitable for applications	Transformer - Transformer, Transformer - Generator⁴⁾							

¹⁾ OX_B bottom entry versions only

²⁾ Short circuit duration > 50ms, without fuse protection

³⁾ Operating cycle: O - I - O - II - O

⁴⁾ Minimum generator size: 40kVA

Technical data - UL

TruONE ATS OX30...1200U

Automatic transfer switches

		Switch size					
		OX30	OX60	OX100	OX125	OX160	OX200
Data according to UL1008							
Rated operational voltage	Vac	200 - 480					
Operating voltage range	Vac	160 - 576					
Rated frequency	Hz	50-60					
Emergency systems - Motor loads or total system	A	30	60	100	125	160	200
Optional standby systems - Motor loads or total system	A	30	60	100	125	160	200
Minimum enclosure size or equivalent volume W x H x D	mm	600 x 800 x 300					
Short-circuit withstand/closing and short-time current ratings	kA	See table A					
Contact transfer time I-II, II-I	Load interrupting time	ms					
		<50					
Operating transfer time I-II, II-I		ms					
		<500					
ATS current draw during transfer / time duration	A / ms	35 / <110					
Mechanical endurance	No. of operating cycles	6050	6050	6050	6050	6050	6050
Weight without accessories	2-pole switch	kg	12.4	12.4	12.4	12.4	12.4
	3-pole switch	kg	14	14	14	14	14
	4-pole switch	kg	15.6	15.6	15.6	15.6	15.6
Suitable for applications		Transformer - Transformer, Transformer - Generator ¹⁾					
Data according to IEC60947-6-1							
Rated operational current, AC-31B	up to 415 V A						250
Rated operational current, AC-32B	up to 415 V A						250
Rated operational current, AC-33B	up to 415 V A						250
Rated breaking capacity in category AC-33	up to 415 V A						2500
Rated conditional short-circuit current I _q (r.m.s.) and cut-off current I _c (peak) value.	I _q (r.m.s.) 100 kA, 500 V I _c (peak) kA						49
	Max. OFA_ fuse size gG/aM A/A						400 / 400
The cut-off current I _c refers to values listed by fuse manufacturers (single phase test acc. to IEC60269).	I _q (r.m.s.) 50 kA, 500 V						
	ABB circuit breaker type						T5L630
Rated short-time withstand current	I _{sw} (r.m.s.) 415 V 0.1s kA						18
	I _{sw} (r.m.s.) 415 V 0.3s kA						18
	I _{sw} (r.m.s.) 415 V 0.5s kA						
Rated short-time making capacity ²⁾	I _{cm peak} 415 V kA						36

¹⁾ Minimum generator size: 40kVA

²⁾ OX_B bottom entry versions only

³⁾ Short circuit duration > 50ms, without fuse protection

Technical data - UL

TruONE ATS OX30...1200U

Automatic transfer switches

		Switch size					
		OX260	OX400	OX600	OX800	OX1000	OX1200
Data according to UL1008							
Rated operational voltage	Vac	200 - 480					
Operating voltage range	Vac	160 - 576					
Rated frequency	Hz	50-60					
Emergency systems - Motor loads or total system	A	260	400	600	800	1000	1200
Optional standby systems - Motor loads or total system	A	260	400	600	800	1000	1200
Minimum enclosure size or equivalent volume W x H x D	mm	600 x 800 x 300			800 x 1000 x 300		
Short-circuit withstand/closing and short-time current ratings	kA	See table A					
Contact transfer time I-II, II-I	Load interrupting time	ms					
		<50					
Operating transfer time I-II, II-I		ms					
		<500					
ATS current draw during transfer / time duration	A / ms	35 / <110			40 / <130		
Mechanical endurance	No. of operating cycles	6050	4050	3050	3050	3050	3050
Weight without accessories	2-pole switch	kg	13.3	16.9	16.9		
	3-pole switch	kg	15.4	19.1	19.1	31.1	31.1
	4-pole switch	kg	17.5	21.4	21.4	37.1	37.1
Suitable for applications		Transformer - Transformer, Transformer - Generator ¹⁾					
Data according to IEC60947-6-1							
Rated operational current, AC-31B	up to 415 V A	400	400	800	1600		
Rated operational current, AC-32B	up to 415 V A	400	400	800 ²⁾	1500 ²⁾		
Rated operational current, AC-33B	up to 415 V A	400	400	800 ²⁾	1250 ²⁾		
Rated breaking capacity in category AC-33	up to 415 V A	4000	4000	8000 ²⁾	12500 ²⁾		
Rated conditional short-circuit current I _q (r.m.s.) and cut-off current I _c (peak) value.	I _q (r.m.s.) 100 kA, 500 V I _c (peak) kA	69	76	90	95		
	Max. OFA_ fuse size gG/aM A/A	630/630	800/800	1000/1000	1600/1250		
The cut-off current I _c refers to values listed by fuse manufacturers (single phase test acc. to IEC60269).	I _q (r.m.s.) 50 kA, 500 V						
	ABB circuit breaker type	T6L630	T6L630	T6L1000			
	I _q (r.m.s.) 85 kA, 500 V						
	ABB circuit breaker type				T7L1600		
Rated short-time withstand current	I _{cw} (r.m.s.) 415 V 0.1s kA	25	30	42	65		
	I _{cw} (r.m.s.) 415 V 0.3s kA	25	30	30	50		
	I _{cw} (r.m.s.) 415 V 0.5s kA			30	50		
Rated short-time making capacity ²⁾	I _{cm} peak 415 V kA	52.5	89	89	105		

¹⁾ Minimum generator size: 40kVA

²⁾ OX_B bottom entry versions only

³⁾ Short circuit duration > 50ms, without fuse protection

Table A: UL1008 Short-circuit withstand/closing and short-time current ratings

Switch rating (A)	UL short-time rating (STR) & time (s)	Time based WCR rating (A) & Time ¹⁾ (s)	Maximum voltage (V)	Maximum coordinated breaker rating (A)	Breaker mfg	Max breaker size (A)	Breaker type	Current limiting fuse rating (A)	Max fuse size (A)
30 60 100 125 160 200	18,000 0.300 sec	18,000 0.025 sec	480	50,000	ABB	125 250 250	XT2H125 T4H250 XT4H250	200,000 Class J	200
260	25,000 0.300 sec	25,000 0.050 sec	480	50,000	ABB	600	T5H600	200,000 Class J	400
400	30,000 0.250 sec	30,000 0.050 sec	480	50,000	ABB	600	T5H600	200,000 Class J	600
600	42,000 0.100 sec 30,000 0.500 sec	42,000 0.050 sec	480	50,000	ABB	800	T6S800	200,000 Class L	800
800 1000 1200	65,000 0.100 sec 50,000 0.500 sec	65,000 0.050 sec	480	85,000	ABB	1200	T7L1200	200,000 Class L	1200

¹⁾ Time based ratings are also known as any breaker ratings



Dimension drawings

58	UL: 30U, 60U, 100U, 125U, 160U, 200U IEC: 200E, 250E
-----------	---

59	UL: 260U IEC: 315E, 400E
-----------	-----------------------------

60	UL: 400U
-----------	----------

61	UL: 600U IEC: 500E, 630E, 800E
-----------	-----------------------------------

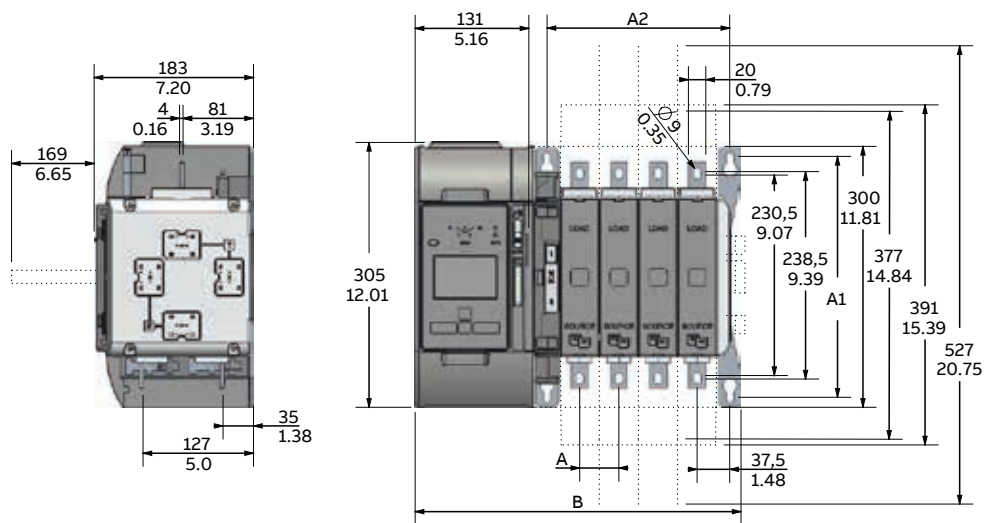
62	UL: 800U, 1000U, 1200U IEC: 1000E, 1250E, 1600E
-----------	--

Dimension drawings

Automatic transfer switches

UL: 30U, 60U, 100U, 125U, 160U, 200U

IEC: 200E, 250E



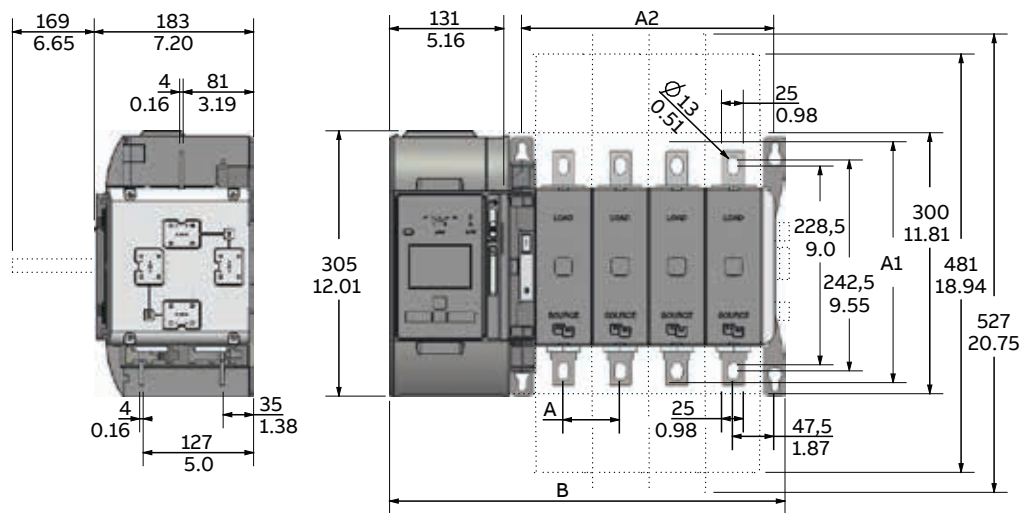
OX_30-250			
No. of poles	2	3	4
A	45/1.77	45/1.77	45/1.77
A1	277/10.91	277/10.91	277/10.91
A2	120/4.72	165/6.50	210/8.27
B	285/11.22	330/12.99	375/14.76

Dimension drawings

Automatic transfer switches

UL: 260U

IEC: 315E, 400E

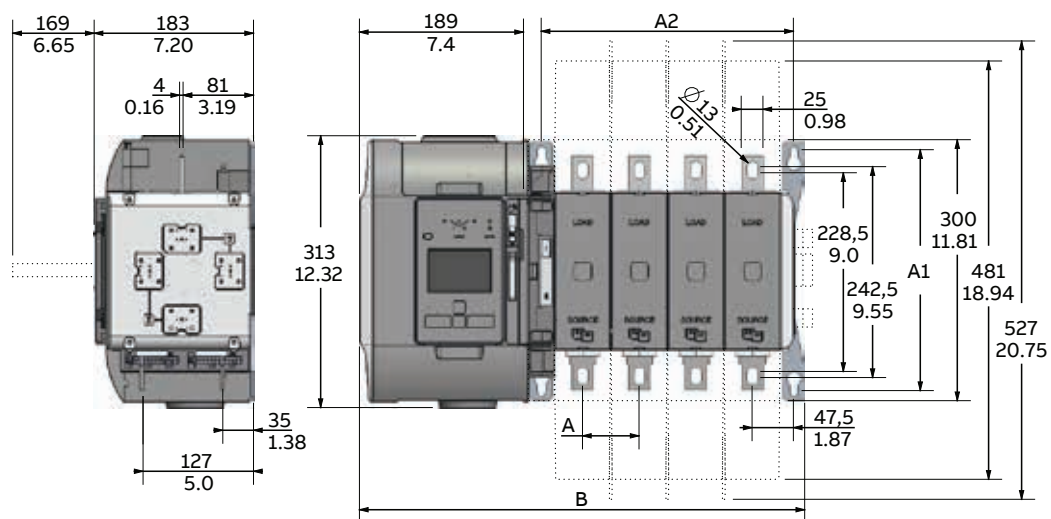


OX_260_400			
No. of poles	2	3	4
A	65/2.56	65/2.56	65/2.56
A1	277/10.91	277/10.91	277/10.91
A2	160/6.30	225/8.86	290/11.42
B	325/12.80	390/15.35	455/17.91

Dimension drawings

Automatic transfer switches

UL: 400U



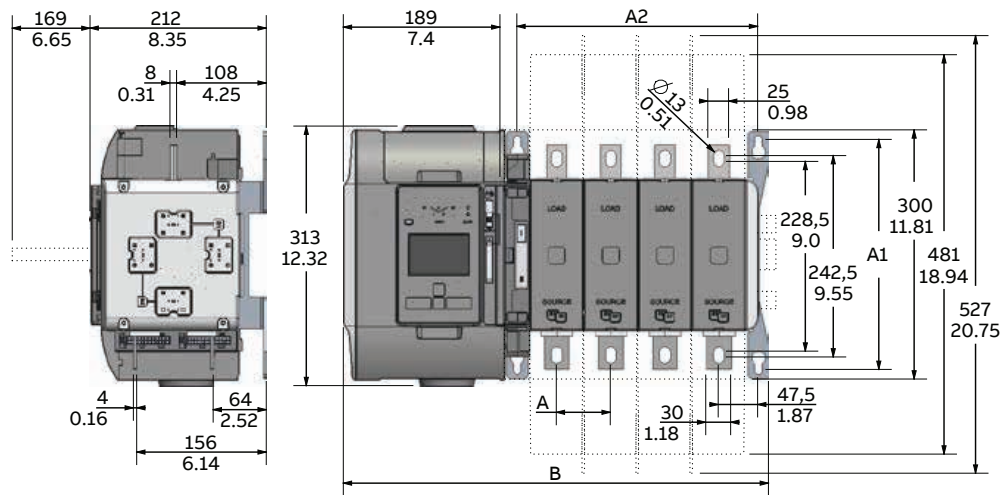
UL: 400U			
No. of poles	2	3	4
A	65/2.56	65/2.56	65/2.56
A1	277/10.91	277/10.91	277/10.91
A2	160/6.30	225/8.86	290/11.42
B	382/15.04	447/17.60	512/20.16

Dimension drawings

Automatic transfer switches

UL: 600U

IEC: 500E, 630E, 800E



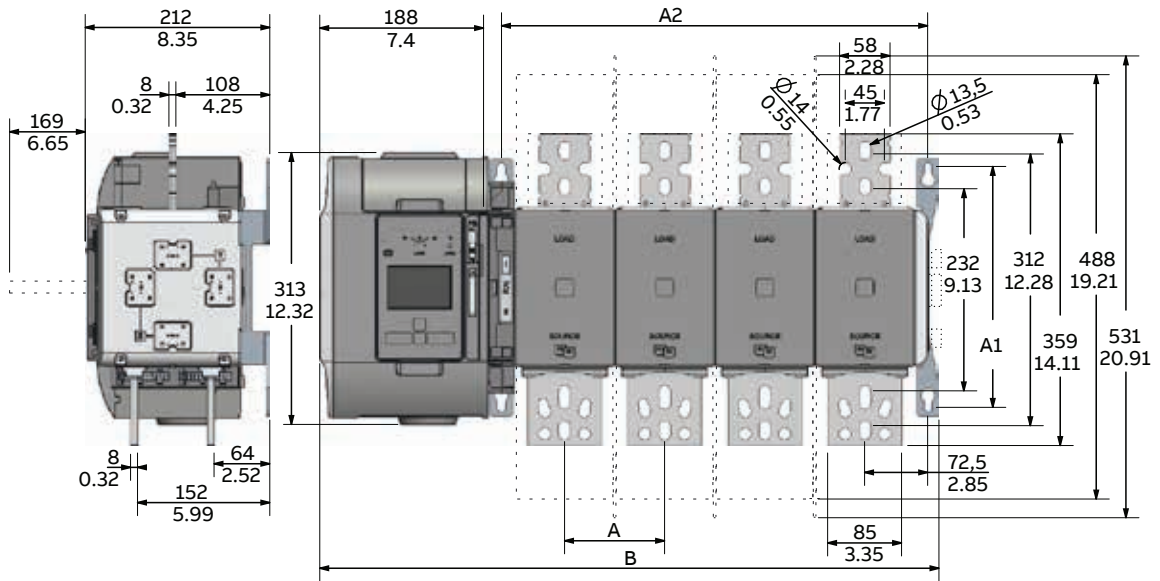
OX_500-800_			
No. of poles	2	3	4
A	65/2.56	65/2.56	65/2.56
A1	277/10.91	277/10.91	277/10.91
A2	160/6.30	225/8.86	290/11.42
B	382/15.04	447/17.60	512/20.16

Dimension drawings

Automatic transfer switches

UL: 800U, 1000U, 1200U

IEC: 1000E, 1250E, 1600E



OX_800U-1600		
No. of poles	3	4
A	115/4.53	115/4.53
A1	277/10.91	277/10.91
A2	375/14.77	490/19.30
B	597/23.51	712/28.04



—
abb.com/truone

1SCC303008C0201 REV A 07.2018