
Weatherproof Switches and Socket Outlets



Weatherproof Switched Isolator IP66



Range features:

- Degree of protection IP66 prevents dust and powerful water jets
- Complies to outdoor applications
- Enclosure made of high quality PC materials and high temperature insulation
- Resistance to Ultra Violet (UV) radiation and anti-corrosion

Isolator:

- High reliability with 4500 A rated short-circuit making capacity for isolators
- Complete accessories for easy installation

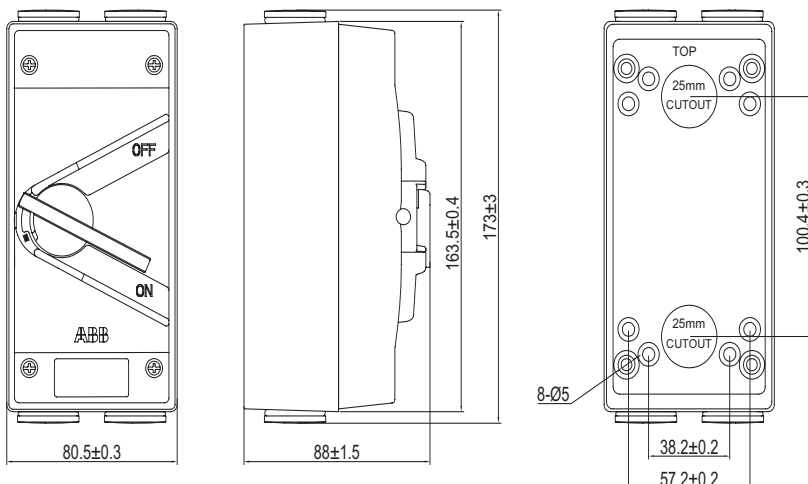
Technical Specification

Standard Specifications	IEC 60947-3 (Third Edition) + A1:2012 + A2:2015
Number of poles	2P & 4P
Rated operational current	20 A, 32 A, 45 A, 63 A
Rated operational voltage	240 V/440 V
Rated insulation voltage	630 V
Rated impulse withstand voltage	2.5 KV 1.2/50 μ s
Rated frequency	50/60 Hz
Rated utilization	AC-23 A
Rated making capacity	3 Ie
Rated breaking capacity	3 Ie
Rated short-time withstand current	15 Ie for 1 s
Rated short-circuit making capacity	4500 A
Pollution degree	3
Degree of protection	IP66

Ordering details

Stock code	Type	Description
2TCZ751006R0001	WSD220CL	20 A 2P Switch-Isolator
2TCZ751006R0002	WSD232CL	32 A 2P Switch-Isolator
2TCZ751006R0003	WSD245CL	45 A 2P Switch-Isolator
2TCZ751006R0004	WSD263CL	63 A 2P Switch-Isolator
2TCZ751006R0005	WSD420CL	20 A 4P Switch-Isolator
2TCZ751006R0006	WSD432CL	32 A 4P Switch-Isolator
2TCZ751006R0007	WSD445CL	45 A 4P Switch-Isolator
2TCZ751006R0008	WSD463CL	63 A 4P Switch-Isolator

Dimensions



Weatherproof switches IP66



1 gang switch



2 gang switch

Weatherproof switches:

- UV stabilized Polycarbonate
- Easy to grip toggles even when operating with bulky gloves
- IP66 protection rating

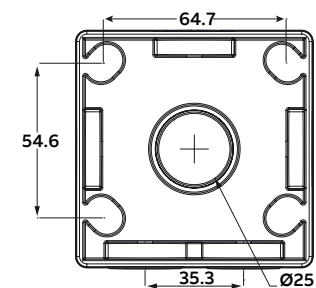
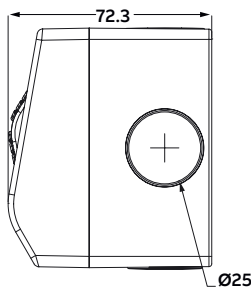
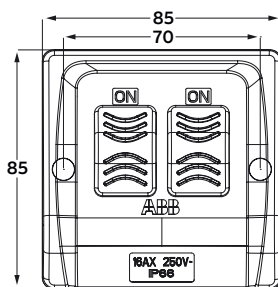
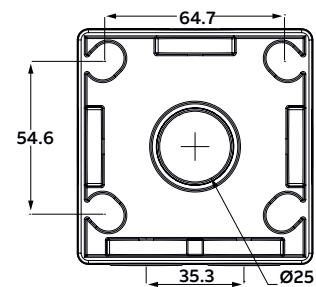
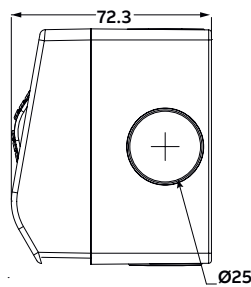
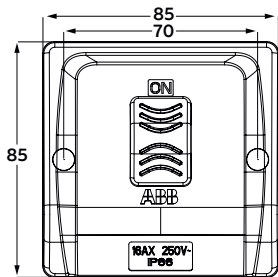
Technical Specification

Standard specifications	AS/NZS 3133:2013
	AS/NZS 3100:2009
Rated voltage	250 V AC
Rated current	16 AX
Degree of protection	IP66

Ordering details

Stock code	Type	Description
GJF6110717R0100	WSW211	Weatherproof 16AX 1G 2W SW
GJF6110817R0100	WSW221	Weatherproof 16AX 2G 2W SW

Dimensions



Weatherproof Switches IP66



Weatherproof Switches:

- UV stabilized Polycarbonate
- Easy to grip toggles even when operating with bulky gloves
- IP66 protection rating

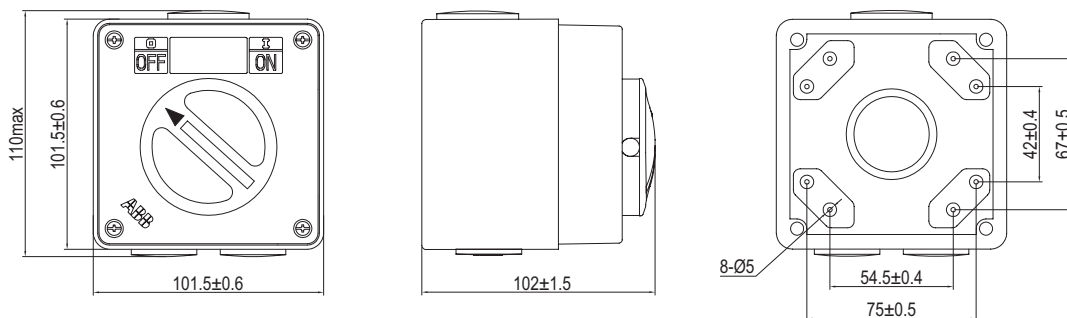
Technical Specification

Standard Specifications	IEC 60669
Rated voltage	250 V AC, 50 Hz
Rated current	10 AX, 20 AX
Degree of protection	IP66
Padlock	At "ON" & "OFF" position
Installation and connection	Conduit entry through M25 thread entries on top and bottom

Ordering details

Stock code	Type	Description
2TCZ751003R0030	WSW101CL	Weatherproof 10 AX 1W SW
2TCZ751004R0030	WSW102CL	Weatherproof 10 AX 2W SW
2TCZ751005R0070	WSW114CL	Weatherproof 20 AX 2P SW

Dimensions



Weatherproof Socket Outlets IP66



Socket Outlet:

- Modular socket design to accommodate vertical and horizontal installations
- Good elasticity and long lifespan as phosphor bronze integrated design for internal parts
- Sockets with safety shutter protection

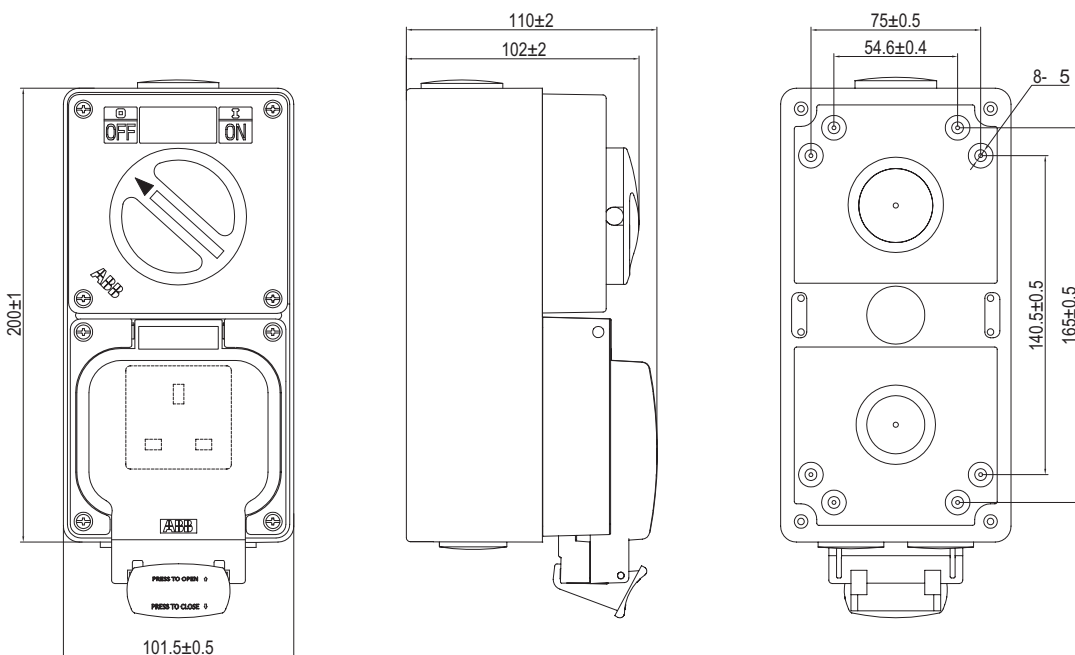
Technical Specification

Standard Specifications	IEC 60669-1 + A1:1999 + A2:2006 BS1363-2, BS546, MS589, IEC 60529
Rated operational current	10 AX, 20 AX, 13 A, 15 A
Rated operational voltage	250 V~
Rated frequency	50/60 Hz
Degree of protection	IP66

Ordering details

Stock code	Type	Description
2TCZ752001R0040	WSO123CL	Weatherproof 13 A UN-SW Socket Outlet
2TCZ752002R0040	WSO113CL	Weatherproof 13 A SW Socket Outlet
2TCZ752003R0050	WSO215CL	Weatherproof 15 A SW Socket Outlet

Dimensions



Weatherproof Cover IP66



- Complies to outdoor applications
- Enclosure made of high quality PC material, glossy finish
- Resistance to UV radiation and anti-corrosion

Technical Specification

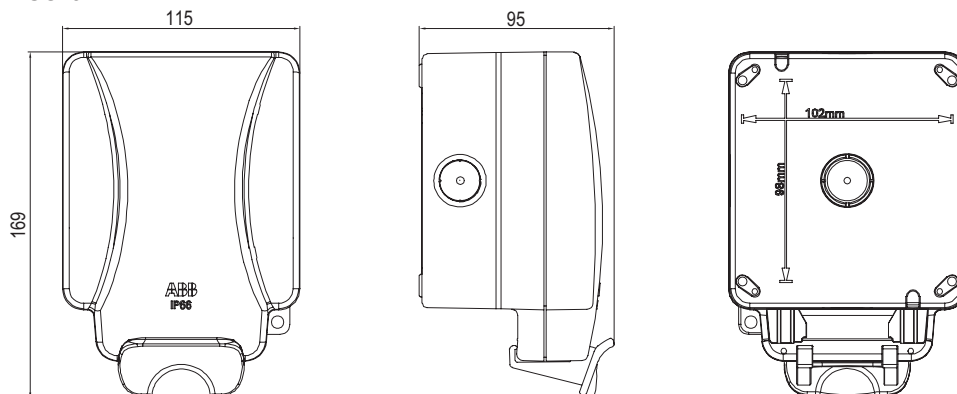
Standard Specifications	IEC60670, IEC60529
Degree of protection	IP66
Self-holding	Yes
Padlock	Yes
Installation	Surface-mounted

Ordering details

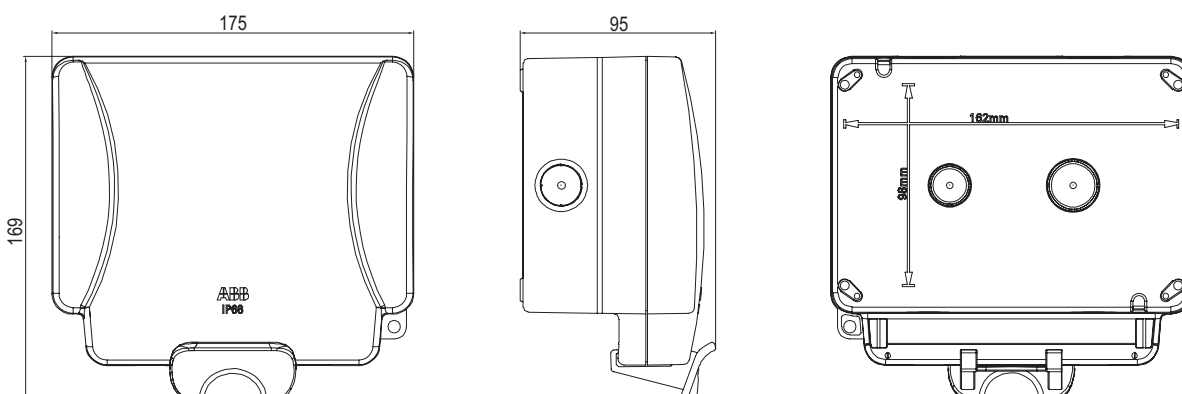
Stock code	Type	Description
2TCZ755003R0010	WSC102	1G WEATHERPROOF COVER IP66
2TCZ755004R0010	WSC202	2G WEATHERPROOF COVER IP66

Dimensions

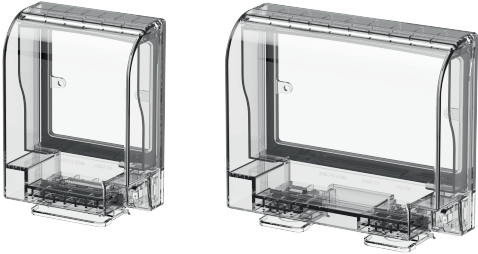
WSC102



WSC202



Weatherproof Cover IP55



- UV stabilized Polycarbonate
- Transparent, impact resistant cover
- Soft pad to fill voids on uneven surface

Technical Specification

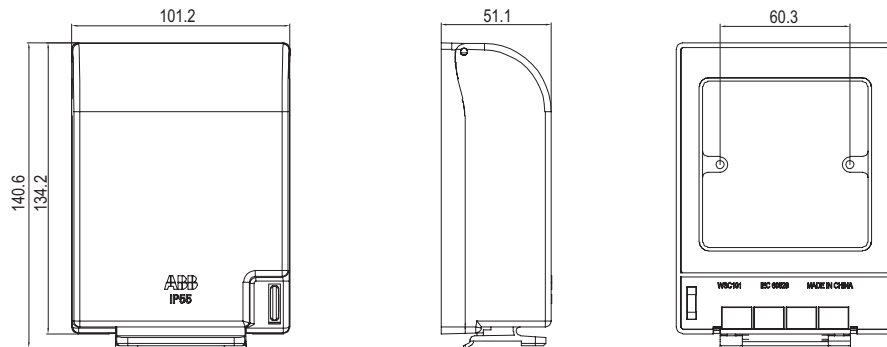
Standard Specifications	IEC60670, IEC60529
Degree of protection	IP55
Self-holding	Yes
Padlock	Yes
Installation	Surface-mounted

Ordering details

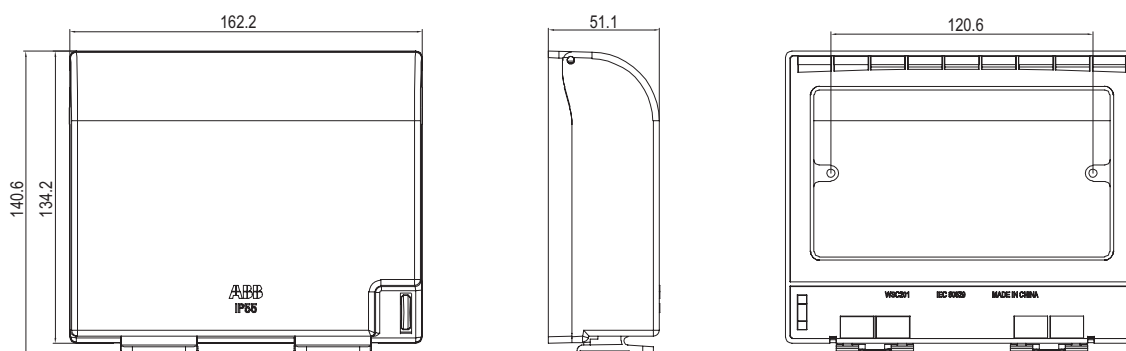
Stock code	Type	Description
2TCZ755001R0010	WSC101	1G WEATHERPROOF COVER IP55
2TCZ755002R0010	WSC201	2G WEATHERPROOF COVER IP55

Dimensions

WSC101



WSC201





UAE**ABB Industries LLC**

Al Quoz Industrial Area 3
4th Interchange, St. No: 4 Dubai
Phone: 0097 1 (4) 3147500

Saudi Arabia**ABB Electrical Industries Co. Ltd.**

Al Ahsa Street, Malaz 11371, Riyadh
Phone: 00966 11 4845600

Qatar**ABB LLC**

Al Asmakh Tower, 15th floor
864 Hazm Zraig St., Bldg No. 49
Zone 63, Onaiza District, West Bay
PO BOX 8688
Phone: +974 4425 3888

Kuwait**ABB Engineering Technologies Co.
(KSCC)**

Alghunaim Commercial Twr, 2nd Flr, Al-
Qibla Area
P.O.Box 4275, Safat-13043,
Abu Baker Al-Sadique Street
Phone: +965 2428626

Bahrain**ABB Technologies W.L.L.**

Gulf Executive Offices, 12/Flr. Office 1023
Entrance 15, Road 3801, AlGudaibiya 338
Phone: +973 17810659

Oman**ABB LLC**

218, Hatat House, P. O. Box 778,
131 Al Hamriya Muscat
Phone: 00968 24 567 410

Jordan**ABB Ltd.**

Wasfi Altal Street - Building 356 - Khalda
P.O Box 926098 Amman 11190
Phone: +962 (6) 5507733

Pakistan**ABB Power & Automation (Pvt) Ltd.**

P.E.C. Building, 97-A/D-1,
Liberty Market, Gulberg-III,
P.O. 2353, Lahore-54660, Pakistan
Phone: +92-42-32560740

Nigeria**ABBNG Limited**

Plot 8C Metalbox road, off Acme
road Ogba, Ikeja, Lagos, Nigeria
Phone: +234907 000 0176

Sri Lanka**ABB India Limited**

Level 35, West Tower, World Trade Center
Colombo 00100, Sri Lanka
Phone: +94 77 789 6445

Bangladesh

ABB Limited, The Glass House,
38 Gulshan Avenue (12th Floor)
Dhaka -1212
Phone: +88 02 98 56468 / 53412

Singapore**ABB Pte. Ltd.**

2, Ayer Rajah Crescent
SGP - 139935
Phone: +65 6 776 5711

Malaysia**ABB Malaysia Sdn Bhd**

Lot 608, Jalan Lagoon Selatan,
47500 Subang Jaya, Selangor.
Phone: +603 5628 4888

Vietnam**ABB Automation and Electrification
(Vietnam) Company Ltd**

12th Floor, REE tower, 9 Doan Van Bo
street,
12th ward, 4 District, Ho Chi Minh City
Phone: +8428 3943 1488

Hong Kong**ABB (Hong Kong) Limited**

Offices E&F, 5/F YHC Tower,
No. 1 Sheung Yuet Road, Kowloon Bay,
Kowloon, Hong Kong
Phone: +852 2929-3912