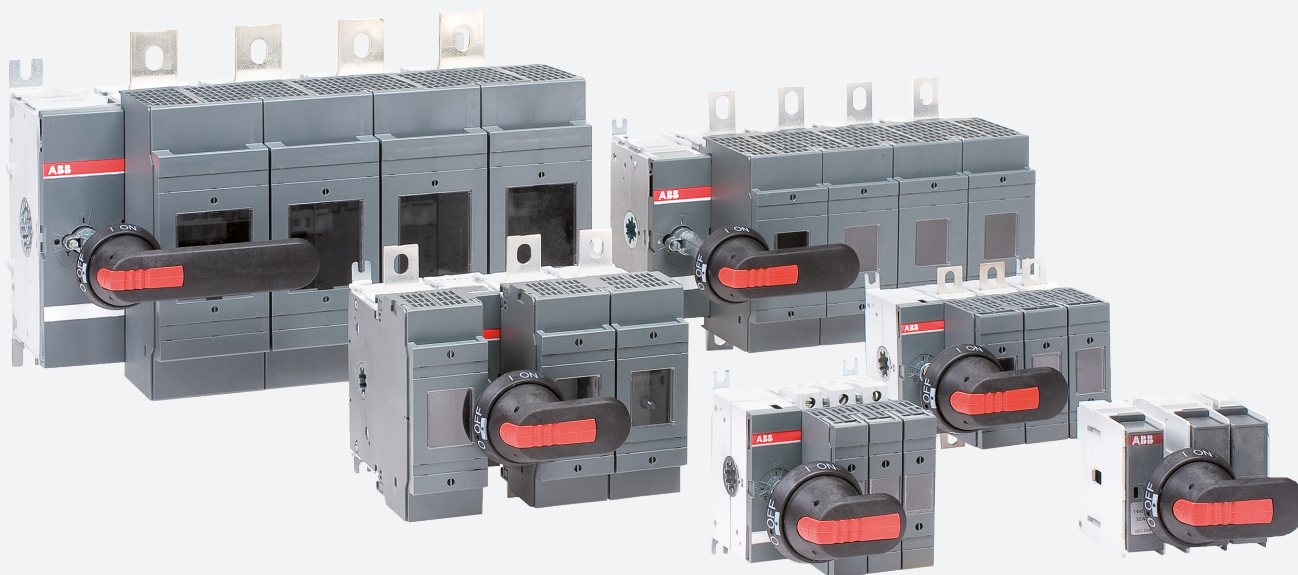


CATALOG

Switch fuses

World class performance in the most demanding applications



- Reliability and performance
- Safe maintenance and operation
- Proven and practical

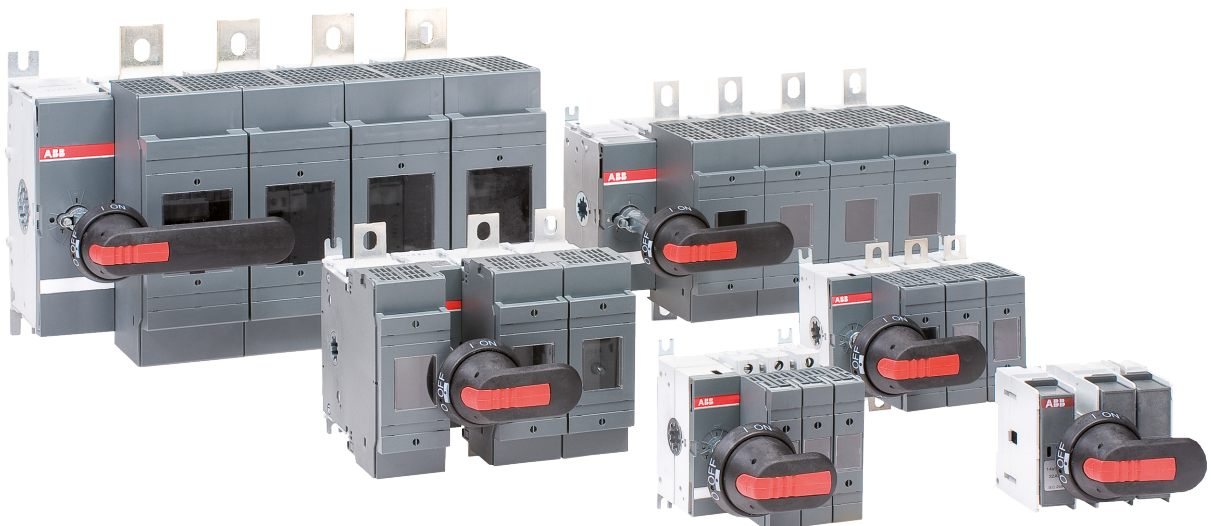
Table of contents

| | |
|---|-----|
| 01. Introduction to switch fuses | 4 |
| 02. Type designation key | 9 |
| 03. Technical data | 13 |
| 04. Ordering information | 25 |
| 05. Dimensional drawings | 117 |

Switch fuses

World class performance in the most demanding applications

OS and OSM switch fuses by ABB have been designed to deliver world-class performance in even the most extreme conditions. Our extensive range of reliable switch fuses, both manual and motorized, is ensured to have your application needs covered.



Reliable in extreme conditions

Reliability and performance

OS switch fuses are the optimal solution for motor protection. They can be installed next to transformers in heavy industry. The contact design combined with the fuse link enables rapid fault clearance and maintains protection level even after a fault occurs. Our motorized switch fuses protect motors from overcurrent and can be operated both remotely and manually.



Safety and protection

Safe maintenance and operation

OS switch fuses are designed for personal safety as well as for reliable process protection. When in the ON position, the interlocked fuse protection covers cannot be removed. When in the OFF position, the fuse link is fully isolated from both ends. Also, the handle is padlockable with three separate padlocks for ensured safety.



Speed up your projects

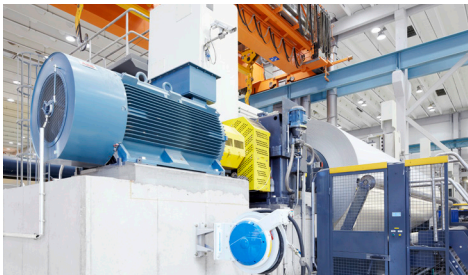
Proven and practical

Test proven type 2 coordination tables for the OS switch fuses are available online 24/7. From there you can easily select the appropriate ABB components for motor starting and protection. These motor starting solutions also help minimize the time needed for sizing all the starter components and ensure reliable operation after a fault occurs.

Switch fuses

World class performance in the most demanding applications

ABB switch fuses deliver superior performance and protection for even the most demanding industrial applications.



OS switch fuses are ideal for demanding applications where continuity of operations is vital even in case of a fault. These devices are used for protection in a wide range of applications. They are often found in power distribution boards and control cabinet in heavy industrial use. They are built to meet installation requirements close to the main transformer.

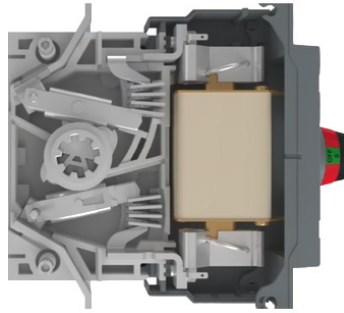
In addition to industrial, business and residential buildings, these switch fuses are regularly used industrial cranes and hoists to isolate and protect the motors. OS switch fuses may also be found protecting stored energy and battery packs from potential short circuits and safely isolate them during maintenance.

Switch fuses

World class performance in the most demanding applications

Designed for extreme conditions

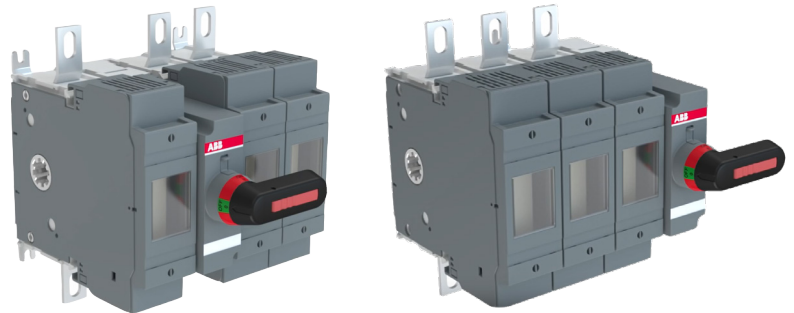
Thanks to the knife contact design, the current flow keeps the contacts pushed firmly together before, during and after a fault without damaging the switch or affecting the performance of the contacts. The contacts are self-cleaning and maintenance free, providing a long, reliable electrical life. In OFF- position, the fuse link is fully isolated from both ends.



Pole structure in OFF- position

Modular design

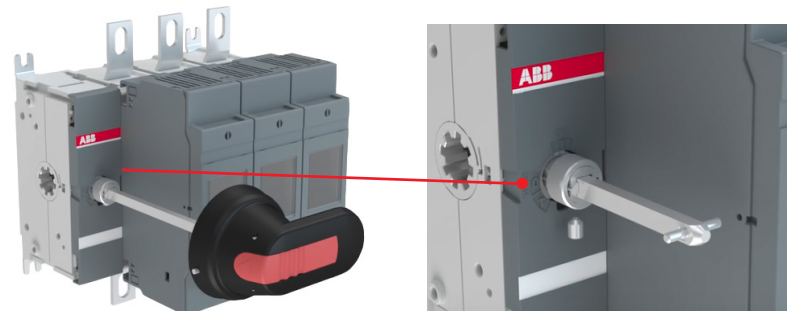
All our switches have been designed for easy and cost-efficient installation, maintenance and use. The modular design enables 2-, 3- and 4-pole installation with different position of the switching mechanism to suit your needs and special requirements.



Modular design

Time saving accessories

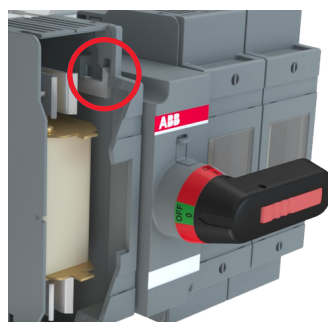
The adjustable shaft (for external handles), mounting feet, along with snap-on auxiliary contacts and terminal shrouds create considerable savings in terms of installation time and costs. For example, the shaft can be adjusted to various installation depths, which eliminates the need for special cutting tools. This decreases handle installation times by up to 50%.



Adjustable shaft

Safety for personnel

The interlocking fuse covers prevent opening while the switch is in "ON" position. The switch fuses have contacts on both sides of the fuse. The fuses are totally isolated in the "OFF" position, reducing the risk of electric shock to authorized personnel.

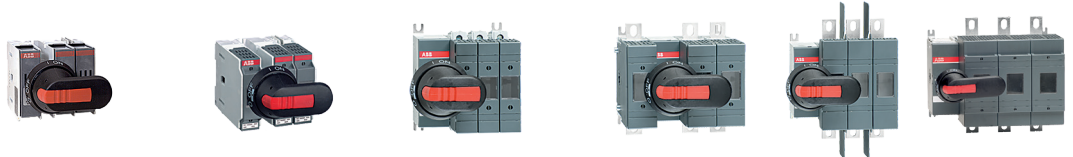


Interlocking fuse covers

Manual operated switch fuses 20...1250 A

Designed to deliver

Manual operated switch fuses 20...1250 A product range:



| Switch size [A] | 20 | 25 | 30 | 32 | 40 | 32 | 50 | 60 | 63 | 100 | 125 | 160 | 100 | 200 | 250 |
|--------------------|----------|----|----|----|--------|--------|----|----|----|---------|-----|-----|---------|--------|-----|
| DIN | - | | | | OS40FD | OS32GD | | | | OS125GD | | | | OS200D | |
| | - | | | | | OS63GD | | | | OS160GD | | | | OS250D | |
| BS | OS20FB | | | | | OS32GB | | | | OS100GB | | | | OS200B | |
| | OS32FB | | | | | OS63GB | | | | OS125GB | | | | OS250B | |
| | | | | | | | | | | OS160GB | | | | | |
| NFC | OS25FF | | | | | OS50GF | | | | OS125GF | | | | | |
| | OS32FF | | | | | | | | | | | | | | |
| UL98 File #E101914 | OS30FACC | | | | | OS60GJ | | | | | | | | | |
| | OS30FAJ | | | | | | | | | | | | OS100GJ | | |
| AC23/400V [kW] | | 11 | | 15 | 18.5 | 15 | 22 | | 30 | | 55 | 75 | | 110 | 140 |
| AC23/415V [kW] | 7.5 | | | 15 | | 15 | | | 30 | 55 | 55 | 75 | | 110 | 145 |
| 480 V [HP] | | | 15 | | | | | 30 | | | | | 60 | | |
| 600 V [HP] | | | 20 | | | | | 50 | | | | | 75 | | |



| Switch size [A] | 200 | 315 | 400 | 600 | 630 | 800 | 1200 | 1250 |
|--------------------|--------|--------|-----|--------|-----|---------|------|------|
| DIN | | OS400D | | OS630D | | OS1250D | | |
| | | | | OS800D | | | | |
| BS | | OS315B | | OS630B | | OS1250B | | |
| | | OS400B | | OS800B | | | | |
| UL98 File# E101914 | OS200J | OS400J | | OS600J | | OS1200L | | |
| | | | | OS800L | | | | |
| AC23/400V [kW] | | | 230 | | 355 | 450 | | 560 |
| AC23/415V [kW] | | 180 | 230 | | 355 | 450 | | 560 |
| 480 V [HP] | 150 | | 250 | 400 | | 500 | - | |
| 600 V [HP] | 200 | | 250 | 500 | | 600 | - | |

Please note that accessories are not automatically included in your order. See available accessories from pages 65-67 and ordering information from pages 69-96

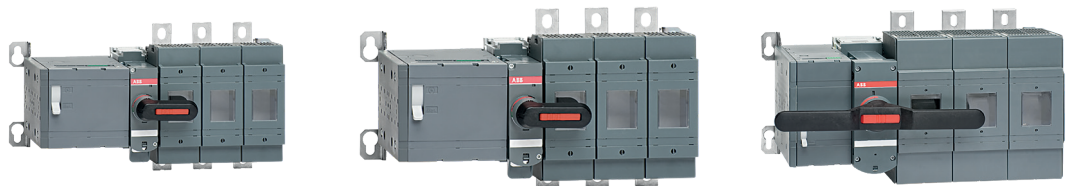
Motorized switch fuses 32...1250 A

Ideal for remote use

Motorized switch fuses 32...1250 A product range:



| Switch size [A] | 32 | 50 | 63 | 100 | 125 | 160 | 200 | 250 |
|-----------------|---------|----|----|----------|-----|-----|---------|-----|
| DIN | OSM32GD | | | OSM125GD | | | OSM200D | |
| | OSM63GD | | | OSM160GD | | | OSM250D | |
| BS | OSM32GB | | | OSM100GB | | | OSM200B | |
| | OSM63GB | | | OSM125GB | | | OSM250B | |
| | | | | OSM160GB | | | | |



| Switch size [A] | 315 | 400 | 630 | 800 | 800 | 1250 |
|-----------------|---------|-----|---------|-----|----------|------|
| DIN | OSM400D | | OSM630D | | OSM1250D | |
| | | | OSM800D | | | |
| BS | OSM315B | | OSM630B | | OSM1250B | |
| | OSM400B | | OSM800B | | | |

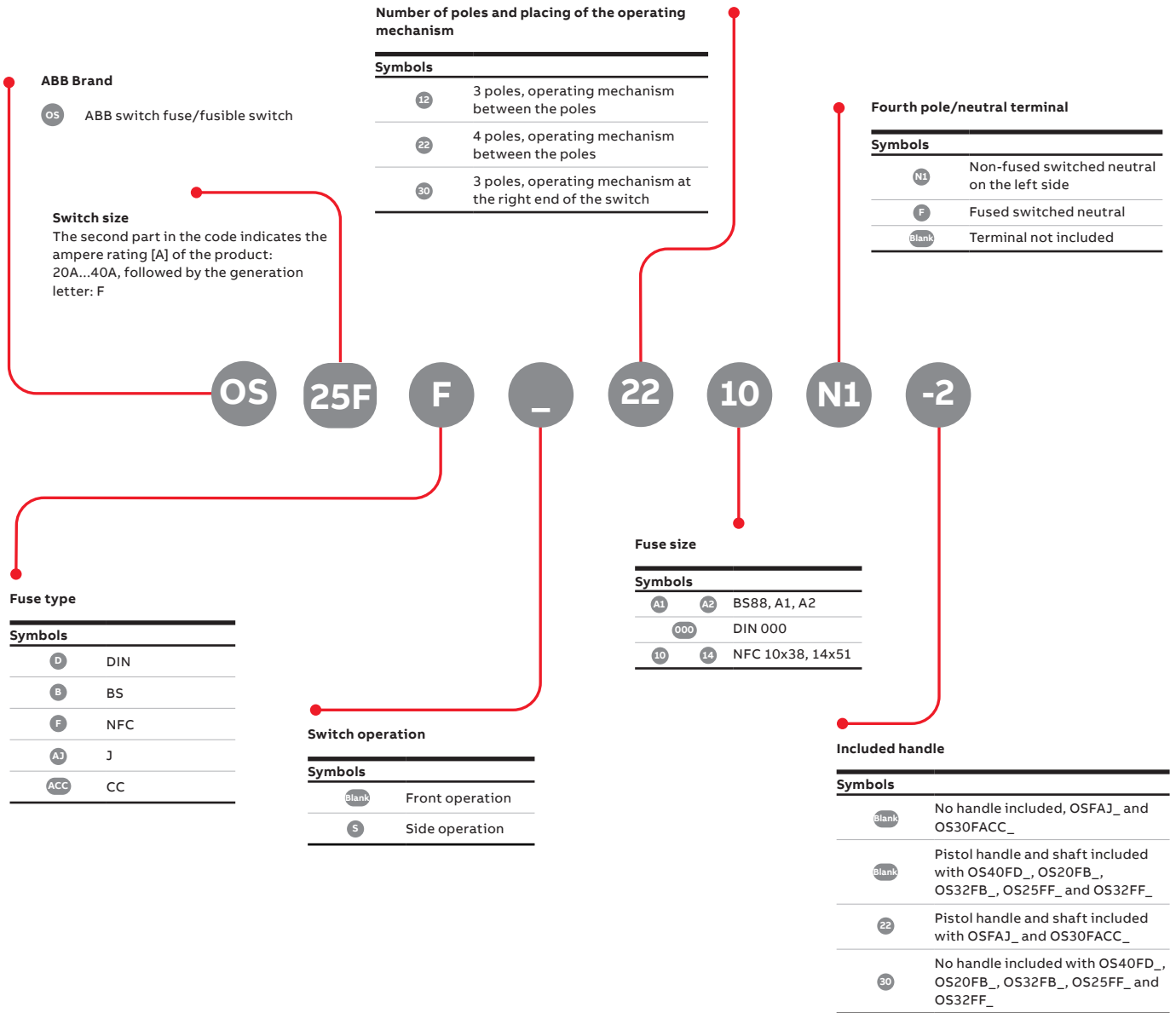
Please note that accessories are not automatically included in your order. See available accessories from page 65-67 and ordering information from pages 82-84, 86-88 and 92-93.

Manual operated switch fuses 20...40 A (OS Mini)

Type designation key

Type codes

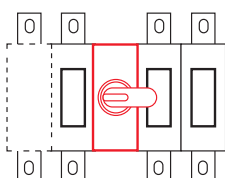
Understanding the type code keys below will help you quickly identify the correct product for your needs. The simple naming system allows you to see the products type, Ampere rating, standard classification and number of poles, all in one glance.



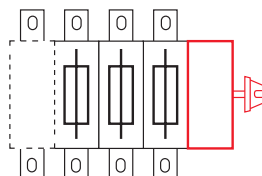
Pole configuration table

The various placing options of the operating mechanism in relation to the 3 or 4 poles is illustrated below. The operating mechanism may be placed at the end of the switch or between poles.

Between the poles OS_12 or 22:



Side operated types OS_30 or 40 / OS_03 or 04:

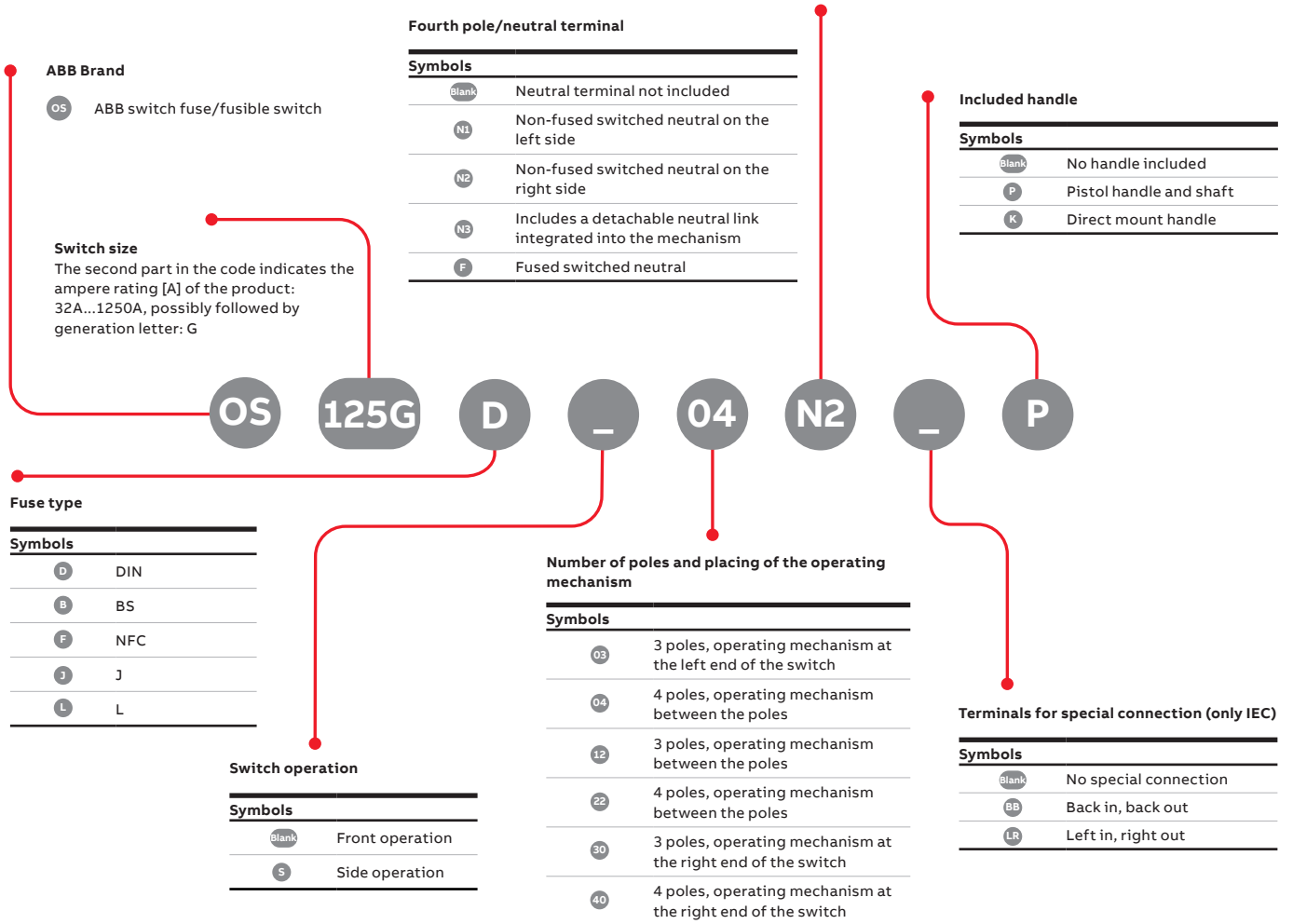


Manual operated switch fuses 32...1250 A

Type designation key

Type codes

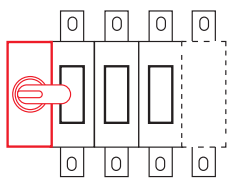
Understanding the type code keys below will help you quickly identify the correct product for your needs. The simple naming system allows you to see the products type, Ampere rating, standard classification and number of poles, all in one glance.



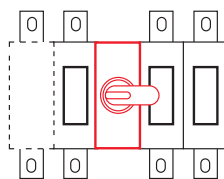
Pole configuration table

The various placing options of the operating mechanism in relation to the 3 or 4 poles is illustrated below. The operating mechanism may be placed at the end of the switch or between poles.

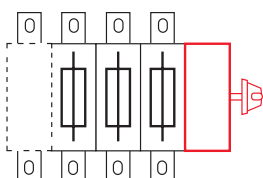
At the end of the switch fuse OS_03 or 04:



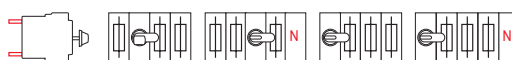
Between the poles OS_12 or 22:



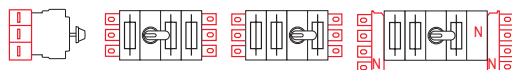
Side operated types OS_30 or 40 / OS_03 or 04:



BB-types:



LR-types:

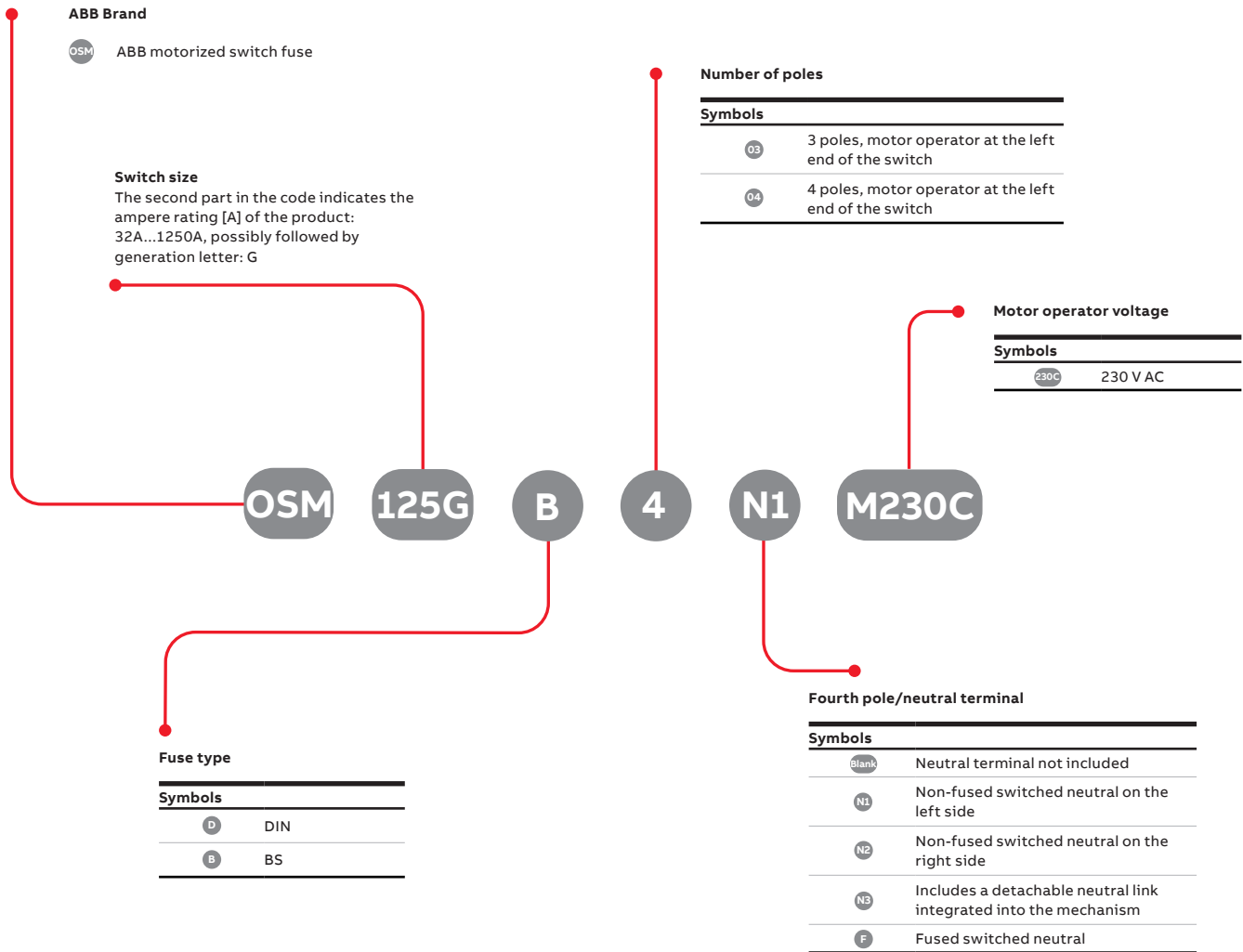


Motorized switch fuses 32...1250 A

Type designation key

Type codes

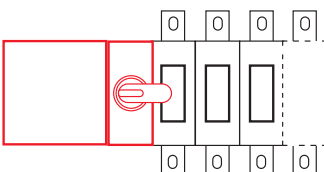
Understanding the type code keys below will help you quickly identify the correct product for your needs. The simple naming system allows you to see the products type, Ampere rating, standard classification and number of poles, all in one glance.



Pole configuration table

The various placing options of the operating mechanism in relation to the 3 or 4 poles is illustrated below.

At the end of the switch fuse OSM_03 or 04:





Switch fuses

Technical data

Manual operated switch fuses, IEC

| | |
|-------------------|----|
| OS Mini 20...40 A | 15 |
| OS32...160G | 16 |
| OS200...400 | 17 |
| OS630...1250 | 18 |

Special connected switch fuses, IEC

| | |
|-------------|----|
| OS125...200 | 19 |
| OS250...400 | 20 |

Motorized switch fuses, IEC

| | |
|-------------------------------|----|
| Motor operators OSM32...250 | 21 |
| Motor operators OSM315...1250 | 22 |

Fusible disconnect switches, UL/CSA

| | |
|--------------|----|
| OS30...200 | 22 |
| OS400...1200 | 23 |

Manual operated switch fuses, IEC

Technical data for OS Mini 20...40 A

Technical data according to IEC 60947-3

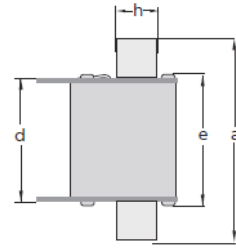
| Switch type | | | OS Mini 20 | OS Mini 25 | OS Mini 32 | OS Mini 40 |
|---|--|----------------------------|---------------------------|---------------------------|---------------------------|---------------------------|
| Rated insulation voltage | Pollution degree 3 | 50 Hz 1min. | 1000 V | 1000 V | 1000 V | 1000 V |
| Dielectric strength | | | 10 kV | 10 kV | 10 kV | 10 kV |
| Rated impulse withstand voltage | | | 12 kV | 12 kV | 12 kV | 12 kV |
| Rated thermal current in ambient 35 °C and temporarily 40 °C ¹⁾ / max. fuse power dissipation | In open air | Cu | 20 A/ 3.5 W | 25 A/3.5 W | 32 A/3.5 W | 40 A/4.5 W |
| | In enclosure ²⁾ | | 20 A/ 3.5 W | 25 A/3.5 W | 32 A/3.5 W | 40 A/4.5 W |
| | In enclosure with solid links | | 32 A | 32 A | 32 A | 40 A |
| ...with minimum cable cross section | | | 2.5 mm ² | 4 mm ² | 6 mm ² | 10 mm ² |
| Power loss / pole | With rated current, without fuse | | 1.3 W | 1.3 W | 2 W | 3.5 W |
| Derating, mounting on wall horizontal fuses | In open air or ventilated enclosure | | 0 % | | 0 % | 0 % |
| | Totally enclosed | | 5 % | 5 % | 5 % | 5 % |
| Derating, mounting on ceiling | | | 10 % | 10 % | 10 % | 10 % |
| Derating at 60 °C | In open air / in enclosure | | 20/ 20 % | 20/20 % | 20/20 % | 20/20 % |
| Rated operational voltage AC-20 and DC-20 | | | 1000 V | 1000 V | 1000 V | 1000 V |
| Rated operational current, AC-21A | | up to 500 V | 20 A | 25 A | 32 A | 40 A |
| | | 690 V | 20 A | 25 A | 32 A | 40 A |
| Rated operational current, AC-22A | | up to 500 V | 20 A | 25 A | 32 A | 40 A |
| | | 690 V | 20 A | 25 A | 32 A | 40 A |
| Rated operational current, AC-23A | | up to 500 V | 20 A | 25 A | 32 A | 40 A |
| | | 690 V | 20 A | 25 A | 32 A | 40 A |
| Rated operational current / poles in series DC-21A | 48 V | | 20 A/2 | 25 A/2 | 32 A/2 | 32 A/2 |
| | 110-220 V | | 20 A/2 | 25 A/2 | 32 A/2 | 32 A/2 |
| | 440 V | | 20 A/4 | 25 A/4 | 25 A/4 | 32 A/4 |
| Rated operational current / poles in series DC-22A | 48 V | | 20 A/2 | 25 A/2 | 32 A/2 | 32 A/2 |
| | 110-220 V | | 20 A/2 | 25 A/2 | 32 A/2 | 32 A/2 |
| | 440 V | | 20 A/4 | 25 A/4 | 32 A/4 | 32 A/4 |
| Rated operational current / poles in series DC-23A | 48 V | | 20 A/2 | 25 A/2 | 32 A/2 | 32 A/2 |
| | 110-220 V | | 20 A/2 | 25 A/2 | 32 A/2 | 32 A/2 |
| | 440 V | | 20 A/4 | 25 A/4 | 32 A/4 | 32 A/4 |
| Rated operational power, AC-23 ²⁾ | 230 V | | 5.5 kW | 5.5 kW | 7.5 kW | 11 kW |
| | 400 V | | 7.5 kW | 11 kW | 15 kW | 18.5 kW |
| | 415 V | | 7.5 kW | 11 kW | 15 kW | 18.5 kW |
| | 500 V | | 11 kW | 15 kW | 18.5 kW | 22 kW |
| | 690 V | | 15 kW | 22 kW | 22 kW | 30 kW |
| Rated breaking capacity in category AC-23 | | ≤ 690 V | 256 A | 256 A | 256 A | 320 A |
| Rated breaking capacity / poles in series in category DC-23 | | up to 220 V | 128/2 | 128/2 | 128/2 | 128/2 |
| | | 440 V | 128/4 | 128/4 | 128/4 | 128/4 |
| Rated conditional short-circuit current I _q (r.m.s.) and corresponding max. allowed cut-off current of fuse I _c | I _q 80 kA, 415 V | Max allowed I _c | 9 kA | 9 kA | 9 kA | 9 kA |
| | I _q 100 kA, 500 V | Max allowed I _c | 8 kA | 8 kA | 8 kA | 8 kA |
| The cut-off current I _c refers to values listed by fuse manufacturers (single phase test acc. to IEC60269). | I _q 50 kA, 690 V | Max allowed I _c | 7 kA | 7 kA | 7 kA | 7 kA |
| | I _q 80 kA, 690 V | Max allowed I _c | 7.5 kA | 7.5 kA | 7.5 kA | 7.5 kA |
| Rated short-time withstand current, 1 s. | r.m.s. -value | | 1 kA | 1 kA | 1 kA | 1 kA |
| Rated capacitor power when no initial charge on the capacitor | The capacitor rating of the switch-fuse is limited by the fuse link. | | 400 V | 10 kVAr | 12.5 kVAr | 15 kVAr |
| | | | 415 V | 10 kVAr | 12 kVAr | 15 kVAr |
| | | | 690 V | 15 kVAr | 20 kVAr | 25 kVAr |
| Mechanical endurance | Divide by two for operation cycles | | 20 000 Oper. | 20 000 Oper. | 20 000 Oper. | 20 000 Oper. |
| Fuse types, IEC 60269-2 | DIN 43620 | | | | | 000 |
| | NFC 63210, 63211 | | | 10x38 | 14x51 | |
| | BS 88-2, -6 | | | A1 | A1, A2 | |
| | distance of fuse-link bolts | | | M4/44.5 mm | M4/45.5 mm(A1) | |
| | distance of fuse-link bolts | | | | M4/73 mm (A2) | |
| Cable size | Cu | | 0.75...10 mm ² | 0.75...10 mm ² | 0.75...10 mm ² | 0.75...10 mm ² |
| Terminal tightening torque | Counter torque required | | 2 Nm | 2 Nm | 2 Nm | 2 Nm |
| Fuse-links bolts tightening torque | | | 2 Nm | 2 Nm | 2 Nm | 2 Nm |
| Operating torque | Typical for 3-pole switch fuses | | 3 Nm | 3 Nm | 3 Nm | 3 Nm |

¹⁾ Acc. to IEC 60957-2, IEC 60947-1, § 6.1.1. Minimum ambient temperature -5 °C. Category B: -5 °C...-35 °C.

²⁾ Some fuse links limit these figures further. Starting current characteristics must be considered separately.

Manual operated switch fuses, IEC

Technical data for OS32...160G



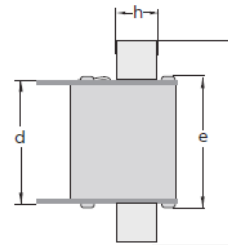
Technical data according to IEC 60947-3

| Switch type | | | OS_32G | OS_50G | OS_63G | OS_100G | OS_125G | OS_160G | |
|--|---|--|--|--------------------------|--------------------------|----------------------|-------------------------|-------------------------|-----------|
| Rated insulation voltage | | | 1000 V | 1000 V | 1000 V | 1000 V | 1000 V | 1000 V | |
| Dielectric strength | Pollution degree 3 | 50 Hz 1min. | 10 kV | 10 kV | 10 kV | 10 kV | 10 kV | 10 kV | |
| Rated impulse withstand voltage | | | 12 kV | 12 kV | 12 kV | 8 kV | 8 kV | 8 kV | |
| Rated thermal current in ambient 35 °C and temporarily 40 °C ¹⁾ / max. fuse power dissipation | In open air | | 32 A/7.5 W | 50 A/7.5 W | 63 A/7.5 W | 100 A/12 W | 125 A/12 W | 160 A/12 W | |
| | In enclosure | | 32 A/7.5 W | 50 A/7.5 W | 63 A/7.5 W | 100 A/12 W | 125 A/12 W | 160 A/12 W | |
| ...with minimum cable cross section | | Cu | 6 mm ² | 10 mm ² | 16 mm ² | 50 mm ² | 50 mm ² | 70 mm ² | |
| Power loss / pole | With rated current, without fuse | | 1 W | 2.5 W | 4 W | 4 W | 5 W | 9 W | |
| Derating, mounting on wall horizontal fuses | In open air or ventilated enclosure | | 0 % | 0 % | 0 % | 0 % | 0 % | 0 % | |
| | Totally enclosed | | 5 % | 5 % | 5 % | 5 % | 5 % | 5 % | |
| Derating, mounting on ceiling | | | 10 % | 10 % | 10 % | 10 % | 10 % | 10 % | |
| Derating at 60 °C | In open air/ in enclosure | | 20/20 % | 20/20 % | 20/20 % | 20/20 % | 20/20 % | 20/20 % | |
| Rated operational voltage AC-20 and DC-20 | | | 1000 V | 1000 V | 1000 V | 1000 V | 1000 V | 1000 V | |
| Rated operational current, AC-21A | up to 500 V | | 32 A | 50 A | 63 A | 100 A | 125 A | 160 A | |
| | 690 V | | 32 A | 50 A | 63 A | 100 A | 125 A | 160 A | |
| Rated operational current, AC-22A | up to 500 V | | 32 A | 50 A | 63 A | 100 A | 125 A | 160 A | |
| | 690 V | | 32 A | 50 A | 63 A | 100 A | 125 A | 160 A | |
| Rated operational current, AC-23A | up to 500 V | | 32 A | 50 A | 63 A | 100 A | 125 A | 160 A | |
| | 690 V | | 32 A | 50 A | 63 A | 100 A | 125 A | 160 A | |
| Rated operational current / poles in series DC-21A | 48 V | | 32 A/2 | 50 A/2 | 63 A/2 | 100 A/2 | 125 A/2 | 160 A/2 | |
| | 110-220 V | | 32 A/2* | 50 A/2* | 63 A/2* | 100 A/2* | 125 A/2* | 125 A/2* | |
| | 440 V | | 32 A/4* | 50 A/4* | 50 A/4* | 100 A/4* | 125 A/4* | 125 A/4* | |
| Rated operational current / poles in series DC-22A | 48 V | | 32 A/2 | 50 A/2 | 63 A/2 | 100 A/2 | 125 A/2 | 160 A/2 | |
| | 110-220 V | | 32 A/2* | 50 A/2* | 63 A/2* | 100 A/2* | 125 A/2* | 125 A/2* | |
| Rated operational current / poles in series DC-23A | 48 V | | 32 A/2 | 50 A/2 | 63 A/2 | 100 A/2 | 125 A/2 | 160 A/2 | |
| | 110-220 V | | 32 A/2* | 50 A/2* | 63 A/2* | 100 A/2* | 125 A/2* | 125 A/2* | |
| Rated operational power, AC-23 ²⁾ | The kW-ratings are accurate for three-phase 1500 R.P.M. standard asynchronous motors. | 230 V | 7.5 kW | 11 kW | 18.5 kW | 30 kW | 37 kW | 45 kW | |
| | | 400 V | 15 kW | 22 kW | 30 kW | 55 kW | 55 kW | 75 kW | |
| | | 415 V | 15 kW | 22 kW | 30 kW | 55 kW | 55 kW | 75 kW | |
| | | 500 V | 18.5 kW | 30 kW | 37 kW | 55 kW | 75 kW | 90 kW | |
| | | 690 V | 22 kW | 37 kW | 55 kW | 90 kW | 110 kW | 132 kW | |
| Rated breaking capacity in category AC-23 | | ≤ 690 V | 504 A | 504 A | 504 A | 1280 A | 1280 A | 1280 A | |
| Rated breaking capacity / poles in series in category DC-23 | | up to 220 V | 252 A/2 | 252 A/2 | 252 A/2 | 640 A/2 | 640 A/2 | 640 A/2 | |
| Rated conditional short-circuit current I _{cs} (r.m.s.) and corresponding max. allowed cut-off current of fuse I _c The cut-off current I _c refers to values listed by fuse manufacturers (single phase test acc. to IEC60269). | I _c 80 kA, 415 V | Max allowed I _c Max OFA ₁ fuse size gG/aM | 13.5 kA | 13.5 kA | 13.5 kA | 23.5 kA | 23.5 kA | 23.5 kA | |
| | | | 80/63 A | 80/63 A | 80/63 A | 160/160 A | 160/160 A | 160/160 A | |
| | | I _c 100 kA, 500 V | Max allowed I _c Max OFA ₁ fuse size gG/aM | 12.5 kA | 12.5 kA | 12.5 kA | 25.5 kA | 25.5 kA | 25.5 kA |
| | | | | 63/50 A | 63/50 A | 63/50 A | 160/160 A | 160/160 A | 160/160 A |
| | | I _c 50 kA, 690 V | Max allowed I _c Max OFA ₁ fuse size gG/aM | 9.5 kA | 9.5 kA | 9.5 kA | 17.5 kA | 17.5 kA | 17.5 kA |
| | | | | 63/50 A | 63/50 A | 63/50 A | 125/160 A | 125/160 A | 125/160 A |
| I _c 80 kA, 690 V | Max allowed I _c Max OFA ₁ fuse size gG/aM | 11.5 kA | 11.5 kA | 11.5 kA | 20.5 kA | 20.5 kA | 20.5 kA | | |
| | | 50/50 A | 50/50 A | 50/50 A | 125/160 A | 125/160 A | 125/160 A | | |
| I _c 50 kA, 415 V | Max allowed I _c Max BS fuse size gG/gM | 10 kA | | 10 kA | 18 kA | 18 kA | 18 kA | | |
| | | 63/63M80 A | | 63/63M80 A | 160/100M160 A | 160/100M160 A | 160/100M160 A | | |
| I _c 80 kA, 415 V | Max allowed I _c Max BS fuse size gG/gM | 13 kA | | 13 kA | 19.5 kA | 19.5 kA | 19.5 kA | | |
| | | 63/63M80 A | | 63/63M80 A | 160/100M125 A | 160/100M125 A | 160/100M125 A | | |
| Rated short-time withstand current, 1 s. | r.m.s. -value | | 2.5 kA | 2.5 kA | 2.5 kA | 5 kA | 5 kA | 5 kA | |
| Rated capacitor power when no initial charge on the capacitor | The capacitor rating of the switch-fuse is limited by the fuse link. | 400 V | 15 kVAr | 20 kVAr | 25 kVAr | 40 kVAr | 50 kVAr | 60 kVAr | |
| | | 415 V | 15 kVAr | 25 kVAr | 32 kVAr | 42 kVAr | 55 kVAr | 65 kVAr | |
| | | 690 V | 25 kVAr | 42 kVAr | 50 kVAr | 75 kVAr | 90 kVAr | 100 kVAr | |
| Mechanical endurance | Divide by two for operation cycles | | 20 000 Oper. | 20 000 Oper. | 20 000 Oper. | 20 000 Oper. | 16 000 Oper. | 16 000 Oper. | |
| Fuse types, IEC 60269-2 | DIN 43620 | | 000 ⁶⁾ | | 000 ⁶⁾ | | 000,00 ^{6) 7)} | 000,00 ^{6) 7)} | |
| | NFC 63210, 63211 | | | 14x51 | | | 22x58 | | |
| | BS 88-2, -6 | | A2-A3 ⁵⁾ | | A2-A3 ³⁾ | A2-A4 ⁴⁾ | A2-A4 ⁴⁾ | A2-A4 ⁴⁾ | |
| | distance of fuse-link bolts | | M5/73 mm | | M5/73 mm | M5/73 mm | M5/73 mm | M5/73 mm | |
| | distance of fuse-link bolts | | | | | M8/94 mm | M8/94 mm | M8/94 mm | |
| Cable size | | Cu | 2.5...25 mm ² | 2.5...25 mm ² | 2.5...25 mm ² | | | | |
| Terminal tightening torque | | | 3/4 Nm ⁵⁾ | 3/4 Nm ⁵⁾ | 3/4 Nm ⁵⁾ | 15-22 Nm | 15-22 Nm | 15-22 Nm | |
| Fuse-links bolts tightening torque | Counter torque required | | 3.5 Nm | | 3.5 Nm | M5:3.5 Nm M8:5 Nm | M5:3.5 Nm M8:5 Nm | M5:3.5 Nm M8:5 Nm | |
| | | | | | | | | | |
| Operating torque | Typical for 3-pole switch fuses | | 5 Nm | 5 Nm | 5 Nm | 7 Nm | 7 Nm | 7 Nm | |

* = Utilization category B.
¹⁾ Acc. to IEC 60947-1, § 6.1.1. Minimum ambient temperature -5°C. Category B: -5°C...-35°C.
²⁾ Some fuse links limit these figures further. Starting current characteristics must be considered separately.
³⁾ Max. fuse body diam. 22 mm.
⁴⁾ Max. fuse body diam. 32 mm.
⁵⁾ 3 Nm with cable sizes 2.5...6 mm², 4 Nm with cable sizes 10...25 mm².
⁶⁾ Max. allowed knife dimension h is 15 mm.
⁷⁾ For solid link size 00 the a dimension must be min. 80.0 mm.

Manual operated switch fuses, IEC

Technical data for OS200...400



Technical data according to IEC 60947-3

| Switch type | | | OS_200GB | OS_200_ | OS_250_ | OS_315B_ | OS_400_ |
|---|---|--|----------------------|----------------------------------|------------------------|------------------------|------------------------|
| Rated insulation voltage and rated operational voltage AC-20 and DC-20 | Pollution degree 3 | 50 Hz 1min. | 1000 V | 1000 V | 1000 V | 1000 V | 1000 V |
| | | Dielectric strength | 10 kV | 10 kV | 10 kV | 10 kV | 10 kV |
| | | Rated impulse withstand voltage | 8 kV | 12 kV | 12 kV | 12 kV | 12 kV |
| Rated thermal current in ambient 35 °C and temporarily 40 °C ¹⁾ / max. fuse power dissipation | In open air | | 200 A/14 W | 200 A/17 W | 250 A/23 W | 315 A/32 W | 400 A/45 W |
| | In enclosure | | 200 A/14 W | 200 A/15 W | 250 A/20 W | 315 A/32 W | 400 A/30 W |
| ...with minimum cable cross section | | Cu | 70 mm ² | 95 mm ² | 120 mm ² | 185 mm ² | 240 mm ² |
| Derating, mounting on wall horizontal fuses | In open air or ventilated enclosure | | 0 % | 0 % | 0 % | 0 % | 4 % |
| | Totally enclosed | | 5 % | 5 % | 5 % | 5 % | 8 % |
| Derating, mounting on ceiling | | | 10 % | 10 % | 10 % | 10 % | 10 % |
| Derating at 60 °C | In open air / in enclosure | | 20/20 % | 20/20 % | 20/20 % | 20/20 % | 20/20 % |
| Power loss / pole | With rated current, without fuse | | 9 W | 8 W | 13 W | 19 W | 30 W |
| Rated operational current AC-22B | | ≤ 415 V | 200 A | | | | |
| Rated operational current AC-21A | | ≤ 500 V | | 200 A | 250 A | 315 A | 400 A |
| | | 690 V | | 200 A | 250 A | 315 A | 400 A |
| Rated operational current AC-22A | | ≤ 415 V | | 200 A | 250 A | 315 A | 400 A |
| | | 500 V | | 200 A | 250 A | 315 A | 400 A |
| | | 690 V | | 200 A | 250 A | 315 A | 400 A |
| Rated operational current AC-23A | | ≤ 415 V | | 200 A | 250 A | 315 A | 400 A |
| | | 500 V | | 200 A | 250 A | 315 A | 400 A |
| | | 690 V | | 200 A | 250 A | 315 A | 400 A |
| Rated operational current / poles in series DC-21A, DC-22A and DC-23A | | ≤ 220 V | | 200 A/1 | 250 A/1 | 315 A/2 | 400 A/2 |
| | | 440 V | | 200 A/2 | 250 A/2 | 315 A/3* | 400 A/3* |
| | | 660 V | | 200 A/3 | 250 A/3 | 315 A/4* | 400 A/4* |
| | | 750 V | | 180 A/4 | 230 A/4 | 315 A/4* | 400 A/4* |
| | | 880 V | | 180 A/4 | 230 A/4 | | |
| Rated operational power AC-23 ³⁾ | | 230 V | | 60 kW | 75 kW | 100 kW | 132 kW |
| | | 400 V | | 110 kW | 140 kW | 160 kW | 220 kW |
| | | 415 V | | 110 kW | 145 kW | 180 kW | 230 kW |
| | | 500 V | | 132 kW | 170 kW | 220 kW | 280 kW |
| | | 690 V | | 200 kW | 250 kW | 315 kW | 400 kW |
| Rated breaking capacity AC-23 | | ≤ 690 V | | 1600 A | 2000 A | 3200 A | 3200 A |
| Rated conditional short-circuit current I _q (r.m.s.) and corresponding max. allowed cut-off current of fuse I _c | I _q 80 kA, 415 V | Max allowed I _c Max. OFA_ fuse size gG/aM | 23.5 kA | 35 kA 250/200 A | 40.5 kA 355/315 A | | 59 kA 500/500 A |
| | I _q 100 kA, 500 V | Max allowed I _c Max. OFA_ fuse size gG/aM | | 37.5 kA 250/200 A | 37.5 kA 250/250 A | | 63.5 kA 500/500 A |
| | I _q 80 kA, 690 V | Max allowed I _c Max. OFA_ fuse size gG/aM | | 25 kA 250/250 A ⁸⁾ | 32.5 kA 250/250 A | | 46 kA 315/400 A |
| | I _q 100 kA, 690 V | Max allowed I _c Max. SIBA NH fuse size gG/aM | | | 200/200 A | | |
| | I _q 50 kA, 415 V | Max allowed I _c Max. BS fuse size gG/gM | 21 kA 200/- A | 28 kA 200/200M315 | 28 kA 250/200M315 | 44 kA 400/400M500 | 44 kA 400/400M500 |
| | I _q 80 kA, 690 V | Max allowed I _c Max. BS fuse size gG/gM | | 28 kA 250/200M250 A | 28 kA 250/200M250 A | 48 kA 400/400M450 A | 48 kA 400/400M450 A |
| Rated short-time withstand current, 1s. | r.m.s. -value | | 5 kA | 8 kA | 8 kA | 14 kA | 14 kA |
| | Max. distance from switch frame to nearest busbar/cable support | | 150 mm | 150 mm | 150 mm | 150 mm | 150 mm |
| Rated capacitor power when no initial charge of the capacitor | The capacitor ratings of the switch-fuses are limited by the fuse links | 400 V | 60 kVAr | 90 kVAr | 105 kVAr | 145 kVAr | 180 kVAr |
| | | 415 V | 65 kVAr | 100 kVAr | 115 kVAr | 160 kVAr | 200 kVAr |
| | | 500 V | | 120 kVAr | 135 kVAr | 175 kVAr | 215 kVAr |
| | | 690 V | 100 kVAr | 160 kVAr | 190 kVAr | 250 kVAr | 325 kVAr |
| Mechanical endurance | Divide by two for operation cycles | | 16 000 Oper. | 20 000 Oper. | 20 000 Oper. | 16 000 Oper. | 16 000 Oper. |
| Fuse types, IEC 60269-2 | DIN 43620 | | | 0 ⁶⁾ | 0-1 ⁵⁾ | | 0-2 ⁷⁾ |
| | BS 88-2, -6 | | A2-A4 | B1-B2 | B1-B3 ⁴⁾ | B1-B4 ⁵⁾ | B1-B4 ⁵⁾ |
| | Size / distance of fuse-link bolts | | M5/73 mm | M6/111 mm | M8/111 mm | M8/111 mm | M8/111 mm |
| Terminal tightening torque | | | | | | | |
| Fuse-links bolts tightening torque | Counter torque required | | 15-22 Nm | 15-22 Nm | 30-44 Nm | 30-44 Nm | 30-44 Nm |
| | | | M5:3.5 Nm M8:5 Nm | 4 Nm | 5 Nm | 20 Nm | 20 Nm |
| Operating torque | Typical for 3-pole switch fuses | | 7 Nm | 7 Nm | 7 Nm | 19 Nm | 19 Nm |

* = Utilization category B.

¹⁾ Acc. to IEC 60957-2, IEC 60947-1, § 6.1.1. Minimum ambient temperature -5°C. Category B: -5°C...-35°C.

²⁾ Utilization category DC21-B.

³⁾ These values are given for guidance and may vary acc. to the motor manufacturer.

⁴⁾ Max. fuse body diam 52 mm.

⁵⁾ Max. fuse body diam 62 mm.

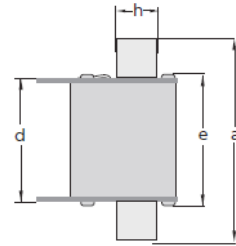
⁶⁾ Max. allowed knife dimension h is 21 mm

⁷⁾ Max. allowed knife dimension h is 27 mm

⁸⁾ OS200DZ_ 200/250 A

Manual operated switch fuses, IEC

Technical data for OS630...1250



Technical data according to IEC 60947-3

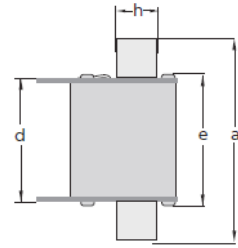
| Switch type | | | OS_630_ | OS_800_ | OS_1250_ |
|--|--|--|-------------------------|-------------------------|---|
| Rated insulation voltage and rated operational voltage AC-20 and DC-20 | Pollution degree 3 | 50 Hz 1min. | 1000 V | 1000 V | 1000 V |
| Dielectric strength | | | 10 kV | 10 kV | 10 kV |
| Rated impulse withstand voltage | | | 12 kV | 12 kV | 12 kV |
| Rated thermal current in ambient 35 °C and temporarily in 40 °C ¹⁾ / max. fuse power dissipation | In open air | | 630 A/60 W | 800 A/65 W | 1250 A/110 W |
| | In enclosure | | 570 A/50 W | 720 A/55 W | 1000 A/85 W |
| ...with minimum cable cross section | | Cu | 2 x 185 mm ² | 2 x 240 mm ² | 2 x 400 mm ² |
| Derating, mounting on wall horizontal fuses | In open air or ventilated enclosure | | 0 % | 4 % | 4 % |
| | Totally enclosed | | 5 % | 8 % | 8 % |
| Derating, mounting on 'ceiling' | | | 10 % | 10 % | 10 % |
| Derating at 60 °C | In open air / in enclosure | | 20/20 % | 20/20 % | 20/20 % |
| Power loss / pole | With rated current, without fuse | | 46 W | 75 W | 75 W |
| Rated operational current AC-21A | | ≤ 500 V | 630 A | 800 A | 1250 A ²⁾ |
| | | 690 V | 630 A | 800 A | 1250 A ²⁾ |
| Rated operational current AC-22A | | ≤ 415 V | 630 A | 800 A | 1250 A |
| | | 500 V | 630 A | 800 A | 1250 A ²⁾ |
| | | 690 V | 630 A | 800 A | 1250 A ²⁾ |
| | | | | | |
| Rated operational current AC-23A | | ≤ 415 V | 630 A | 800 A | 1000 A |
| | | 500 V | 630 A | 800 A | 1000 A ²⁾ |
| | | 690 V | 630 A | 800 A | 1000 A ²⁾ |
| | | | | | |
| Rated operational current / poles in series DC-21A, DC-22A and DC-23A | | ≤ 220 V | 630 A/1' | 800 A/1' | |
| | | 440 V | 630 A/2' | 800 A/2' | |
| | | 660 V | 630 A/3' | 720 A/3' | |
| | | 750 V | 630 A/4' | 720 A/4' | |
| | | 880 V | 630 A/4' | 720 A/4' | |
| | | | | | |
| Rated operational power AC-23 ³⁾ | | 230 V | 200 kW | 250 kW | 315 kW |
| | | 400 V | 355 kW | 450 kW | 560 kW |
| | | 415 V | 355 kW | 450 kW | 560 kW |
| | | 500 V | 450 kW | 560 kW | 710 kW |
| | | 690 V | 630 kW | 710 kW | 1000 kW |
| Rated breaking capacity AC-23 | | ≤ 690 V | 6400 A | 6400 A | 8000 A |
| Rated conditional short circuit current I _q (r.m.s.) and corresponding max. allowed cut-off current of fuse î _c The cut-off current î _c refers to values listed by fuse manufacturers (single phase test acc. to IEC60269) | I _q 80 kA, 415 V | Max allowed î _c Max OFA_ fuse size gG/aM | 77 kA 800/800 A | 77 kA 800/800 A | 89 kA 1250/1250 A |
| | I _q 100 kA, 500 V | Max allowed î _c Max OFA_ fuse size gG/aM | 83 kA 800/800 A | 83 kA 800/800 A | 105 kA 1250/-A |
| | I _q 80 kA, 690 V | Max allowed î _c Max OFA_ fuse size gG/aM Max BS fuse size gG/gM | 55 kA 500/630 A | 55 kA 500/630 A | 88 kA 1000/1000 A 1250/-A ⁵⁾ |
| | I _q 50 kA, 415 V | Max allowed î _c Max. BS fuse size gG/gM | 67 kA | 67 kA | 90 kA |
| Rated short-time withstand current, 1s. | r.m.s. -value Max. distance from switch frame to nearest busbar/cable support | | 18 kA | 18 kA | 40 kA |
| | | | 150 mm | 150 mm | 150 mm |
| Rated capacitor power when no initial charge of the capacitor | The capacitor ratings of the switch-fuses are limited by the fuse links | 400 V | 250 kVAr | 310 kVAr | 440 kVAr |
| | | 415 V | 270 kVAr | 340 kVAr | 460 kVAr |
| | | 500 V | 300 kVAr | 375 kVAr | 550 kVAr |
| | | 690 V | 450 kVAr | 550 kVAr | 750 kVAr |
| Mechanical endurance | Divide by two for operation cycles | | 10 000 Oper. | 6000 Oper. | 6000 Oper. |
| Fuse types, IEC 60269-2 | DIN 43620 | | 2-3 ⁴⁾ | 2-3 ⁴⁾ | 4-4a |
| | BS 88-2, 6 | | C1-C3 | C1-C3 | D1 |
| | Size / distance of fuse-link bolts | | M10/133, 184 mm | M10/133, 184 mm | 2xM12/149 mm |
| Terminal tightening torque | Counter torque required | | 50-75 Nm | 50-75 Nm | 50-75 Nm |
| Fuse-links bolts tightening torque | | | M10:30 Nm M12:40 Nm | M10:30 Nm M12:40 Nm | M12:40 Nm |
| Operating torque | Typical for 3-pole switch fuses | | 38 Nm | 38 Nm | 65 Nm |

¹⁾ = Utilization category B.
²⁾ Acc. to IEC 60957-2, IEC 60947-1, § 6.1.1. Minimum ambient temperature -5°C. Category B: -5°C...-35°C.
³⁾ Category B.
⁴⁾ These values are given for guidance and may vary acc. to the motor manufacturer.
⁵⁾ Max. allowed knife dimension h is 35 mm
⁶⁾ For 2-pole switches max BS fuse gG 1000 A

03

Special connected switch fuses, IEC

Technical data for OS125...200



Technical data according to IEC 60947-3

| Switch type | | | OS_125G | OS_160G | OS_200 |
|---|--|--|--------------------------|--------------------------|---|
| Rated insulation voltage and rated operational voltage AC-20 and DC-20 | Pollution degree 3 | 50 Hz 1min. | 1000 V | 1000 V | 1000 V |
| Dielectric strength | | | 10 kV | 10 kV | 10 kV |
| Rated impulse withstand voltage | | | 8 kV | 8 kV | 12 kV |
| Rated thermal current in ambient 35 °C and temporarily 40 °C ¹⁾ / max. fuse power dissipation ...with minimum cable cross section | | | 125 A/12 W | 160 A/12 W | 200 A/17 W |
| Derating, mounting on wall horizontal fuses | In open air or ventilated enclosure | | 0 % | 0 % | 0 % |
| | Totally enclosed | | 5 % | 5 % | 5 % |
| Derating, mounting on ceiling | | | 10 % | 10 % | 10 % |
| Derating at 60 °C | In open air / in enclosure | | 20/20 % | 20/20 % | 20/20 % |
| Power loss / pole | With rated current, without fuse | BB | 5 W | 9 W | 8 W |
| | | LR | | | 11 W |
| Rated operational current AC-21A, AC-22A and AC-23A | Up to 690V | | 125 A | 160 A | 200 A |
| Rated operational current /poles in series DC-21A, DC-22A and DC-23A | 48V | | 125 A/2 | 160 A/2 | 200 A/1 |
| | 110-220V | | 125 A/2 | 125 A/2* | 200 A/1 |
| | 440V | | 125 A/4*(DC-21A) | 125 A/4*(DC-21A) | 200 A/2 |
| | 660V | | | | 200 A/3 |
| | 750V | | | | 180 A/4 |
| | 880V | | | | 180 A/4 |
| Rated operational power AC-23 ²⁾ | The kW-ratings are accurate for three-phase 1500 R.P.M standard asynchronous motors. | 230 V | 37 kW | 45 kW | 60 kW |
| | | 400 V/415 V | 55/55 kW | 75/75 kW | 100/110 kW |
| | | 500 V/690 V | 75/110 kW | 90/132 kW | 140/180 kW |
| | | | | | |
| Rated breaking capacity in category AC-23 | up to 690 V | | 1280 A | 1280 A | 1600 A |
| Rated breaking capacity/poles in series in category DC-23 | up to 220V | | 640 A/2 | 640 A/2 | |
| Rated conditional short-circuit current I_{cs} (r.m.s.) and corresponding max. allowed cut-off current of fuse \hat{i}_c . The cut-off current \hat{i}_c refers to values listed by fuse manufacturers ⁵⁾ (single phase test acc. to IEC60269) | I_{cs} 80 kA, 415 V | Max allowed \hat{i}_c Max OFA_fuse size gG/aM | 23.5 kA 160/160 A | 23.5 kA 160/160 A | |
| | I_{cs} 100 kA, 500 V | Max allowed \hat{i}_c Max OFA_fuse size gG/aM | 25.5 kA 160/160 A | 25.5 kA 160/160 A | 30 kA 200/200 A ⁶⁾ |
| | I_{cs} 50 kA, 690 V | Max allowed \hat{i}_c Max OFA_fuse size gG/aM | 17.5 kA 125/160 A | 17.5 kA 125/160 A | 20 kA 160/- A |
| | I_{cs} 80 kA, 690 V | Max allowed \hat{i}_c Max OFA_fuse size gG/aM | 20.5 kA 125/160 A | 20.5 kA 125/160 A | 25 kA 160/- A ⁶⁾ |
| Rated short-time withstand current, I_s . | r.m.s. -value | | 5 kA | 5 kA | 8 kA |
| | Max. distance from switch frame to nearest busbar/cable support | | | | 150 mm |
| Rated capacitor power when no initial charge of the capacitor | The capacitor ratings of the switch-fuses are limited by the fuse links | 400 V/415 V | 50/55 kVAr | 60/65 kVAr | |
| | | 690 V | 90 kVAr | 100 kVAr | |
| Mechanical endurance | Divide by two for operation cycles | | 20 000 Oper. | 20 000 Oper. | 20 000 Oper. |
| Fuse types, IEC 60269-2 | DIN 43620 | | 000, 00 ^{7) 8)} | 000, 00 ^{7) 8)} | 0 ⁸⁾ |
| | NFC 63210, 63211 | | 22x58 | | |
| Terminal tightening torque | Counter torque required | | 15-22 Nm | 15-22 Nm | M8:15-22 Nm ⁹⁾ , M10:30-44 Nm |
| | | | | | |
| Fuse-links bolts tightening torque | | | M5:3.5 Nm M8:5 Nm | M5:3 Nm M8:5 Nm | 4 Nm 5 Nm |
| Operating torque | Typical for 3 and 4-pole switches | | 7 Nm | 7 Nm | 7 Nm |

* = Utilization category B.

¹⁾ Acc. to IEC 60947-1, § 6.1.1. Minimum ambient temperature -5°C. Category B: -5°C...-35°C.

²⁾ Some fuse links limit these figures further. Starting current characteristics must be considered separately.

³⁾ Side terminals tightening torque max 15 Nm.

⁴⁾ Max fuse body diam. 32 mm.

⁵⁾ BS fuse manufacturers covered by this table ABB, MEM, Bussmann, GEC.

⁶⁾ 3-pole types only.

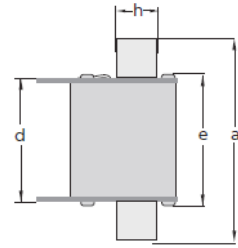
⁷⁾ Max. allowed knife dimension h is 15 mm.

⁸⁾ Max. allowed knife dimension h is 21 mm.

⁹⁾ For solid link size 00 the a dimension must be min. 80.0 mm.

Special connected switch fuses, IEC

Technical data for OS250...400



Technical data according to IEC 60947-3

| Switch type | | | OS_250 | OS_315 | OS_400 |
|---|--|--|---|---|---|
| Rated insulation voltage and rated operational voltage AC-20 and DC-20 | Pollution degree 3 | 50 Hz 1min. | 1000 V | 1000 V | 1000 V |
| Dielectric strength | | | 10 kV | 10 kV | 10 kV |
| Rated impulse withstand voltage | | | 12 kV | 12 kV | 12 kV |
| Rated thermal current in ambient 35 °C and temporarily 40 °C ¹⁾ / max. fuse power dissipation ...with minimum cable cross section | | | 250 A/23 W | 315 A/32 W | 400 A/45 W |
| | | | 120 mm ² | 185 mm ² | 240 mm ² |
| Derating, mounting on wall horizontal fuses | In open air or ventilated enclosure | | 0 % | 0 % | 0 % |
| | Totally enclosed | | 5 % | 5 % | 5 % |
| Derating, mounting on ceiling | | | 10 % | 10 % | 10 % |
| Derating at 60 °C | In open air / in enclosure | | 20/20 % | 20/20 % | 20/20 % |
| Power loss / pole | With rated current, without fuse | BB | 13 W | 19 W | 30 W |
| | | LR | 17 W | 25 W | 40 W |
| Rated operational current AC-21A, AC-22A and AC-23A | | Up to 690V | 215 A | 315 A | 400 A |
| Rated operational current /poles in series DC-21A, DC-22A and DC-23A | | 48V | 250 A/1 | 315 A/2 | 400 A/2 |
| | | 110-220V | 250 A/1 | 315 A/2 | 400 A/2 |
| | | 440V | 250 A/2 | 315 A/3* | 400 A/3 |
| | | 660V | 250 A/3 | 315 A/4* | 400 A/4* |
| | | 750V | 230 A/4 | 315 A/4* | 400 A/4* |
| Rated operational power AC-23 ²⁾ | The kW-ratings are accurate for three-phase 1500 R.P.M standard asynchronous motors. | 230 V | 75 kW | 100 kW | 110 kW |
| | | 400 V/415 V | 132/140 kW | 170/180 kW | 220/230 kW |
| | | 500 V/690 V | 170/240 kW | 220/295 kW | 280/335 kW |
| Rated breaking capacity in category AC-23 | | up to 690 V | 2000 A | 3200 A | 3200 A |
| Rated conditional short-circuit current I _q (r.m.s.) and corresponding max. allowed cut-off current İ _c . The cut-off current İ _c refers to values listed by fuse manufacturers ⁹⁾ (single phase test acc. to IEC60269) | I _q 65 kA, 500V | Max allowed İ _c Max OFA_ fuse size gG/aM | 32,5 kA 250/- A | | 40,5 kA 400/- A |
| | I _q 100 kA, 500 V | Max allowed İ _c Max OFA_ fuse size gG/aM | 37,5 kA 250/250 A ⁷⁾ | | 63,5 kA 500/500 A ^{7) 8)} |
| | I _q 50 kA, 690 V | Max allowed İ _c Max OFA_ fuse size gG/aM | 29,5 kA 250/- A | | 32 kA 355/- A |
| | I _q 80 kA, 690 V | Max allowed İ _c Max OFA_ fuse size gG/aM | 32,5 kA 200/250 A ⁷⁾ | | 38 kA 355/400 A ⁷⁾ |
| | I _q 50 kA, 415 V | Max allowed İ _c Max BS fuse size gG/gM | 26 kA 250/- A | 28 kA 315/- A | 34 kA 400/- A |
| | I _q 80 kA, 415 V | Max allowed İ _c Max BS fuse size gG/gM | 30 kA 250/200M250 A ⁷⁾ | 50 kA 400/400M500 A ⁷⁾ | 50 kA 400/400M500 A ⁷⁾ |
| | I _q 50 kA, 690 V | Max allowed İ _c Max BS fuse size gG/gM | 28 kA 250/- A | 30 kA 315/- A | 38 kA 400/- A |
| | I _q 80 kA, 690 V | Max allowed İ _c Max BS fuse size gG/gM | 28 kA 250/200M250 A ⁷⁾ | 48 kA 400/400M450 A ⁷⁾ | 48 kA 400/400M450 A ⁷⁾ |
| Rated short-time withstand current, 1s. | r.m.s. -value | | 8 kA | 14 kA | 14 kA |
| | Max. distance from switch frame to nearest busbar/cable support | | 150 mm | 150 mm | 150 mm |
| Rated capacitor power when no initial charge of the capacitor | The capacitor ratings of the switch-fuses are limited by the fuse links | | 400 V/415 V 690 V | | |
| Mechanical endurance | Divide by two for operation cycles | | 20 000 Oper. | 16 000 Oper. | 16 000 Oper. |
| Fuse types, IEC 60269-2 | DIN 43620 | | 0-1 ⁹⁾ | | 0-2 ¹⁰⁾ |
| | BS 88-2, -6 Size / distance of fuse-link bolts | | B1-B3 ³⁾ M8/111 mm | B1-B4 ⁴⁾ M8/111 mm | B1-B4 ⁴⁾ M8/111 mm |
| Terminal tightening torque | Counter torque required | | M8:15-22 Nm ⁵⁾ , M10:30-44 Nm | M8:15-22 Nm ⁵⁾ , M10:30-44 Nm | M8:15-22 Nm ⁵⁾ , M10:30-44 Nm |
| Fuse-links bolts tightening torque | | BB | 5 Nm | 20 Nm | 20 Nm |
| | | LR | 5 Nm | 20 Nm | 20 Nm |
| Operating torque | Typical for 3 and 4-pole switch | | 7 Nm | 19 Nm | 19 Nm |

¹⁾ = Utilization category B.

²⁾ Acc. to IEC 60947-1, § 6.1.1. Minimum ambient temperature -5°C. Category B: -5°C...-35°C.

³⁾ Some fuse links limit these figures further. Starting current characteristics must be considered separately.

⁴⁾ Max fuse body diam 52 mm.

⁵⁾ Max fuse body diam 62 mm.

⁶⁾ Side terminals tightening torque max 15 Nm.

⁷⁾ BS fuse manufacturers covered by this table ABB, MEM, Bussmann, GEC.

⁸⁾ 3-poles type only.

⁹⁾ Plug in types: fuse size gG/aM: 400/400.

¹⁰⁾ Max. allowed knife dimension h is 21 mm.

¹¹⁾ Max. allowed knife dimension h is 27 mm.

Motorized switch fuses, IEC

Technical data for motor operators OSM32...250

Technical data for motor operators OSM according to IEC 60947

| Switch type | | | 32...63 | 100...160 | 200...250 |
|---|--|-------------------|---------------------------|---------------------------|---------------------------|
| Rated operational voltage U_e | Pollution degree 3 | 50/60 Hz | | 220 - 240 V AC | 220 - 240 V AC |
| Operating voltage range | | | 0.85 - 1.1 x U_e | 0.85 - 1.1 x U_e | 0.85 - 1.1 x U_e |
| Operating time ¹⁾ | 90° I - 0, 0 - I | 220-240VAC | 0.5 - 1.0 s | 0.5 - 1.0 s | 0.5 - 1.0 s |
| Nominal current I_n ¹⁾ | | 220-240VAC | 0.3 A | 0.3 A | 0.3 A |
| Current Inrush ¹⁾ | | 220-240VAC | 1.5 A | 1.5 A | 1.5 A |
| Overload fuse | Type / I_n / Capacity | 220-240VAC | T / 315 mA / H | T / 315 mA / H | T / 315 mA / H |
| | Size | | 5x20 mm | 5x20 mm | 5x20 mm |
| Operating rate | Cycle 0-I-0 | | | | |
| | Max. continuous | 220-240VAC | 1 cycles / min | 1 cycles / min | 1 cycles / min |
| | Max. short-time ≤ 10 cycles | 220-240VAC | 10 cycles / min | 10 cycles / min | 10 cycles / min |
| Overvoltage category | | | III | III | III |
| Rated impulse withstand voltage U_{imp} | | | 4 kV | 4 kV | 4 kV |
| Dielectric strength | | 50 Hz 1 min. | 1.5 kV | 1.5 kV | 1.5 kV |
| Impulse command | | Min. impulse | | | |
| | | duration | | 100 ms | 100 ms |
| Terminals | Voltage supply wiring for U_e | | PE - N - L | PE - N - L | PE - N - L |
| | Cross section | solid/stranded | 1.5 - 2.5 mm ² | 1.5 - 2.5 mm ² | 1.5 - 2.5 mm ² |
| | Short-circuit protection device | max.fuse size | 16 A | 16 A | 16 A |
| | Push-button control | C - I - O | no SELV | no SELV | no SELV |
| | Cross section | solid/stranded | 1.5 - 2.5 mm ² | 1.5 - 2.5 mm ² | 1.5 - 2.5 mm ² |
| | Maximum cable length | | 100 m | 100 m | 100 m |
| State information of locking | | | no SELV | no SELV | no SELV |
| | Handle attached or motor operator locked | 11-12-14 (C/O) | 5A/250V cos ϕ =1 | 5A/250V cos ϕ =1 | 5A/250V cos ϕ =1 |
| | Locking motor operator | 23-24 (NO) | 5A/250V cos ϕ =1 | 5A/250V cos ϕ =1 | 5A/250V cos ϕ =1 |
| | Short-circuit protection device | MCB type and size | C/2A | C/2A | C/2A |
| Protection degree | | | IP20 | IP20 | IP20 |
| Operating temperature | | | -25...+55 °C | -25...+55 °C | -25...+55 °C |
| Transportation and storage temperature | | | -40...+70 °C | -40...+70 °C | -40...+70 °C |
| Max. altitude | | | 2000 m | 2000 m | 2000 m |

¹⁾ Under nominal conditions.

Motorized switch fuses, IEC

Technical data for motor operators OSM315...1250

Technical data for motor operators OSM according to IEC 60947

| Switch type | | | 315...400 | 630...800 | 1250 |
|---|--|-------------------|---------------------------|---------------------------|---------------------------|
| Rated operational voltage U_e | Pollution degree 3 | 50/60 Hz | 220 - 240 V AC | 220 - 240 V AC | 220 - 240 V AC |
| Operating voltage range | | | 0.85 - 1.1 x U_e | 0.85 - 1.1 x U_e | 0.85 - 1.1 x U_e |
| Operating time ¹⁾ | 90° I - 0, 0 - I | 220-240VAC | 0.5 - 1.2 s | 0.5 - 1.5 s | 0.8 - 2.0 s |
| Nominal current I_n ¹⁾ | | 220-240VAC | 0.5 A | 0.9 A | 1.4 A |
| Current Inrush ¹⁾ | | 220-240VAC | 2.5 A | 4 A | 10 A |
| Overload fuse | Type / I_n / Capacity | 220-240VAC | T / 500 mA/ H | T / 1000 mA/ H | T / 2000 mA/ H |
| | Size | | 5x20 mm | 5x20 mm | 5x20 mm |
| Operating rate | Cycle 0 - I - 0 | | | | |
| | Max. continuous | 220-240VAC | 1 cycles / min | 1 cycles / min | 0.5 cycles / min |
| | Max. short-time ≤ 10 cycles | 220-240VAC | 10 cycles / min | 10 cycles / min | 5 cycles / min |
| Overvoltage category | | | III | III | |
| Rated impulse withstand voltage U_{imp} | | | 4 kV | 4 kV | |
| Dielectric strength | | 50 Hz 1 min. | 1.5 kV | 1.5 kV | |
| Impulse command | | Min. impulse | | | |
| | | duration | 100 ms | 100 ms | |
| Terminals | Voltage supply wiring for U_e | | PE - N - L | PE - N - L | |
| | Cross section | solid/stranded | 1.5 - 2.5 mm ² | 1.5 - 2.5 mm ² | 1.5 - 2.5 mm ² |
| | Short-circuit protection device | max.fuse size | 16 A | 16 A | 16 A |
| | Push-button control | C - I - O | no SELV | no SELV | no SELV |
| | Maximum cable length | | 100 m | 100 m | 100 m |
| State information of locking | | | no SELV | no SELV | no SELV |
| | Handle attached or motor operator locked | 11-12-14 (C/O) | 5A/250V cos ϕ =1 | 5A/250V cos ϕ =1 | 5A/250V cos ϕ =1 |
| | Locking motor operator | 23-24 (NO) | 5A/250V cos ϕ =1 | 5A/250V cos ϕ =1 | 5A/250V cos ϕ =1 |
| | Short-circuit protection device | MCB type and size | C/2A | C/2A | C/2A |
| Protection degree | | | IP20 | IP20 | IP20 |
| Operating temperature | | | -25...+55 °C | -25...+55 °C | -25...+55 °C |
| Transportation and storage temperature | | | -40...+70 °C | -40...+70 °C | -40...+70 °C |
| Max. altitude | | | 2000 m | 2000 m | 2000 m |

¹⁾ Under nominal conditions.

Fusible disconnect switches, UL/CSA

Technical data for OS30...200

| | OS Mini 30 | OS_60G | OS_100G | OS_200 |
|-------------------------|------------------|------------------|------------------|------------------|
| Approvals ¹⁾ | - | UL98, IEC 2 pole | UL98, IEC 2 pole | UL98, IEC 2 pole |
| | UL98, IEC 3 pole | UL98, IEC 3 pole | UL98, IEC 3 pole | UL98, IEC 3 pole |
| | UL98, IEC 4 pole | UL98, IEC 4 pole | UL98, IEC 4 pole | UL98, IEC 4 pole |

Technical data according to UL/CSA

| General purpose amp rating | pf= 0.7...0.8 | up to 40°C | 30 A | 60 A | 100 A | 200 A |
|--|--------------------------------|------------------|---------------|---------------------------|--------------|----------------|
| Max. operating voltage | | | 600 VAC | 600 VAC | 600 VAC | 600 VAC |
| | | | 250 VDC | 250 VDC | 250 VDC | 250 VDC |
| Max. horsepower rating/ motor FLA current | pf= 0.4...0.5 Three phase | 240 V | 7.5 HP/22.0 A | 15 HP/42.0 A | 30 HP/80.0 A | 60 HP/154.0 A |
| | | 480 V | 15 HP/21.0 A | 30 HP/40.0 A | 60 HP/77.0 A | 125 HP/156.0 A |
| | | 600 V | 20 HP/22.0 A | 50 HP/52.0 A | 75 HP/77.0 A | 150 HP/144.0 A |
| | Single phase | 120 V | 2 HP/24.0 A | | | |
| | | 240 V | 3 HP/17.0 A | | | |
| Short circuit rating with fuse, 3 and 4-pole types | Short circuit rating at 600VAC | | 200 kA | 200 kA | 200 kA | 200 kA |
| Fuse | Max. fuse rating | | 30 A | 60 A | 100 A | 200 A |
| | Type of fuse | | J/CC | J | J | J |
| Min. electrical endurance | pf= 0.75...0.8 | operation cycles | 6 000 | 6 000 | 6 000 | 6 000 |
| Terminal lug kits | | | Integral | Integral | OZXA-24 | OZXA-200 |
| Wire range | | | #18-8 AWG | #14-4 AWG | #14-2/0 AWG | #4-300 MCM |
| Torque | Wire tightening | | 17 lb.in | 30/35 lb.in ³⁾ | 120 lb.in | 200 lb.in |
| | Lug mounting | | N/A | N/A | 50 lb.in | 72 lb.in |

Technical data according to IEC 60947-3

| | | | | | | | |
|--|--|-------------|---------------------------|--------------------------|---------------------|--------------------|--------|
| Rated insulation voltage | Pollution degree 3 | 50 Hz 1min. | 1 000 V | 1 000 V | 1 000 V | 1 000 V | |
| Dielectric strength | | | 10 kV | 10 kV | 10 kV | 10 kV | |
| Rated impulse withstand voltage | | | 12 kV | | | 12 kV | |
| Rated thermal current in ambient 40 °C / max. fuse power dissipation ¹⁾ ...with minimum cable cross section | In open air | | 32 A/3.5 W | 63 A/7.5 W | 160 A/12 W | 200 A/17 W | |
| | In enclosure | | 32 A/33.5 W | 63 A/7.5 W | 160 A/10,135 A/12 W | 200 A/15 W | |
| | | Cu | 6 mm ² | 16 mm ² | 70 mm ² | 95 mm ² | |
| Derating, mounting on wall horizontal fuses | In open air or ventilated enclosure | | 0 % | 0 % | 0 % | 0 % | |
| | Totally enclosed | | 5 % | 5 % | 5 % | 5 % | |
| Derating, mounting on ceiling | | | 10 % | 10 % | 10 % | 10 % | |
| Derating at 60 °C | In open air / in enclosure | | 20/20 % | 20/20 % | 20/20 % | 20/20 % | |
| Power loss / pole | With rated current, without fuse | | 2 W | 4 W | 9 W | 8 W | |
| Rated operational current AC-23A | Up to 500 V | | 32 A | 63 A | 160 A | 200 A | |
| | 690 V | | 32 A | 63 A | 160 A | 200 A | |
| Rated operational power AC-23 ²⁾ | The kW-ratings are accurate for three-phase 1500 R.P.M standard asynchronous motors. | | 230 V | 7.5 kW | 18.5 kW | 45 kW | 60 kW |
| | | | 400 V | 15 kW | 30 kW | 75 kW | 110 kW |
| | | | 415 V | 15 kW | 30 kW | 75 kW | 110 kW |
| | | | 500 V | 18.5 kW | 37 kW | 90 kW | 132 kW |
| | | | 690 V | 22 kW | 55 kW | 132 kW | 200 kW |
| Rated breaking capacity in category AC-23 | up to 500 V | | 256 A | 504 A | 1280 A | 1600 A | |
| | 690 V | | 256 A | 504 A | 1280 A | 1600 A | |
| Rated short-time withstand current, 1s. | r.m.s. -value | | 1 kA | 2.5 kA | 5 kA | 8 kA | |
| Built-in terminal size | | Cu | 0.75...10 mm ² | 2.5...25 mm ² | | | |
| Fuse-links bolts tightening torque | | | | | 4 Nm | 4 Nm | |

¹⁾ UL listed disconnects are also listed under CSA requirements.

²⁾ Acc. to IEC 60947-1, § 6.1.1. Minimum ambient temperature -5°C. Category B: -5°C...-35°C.

³⁾ Some fuse links limit these figures further. Starting current characteristics must be considered separately.

³⁾ 30 lb.in with cable size #14-10, 35 lb.in with cable size #8-4.tw

Fusible disconnect switches, UL/CSA

Technical data for OS400...1200

| | OS400 | OS600 | OS800 | OS1200 |
|-------------------------|------------------|------------------|------------------|------------------|
| Approvals ¹⁾ | UL98, IEC 2 pole | UL98, IEC 2 pole | UL98, IEC 2 pole | UL98, IEC 2 pole |
| | UL98, IEC 3 pole | UL98, IEC 3 pole | UL98, IEC 3 pole | UL98, IEC 3 pole |
| | UL98, IEC 4 pole | UL98, IEC 4 pole | UL98, IEC 4 pole | UL98, IEC 4 pole |

Technical data according to UL/CSA

| | | | | | | |
|--|--------------------------------|------------------|------------------|----------------|----------------|--------------|
| General purpose amp rating | pf= 0.7...0.8 | up to 40°C | 400 A | 600 A | 800 A | 1200 A |
| Max. operating voltage | | | 600 VAC | 600 VAC | 600 VAC | 600 VAC |
| | | | 250 VDC | 250 VDC | 250 VDC | 250 VDC |
| Max. horsepower rating/ motor FLA current | pf= 0.4...0.5 Three phase | 240 V | 125.0 HP/312.0 A | 200 HP/480.0 A | 250 HP/602.0 A | |
| | | 480 V | 250.0 HP/302.0 A | 400 HP/477.0 A | 500 HP/590.0 A | |
| | | 600 V | 350.0 HP/336.0 A | 500 HP/472.0 A | 500 HP/472.0 A | |
| | Single phase | 120 V | | | | |
| | | 240 V | | | | |
| Short circuit rating with fuse, 3 and 4-pole types | Short circuit rating at 600VAC | | 200 kA | 200 kA | 200 kA | 200 kA |
| Fuse | Max. fuse rating | | 400 A | 600 A | 800 A | 1200 A |
| | Type of fuse | | J | J | L | L |
| Min. electrical endurance | pf= 0.75...0.8 | operation cycles | 1000 | 1000 | 500 | 500 |
| Terminal lug kits | | | OZXA-400 | OZXA-800 | OZXA-800 | OZXA-1200 |
| Wire range | | | #2-600MCM | (2)#2-600MCM | (2)#2-600MCM | (4)#2-600MCM |
| Torque | Wire tightening | | 375 lb.in | 500 lb.in | 500 lb.in | 500 lb.in |
| | Lug mounting | | 240 lb.in | 480 lb.in | 480 lb.in | 480 lb.in |

Technical data according to IEC 60947-3

| | | | | | | |
|--|--|-------------|---------------------|-----------------------|-----------------------|-----------------------|
| Rated insulation voltage | Pollution degree 3 | 50 Hz 1min. | 1 000 V | 1 000 V | 1 000 V | 1 000 V |
| Dielectric strength | | | 10 kV | 10 kV | 10 kV | 10 kV |
| Rated impulse withstand voltage | | | 12 kV | 12 kV | 12 kV | 12 kV |
| Rated thermal current in ambient 40 °C / max. fuse power dissipation ¹⁾ ...with minimum cable cross section | In open air | | 400 A/45 W | 630 A/60 W | 800 A/65 W | 1250 A/110 W |
| | In enclosure | | 400 A/30 W | 570 A/50 W | 720 A/55 W | 1000 A/85 W |
| | | Cu | 240 mm ² | 2x185 mm ² | 2x240 mm ² | 2x400 mm ² |
| Derating, mounting on wall horizontal fuses | In open air or ventilated enclosure | | 0 % | 0 % | 4 % | 4 % |
| | Totally enclosed | | 5 % | 5 % | 8 % | 8 % |
| Derating, mounting on ceiling | | | 10 % | 10 % | 10 % | 10 % |
| Derating at 60 °C | In open air / in enclosure | | 20/20 % | 20/20 % | 20/20 % | 20/20 % |
| Power loss / pole | With rated current, without fuse | | 30 W | 46 W | 75 W | 75 W |
| Rated operational current AC-23A | | Up to 500 V | 400 A | 630 A | 800 A | 1000 A ³⁾ |
| | | 690 V | 400 A | 630 A | 800 A | 1000 A ³⁾ |
| Rated operational power AC-23 ²⁾ | The kW-ratings are accurate for three-phase 1500 R.P.M standard asynchronous motors. | 230 V | 132 kW | 200 kW | 250 kW | 315 kW ³⁾ |
| | | 400 V | 220 kW | 355 kW | 450 kW | 560 kW ³⁾ |
| | | 415 V | 230 kW | 355 kW | 450 kW | 560 kW ³⁾ |
| | | 500 V | 280 kW | 450 kW | 560 kW | 710 kW ³⁾ |
| | | 690 V | 400 kW | 630 kW | 710 kW | 1000 kW ³⁾ |
| | | | | | | |
| Rated breaking capacity in category AC-23 | | up to 500 V | 3200 A | 6400 A | 6400 A | 8000 A |
| | | 690 V | 3200 A | 6400 A | 6400 A | 8000 A |
| Rated short-time withstand current, 1s. | r.m.s. -value | | 14 kA | 20 kA | 20 kA | |
| Built-in terminal size | | Cu | | | | |
| Fuse-links bolts tightening torque | | | 20 Nm | 40 Nm | 40 Nm | 40 Nm |

¹⁾ UL listed disconnects are also listed under CSA requirements.

²⁾ Acc. to IEC 60947-1, § 6.1.1. Minimum ambient temperature -5°C. Category B: -5°C...-35°C.

³⁾ Some fuse links limit these figures further. Starting current characteristics must be considered separately.

³⁾ Utilization category B.



200 kg

Switch fuses

Ordering information

| | |
|-------------------------------------|----|
| Switch fuses DIN type | 27 |
| Switch fuses BS type | 43 |
| Switch fuses NFC type | 63 |
| Fusible disconnect switches, UL/CSA | 67 |
| Selection overview | 77 |
| Accessories | 83 |



Switch fuses DIN type

Ordering information

| | |
|---|----|
| Manual operated switch fuses, 32...40 A | 29 |
| Manual operated switch fuses, 63 A | 30 |
| Manual operated switch fuses, 125 A | 31 |
| Manual operated switch fuses, 160 A | 32 |
| Manual operated switch fuses, 200 A | 33 |
| Manual operated switch fuses, 250 A | 34 |
| Manual operated switch fuses, 400 A | 35 |
| Manual operated switch fuses, 630 A | 36 |
| Manual operated switch fuses, 800 A | 37 |
| Manual operated switch fuses, 1250 A | 38 |
| Special connected switch fuses, 125...160 A | 39 |
| Special connected switch fuses, 200...400 A | 40 |
| Motorized switch fuses, 32...1250 A | 41 |

Manual operated switch fuses, IEC

Ordering information for DIN-type, 32...40 A



OS32...63GD02P



OS32...63GD04N2P



OS32...63GD03K



OS32...63GD04N2K



OS32...63GDS30K



OS32...63GDS40N2K

Manual operated switch fuses, DIN-type, 32...40 A

Protected tunnel terminals, IP20. Mechanism located between the poles. The handles are IP65 protected, padlockable in the OFF-position and with door interlock in the ON-position.

G = Gamma range switch fuses from 32 to 160 Amperes

F = OS Mini range switch fuses 40 Amperes

N2 = Non-fused switched neutral on the right side

F = Fused switched neutral

Front operated

| Rated current [A] | Fuse size | Number of poles | Type | Order number |
|--|-----------|-----------------|-----------------|-----------------|
| Shaft and handle not included | | | | |
| 32 | 000 | 2 | OS32GD02 | 1SCA116776R1001 |
| 32 | 000 | 3 | OS32GD03 | 1SCA115188R1001 |
| 32 | 000 | 4 | OS32GD04N2 | 1SCA115192R1001 |
| 32 | 000 | 4 | OS32GD04F | 1SCA115195R1001 |
| 40 | 000 | 3 | OS40FD12000-2 | 1SCA108921R1001 |
| 40 | 000 | 4 | OS40FD22000N1-2 | 1SCA108940R1001 |
| With 161 mm shaft and external handle OHB45J6 | | | | |
| 32 | 000 | 2 | OS32GD02P | 1SCA116714R1001 |
| 32 | 000 | 3 | OS32GD03P | 1SCA115189R1001 |
| 32 | 000 | 4 | OS32GD04N2P | 1SCA115193R1001 |
| 32 | 000 | 4 | OS32GD04FP | 1SCA115196R1001 |
| With 150 mm shaft and external handle OHB65J6 | | | | |
| 40 | 000 | 3 | OS40FD12000 | 1SCA108914R1001 |
| 40 | 000 | 4 | OS40FD22000N1 | 1SCA108938R1001 |
| With direct mount handle OSV200BK | | | | |
| 32 | 000 | 2 | OS32GD02K | 1SCA122905R1001 |
| 32 | 000 | 3 | OS32GD03K | 1SCA116733R1001 |
| 32 | 000 | 4 | OS32GD04N2K | 1SCA116734R1001 |
| 32 | 000 | 4 | OS32GD04FK | 1SCA116737R1001 |

Side operated

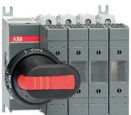
| Rated current [A] | Fuse size | Number of poles | Type | Order number |
|---|-----------|-----------------|----------------|-----------------|
| Shaft and handle not included | | | | |
| 32 | 000 | 3 | OS32GDS30 | 1SCA115963R1001 |
| 32 | 000 | 4 | OS32GDS40N2 | 1SCA116046R1001 |
| 32 | 000 | 4 | OS32GDS40F | 1SCA116755R1001 |
| 40 | 000 | 3 | OS40FDS30000-2 | 1SCA108945R1001 |
| With 70 mm shaft and external handle OHB65J6 | | | | |
| 40 | 000 | 3 | OS40FDS30000 | 1SCA108942R1001 |
| 40 | 000 | 4 | OS40FDS40000N1 | 1SCA108954R1001 |
| With direct mount handle OHB65D6 | | | | |
| 32 | 000 | 3 | OS32GDS30K | 1SCA115929R1001 |
| 32 | 000 | 4 | OS32GDS40N2K | 1SCA116402R1001 |

Manual operated switch fuses, IEC

Ordering information for DIN-type, 63 A



OS32...63GD02P



OS32...63GD04N2P



OS32...63GD03K



OS32...63GD04N2K



OS32...63GDS30K



OS32...63GDS40N2K

Manual operated switch fuses, DIN-type, 63 A

Protected tunnel terminals, IP20. Mechanism located between the poles. The handles are IP65 protected, padlockable in the OFF-position and with door interlock in the ON-position.

G = Gamma range switch fuses from 32 to 160 Amperes

N2 = Non-fused switched neutral on the right side

F = Fused switched neutral

Front operated

| Rated current [A] | Fuse size | Number of poles | Type | Order number |
|--|-----------|-----------------|-------------|-----------------|
| Shaft and handle not included | | | | |
| 63 | 000 | 2 | OS63GD02 | 1SCA116777R1001 |
| 63 | 000 | 3 | OS63GD03 | 1SCA115206R1001 |
| 63 | 000 | 4 | OS63GD04N2 | 1SCA115208R1001 |
| 63 | 000 | 4 | OS63GD04F | 1SCA115225R1001 |
| With 161 mm shaft and external handle OHB45J6 | | | | |
| 63 | 000 | 2 | OS63GD02P | 1SCA116715R1001 |
| 63 | 000 | 3 | OS63GD03P | 1SCA115207R1001 |
| 63 | 000 | 4 | OS63GD04N2P | 1SCA115209R1001 |
| 63 | 000 | 4 | OS63GD04FP | 1SCA115228R1001 |
| With direct mount handle OSV200BK | | | | |
| 63 | 000 | 2 | OS63GD02K | 1SCA122906R1001 |
| 63 | 000 | 3 | OS63GD03K | 1SCA116738R1001 |
| 63 | 000 | 4 | OS63GD04N2K | 1SCA116876R1001 |
| 63 | 000 | 4 | OS63GD04FK | 1SCA116739R1001 |

Side operated

| Shaft and handle not included | | | | |
|---|-----|---|--------------|-----------------|
| 63 | 000 | 3 | OS63GDS30 | 1SCA116007R1001 |
| 63 | 000 | 4 | OS63GDS40N2 | 1SCA116047R1001 |
| 63 | 000 | 4 | OS63GDS40F | 1SCA116877R1001 |
| With direct mount handle OHB65D6 | | | | |
| 63 | 000 | 3 | OS63GDS30K | 1SCA115931R1001 |
| 63 | 000 | 4 | OS63GDS40N2K | 1SCA116403R1001 |

Manual operated switch fuses, IEC

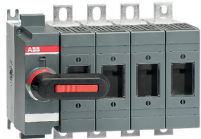
Ordering information for DIN-type, 125 A



OS125...160GD03P



OS125...160GD03K



OS125...160GD04FK



OS125...160GDS40N2K

Manual operated switch fuses, DIN-type, 125 A

Including terminal bolt set M8X25. The handles are IP65 protected, padlockable in the OFF-position and with door interlock in the ON-position.

G = Gamma range switch fuses from 32 to 160 Amperes

F = Fused switches neutral

N2 = Non-fused switched neutral on the right side

Front operated

| Rated current [A] | Fuse size | Number of poles | Type | Order number |
|--|-----------|-----------------|--------------|-----------------|
| Shaft and handle not included | | | | |
| 125 | 000, 00 | 2 | OS125GD02 | 1SCA116873R1001 |
| 125 | 000, 00 | 3 | OS125GD03 | 1SCA115638R1001 |
| 125 | 000, 00 | 4 | OS125GD04N2 | 1SCA115876R1001 |
| 125 | 000, 00 | 4 | OS125GD04F | 1SCA115685R1001 |
| With 161 mm shaft and external handle OHB65J6 | | | | |
| 125 | 000, 00 | 2 | OS125GD02P | 1SCA116716R1001 |
| 125 | 000, 00 | 3 | OS125GD03P | 1SCA115639R1001 |
| 125 | 000, 00 | 4 | OS125GD04N2P | 1SCA115877R1001 |
| 125 | 000, 00 | 4 | OS125GD04FP | 1SCA115686R1001 |
| With direct mount handle OSV200BK | | | | |
| 125 | 000, 00 | 2 | OS125GD02K | 1SCA122908R1001 |
| 125 | 000, 00 | 3 | OS125GD03K | 1SCA116878R1001 |
| 125 | 000, 00 | 4 | OS125GD04N2K | 1SCA116740R1001 |
| 125 | 000, 00 | 4 | OS125GD04FK | 1SCA116741R1001 |

Side operated

| Rated current [A] | Fuse size | Number of poles | Type | Order number |
|---|-----------|-----------------|---------------|-----------------|
| Shaft and handle not included | | | | |
| 125 | 000, 00 | 3 | OS125GDS30 | 1SCA115966R1001 |
| 125 | 000, 00 | 4 | OS125GDS40N2 | 1SCA115967R1001 |
| 125 | 000, 00 | 4 | OS125GDS40F | 1SCA116756R1001 |
| With direct mount handle OHB65D6 | | | | |
| 125 | 000, 00 | 3 | OS125GDS30K | 1SCA115933R1001 |
| 125 | 000, 00 | 4 | OS125GDS40N2K | 1SCA115934R1001 |

Recommended accessories: Shrouds

Snap-on mounting, grey plastic, IP 3X from front. Transparent shrouds available on request. For more details see page 86.

| Suitable for switches | Description | Number of poles | Type | Order number |
|-----------------------|-------------|-----------------|--------------|-----------------|
| OS/OSM100G...160G | Long type | 3 | OSS160GG1L/3 | 1SCA114764R1001 |
| OS/OSM100G...160G | Short type | 3 | OSS160GG1S/3 | 1SCA114766R1001 |
| OS/OSM100G...160G | Long type | 4 | OSS160GG1L/4 | 1SCA114765R1001 |
| OS/OSM100G...160G | Short type | 4 | OSS160GG1S/4 | 1SCA114767R1001 |

Manual operated switch fuses, IEC

Ordering information for DIN-type, 160 A



OS125...160GD03P



OS125...160GD03K



OS125...160GD04FK



OS125...160GDS40N2K

Manual operated switch fuses, DIN-type, 160 A

Protected tunnel terminals, IP20. Mechanism located between the poles. The handles are IP65 protected, padlockable in the OFF-position and with door interlock in the ON-position.

G = Gamma range switch fuses from 32 to 160 Amperes

N2 = Non-fused switched neutral on the right side

F = Fused switched neutral

Front operated

| Rated current [A] | Fuse size | Number of poles | Type | Order number |
|--|-----------|-----------------|--------------|-----------------|
| Shaft and handle not included | | | | |
| 160A | 000, 00 | 2 | OS160GD02 | 1SCA116778R1001 |
| 160A | 000, 00 | 3 | OS160GD03 | 1SCA114221R1001 |
| 160A | 000, 00 | 4 | OS160GD04N2 | 1SCA115881R1001 |
| 160A | 000, 00 | 4 | OS160GD04F | 1SCA115401R1001 |
| With 161 mm shaft and external handle OHB65J6 | | | | |
| 160A | 000, 00 | 2 | OS160GD02P | 1SCA116717R1001 |
| 160A | 000, 00 | 3 | OS160GD03P | 1SCA115399R1001 |
| 160A | 000, 00 | 4 | OS160GD04N2P | 1SCA115882R1001 |
| 160A | 000, 00 | 4 | OS160GD04FP | 1SCA115402R1001 |
| With direct mount handle OSV200BK | | | | |
| 160A | 000, 00 | 2 | OS160GD02K | 1SCA122910R1001 |
| 160A | 000, 00 | 3 | OS160GD03K | 1SCA116742R1001 |
| 160A | 000, 00 | 4 | OS160GD04N2K | 1SCA116743R1001 |
| 160A | 000, 00 | 4 | OS160GD04FK | 1SCA116880R1001 |

Side operated

| Shaft and handle not included | | | | |
|---|---------|---|---------------|-----------------|
| 160A | 000, 00 | 3 | OS160GDS30 | 1SCA115968R1001 |
| 160A | 000, 00 | 4 | OS160GDS40N2 | 1SCA115969R1001 |
| 160A | 000, 00 | 4 | OS160GDS40F | 1SCA116757R1001 |
| With direct mount handle OHB65D6 | | | | |
| 160A | 000, 00 | 3 | OS160GDS30K | 1SCA115935R1001 |
| 160A | 000, 00 | 4 | OS160GDS40N2K | 1SCA115939R1001 |

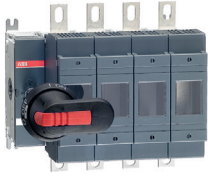
Recommended accessories: Shrouds

Snap-on mounting, grey plastic, IP 3X from front. Transparent shrouds available on request. For more details see page 86.

| Suitable for switches | Description | Number of poles | Type | Order number |
|-----------------------|-------------|-----------------|--------------|-----------------|
| OS/OSM100G...160G | Long type | 3 | OSS160GG1L/3 | 1SCA114764R1001 |
| OS/OSM100G...160G | Short type | 3 | OSS160GG1S/3 | 1SCA114766R1001 |
| OS/OSM100G...160G | Long type | 4 | OSS160GG1L/4 | 1SCA114765R1001 |
| OS/OSM100G...160G | Short type | 4 | OSS160GG1S/4 | 1SCA114767R1001 |

Manual operated switch fuses, IEC

Ordering information for DIN-type, 200 A



OS200DZ04N2P



OS200...250D03N3P



OS200...250D02P



OS200...250D03K



OS200...250DS40FK



OSS200G1L



OSS200G1S

Manual operated switch fuses, DIN-type, 200 A

Including terminal bolt set M8X25. Mechanism located at the end of the switch. The handles are IP65 protected, padlockable in the OFF-position and with door interlock in the ON-position.

F = Fuse switched neutral

N2 = Non-fused switched neutral on the right side

Front operated

| Rated current [A] | Fuse size | Number of poles | Type | Order number |
|--|-----------|-----------------|--------------|-----------------|
| Shaft and handle not included | | | | |
| 200 | 0 | 2 | OS200D02 | 1SCA022759R9140 |
| 200 | 0 | 3 | OS200D03 | 1SCA022715R2240 |
| 200 | 00 | 3 | OS200DZ03 | 1SCA022797R3520 |
| 200 | 0 | 4 | OS200D04N2 | 1SCA022717R3670 |
| 200 | 0 | 4 | OS200D04F | 1SCA022725R8230 |
| 200 | 00 | 4 | OS200DZ04N2 | 1SCA022819R4110 |
| With 161 mm shaft and external handle OHB65J6 | | | | |
| 200 | 0 | 2 | OS200D02P | 1SCA022759R9220 |
| 200 | 0 | 3 | OS200D03P | 1SCA022709R9500 |
| 200 | 00 | 3 | OS200DZ03P | 1SCA022797R3440 |
| 200 | 0 | 4 | OS200D04N2P | 1SCA022709R9680 |
| 200 | 0 | 4 | OS200D04FP | 1SCA022725R4750 |
| 200 | 00 | 4 | OS200DZ04N2P | 1SCA022820R9230 |
| With direct mount handle OSV200BK | | | | |
| 200 | 0 | 3 | OS200D03K | 1SCA022764R7130 |
| 200 | 0 | 4 | OS200D04N2K | 1SCA022768R7430 |
| 200 | 0 | 4 | OS200D04FK | 1SCA022783R1220 |

Side operated

| Rated current [A] | Fuse size | Number of poles | Type | Order number |
|---|-----------|-----------------|--------------|-----------------|
| Shaft and handle not included | | | | |
| 200 | 0 | 3 | OS200DS30 | 1SCA022871R1370 |
| 200 | 0 | 4 | OS200DS40N2 | 1SCA022871R1700 |
| 200 | 0 | 4 | OS200DS40F | 1SCA022871R1530 |
| With direct mount handle OHB65D6 | | | | |
| 200 | 0 | 3 | OS200DS30K | 1SCA022871R1450 |
| 200 | 0 | 4 | OS200DS40N2K | 1SCA022871R1880 |
| 200 | 0 | 4 | OS200DS40FK | 1SCA022871R1610 |

Recommended accessories: Shrouds

Snap-on mounting, grey plastic, IP 3X from front. Transparent shrouds available on request. For more details see page 86.

| Suitable for switches | Description | Number of poles | Type | Order number |
|-----------------------|-------------|-----------------|-------------|-----------------|
| OS/OSM200 | Long type | 3 | OSS200G1L/3 | 1SCA022731R8910 |
| OS/OSM200 | Short type | 3 | OSS200G1S/3 | 1SCA022732R0130 |
| OS/OSM200 | Long type | 4 | OSS200G1L/4 | 1SCA022731R9040 |
| OS/OSM200 | Short type | 4 | OSS200G1S/4 | 1SCA022732R0050 |

Manual operated switch fuses, IEC

Ordering information for DIN-type, 250 A



OS200...250D03N3P



OS200...250D02P



OS200...250D03K



OS200...250DS40FK



OSS250G1L

Manual operated switch fuses, DIN-type, 250 A

Including terminal bolt set M10X30. The handles are IP65 protected, padlockable in the OFF-position and with door interlock in the ON-position.

F = Fused switched neutral

N2 = Non-fused switched neutral on the right side

Front operated

| Rated current [A] | Fuse size | Number of poles | Type | Order number |
|--|-----------|-----------------|-------------|-----------------|
| Shaft and handle not included | | | | |
| 250 | 0-1 | 2 | OS250D02 | 1SCA022746R7740 |
| 250 | 0-1 | 3 | OS250D03 | 1SCA022720R7080 |
| 250 | 0-1 | 4 | OS250D04N2 | 1SCA022725R0500 |
| 250 | 0-1 | 4 | OS250D04F | 1SCA022727R0360 |
| With 161 mm shaft and external handle OHB65J6 | | | | |
| 250 | 0-1 | 2 | OS250D02P | 1SCA022760R0170 |
| 250 | 0-1 | 3 | OS250D03P | 1SCA022719R0090 |
| 250 | 0-1 | 4 | OS250D04N2P | 1SCA022719R2380 |
| 250 | 0-1 | 4 | OS250D04FP | 1SCA022726R8620 |
| With direct mount handle OSV200BK | | | | |
| 250 | 0-1 | 2 | OS250D02K | 1SCA101367R1001 |
| 250 | 0-1 | 3 | OS250D03K | 1SCA022763R6360 |
| 250 | 0-1 | 4 | OS250D04N2K | 1SCA022763R6440 |
| 250 | 0-1 | 4 | OS250D04FK | 1SCA022783R1310 |

Side operated

| Rated current [A] | Fuse size | Number of poles | Type | Order number |
|---|-----------|-----------------|--------------|-----------------|
| Shaft and handle not included | | | | |
| 250 | 0-1 | 3 | OS250DS30 | 1SCA022871R2180 |
| 250 | 0-1 | 4 | OS250DS40N2 | 1SCA022871R2510 |
| 250 | 0-1 | 4 | OS250DS40F | 1SCA022871R2340 |
| With direct mount handle OHB65D6 | | | | |
| 250 | 0-1 | 3 | OS250DS30K | 1SCA022871R2260 |
| 250 | 0-1 | 4 | OS250DS40N2K | 1SCA022871R2690 |
| 250 | 0-1 | 4 | OS250DS40FK | 1SCA022871R2420 |

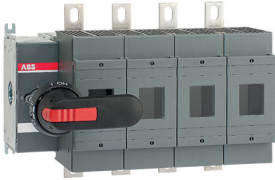
Recommended accessories: Shrouds

Snap-on mounting, grey plastic, IP 3X from front. Transparent shrouds available on request. For more details see page 86.

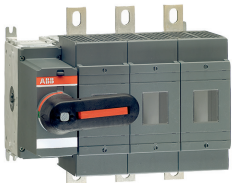
| Suitable for switches | Description | Number of poles | Type | Order number |
|-----------------------|-------------|-----------------|-------------|-----------------|
| OS/OSM250 | Long type | 3 | OSS250G1L/3 | 1SCA022731R9390 |
| OS/OSM250 | Short type | 3 | OSS250G1S/3 | 1SCA022731R9550 |
| OS/OSM250 | Long type | 4 | OSS250G1L/4 | 1SCA022731R9470 |
| OS/OSM250 | Short type | 4 | OSS250G1S/4 | 1SCA022731R9630 |

Manual operated switch fuses, IEC

Ordering information for DIN-type, 400 A



OS400D04FP



OS400D03K



OS400DS40FK

Manual operated switch fuses, DIN-type, 400 A

Including terminal bolt set M10X30. The handles are IP65 protected, padlockable in the OFF-position and with door interlock in the ON-position.

F = Fused switched neutral

N2 = Non-fused switched neutral on the right side

Front operated

| Rated current [A] | Fuse size | Number of poles | Type | Order number |
|---|-----------|-----------------|-------------|-----------------|
| Shaft and handle not included | | | | |
| 400 | 0...2 | 2 | OS400D02 | 1SCA022811R2820 |
| 400 | 0...2 | 3 | OS400D03 | 1SCA022753R1000 |
| 400 | 0...2 | 4 | OS400D04N2 | 1SCA022754R2620 |
| 400 | 0...2 | 4 | OS400D04F | 1SCA022754R3860 |
| With 250 mm shaft and external handle OHB95J12 | | | | |
| 400 | 0...2 | 2 | OS400D02P | 1SCA022811R2740 |
| 400 | 0...2 | 3 | OS400D03P | 1SCA022719R0250 |
| 400 | 0...2 | 4 | OS400D04N2P | 1SCA022719R2460 |
| 400 | 0...2 | 4 | OS400D04FP | 1SCA022753R7110 |
| With direct mount handle OSV400DK | | | | |
| 400 | 0...2 | 2 | OS400D02K | 1SCA101369R1001 |
| 400 | 0...2 | 3 | OS400D03K | 1SCA022779R5410 |
| 400 | 0...2 | 4 | OS400D04N2K | 1SCA022763R7250 |
| 400 | 0...2 | 4 | OS400D04FK | 1SCA022783R1490 |

Side operated

| Rated current [A] | Fuse size | Number of poles | Type | Order number |
|---|-----------|-----------------|--------------|-----------------|
| Shaft and handle not included | | | | |
| 400 | 0...2 | 3 | OS400DS30 | 1SCA022871R2850 |
| 400 | 0...2 | 4 | OS400DS40N2 | 1SCA022871R3230 |
| 400 | 0...2 | 4 | OS400DS40F | 1SCA022871R3070 |
| With direct mount handle OHB145D12 | | | | |
| 400 | 0...2 | 3 | OS400DS30K | 1SCA022871R2930 |
| 400 | 0...2 | 4 | OS400DS40N2K | 1SCA022871R3310 |
| 400 | 0...2 | 4 | OS400DS40FK | 1SCA022871R3150 |

Recommended accessories: Shrouds

Snap-on mounting, grey plastic, IP 3X from front. Transparent shrouds available on request. For more details see page 86.

| Suitable for switches | Description | Number of poles | Type | Order number |
|-----------------------|-------------|-----------------|-------------|-----------------|
| OS/OSM315...400 | Long type | 3 | OSS400G1L/3 | 1SCA022776R6650 |
| OS/OSM315...400 | Short type | 3 | OSS400G1S/3 | 1SCA022776R6900 |
| OS/OSM315...400 | Long type | 4 | OSS400G1L/4 | 1SCA022776R6730 |
| OS/OSM315...400 | Short type | 4 | OSS400G1S/4 | 1SCA022776R7030 |

Manual operated switch fuses, IEC

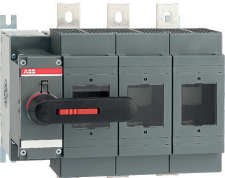
Ordering information for DIN-type, 630 A



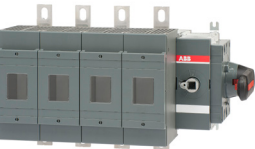
OS630...800D02P



OS630...800D04FP



OS630...800D03K



OS630...800DS04FK



OSS800G1L



OSS800G1S

Manual operated switch fuses, DIN-type, 630 A

Including terminal bolt set M12X40. Mechanism located at the end of the switch. The handles are IP65 protected, padlockable in the OFF-position and with door interlock in the ON-position.

F = Fused switched neutral

N2 = Non-fused switched neutral on the right side

Front operated

| Rated current [A] | Fuse size | Number of poles | Type | Order number |
|--------------------------------------|-----------|-----------------|------------|-----------------|
| Shaft and handle not included | | | | |
| 630 | 3 | 2 | OS630D02 | 1SCA106144R1001 |
| 630 | 3 | 3 | OS630D03 | 1SCA022825R2670 |
| 630 | 3 | 4 | OS630D04N2 | 1SCA022825R4110 |
| 630 | 3 | 4 | OS630D04F | 1SCA022825R4530 |

With 280 mm shaft and external handle OHB145J12

| | | | | |
|-----|---|---|-------------|-----------------|
| 630 | 3 | 2 | OS630D02P | 1SCA107745R1001 |
| 630 | 3 | 3 | OS630D03P | 1SCA022825R2830 |
| 630 | 3 | 4 | OS630D04N2P | 1SCA022825R4290 |
| 630 | 3 | 4 | OS630D04FP | 1SCA022825R4610 |

With direct mount handle OSV800DK

| | | | | |
|-----|---|---|-------------|-----------------|
| 630 | 3 | 3 | OS630D03K | 1SCA108704R1001 |
| 630 | 3 | 4 | OS630D04N2K | 1SCA108705R1001 |
| 630 | 3 | 4 | OS630D04FK | 1SCA110300R1001 |

Side operated

| Shaft and handle not included | | | | |
|--------------------------------------|---|---|-------------|-----------------|
| 630 | 3 | 3 | OS630DS30 | 1SCA108135R1001 |
| 630 | 3 | 4 | OS630DS40N2 | 1SCA108139R1001 |
| 630 | 3 | 4 | OS630DS40F | 1SCA108137R1001 |

With direct mount handle OHB145D12

| | | | | |
|-----|---|---|--------------|-----------------|
| 630 | 3 | 3 | OS630DS30K | 1SCA108136R1001 |
| 630 | 3 | 4 | OS630DS40N2K | 1SCA108140R1001 |
| 630 | 3 | 4 | OS630DS40FK | 1SCA108138R1001 |

Recommended accessories: Shrouds

Snap-on mounting, grey plastic, IP 3X from front. Transparent shrouds available on request. For more details see page 86.

| Suitable for switches | Description | Number of poles | Type | Order number |
|-----------------------|-------------|-----------------|-------------|-----------------|
| OS/OSM600...800 | Long type | 3 | OSS800G1L/3 | 1SCA022776R7200 |
| OS/OSM600...800 | Short type | 3 | OSS800G1S/3 | 1SCA022776R7540 |
| OS/OSM600...800 | Long type | 4 | OSS800G1L/4 | 1SCA022776R7380 |
| OS/OSM600...800 | Short type | 4 | OSS800G1S/4 | 1SCA022776R7460 |

Manual operated switch fuses, IEC

Ordering information for DIN-type, 800 A



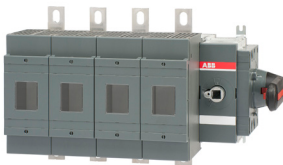
OS630...800D02P



OS630...800D04FP



OS630...800D03K



OS630...800DS04FK



OSS800G1L



OSS800G1S

Manual operated switch fuses, DIN-type, 800 A

Including terminal bolt set M12X40. Mechanism located at the end of the switch. The handles are IP65 protected, padlockable in the OFF-position and with door interlock in the ON-position.

F = Fused switched neutral

N2 = Non-fused switched neutral on the right side

Front operated

| Rated current [A] | Fuse size | Number of poles | Type | Order number |
|--------------------------------------|-----------|-----------------|------------|-----------------|
| Shaft and handle not included | | | | |
| 800 | 3 | 2 | OS800D02 | 1SCA022837R2570 |
| 800 | 3 | 3 | OS800D03 | 1SCA022825R4700 |
| 800 | 3 | 4 | OS800D04N2 | 1SCA022825R5690 |
| 800 | 3 | 4 | OS800D04F | 1SCA022825R8520 |

With 280 mm shaft and external handle OHB145J12

| | | | | |
|-----|---|---|-------------|-----------------|
| 800 | 3 | 2 | OS800D02P | 1SCA022837R2650 |
| 800 | 3 | 3 | OS800D03P | 1SCA022825R4880 |
| 800 | 3 | 4 | OS800D04N2P | 1SCA022825R5180 |
| 800 | 3 | 4 | OS800D04FP | 1SCA022825R5000 |

With direct mount handle OSV800DK

| | | | | |
|-----|---|---|-------------|-----------------|
| 800 | 3 | 3 | OS800D03K | 1SCA108725R1001 |
| 800 | 3 | 4 | OS800D04N2K | 1SCA108722R1001 |
| 800 | 3 | 4 | OS800D04FK | 1SCA110299R1001 |

Side operated

| Shaft and handle not included | | | | |
|--------------------------------------|---|---|-------------|-----------------|
| 800 | 3 | 3 | OS800DS30 | 1SCA108098R1001 |
| 800 | 3 | 4 | OS800DS40N2 | 1SCA108103R1001 |
| 800 | 3 | 4 | OS800DS40F | 1SCA108100R1001 |

With direct mount handle OHB145D12

| | | | | |
|-----|---|---|--------------|-----------------|
| 800 | 3 | 3 | OS800DS30K | 1SCA108099R1001 |
| 800 | 3 | 4 | OS800DS40N2K | 1SCA108104R1001 |
| 800 | 3 | 4 | OS800DS40FK | 1SCA108101R1001 |

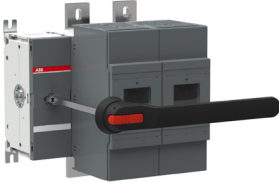
Recommended accessories: Shrouds

Snap-on mounting, grey plastic, IP 3X from front. Transparent shrouds available on request. For more details see page 86.

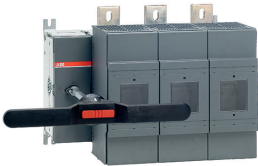
| Suitable for switches | Description | Number of poles | Type | Order number |
|-----------------------|-------------|-----------------|-------------|-----------------|
| OS/OSM600...800 | Long type | 3 | OSS800G1L/3 | 1SCA022776R7200 |
| OS/OSM600...800 | Short type | 3 | OSS800G1S/3 | 1SCA022776R7540 |
| OS/OSM600...800 | Long type | 4 | OSS800G1L/4 | 1SCA022776R7380 |
| OS/OSM600...800 | Short type | 4 | OSS800G1S/4 | 1SCA022776R7460 |

Manual operated switch fuses, IEC

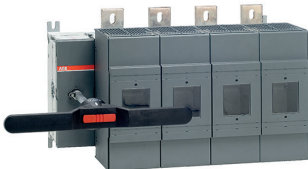
Ordering information for DIN-type, 1250 A



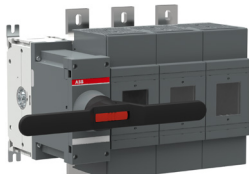
OS1250D02P



OS1250D03P



OS1250D04P



OS1250D03K

Manual operated switch fuses, DIN-type, 1250 A

Including terminal bolt set M12X50. Mechanism located at the end of the switch. The handles are IP65 protected, padlockable in the OFF-position and with door interlock in the ON-position.

F = Fused switched neutral

N2 = Non-fused switched neutral on the right side

Front operated

| Rated current [A] | Fuse size | Number of poles | Type | Order number |
|--|-----------|-----------------|---------------|-----------------|
| Shaft and handle not included | | | | |
| 1250 | 4 | 2 | OS1250D02 | 1SCA114045R1001 |
| 1250 | 4 | 3 | OS1250D03 | 1SCA105474R1001 |
| 1250 | 4 | 4 | OS1250D04N2 | 1SCA105247R1001 |
| 1250 | 4 | 4 | OS1250D04F | 1SCA105472R1001 |
| 1250 | 4a | 2 | OS1250DA02 | 1SCA114058R1001 |
| 1250 | 4a | 3 | OS1250DA03 | 1SCA105165R1001 |
| 1250 | 4a | 4 | OS1250DA04N2 | 1SCA105242R1001 |
| 1250 | 4a | 4 | OS1250DA04F | 1SCA105239R1001 |
| With 395 mm shaft and external handle OHB274J12 | | | | |
| 1250 | 4 | 2 | OS1250D02P | 1SCA114051R1001 |
| 1250 | 4 | 3 | OS1250D03P | 1SCA105475R1001 |
| 1250 | 4 | 4 | OS1250D04N2P | 1SCA105248R1001 |
| 1250 | 4 | 4 | OS1250D04FP | 1SCA105473R1001 |
| 1250 | 4a | 2 | OS1250DA02P | 1SCA114059R1001 |
| 1250 | 4a | 3 | OS1250DA03P | 1SCA105238R1001 |
| 1250 | 4a | 4 | OS1250DA04N2P | 1SCA105243R1001 |
| 1250 | 4a | 4 | OS1250DA04FP | 1SCA105240R1001 |
| With direct mount handle OSV1250DK | | | | |
| 1250 | 4 | 3 | OS1250D03K | 1SCA108718R1001 |
| 1250 | 4 | 4 | OS1250D04N2K | 1SCA108719R1001 |
| 1250 | 4 | 4 | OS1250D04FK | 1SCA113109R1001 |
| 1250 | 4 | 3 | OS1250DA03K | 1SCA108720R1001 |
| 1250 | 4 | 4 | OS1250DA04N2K | 1SCA108721R1001 |

Recommended accessories: Shrouds

Snap-on mounting, grey plastic, IP 3X from front. Transparent shrouds available on request. For more details see page 86.

| Suitable for switches | Description | Number of poles | Type | Order number |
|-----------------------|-------------|-----------------|--------------|-----------------|
| OS1200...1250 | Long type | 3 | OSS1250G1L/3 | 1SCA107938R1001 |
| OS1200...1250 | Short type | 3 | OSS1250G1S/3 | 1SCA107939R1001 |
| OS1200...1250 | Long type | 4 | OSS1250G1L/4 | 1SCA107940R1001 |
| OS1200...1250 | Short type | 4 | OSS1250G1S/4 | 1SCA107940R1001 |

Special connected switch fuses, IEC

Ordering information for DIN-type, 125 - 160 A



OS125...160GD12LRP



OS125...160GD04BBN2

Special connected switch fuses, DIN-type, 125 - 160 A

Including terminal bolt set M8X25. The handles are IP65 protected, padlockable in the OFF-position and with door interlock in the ON-position.

G = Gamma range from switch fuses from 125 to 160 Amperes

N2 = Non-fused switched neutral on the right side

Front operated with back in- back out connection

| Rated current [A] | Fuse size | Number of poles | Type | Order number |
|--|-----------|-----------------|----------------|-----------------|
| Shaft and handle not included | | | | |
| 125 | 000, 00 | 3 | OS125GD03BB | 1SCA120801R1001 |
| 125 | 000, 00 | 4 | OS125GD04BBN2 | 1SCA120805R1001 |
| 160A | 000, 00 | 3 | OS160GD03BB | 1SCA120654R1001 |
| 160A | 000, 00 | 4 | OS160GD04BBN2 | 1SCA120660R1001 |
| With 161 mm shaft and external handle OHB65J6 | | | | |
| 125 | 000, 00 | 3 | OS125GD03BBP | 1SCA120802R1001 |
| 125 | 000, 00 | 4 | OS125GD04BBN2P | 1SCA120806R1001 |
| 160A | 000, 00 | 3 | OS160GD03BBP | 1SCA120655R1001 |
| 160A | 000, 00 | 4 | OS160GD04BBN2P | 1SCA120661R1001 |

Front operated with left in-right out connection

| Rated current [A] | Fuse size | Number of poles | Type | Order number |
|--|-----------|-----------------|--------------|-----------------|
| Shaft and handle not included | | | | |
| 125 | 000, 00 | 3 | OS125GD12LR | 1SCA120253R1001 |
| 125 | 000, 00 | 3 | OS125GD21LR | 1SCA120319R1001 |
| 125 | 000, 00 | 4 | OS125GD22LR | 1SCA120262R1001 |
| 160 | 000, 00 | 3 | OS160GD12LR | 1SCA120266R1001 |
| 160 | 000, 00 | 3 | OS160GD21LR | 1SCA120268R1001 |
| 160 | 000, 00 | 4 | OS160GD22LR | 1SCA120274R1001 |
| With 161 mm shaft and external handle OHB65J6 | | | | |
| 125 | 000, 00 | 3 | OS125GD12LRP | 1SCA120062R1001 |
| 125 | 000, 00 | 3 | OS125GD21LRP | 1SCA120255R1001 |
| 125 | 000, 00 | 4 | OS125GD22LRP | 1SCA120263R1001 |
| 160 | 000, 00 | 3 | OS160GD12LRP | 1SCA120267R1001 |
| 160 | 000, 00 | 3 | OS160GD21LRP | 1SCA120294R1001 |
| 160 | 000, 00 | 4 | OS160GD22LRP | 1SCA120275R1001 |

Special connected switch fuses, IEC

Ordering information for DIN-type, 200 - 400 A



OS200...250D22LRP



OS250D03BB



OS250D04BBN2



OS400D12LRP

Special connected switch fuses, DIN-type, 200 - 400 A

Including terminal bolt set M8X25 (OS200...250) or M10X30 (OS400). Mechanism located at the end of the switch. The handles are IP65 protected, padlockable in the OFF-position and with door interlock in the ON-position.

F = Fused switched neutral

N2 = Non-fused switched neutral on the right side

Front operated with back in- back out connection

| Rated current [A] | Fuse size | Number of poles | Type | Order number |
|--------------------------------------|-----------|-----------------|--------------|-----------------|
| Shaft and handle not included | | | | |
| 200 | 0 | 3 | OS200D03BB | 1SCA102151R1001 |
| 200 | 0 | 4 | OS200D04BBN2 | 1SCA102146R1001 |
| 250 | 0-1 | 3 | OS250D03BB | 1SCA102197R1001 |
| 250 | 0-1 | 4 | OS250D04BBN2 | 1SCA102201R1001 |
| 400 | 0...2 | 3 | OS400D03BB | 1SCA102273R1001 |
| 400 | 0...2 | 4 | OS400D04BBN2 | 1SCA102291R1001 |

With 210 mm shaft and external handle OHB65J6

| | | | | |
|-----|-----|---|---------------|-----------------|
| 200 | 0 | 3 | OS200D03BBP | 1SCA102150R1001 |
| 200 | 0 | 4 | OS200D04BBN2P | 1SCA102139R1001 |
| 250 | 0-1 | 3 | OS250D03BBP | 1SCA102190R1001 |
| 250 | 0-1 | 4 | OS250D04BBN2P | 1SCA102205R1001 |

With 250 mm shaft and external handle OHB95J12

| | | | | |
|-----|-------|---|---------------|-----------------|
| 400 | 0...2 | 3 | OS400D03BBP | 1SCA102260R1001 |
| 400 | 0...2 | 4 | OS400D04BBN2P | 1SCA102289R1001 |

Front operated with left in-right out connection

| Shaft and handle not included | | | | |
|--------------------------------------|-------|---|------------|-----------------|
| 250 | 0-1 | 3 | OS250D12LR | 1SCA022852R8250 |
| 250 | 0-1 | 3 | OS250D21LR | 1SCA022852R8330 |
| 250 | 0-1 | 4 | OS250D22LR | 1SCA022853R0230 |
| 400 | 0...2 | 3 | OS400D12LR | 1SCA022853R2010 |
| 400 | 0...2 | 4 | OS400D21LR | 1SCA022853R2100 |
| 400 | 0...2 | 4 | OS400D22LR | 1SCA022853R4060 |

With 210 mm shaft and external handle OHB65J6

| | | | | |
|-----|-----|---|-------------|-----------------|
| 250 | 0-1 | 3 | OS250D12LRP | 1SCA022852R8410 |
| 250 | 0-1 | 3 | OS250D21LRP | 1SCA022852R8500 |
| 250 | 0-1 | 4 | OS250D22LRP | 1SCA022853R0310 |

With 250 mm shaft and external handle OHB95J12

| | | | | |
|-----|-------|---|-------------|-----------------|
| 400 | 0...2 | 3 | OS400D12LRP | 1SCA022853R2280 |
| 400 | 0...2 | 4 | OS400D21LRP | 1SCA022853R2360 |
| 400 | 0...2 | 4 | OS400D22LRP | 1SCA022853R4140 |

Motorized switch fuses, IEC

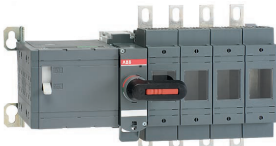
Ordering information for DIN-type, OSM32...1250 A



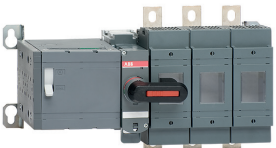
OSM63GD3M230C



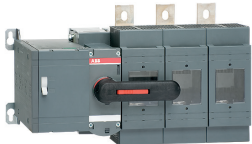
OSM160GD3M230C



OSM200D4N2M230C



OSM400D3M230C



OSM800D3M230C



OSM1250D3M230C

Motorized switch fuses OSM, 32...1250

Including a handle for manual operation, bolt kit with nut and washers for all terminals (100A...1250A), male connectors for control circuit and a handle and spare fuse storage clip.
Type codes for motor voltage $U_e = 220-240$ VAC

G = Gamma range from switch fuses from 32 to 160 Amperes

N2 = Non-fused switched neutral on the right side

N3 = Detachable neutral link integrated into the mechanism

Switched fusible neutral available on request.

Front operated

| Rated current [A] | Fuse size | Number of poles | Type | Order number |
|-------------------|-----------|-----------------|-------------------|-----------------|
| 32 | 000 | 3 | OSM32GD3M230C | 1SCA116664R1001 |
| 32 | 000 | 4 | OSM32GD4N2M230C | 1SCA118822R1001 |
| 63 | 000 | 3 | OSM63GD3M230C | 1SCA116660R1001 |
| 63 | 000 | 4 | OSM63GD4N2M230C | 1SCA118865R1001 |
| 125 | 000, 00 | 3 | OSM125GD3M230C | 1SCA116674R1001 |
| 125 | 000, 00 | 4 | OSM125GD4N2M230C | 1SCA118828R1001 |
| 160 | 000, 00 | 3 | OSM160GD3M230C | 1SCA116673R1001 |
| 160 | 000, 00 | 4 | OSM160GD4N2M230C | 1SCA118831R1001 |
| 200 | 0 | 3 | OSM200D3M230C | 1SCA104284R1001 |
| 200 | 0 | 3+N | OSM200D3N3M230C | 1SCA104282R1001 |
| 200 | 0 | 4 | OSM200D4N2M230C | 1SCA118836R1001 |
| 250 | 0-1 | 3 | OSM250D3M230C | 1SCA104295R1001 |
| 250 | 0-1 | 3+N | OSM250D3N3M230C | 1SCA104297R1001 |
| 250 | 0-1 | 4 | OSM250D4N2M230C | 1SCA118838R1001 |
| 400 | 0-2 | 3 | OSM400D3M230C | 1SCA104315R1001 |
| 400 | 0-2 | 3+N | OSM400D3N3M230C | 1SCA104317R1001 |
| 400 | 0-2 | 4 | OSM400D4N2M230C | 1SCA118842R1001 |
| 630 | 3 | 3 | OSM630D3M230C | 1SCA104518R1001 |
| 630 | 3 | 3+N | OSM630D3N3M230C | 1SCA104533R1001 |
| 630 | 3 | 4 | OSM630D4N2M230C | 1SCA118846R1001 |
| 800 | 3 | 3 | OSM800D3M230C | 1SCA104522R1001 |
| 800 | 3 | 3+N | OSM800D3N3M230C | 1SCA104534R1001 |
| 800 | 3 | 4 | OSM800D4N2M230C | 1SCA118847R1001 |
| 1250 | 4 | 3 | OSM1250D3M230C | 1SCA112549R1001 |
| 1250 | 4 | 3+N | OSM1250D3N3M230C | 1SCA112547R1001 |
| 1250 | 4 | 4 | OSM1250D4N2M230C | 1SCA118850R1001 |
| 1250 | 4a | 3 | OSM1250DA3M230C | 1SCA112546R1001 |
| 1250 | 4a | 3+N | OSM1250DA3N3M230C | 1SCA112544R1001 |
| 1250 | 4a | 4 | OSM1250DA4N2M230C | 1SCA118851R1001 |

Handles and bolt kits included as standard

| Suitable for switches | Handle+shaft kit |
|-----------------------|------------------|
| OSM32...63 | OTV250EMK |
| OSM100...200 | OTV250EMK |
| OSM250 | OTV250EMK |
| OSM400 | OTV400EMK |
| OSM630...800 | OTV800EMK |
| OSM1250 | OTV1000EMK |



HANJIN SHIPPING

HANJIN SW

ZPMC

107 HANJIN

COSCO

COSCO

YANG MINE

Switch fuses BS type

Ordering information

| | |
|--|----|
| Manual operated switch fuses, 20...32 A | 45 |
| Manual operated switch fuses, 63 A | 46 |
| Manual operated switch fuses, 100 A | 47 |
| Manual operated switch fuses, 125 A | 48 |
| Manual operated switch fuses, 160 A | 49 |
| Manual operated switch fuses, 200 A | 50 |
| Manual operated switch fuses, 100...200 A with integrated nuts | 51 |
| Manual operated switch fuses, 200 A | 52 |
| Manual operated switch fuses, 250 A | 53 |
| Manual operated switch fuses, 315 A | 54 |
| Manual operated switch fuses, 400 A | 55 |
| Manual operated switch fuses, 630 A | 56 |
| Manual operated switch fuses, 800 A | 57 |
| Manual operated switch fuses, 1250 A | 58 |
| Special connected switch fuses, 125...200 A | 59 |
| Special connected switch fuses, 250...400 A | 60 |
| Motorized switch fuses, 32...1250 A | 61 |

Manual operated switch fuses, IEC

Ordering information for BS-type, 20...32 A



OS32...63GB02P



OS32...63GB04N1P



OS32G...63GB03K



OS32G...63GB04N1K



OS32GBS30K



OS32GBS40N1K

Manual operated switch fuses, BS-type, 20...32

Protected tunnel terminals, IP20. Mechanism located at the end of the switch. The handles are IP65 protected, padlockable in the OFF-position and with door interlock in the ON-position.

F = OS Mini range switch fuses from 20 to 32 Amperes
G = Gamma range from switch fuses 32 Amperes

N1 = Non-fused switched neutral on the left side
F = Switched fusible neutral

Front operated

| Rated current [A] | Fuse size | Number of poles | Type | Order number |
|--------------------------------------|-----------|-----------------|----------------|-----------------|
| Shaft and handle not included | | | | |
| 20 | A1 | 3 | OS20FB12A1-2 | 1SCA108791R1001 |
| 20 | A1 | 4 | OS20FB22A1N1-2 | 1SCA108797R1001 |
| 32 | A1 | 3 | OS32FB12A1-2 | 1SCA108841R1001 |
| 32 | A2 | 3 | OS32FB12A2-2 | 1SCA108848R1001 |
| 32 | A1 | 4 | OS32FB22A1N1-2 | 1SCA108855R1001 |
| 32 | A2 | 4 | OS32FB22A2N1-2 | 1SCA108865R1001 |
| 32 | A2, A3 | 2 | OS32GB02 | 1SCA116792R1001 |
| 32 | A2, A3 | 3 | OS32GB03 | 1SCA115255R1001 |
| 32 | A2, A3 | 4 | OS32GB04N1 | 1SCA115265R1001 |

With 150 mm shaft and external handle OHB65J6

| | | | | |
|----|----|---|--------------|-----------------|
| 20 | A1 | 3 | OS20FB12A1 | 1SCA108790R1001 |
| 20 | A1 | 4 | OS20FB22A1N1 | 1SCA108796R1001 |
| 32 | A1 | 3 | OS32FB12A1 | 1SCA108840R1001 |
| 32 | A2 | 3 | OS32FB12A2 | 1SCA108847R1001 |
| 32 | A1 | 4 | OS32FB22A1N1 | 1SCA108853R1001 |
| 32 | A2 | 4 | OS32FB22A2N1 | 1SCA108863R1001 |

With 161 mm shaft and external handle OHB45J6

| | | | | |
|----|--------|---|-------------|-----------------|
| 32 | A2, A3 | 2 | OS32GB02P | 1SCA116721R1001 |
| 32 | A2, A3 | 3 | OS32GB03P | 1SCA115259R1001 |
| 32 | A2, A3 | 4 | OS32GB04N1P | 1SCA114610R1001 |

With direct mount handle OSV200BK

| | | | | |
|----|--------|---|-------------|-----------------|
| 32 | A2, A3 | 3 | OS32GB03K | 1SCA116744R1001 |
| 32 | A2, A3 | 4 | OS32GB04N1K | 1SCA116856R1001 |

Side operated

| | | | | |
|---|--------|---|--------------|-----------------|
| Shaft and handle not included | | | | |
| 32 | A2, A3 | 3 | OS32GBS30 | 1SCA115955R1001 |
| 32 | A2, A3 | 4 | OS32GBS40N1 | 1SCA115956R1001 |
| With direct mount handle OHB65D6 | | | | |
| 32 | A2, A3 | 3 | OS32GBS30K | 1SCA115918R1001 |
| 32 | A2, A3 | 4 | OS32GBS40N1K | 1SCA115923R1001 |

Manual operated switch fuses, IEC

Ordering information for BS-type, 63 A



OS32...63GB02P



OS32...63GB04N1P



OS32G...63GB03K



OS32G...63GB04N1K

Manual operated switch fuses, BS-type, 63 A

Protected tunnel terminals, IP20. Mechanism located at the end of the switch. The handles are IP65 protected, padlockable in the OFF-position and with door interlock in the ON-position.

G = Gamma range from switch fuses 63 Amperes

N1 = Non-fused switched neutral on the left side

F = Switched fusible neutral

Front operated

| Rated current [A] | Fuse size | Number of poles | Type | Order number |
|--|-----------|-----------------|-------------|-----------------|
| Shaft and handle not included | | | | |
| 63 | A2, A3 | 2 | OS63GB02 | 1SCA116871R1001 |
| 63 | A2, A3 | 3 | OS63GB03 | 1SCA115234R1001 |
| 63 | A2, A3 | 4 | OS63GB04N1 | 1SCA115237R1001 |
| 63 | A2, A3 | 4 | OS63GB04F | 1SCA116304R1001 |
| With 161 mm shaft and external handle OHB45J6 | | | | |
| 63 | A2, A3 | 2 | OS63GB02P | 1SCA116854R1001 |
| 63 | A2, A3 | 3 | OS63GB03P | 1SCA115235R1001 |
| 63 | A2, A3 | 4 | OS63GB04N1P | 1SCA115238R1001 |
| 63 | A2, A3 | 4 | OS63GB04FP | 1SCA116305R1001 |
| With direct mount handle OSV200BK | | | | |
| 63 | A2, A3 | 3 | OS63GB03K | 1SCA116745R1001 |
| 63 | A2, A3 | 4 | OS63GB04N1K | 1SCA116746R1001 |

Side operated

| Rated current [A] | Fuse size | Number of poles | Type | Order number |
|---|-----------|-----------------|--------------|-----------------|
| Shaft and handle not included | | | | |
| 63 | A2, A3 | 3 | OS63GBS30 | 1SCA115957R1001 |
| 63 | A2, A3 | 4 | OS63GBS40N1 | 1SCA115978R1001 |
| With direct mount handle OHB65D6 | | | | |
| 63 | A2, A3 | 3 | OS63GBS30K | 1SCA115924R1001 |
| 63 | A2, A3 | 4 | OS63GBS40N1K | 1SCA115979R1001 |

Manual operated switch fuses, IEC

Ordering information for BS-type, 100 A



OS100...160GB03P



OS100...160GB03N3P

Manual operated switch fuses, BS-type, 100 A

Including terminal bolt set M8x25. Mechanism located at the end of the switch. The handles are IP65 protected, padlockable in the OFF-position and with door interlock in the ON-position.

G = Gamma range from switch fuses 100 Amperes

N1 = Non-fused switched neutral on the left side

F = Switched fusible neutral

N3 = Detachable neutral link integrated into the mechanism

Front operated

| Rated current [A] | Fuse size | Number of poles | Type | Order number |
|--|---------------------|-----------------|--------------|-----------------|
| Shaft and handle not included | | | | |
| 100 | A2-A4 ¹⁾ | 2 | OS100GB02 | 1SCA116793R1001 |
| 100 | A2-A4 ¹⁾ | 3 | OS100GB03 | 1SCA116975R1001 |
| 100 | A2-A4 ¹⁾ | 3+N | OS100GB03N3 | 1SCA125530R1001 |
| 100 | A2-A4 ¹⁾ | 4 | OS100GB04N1 | 1SCA116976R1001 |
| With 161 mm shaft and external handle OHB65J6 | | | | |
| 100 | A2-A4 ¹⁾ | 2 | OS100GB02P | 1SCA116723R1001 |
| 100 | A2-A4 ¹⁾ | 3 | OS100GB03P | 1SCA114613R1001 |
| 100 | A2-A4 ¹⁾ | 3+N | OS100GB03N3P | 1SCA125531R1001 |
| 100 | A2-A4 ¹⁾ | 4 | OS100GB04N1P | 1SCA114614R1001 |
| With direct mount handle OSV200BK | | | | |
| 100 | A2-A4 ¹⁾ | 3 | OS100GB03K | 1SCA116747R1001 |
| 100 | A2-A4 ¹⁾ | 4 | OS100GB04N1K | 1SCA116748R1001 |

Side operated

| Shaft and handle not included | | | | |
|--|---------------------|---|---------------|-----------------|
| 100 | A2-A4 ¹⁾ | 3 | OS100GBS30 | 1SCA116758R1001 |
| 100 | A2-A4 ¹⁾ | 4 | OS100GBS40N1 | 1SCA116759R1001 |
| With 161 mm shaft and external handle OHB65J6E005 | | | | |
| 100 | A2-A4 ¹⁾ | 3 | OS100GBS30P | 1SCA114656R1001 |
| 100 | A2-A4 ¹⁾ | 4 | OS100GBS40N1P | 1SCA114657R1001 |

¹⁾ Max. fuse diameter 32 mm

Recommended accessories: Shrouds

Snap-on mounting, grey plastic, IP 3X from front. Transparent shrouds available on request. For more details see page 86.

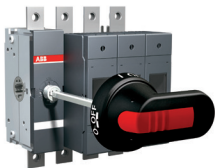
| Suitable for switches | Description | Number of poles | Type | Order number |
|---|-------------|-----------------|--------------|-----------------|
| OS/OSM100G...160G | Long type | 3 | OSS160GG1L/3 | 1SCA114764R1001 |
| OS/OSM100G...160G | Short type | 3 | OSS160GG1S/3 | 1SCA114766R1001 |
| OS/OSM100G...160G | Long type | 4 | OSS160GG1L/4 | 1SCA114765R1001 |
| OS/OSM100G...160G | Short type | 4 | OSS160GG1S/4 | 1SCA114767R1001 |
| Terminal shrouds suitable for mechanism with detachable integrated neutral (N3 versions) | | | | |
| OS/OSM100G...250_ N3_ | Long type | 3+N | OTS250G1L | 1SCA022715R5340 |
| OS/OSM100G...250_ N3_ | Short type | 3+N | OTS250G1S | 1SCA022715R5260 |

Manual operated switch fuses, IEC

Ordering information for BS-type, 125 A



OS100...160GB03P



OS100...160GB03N3P

Manual operated switch fuses, BS-type, 125 A

Including terminal bolt set M8x25. Mechanism located at the end of the switch. The handles are IP65 protected, padlockable in the OFF-position and with door interlock in the ON-position.

G = Gamma range from switch fuses 125 Amperes

N1 = Non-fused switched neutral on the left side

F = Switched fusible neutral

N3 = Detachable neutral link integrated into the mechanism

Front operated

| Rated current [A] | Fuse size | Number of poles | Type | Order number |
|--|---------------------|-----------------|--------------|-----------------|
| Shaft and handle not included | | | | |
| 125 | A2-A4 ¹⁾ | 2 | OS125GB02 | 1SCA116794R1001 |
| 125 | A2-A4 ¹⁾ | 3 | OS125GB03 | 1SCA115633R1001 |
| 125 | A2-A4 ¹⁾ | 3+N | OS125GB03N3 | 1SCA122007R1001 |
| 125 | A2-A4 ¹⁾ | 4 | OS125GB04N1 | 1SCA115900R1001 |
| With 161 mm shaft and external handle OHB65J6 | | | | |
| 125 | A2-A4 ¹⁾ | 2 | OS125GB02P | 1SCA116724R1001 |
| 125 | A2-A4 ¹⁾ | 3 | OS125GB03P | 1SCA115634R1001 |
| 125 | A2-A4 ¹⁾ | 3+N | OS125GB03N3P | 1SCA122008R1001 |
| 125 | A2-A4 ¹⁾ | 4 | OS125GB04N1P | 1SCA115901R1001 |
| With direct mount handle OSV200BK | | | | |
| 125 | A2-A4 ¹⁾ | 3 | OS125GB03K | 1SCA116751R1001 |
| 125 | A2-A4 ¹⁾ | 4 | OS125GB04N1K | 1SCA116752R1001 |

Side operated

| Rated current [A] | Fuse size | Number of poles | Type | Order number |
|--|---------------------|-----------------|---------------|-----------------|
| Shaft and handle not included | | | | |
| 125 | A2-A4 ¹⁾ | 3 | OS125GBS30 | 1SCA116048R1001 |
| 125 | A2-A4 ¹⁾ | 4 | OS125GBS40N1 | 1SCA115959R1001 |
| With 161 mm shaft and external handle OHB65J6E00S | | | | |
| 125 | A2-A4 ¹⁾ | 3 | OS125GBS30P | 1SCA114658R1001 |
| 125 | A2-A4 ¹⁾ | 4 | OS125GBS40N1P | 1SCA114659R1001 |
| With direct mount handle OHB65D6 | | | | |
| 125 | A2-A4 ¹⁾ | 3 | OS125GBS30K | 1SCA116400R1001 |
| 125 | A2-A4 ¹⁾ | 4 | OS125GBS40N1K | 1SCA115926R1001 |

¹⁾ Max. fuse diameter 32 mm.

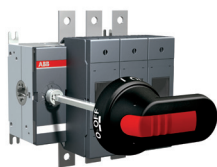
Recommended accessories: Shrouds

Snap-on mounting, grey plastic, IP 3X from front. Transparent shrouds available on request. For more details see page 86.

| Suitable for switches | Description | Number of poles | Type | Order number |
|---|-------------|-----------------|--------------|-----------------|
| OS/OSM100G...160G | Long type | 3 | OSS160GG1L/3 | 1SCA114764R1001 |
| OS/OSM100G...160G | Short type | 3 | OSS160GG1S/3 | 1SCA114766R1001 |
| OS/OSM100G...160G | Long type | 4 | OSS160GG1L/4 | 1SCA114765R1001 |
| OS/OSM100G...160G | Short type | 4 | OSS160GG1S/4 | 1SCA114767R1001 |
| Terminal shrouds suitable for mechanism with detachable integrated neutral (N3 versions) | | | | |
| OS/OSM100G...250_N3_ | Long type | 3+N | OTS250G1L | 1SCA022715R5340 |
| OS/OSM100G...250_N3_ | Short type | 3+N | OTS250G1S | 1SCA022715R5260 |

Manual operated switch fuses, IEC

Ordering information for BS-type, 160 A



OS100...160GB03P



OS100...160GB03N3P

Manual operated switch fuses, BS-type, 160 A

Including terminal bolt set M8x25. Mechanism located at the end of the switch. The handles are IP65 protected, padlockable in the OFF-position and with door interlock in the ON-position.

G = Gamma range from switch fuses 160 Amperes

N1 = Non-fused switched neutral on the left side

F = Switched fusible neutral

N3 = Detachable neutral link integrated into the mechanism

Front operated

| Rated current [A] | Fuse size | Number of poles | Type | Order number |
|--|---------------------|-----------------|--------------|-----------------|
| Shaft and handle not included | | | | |
| 160 | A2-A4 ³⁾ | 2 | OS160GB02 | 1SCA116795R1001 |
| 160 | A2-A4 ³⁾ | 3 | OS160GB03 | 1SCA115412R1001 |
| 160 | A2-A4 ³⁾ | 3+N | OS160GB03N3 | 1SCA122009R1001 |
| 160 | A2-A4 ³⁾ | 4 | OS160GB04N1 | 1SCA115895R1001 |
| 160 | A2-A4 ³⁾ | 4 | OS160GB04F | 1SCA115418R1001 |
| With 161 mm shaft and external handle OHB65J6 | | | | |
| 160 | A2-A4 ³⁾ | 2 | OS160GB02P | 1SCA116725R1001 |
| 160 | A2-A4 ³⁾ | 3 | OS160GB03P | 1SCA115413R1001 |
| 160 | A2-A4 ³⁾ | 3+N | OS160GB03N3P | 1SCA122010R1001 |
| 160 | A2-A4 ³⁾ | 4 | OS160GB04N1P | 1SCA115896R1001 |
| 160 | A2-A4 ³⁾ | 4 | OS160GB04FP | 1SCA115419R1001 |
| With direct mount handle OSV200BK | | | | |
| 160 | A2-A4 ³⁾ | 3 | OS160GB03K | 1SCA116753R1001 |
| 160 | A2-A4 ³⁾ | 4 | OS160GB04N1K | 1SCA116754R1001 |

Side operated

| Rated current [A] | Fuse size | Number of poles | Type | Order number |
|--|---------------------|-----------------|---------------|-----------------|
| Shaft and handle not included | | | | |
| 160 | A2-A4 ³⁾ | 3 | OS160GBS30 | 1SCA115960R1001 |
| 160 | A2-A4 ³⁾ | 4 | OS160GBS40N1 | 1SCA115961R1001 |
| With 161 mm shaft and external handle OHB65J6E005 | | | | |
| 160 | A2-A4 ³⁾ | 3 | OS160GBS30P | 1SCA114660R1001 |
| 160 | A2-A4 ³⁾ | 4 | OS160GBS40N1P | 1SCA114661R1001 |
| With direct mount handle OHB65D6 | | | | |
| 160 | A2-A4 ³⁾ | 3 | OS160GBS30K | 1SCA115927R1001 |
| 160 | A2-A4 ³⁾ | 4 | OS160GBS40N1K | 1SCA115928R1001 |

³⁾ Max. fuse diameter 32 mm.

Recommended accessories: Shrouds

Snap-on mounting, grey plastic, IP 3X from front. Transparent shrouds available on request. For more details see page 86.

| Suitable for switches | Description | Number of poles | Type | Order number |
|---|-------------|-----------------|--------------|-----------------|
| OS/OSM100G...160G | Long type | 3 | OSS160GG1L/3 | 1SCA114764R1001 |
| OS/OSM100G...160G | Short type | 3 | OSS160GG1S/3 | 1SCA114766R1001 |
| OS/OSM100G...160G | Long type | 4 | OSS160GG1L/4 | 1SCA114765R1001 |
| OS/OSM100G...160G | Short type | 4 | OSS160GG1S/4 | 1SCA114767R1001 |
| Terminal shrouds suitable for mechanism with detachable integrated neutral (N3 versions) | | | | |
| OS/OSM100G...250_N3_ | Long type | 3+N | OTS250G1L | 1SCA022715R5340 |
| OS/OSM100G...250_N3_ | Short type | 3+N | OTS250G1S | 1SCA022715R5260 |

Manual operated switch fuses, IEC

Ordering information for BS-type, 200 A



OS200GB03P



OS200GB03N3P



OSS200G1L



OSS200G1S

Manual operated switch fuses, BS-type, 200 A

BS-fuse type dedicated Gamma-generation switch with rated operational current AC21-23A, 160A. Including terminal bolt set M8x25. Mechanism located at the end of the switch. The handles are IP65 protected, padlockable in the OFF-position and with door interlock in the ON-position.

G = Gamma range from switch fuses 200 Amperes

N1 = Non-fused switched neutral on the left side

F = Switched fusible neutral

N3 = Detachable neutral link integrated into the mechanism

Front operated

| Rated current [A] | Fuse size | Number of poles | Type | Order number |
|--|---------------------|-----------------|--------------|-----------------|
| Shaft and handle not included | | | | |
| 160 | A2-A4 ¹⁾ | 3 | OS200GB03 | 1SCA123903R1001 |
| 160 | A2-A4 ¹⁾ | 3+N | OS200GB03N3 | 1SCA123904R1001 |
| 160 | A2-A4 ¹⁾ | 4 | OS200GB04N1 | 1SCA125491R1001 |
| With 161 mm shaft and external handle OHB65J6 | | | | |
| 160 | A2-A4 ¹⁾ | 3 | OS200GB03P | 1SCA125468R1001 |
| 160 | A2-A4 ¹⁾ | 3+N | OS200GB03N3P | 1SCA126216R1001 |
| 160 | A2-A4 ¹⁾ | 4 | OS200GB04N1P | 1SCA125493R1001 |
| With direct mount handle OSV200BK | | | | |
| 160 | A2-A4 ¹⁾ | 3 | OS200GB03K | 1SCA128085R1001 |
| 160 | A2-A4 ¹⁾ | 3+N | OS200GB03N3K | 1SCA128087R1001 |

¹⁾ Max. fuse diameter 32 mm.

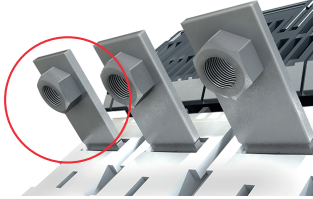
Recommended accessories: Shrouds

Snap-on mounting, grey plastic, IP 3X from front. Transparent shrouds available on request. For more details see page 86.

| Suitable for switches | Description | Number of poles | Type | Order number |
|---|-------------|-----------------|--------------|-----------------|
| OS/OSM200GB | Long type | 3 | OSS160GG1L/3 | 1SCA114764R1001 |
| OS/OSM200GB | Short type | 3 | OSS160GG1S/3 | 1SCA114766R1001 |
| OS/OSM200GB | Long type | 4 | OSS160GG1L/4 | 1SCA114765R1001 |
| OS/OSM200GB | Short type | 4 | OSS160GG1S/4 | 1SCA114767R1001 |
| Terminal shrouds suitable for mechanism with detachable integrated neutral (N3 versions) | | | | |
| OS/OSM100G...250_N3_ | Long type | 3+N | OTS250G1L | 1SCA022715R5340 |
| OS/OSM100G...250_N3_ | Short type | 3+N | OTS250G1S | 1SCA022715R5260 |

Manual operated switch fuses, IEC

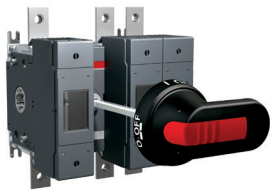
Ordering information for BS-type, 100...200 A



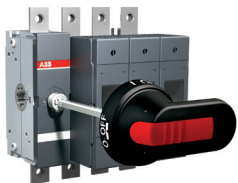
Terminals with integrated nuts



OS100...200GB03P-42



OS100...160GB12P-42



OS100...200GB03N3P-42



OSS250G1SH

Manual operated switch fuses, BS-type, 100...200 A with integrated nuts

The types -42 have integrated nuts for ease of installation. Including terminal bolt set. Mechanism located at the end of the switch. The handles are IP65 protected, padlockable in the OFF-position and with door interlock in the ON-position.

G = Gamma range from switch fuses from 100 to 200 Amperes

N3 = Detachable neutral link integrated into the mechanism

Front operated

| Rated current [A] | Fuse size | Number of poles | Type | Order number |
|--|---------------------|-----------------|-----------------|-----------------|
| Shaft and handle not included | | | | |
| 100 | A2-A4 ¹⁾ | 3 | OS100GB03-42 | 1SCA128216R1001 |
| 100 | A2-A4 ¹⁾ | 3+N | OS100GB03N3-42 | 1SCA129906R1001 |
| 125 | A2-A4 ¹⁾ | 3 | OS125GB03-42 | 1SCA128214R1001 |
| 125 | A2-A4 ¹⁾ | 3+N | OS125GB03N3-42 | 1SCA129911R1001 |
| 160 | A2-A4 ¹⁾ | 3 | OS160GB03-42 | 1SCA128212R1001 |
| 160 | A2-A4 ¹⁾ | 3+N | OS160GB03N3-42 | 1SCA129915R1001 |
| 200 | A2-A4 ¹⁾ | 3 | OS200GB03-42 | 1SCA128210R1001 |
| 200 | A2-A4 ¹⁾ | 3+N | OS200GB03N3-42 | 1SCA129921R1001 |
| With 161 mm shaft and external handle OHB65J6 | | | | |
| 100 | A2-A4 ¹⁾ | 3 | OS100GB03N3P-42 | 1SCA129907R1001 |
| 100 | A2-A4 ¹⁾ | 3+N | OS100GB03P-42 | 1SCA128217R1001 |
| 125 | A2-A4 ¹⁾ | 3 | OS125GB03N3P-42 | 1SCA129912R1001 |
| 125 | A2-A4 ¹⁾ | 3+N | OS125GB03P-42 | 1SCA128215R1001 |
| 160 | A2-A4 ¹⁾ | 3 | OS160GB03N3P-42 | 1SCA129916R1001 |
| 160 | A2-A4 ¹⁾ | 3+N | OS160GB03P-42 | 1SCA128213R1001 |
| 200 | A2-A4 ¹⁾ | 3 | OS200GB03N3P-42 | 1SCA129922R1001 |
| 200 | A2-A4 ¹⁾ | 3+N | OS200GB03P-42 | 1SCA128211R1001 |

¹⁾ Max. fuse diameter 32 mm.

Recommended accessories: Shrouds

Snap-on mounting, grey plastic, IP 3X from front. Transparent shrouds available on request. For more details see page 86.

| Suitable for switches | Description | Number of poles | Type | Order number |
|---|-------------|-----------------|--------------|-----------------|
| OS/OSM100G...160G, 200GB | Long type | 3 | OSS160GG1L/3 | 1SCA114764R1001 |
| OS/OSM100G...160G, 200GB | Short type | 3 | OSS160GG1S/3 | 1SCA114766R1001 |
| OS/OSM100G...160G, 200GB | Long type | 4 | OSS160GG1L/4 | 1SCA114765R1001 |
| OS/OSM100G...160G, 200GB | Short type | 4 | OSS160GG1S/4 | 1SCA114767R1001 |
| Terminal shrouds suitable for mechanism with detachable integrated neutral (N3 versions) | | | | |
| OS/OSM100G...250_N3_ | Long type | 3+N | OTS250G1L | 1SCA022715R5340 |
| OS/OSM100G...250_N3_ | Short type | 3+N | OTS250G1S | 1SCA022715R5260 |

Manual operated switch fuses, IEC

Ordering information for BS-type, 200 A



OS200...250B02P



OS200...250B03N3



OS200...250BS30K



OS200...250BS40N2K



OSS200G1L



OSS200G1S



OSS250G1SH

Manual operated switch fuses, BS-type, 200 A

Including terminal bolt set M8x25. Mechanism located at the end of the switch. The handles are IP65 protected, padlockable in the OFF-position and with door interlock in the ON-position.

N1 = Non-fused switched neutral on the left side

F = Switched fusible neutral

N3 = Detachable neutral link integrated into the mechanism

Front operated

| Rated current [A] | Fuse size | Number of poles | Type | Order number |
|--|-----------|-----------------|-------------|-----------------|
| Shaft and handle not included | | | | |
| 200 | B1-B2 | 2 | OS200B02 | 1SCA022769R7660 |
| 200 | B1-B2 | 3 | OS200B03 | 1SCA022717R3410 |
| 200 | B1-B2 | 3+N | OS200B03N3 | 1SCA022750R0540 |
| 200 | B1-B2 | 4 | OS200B04F | 1SCA123706R1001 |
| With 210 mm shaft and external handle OHB65J6 | | | | |
| 200 | B1-B2 | 2 | OS200B02P | 1SCA022769R7820 |
| 200 | B1-B2 | 3 | OS200B03P | 1SCA022709R9330 |
| 200 | B1-B2 | 3+N | OS200B03N3P | 1SCA022750R0620 |
| 200 | B1-B2 | 4 | OS200B04FP | 1SCA123704R1001 |
| With direct mount handle OSV200BK | | | | |
| 200 | B1-B2 | 3 | OS200B03K | 1SCA022763R6950 |

Side operated

| Rated current [A] | Fuse size | Number of poles | Type | Order number |
|---|-----------|-----------------|-------------|-----------------|
| Shaft and handle not included | | | | |
| 200 | B1-B2 | 3 | OS200BS30 | 1SCA022870R7770 |
| 200 | B1-B2 | 4 | OS200BS40F | 1SCA022870R7930 |
| With direct mount handle OHB65D6 | | | | |
| 200 | B1-B2 | 3 | OS200BS30K | 1SCA022870R7850 |
| 200 | B1-B2 | 4 | OS200BS40FK | 1SCA022870R8070 |

Recommended accessories: Shrouds

Snap-on mounting, grey plastic, IP 3X from front. Transparent shrouds available on request. For more details see page 84.

| Suitable for switches | Description | Number of poles | Type | Order number |
|---|-------------|-----------------|-------------|-----------------|
| OS/OSM200 | Long type | 3 | OSS200G1L/3 | 1SCA022731R8910 |
| OS/OSM200 | Short type | 3 | OSS200G1S/3 | 1SCA022732R0130 |
| OS/OSM200 | Long type | 4 | OSS200G1L/4 | 1SCA022731R9040 |
| OS/OSM200 | Short type | 4 | OSS200G1S/4 | 1SCA022732R0050 |
| Terminal shrouds suitable for mechanism with detachable integrated neutral (N3 versions) | | | | |
| OS/OSM100G...250_N3_ | Long type | 3+N | OTS250G1L | 1SCA022715R5340 |
| OS/OSM100G...250_N3_ | Short type | 3+N | OTS250G1S | 1SCA022715R5260 |

Manual operated switch fuses, IEC

Ordering information for BS-type, 250 A



OS200...250B02P



OS200...250B03N3



OS200...250BS30K



OS200...250BS40N2K



OSS250G1L



OSS250G1SH

Manual operated switch fuses, BS-type, 250 A

I Including terminal bolt set M10X30. Mechanism located at the end of the switch. The handles are IP65 protected, padlockable in the OFF-position and with door interlock in the ON-position.

N1 = Non-fused switched neutral on the left side

F = Switched fusible neutral

N3 = Detachable neutral link integrated into the mechanism

Front operated

| Rated current [A] | Fuse size | Number of poles | Type | Order number |
|--------------------------------------|-----------|-----------------|------------|-----------------|
| Shaft and handle not included | | | | |
| 250 | B1-B3 | 2 | OS250B02 | 1SCA022769R9360 |
| 250 | B1-B3 | 3 | OS250B03 | 1SCA022750R6400 |
| 250 | B1-B3 | 3+N | OS250B03N3 | 1SCA022750R7980 |
| 250 | B1-B3 | 4 | OS250B04N1 | 1SCA022750R7040 |
| 250 | B1-B3 | 4 | OS250B04F | 1SCA109110R1001 |

With 161 mm shaft and external handle OHB65J6

| | | | | |
|-----|-------|-----|-------------|-----------------|
| 250 | B1-B3 | 2 | OS250B02P | 1SCA022769R9440 |
| 250 | B1-B3 | 3 | OS250B03P | 1SCA022750R6660 |
| 250 | B1-B3 | 3+N | OS250B03N3P | 1SCA022750R8010 |
| 250 | B1-B3 | 4 | OS250B04N1P | 1SCA022750R7120 |
| 250 | B1-B3 | 4 | OS250B04FP | 1SCA109112R1001 |

With direct mount handle OSV200BK

| | | | | |
|-----|-------|---|-------------|-----------------|
| 250 | B1-B3 | 3 | OS250B03K | 1SCA022763R6010 |
| 250 | B1-B3 | 4 | OS250B04N1K | 1SCA022763R6100 |

Side operated

| Shaft and handle not included | | | | |
|--------------------------------------|-------|---|------------|-----------------|
| 250 | B1-B3 | 3 | OS250BS30 | 1SCA022870R8580 |
| 250 | B1-B3 | 4 | OS250BS40F | 1SCA022870R8740 |

With direct mount handle OHB65D6

| | | | | |
|-----|-------|---|-------------|-----------------|
| 250 | B1-B3 | 3 | OS250BS30K | 1SCA022870R8660 |
| 250 | B1-B3 | 4 | OS250BS40FK | 1SCA022870R8820 |

Recommended accessories: Shrouds

Snap-on mounting, grey plastic, IP 3X from front. Transparent shrouds available on request. For more details see page 84.

| Suitable for switches | Description | Number of poles | Type | Order number |
|-----------------------|-------------|-----------------|-------------|-----------------|
| OS/OSM250 | Long type | 3 | OSS250G1L/3 | 1SCA022731R9390 |
| OS/OSM250 | Short type | 3 | OSS250G1S/3 | 1SCA022731R9550 |
| OS/OSM250 | Long type | 4 | OSS250G1L/4 | 1SCA022731R9470 |
| OS/OSM250 | Short type | 4 | OSS250G1S/4 | 1SCA022731R9630 |

Terminal shrouds suitable for mechanism with detachable integrated neutral (N3 versions)

| | | | | |
|----------------------|------------|-----|-----------|-----------------|
| OS/OSM100G...250_N3_ | Long type | 3+N | OTS250G1L | 1SCA022715R5340 |
| OS/OSM100G...250_N3_ | Short type | 3+N | OTS250G1S | 1SCA022715R5260 |

Manual operated switch fuses, IEC

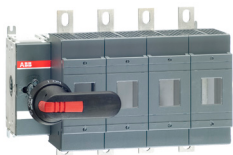
Ordering information for BS-type, 315 A



OS315...400B03P



OS315BS30



OS315B04FP



OS315BS03K



OSS250G1SH

Manual operated switch fuses, BS-type, 315 A

Including terminal bolt set M10x30. Mechanism located at the end of the switch. The handles are IP65 protected, padlockable in the OFF-position and with door interlock in the ON-position.

N1 = Non-fused switched neutral on the left side

F = Switched fusible neutral

N3 = Detachable neutral link integrated into the mechanism

Front operated

| Rated current [A] | Fuse size | Number of poles | Type | Order number |
|---|-----------|-----------------|-------------|-----------------|
| Shaft and handle not included | | | | |
| 315 | B1-B4 | 2 | OS315B02 | 1SCA022817R3370 |
| 315 | B1-B4 | 3 | OS315B03 | 1SCA022753R2070 |
| 315 | B1-B4 | 3+N | OS315B03N3 | 1SCA022753R9590 |
| 315 | B1-B4 | 4 | OS315B04F | 1SCA022777R5480 |
| With 200 mm shaft and external handle OHB95J12 | | | | |
| 315 | B1-B4 | 2 | OS315B02P | 1SCA022817R3450 |
| 315 | B1-B4 | 3 | OS315B03P | 1SCA022719R0680 |
| 315 | B1-B4 | 3+N | OS315B03N3P | 1SCA022753R8940 |
| 315 | B1-B4 | 4 | OS315B04FP | 1SCA022753R6650 |
| With direct mount handle OSV400BK | | | | |
| 315 | B1-B4 | 3 | OS315B03K | 1SCA022763R6520 |
| 315 | B1-B4 | 4 | OS315B04N1K | 1SCA022763R7170 |

Side operated

| Shaft and handle not included | | | | |
|--|-------|---|-------------|-----------------|
| 315 | B1-B4 | 3 | OS315BS30 | 1SCA022870R9390 |
| 315 | B1-B4 | 4 | OS315BS40F | 1SCA022870R9550 |
| With direct mount handle OHB95D12 | | | | |
| 315 | B1-B4 | 3 | OS315BS30K | 1SCA022870R9470 |
| 315 | B1-B4 | 4 | OS315BS40FK | 1SCA022870R9630 |

Recommended accessories: Shrouds

Snap-on mounting, grey plastic, IP 3X from front. Transparent shrouds available on request. For more details see page 84.

| Suitable for switches | Description | Number of poles | Type | Order number |
|---|-------------|-----------------|-------------|-----------------|
| OS/OSM315...400 | Long type | 3 | OSS400G1L/3 | 1SCA022776R6650 |
| OS/OSM315...400 | Short type | 3 | OSS400G1S/3 | 1SCA022776R6900 |
| OS/OSM315...400 | Long type | 4 | OSS400G1L/4 | 1SCA022776R6730 |
| OS/OSM315...400 | Short type | 4 | OSS400G1S/4 | 1SCA022776R7030 |
| Terminal shrouds suitable for mechanism with detachable integrated neutral (N3 versions) | | | | |
| OS/OSM315...400_N3_ | Long type | 3+N | OSS250G1L | 1SCA022727R5080 |
| OS/OSM315...400_N3_ | Short type | 3+N | OSS250G1S | 1SCA022727R4940 |

Manual operated switch fuses, IEC

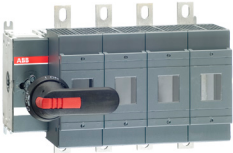
Ordering information for BS-type, 400 A



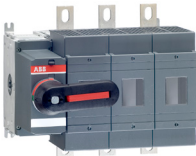
OS315...400B03P



OS400B03N3P



OS400B04FP



OS400B03K



OSS250G1SH

Manual operated switch fuses, BS-type, 400 A

Including terminal bolt set M8x25. Mechanism located at the end of the switch. The handles are IP65 protected, padlockable in the OFF-position and with door interlock in the ON-position.

N1 = Non-fused switched neutral on the left side

F = Switched fusible neutral

N3 = Detachable neutral link integrated into the mechanism

Front operated

| Rated current [A] | Fuse size | Number of poles | Type | Order number |
|---|-----------|-----------------|-------------|-----------------|
| Shaft and handle not included | | | | |
| 400 | B1-B4 | 2 | OS400B02 | 1SCA022813R7140 |
| 400 | B1-B4 | 3 | OS400B03 | 1SCA022737R4900 |
| 400 | B1-B4 | 3+N | OS400B03N3 | 1SCA022753R9830 |
| 400 | B1-B4 | 4 | OS400B04F | 1SCA022754R4590 |
| With 200 mm shaft and external handle OHB95J12 | | | | |
| 400 | B1-B4 | 2 | OS400B02P | 1SCA022813R7220 |
| 400 | B1-B4 | 3 | OS400B03P | 1SCA022719R0840 |
| 400 | B1-B4 | 3+N | OS400B03N3P | 1SCA022753R9160 |
| 400 | B1-B4 | 4 | OS400B04FP | 1SCA022753R6900 |
| With direct mount handle OSV400BK | | | | |
| 400 | B1-B4 | 3 | OS400B03K | 1SCA022763R6790 |

Side operated

| Rated current [A] | Fuse size | Number of poles | Type | Order number |
|--|-----------|-----------------|-------------|-----------------|
| Shaft and handle not included | | | | |
| 400 | B1-B4 | 3 | OS400BS30 | 1SCA022871R0130 |
| 400 | B1-B4 | 4 | OS400BS40F | 1SCA022871R0300 |
| With direct mount handle OHB95D12 | | | | |
| 400 | B1-B4 | 3 | OS400BS30K | 1SCA022871R0210 |
| 400 | B1-B4 | 4 | OS400BS40FK | 1SCA022871R0480 |

Recommended accessories: Shrouds

Snap-on mounting, grey plastic, IP 3X from front. Transparent shrouds available on request. For more details see page 84.

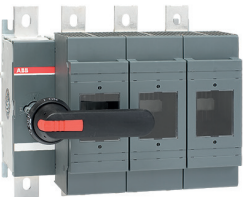
| Suitable for switches | Description | Number of poles | Type | Order number |
|---|-------------|-----------------|-------------|-----------------|
| OS/OSM315...400 | Long type | 3 | OSS400G1L/3 | 1SCA022776R6650 |
| OS/OSM315...400 | Short type | 3 | OSS400G1S/3 | 1SCA022776R6900 |
| OS/OSM315...400 | Long type | 4 | OSS400G1L/4 | 1SCA022776R6730 |
| OS/OSM315...400 | Short type | 4 | OSS400G1S/4 | 1SCA022776R7030 |
| Terminal shrouds suitable for mechanism with detachable integrated neutral (N3 versions) | | | | |
| OS/OSM315...400_N3_ | Long type | 3+N | OSS250G1L | 1SCA022727R5080 |
| OS/OSM315...400_N3_ | Short type | 3+N | OSS250G1S | 1SCA022727R4940 |

Manual operated switch fuses, IEC

Ordering information for BS-type, 630 A



OS630B02P



OS630B03N3P



OS630B03K



OS630BS30



OS630BS40N2K



OSS800G1S

Manual operated switch fuses, BS-type, 630 A

Including terminal bolt set M12X40. Mechanism located at the end of the switch. The handles are IP65 protected, padlockable in the OFF-position and with door interlock in the ON-position.

N1 = Non-fused switched neutral on the left side

F = Switched fusible neutral

N3 = Detachable neutral link integrated into the mechanism

Front operated

| Rated current [A] | Fuse size | Number of poles | Type | Order number |
|--------------------------------------|-----------|-----------------|------------|-----------------|
| Shaft and handle not included | | | | |
| 630 | C1-C2 | 2 | OS630B02 | 1SCA113528R1001 |
| 630 | C1-C2 | 3 | OS630B03 | 1SCA022825R5770 |
| 630 | C1-C2 | 3+N | OS630B03N3 | 1SCA106295R1001 |
| 630 | C1-C2 | 4 | OS630B04N1 | 1SCA022837R7020 |
| 630 | C1-C2 | 4 | OS630B04F | 1SCA022825R5930 |

With 280 mm shaft and external handle OHB145J12

| | | | | |
|-----|-------|-----|-------------|-----------------|
| 630 | C1-C2 | 2 | OS630B02P | 1SCA113529R1001 |
| 630 | C1-C2 | 3 | OS630B03P | 1SCA022825R5850 |
| 630 | C1-C2 | 3+N | OS630B03N3P | 1SCA100860R1001 |
| 630 | C1-C2 | 4 | OS630B04N1P | 1SCA022837R7110 |
| 630 | C1-C2 | 4 | OS630B04FP | 1SCA022825R6070 |

With direct mount handle OSV800BK

| | | | | |
|-----|-------|---|------------|-----------------|
| 630 | C1-C2 | 3 | OS630B03K | 1SCA108708R1001 |
| 630 | C1-C2 | 4 | OS630B04FK | 1SCA110317R1001 |

Side operated

| Shaft and handle not included | | | | |
|---|-------|---|-------------|-----------------|
| 630 | C1-C2 | 3 | OS630BS30 | 1SCA108147R1001 |
| 630 | C1-C2 | 4 | OS630BS40F | 1SCA108149R1001 |
| With direct mount handle OHB145D12 | | | | |
| 630 | C1-C2 | 3 | OS630BS30K | 1SCA108148R1001 |
| 630 | C1-C2 | 4 | OS630BS40FK | 1SCA108150R1001 |

Recommended accessories: Shrouds

Snap-on mounting, grey plastic, IP 3X from front. Transparent shrouds available on request. For more details see page 84.

| Suitable for switches | Description | Number of poles | Type | Order number |
|---|-------------|-----------------|-------------|-----------------|
| OS/OSM600...800 | Long type | 3 | OSS800G1L/3 | 1SCA022776R7200 |
| OS/OSM600...800 | Short type | 3 | OSS800G1S/3 | 1SCA022776R7540 |
| OS/OSM600...800 | Long type | 4 | OSS800G1L/4 | 1SCA022776R7380 |
| OS/OSM600...800 | Short type | 4 | OSS800G1S/4 | 1SCA022776R7460 |
| Terminal shrouds suitable for mechanism with detachable integrated neutral (N3 versions) | | | | |
| OS/OSM630...800_N3_ | Long type | 3+N | OTS800G1L | 1SCA022776R7710 |
| OS/OSM630...800_N3_ | Short type | 3+N | OTS800G1S | 1SCA022776R8010 |

Manual operated switch fuses, IEC

Ordering information for BS-type, 800 A



OS800B02P



OS800B03N3P



OS800BS30



OS800BS40N2K



OSS800G1L



OSS800G1S

Manual operated switch fuses, BS-type, 800 A

Including terminal bolt set M12X40. Mechanism located at the end of the switch. The handles are IP65 protected, padlockable in the OFF-position and with door interlock in the ON-position.

N1 = Non-fused switched neutral on the left side

F = Switched fusible neutral

N3 = Detachable neutral link integrated into the mechanism

Front operated

| Rated current [A] | Fuse size | Number of poles | Type | Order number |
|--------------------------------------|-----------|-----------------|------------|-----------------|
| Shaft and handle not included | | | | |
| 800 | C1-C3 | 2 | OS800B02 | 1SCA022837R6560 |
| 800 | C1-C3 | 3 | OS800B03 | 1SCA022825R7470 |
| 800 | C1-C3 | 3+N | OS800B03N3 | 1SCA110102R1001 |
| 800 | C1-C3 | 4 | OS800B04N1 | 1SCA022837R6050 |
| 800 | C1-C3 | 4 | OS800B04F | 1SCA022825R7710 |

With 280 mm shaft and external handle OHB145J12

| | | | | |
|-----|-------|-----|-------------|-----------------|
| 800 | C1-C3 | 2 | OS800B02P | 1SCA022837R6480 |
| 800 | C1-C3 | 3 | OS800B03P | 1SCA022825R7550 |
| 800 | C1-C3 | 3+N | OS800B03N3P | 1SCA100861R1001 |
| 800 | C1-C3 | 4 | OS800B04N1P | 1SCA022837R6130 |
| 800 | C1-C3 | 4 | OS800B04FP | 1SCA022825R7800 |

With direct mount handle OSV800BK

| | | | | |
|-----|-------|---|------------|-----------------|
| 800 | C1-C3 | 3 | OS800B03K | 1SCA108713R1001 |
| 800 | C1-C3 | 4 | OS800B04FK | 1SCA110316R1001 |

Side operated

| Shaft and handle not included | | | | |
|--------------------------------------|-------|---|------------|-----------------|
| 800 | C1-C3 | 3 | OS800BS30 | 1SCA108083R1001 |
| 800 | C1-C3 | 4 | OS800BS40F | 1SCA108085R1001 |

With direct mount handle OHB145D12

| | | | | |
|-----|-------|---|-------------|-----------------|
| 800 | C1-C3 | 3 | OS800BS30K | 1SCA108084R1001 |
| 800 | C1-C3 | 4 | OS800BS40FK | 1SCA108102R1001 |

Recommended accessories: Shrouds

Snap-on mounting, grey plastic, IP 3X from front. Transparent shrouds available on request. For more details see page 84.

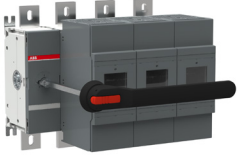
| Suitable for switches | Description | Number of poles | Type | Order number |
|-----------------------|-------------|-----------------|-------------|-----------------|
| OS/OSM600...800 | Long type | 3 | OSS800G1L/3 | 1SCA022776R7200 |
| OS/OSM600...800 | Short type | 3 | OSS800G1S/3 | 1SCA022776R7540 |
| OS/OSM600...800 | Long type | 4 | OSS800G1L/4 | 1SCA022776R7380 |
| OS/OSM600...800 | Short type | 4 | OSS800G1S/4 | 1SCA022776R7460 |

Terminal shrouds suitable for mechanism with detachable integrated neutral (N3 versions)

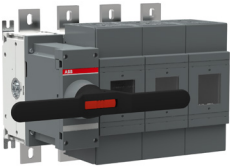
| | | | | |
|---------------------|------------|-----|-----------|-----------------|
| OS/OSM630...800_N3_ | Long type | 3+N | OTS800G1L | 1SCA022776R7710 |
| OS/OSM630...800_N3_ | Short type | 3+N | OTS800G1S | 1SCA022776R8010 |

Manual operated switch fuses, IEC

Ordering information for BS type, 1250 A



OS1250B03N3P



OS1250B03N3K

Manual operated switch fuses, BS type, 1250 A

Including terminal bolt set M12X50. Mechanism located at the end of the switch. The handles are IP65 protected, padlockable in the OFF-position and with door interlock in the ON-position.

Front operated

| Rated current [A] | Fuse size | Number of poles | Type | Order number |
|--|-----------|-----------------|--------------|-----------------|
| Shaft and handle not included | | | | |
| 1250 ¹⁾ | D1 | 2 | OS1250B02 | 1SCA114069R1001 |
| 1250 ¹⁾ | D1 | 3 | OS1250B03 | 1SCA105249R1001 |
| 1250 ¹⁾ | D1 | 3+N | OS1250B03N3 | 1SCA127485R1001 |
| 1250 ¹⁾ | D1 | 4 | OS1250B04F | 1SCA105257R1001 |
| With 395 mm shaft and external handle OHB274J12 | | | | |
| 1250 ¹⁾ | D1 | 2 | OS1250B02P | 1SCA114070R1001 |
| 1250 ¹⁾ | D1 | 3 | OS1250B03P | 1SCA105250R1001 |
| 1250 ¹⁾ | D1 | 3+N | OS1250B03N3P | 1SCA107936R1001 |
| 1250 ¹⁾ | D1 | 4 | OS1250B04FP | 1SCA105258R1001 |
| With direct mount handle OSV1250DK | | | | |
| 1250 ¹⁾ | D1 | 3 | OS1250B03K | 1SCA108715R1001 |

¹⁾ 1250A / AC-20...22A, 1000A / AC-23A.

Recommended accessories: Shrouds

Snap-on mounting, grey plastic, IP 3X from front. Transparent shrouds available on request. For more details see page 84.

| Suitable for switches | Description | Number of poles | Type | Order number |
|---|-------------|-----------------|--------------|-----------------|
| OS1200...1250 | Long type | 3 | OSS1250G1L/3 | 1SCA107938R1001 |
| OS1200...1250 | Short type | 3 | OSS1250G1S/3 | 1SCA107939R1001 |
| OS1200...1250 | Long type | 4 | OSS1250G1L/4 | 1SCA107940R1001 |
| OS1200...1250 | Short type | 4 | OSS1250G1S/4 | 1SCA107941R1001 |
| Terminal shrouds suitable for mechanism with detachable integrated neutral (N3 versions) | | | | |
| OS1200...1250/OSM1250_N3_ | Long type | 3+N | OTS1600G1L | 1SCA106134R1001 |
| OS1200...1250/OSM1250_N3_ | Short type | 3+N | OTS1600G1S | 1SCA102667R1001 |

Special connected switch fuses, IEC

Ordering information for BS-type, 125...200 A



OS125G...160GB12LR



OS125GB21LR



OS125GB22LR



OS125...160GB03BB



OS200B03BB

Special connected switch fuses, BS-type, 125...200 A

Including terminal bolt set M8x25. Mechanism located at the end of the switch. The handles are IP65 protected, padlockable in the OFF-position and with door interlock in the ON-position.

G = Gamma range from switch fuses from 125 to 160 Amperes

N1 = Non-fused switched neutral on the left side

N2 = Non-fused switched neutral on the right side

N3 = Detachable neutral link integrated into the mechanism

F = Switched fusible neutral

Front operated with back in - back out connection

| Rated current [A] | Fuse size | Number of poles | Type | Order number |
|--------------------------------------|---------------------|-----------------|---------------|-----------------|
| Shaft and handle not included | | | | |
| 125 | A2-A4 ³⁾ | 3 | OS125GB03BB | 1SCA120782R1001 |
| 125 | A2-A4 ³⁾ | 4 | OS125GB04BBN2 | 1SCA120784R1001 |
| 160 | A2-A4 ³⁾ | 3 | OS160GB03BB | 1SCA120656R1001 |
| 160 | A2-A4 ³⁾ | 4 | OS160GB04BBN2 | 1SCA120664R1001 |
| 200 | B1-B2 ²⁾ | 3 | OS200B03BB | 1SCA102083R1001 |
| 200 | B1-B2 ²⁾ | 4 | OS200B04BBN2 | 1SCA102137R1001 |

With 161 mm shaft and external handle OHB65J6

| | | | | |
|-----|---------------------|---|----------------|-----------------|
| 125 | A2-A4 ³⁾ | 3 | OS125GB03BBP | 1SCA120783R1001 |
| 125 | A2-A4 ³⁾ | 4 | OS125GB04BBN2P | 1SCA120785R1001 |
| 160 | A2-A4 ³⁾ | 3 | OS160GB03BBP | 1SCA120657R1001 |
| 160 | A2-A4 ³⁾ | 4 | OS160GB04BBN2P | 1SCA120665R1001 |
| 200 | B1-B2 ²⁾ | 3 | OS200B03BBP | 1SCA102082R1001 |
| 200 | B1-B2 ²⁾ | 4 | OS200B04BBN2P | 1SCA102123R1001 |

³⁾ Max fuse diameter 32 mm.

Front operated with left in - right out connection

| Shaft and handle not included | | | | |
|--------------------------------------|---------------------|---|-------------|-----------------|
| 125 | A2-A4 ³⁾ | 3 | OS125GB12LR | 1SCA120257R1001 |
| 125 | A2-A4 ³⁾ | 4 | OS125GB21LR | 1SCA120259R1001 |
| 125 | A2-A4 ³⁾ | 4 | OS125GB22LR | 1SCA120264R1001 |
| 160 | A2-A4 ³⁾ | 3 | OS160GB12LR | 1SCA123716R1001 |
| 160 | A2-A4 ³⁾ | 4 | OS160GB21LR | 1SCA120272R1001 |
| 160 | A2-A4 ³⁾ | 4 | OS160GB22LR | 1SCA120276R1001 |

With 161 mm shaft and external handle OHB65J6

| | | | | |
|-----|---------------------|---|--------------|-----------------|
| 125 | A2-A4 ³⁾ | 3 | OS125GB12LRP | 1SCA120258R1001 |
| 125 | A2-A4 ³⁾ | 4 | OS125GB21LRP | 1SCA120261R1001 |
| 125 | A2-A4 ³⁾ | 4 | OS125GB22LRP | 1SCA120265R1001 |
| 160 | A2-A4 ³⁾ | 3 | OS160GB12LRP | 1SCA120271R1001 |
| 160 | A2-A4 ³⁾ | 4 | OS160GB21LRP | 1SCA120273R1001 |
| 160 | A2-A4 ³⁾ | 4 | OS160GB22LRP | 1SCA120277R1001 |

Special connected switch fuses, IEC

Ordering information for BS-type, 250...400 A



OS250B12LR



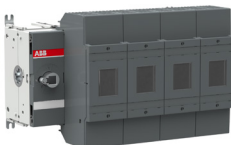
OS250...400B03BB



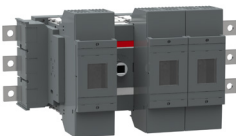
OS250...400B04BBN2



OS400B03BB



OS400B04BB



OS400B12LR

Special connected switch fuses, BS-type, 250...400

Including terminal bolt set M10X30. Mechanism located at the end of the switch. The handles are IP65 protected, padlockable in the OFF-position and with door interlock in the ON-position.

N2 = Non-fused switched neutral on the right side

Front operated with back in- back out connection

| Rated current [A] | Fuse size | Number of poles | Type | Order number |
|--|-----------|-----------------|---------------|-----------------|
| Shaft and handle not included | | | | |
| 250 | B1-B3 | 3 | OS250B03BB | 1SCA102173R1001 |
| 250 | B1-B3 | 4 | OS250B04BBN2 | 1SCA102175R1001 |
| With 161 mm shaft and external handle OHB65J6 | | | | |
| 250 | B1-B3 | 3 | OS250B03BBP | 1SCA102168R1001 |
| 250 | B1-B3 | 4 | OS250B04BBN2P | 1SCA102164R1001 |

Front operated with left in-right out connection

| Shaft and handle not included | | | | |
|--|-------|---|-------------|-----------------|
| 250 | B1-B3 | 3 | OS250B12LR | 1SCA022854R5420 |
| 250 | B1-B3 | 4 | OS250B21LR | 1SCA022854R5510 |
| 250 | B1-B3 | 4 | OS250B22LR | 1SCA022854R7120 |
| With 161 mm shaft and external handle OHB65J6 | | | | |
| 250 | B1-B3 | 3 | OS250B12LRP | 1SCA022854R5690 |
| 250 | B1-B3 | 4 | OS250B21LRP | 1SCA022854R5850 |
| 250 | B1-B3 | 4 | OS250B22LRP | 1SCA022854R7210 |

Front operated with back in- back out connection

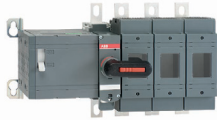
| Rated current [A] | Fuse size | Number of poles | Type | Order number |
|--|-----------|-----------------|---------------|-----------------|
| Shaft and handle not included | | | | |
| 400 | B1-B4 | 3 | OS400B03BB | 1SCA102250R1001 |
| 400 | B1-B4 | 4 | OS400B04BBN2 | 1SCA102239R1001 |
| With 161 mm shaft and external handle OHB65J6 | | | | |
| 400 | B1-B4 | 3 | OS400B03BBP | 1SCA102252R1001 |
| 400 | B1-B4 | 4 | OS400B04BBN2P | 1SCA102248R1001 |

Front operated with left in-right out connection

| Shaft and handle not included | | | | |
|--|-------|---|-------------|-----------------|
| 400 | B1-B4 | 3 | OS400B12LR | 1SCA022855R1230 |
| 400 | B1-B4 | 4 | OS400B21LR | 1SCA022855R1310 |
| 400 | B1-B4 | 4 | OS400B22LR | 1SCA022855R2630 |
| With 161 mm shaft and external handle OHB65J6 | | | | |
| 400 | B1-B4 | 3 | OS400B12LRP | 1SCA022855R1400 |
| 400 | B1-B4 | 4 | OS400B21LRP | 1SCA022855R1580 |
| 400 | B1-B4 | 4 | OS400B22LRP | 1SCA022855R2710 |

Motorized switch fuses, IEC

Ordering information for BS type, 32...1250 A



OSM250B3N3M230C



OSM250B4N1M230C



OSM315B3N3M230C

Motorized switch fuses OSM, BS type, 32...1250 A

Including a handle for manual operation, bolt kit with nut and washers for all terminals (100A...1250A), male connectors for control circuit and a handle and spare fuse storage clip. Type codes for motor voltage $U_e = 220-240$ VAC.

G = Gamma range from switch fuses from 32 to 160 Amperes

N2 = Non-fused switched neutral on the left side

N3 = Detachable neutral link integrated into the mechanism

Switched fusible neutral available on request.

Front operated

| Rated current [A] | Fuse size | Number of poles | Type | Order number |
|--------------------------------------|-----------|-----------------|------------------|-----------------|
| Shaft and handle not included | | | | |
| 32 | A2-A3 | 3 | OSM32GB3M230C | 1SCA116662R1001 |
| 32 | A2-A3 | 4 | OSM32GB4N1M230C | 1SCA118775R1001 |
| 63 | A2-A3 | 3 | OSM63GB3M230C | 1SCA116657R1001 |
| 63 | A2-A3 | 4 | OSM63GB4N1M230C | 1SCA118776R1001 |
| 100 | A2-A4 | 3 | OSM100GB3M230C | 1SCA116679R1001 |
| 100 | A2-A4 | 4 | OSM100GB4N1M230C | 1SCA118779R1001 |
| 125 | A2-A4 | 3 | OSM125GB3M230C | 1SCA116677R1001 |
| 125 | A2-A4 | 4 | OSM125GB4N1M230C | 1SCA118780R1001 |
| 160 | A2-A4 | 3 | OSM160GB3M230C | 1SCA116670R1001 |
| 160 | A2-A4 | 4 | OSM160GB4N1M230C | 1SCA118781R1001 |
| 200 | B1-B2 | 3 | OSM200B3M230C | 1SCA104272R1001 |
| 200 | B1-B2 | 3+N | OSM200B3N3M230C | 1SCA104323R1001 |
| 200 | B1-B2 | 4 | OSM200B4N1M230C | 1SCA118784R1001 |
| 250 | B1-B3 | 3 | OSM250B3M230C | 1SCA104287R1001 |
| 250 | B1-B3 | 3+N | OSM250B3N3M230C | 1SCA104290R1001 |
| 250 | B1-B3 | 4 | OSM250B4N1M230C | 1SCA118785R1001 |
| 315 | B1-B4 | 3 | OSM315B3M230C | 1SCA104303R1001 |
| 315 | B1-B4 | 3+N | OSM315B3N3M230C | 1SCA104306R1001 |
| 315 | B1-B4 | 4 | OSM315B4N1M230C | 1SCA118788R1001 |
| 400 | B1-B4 | 3 | OSM400B3M230C | 1SCA104310R1001 |
| 400 | B1-B4 | 3+N | OSM400B3N3M230C | 1SCA104312R1001 |
| 400 | B1-B4 | 4 | OSM400B4N1M230C | 1SCA118789R1001 |
| 630 | C1-C2 | 3 | OSM630B3M230C | 1SCA104516R1001 |
| 630 | C1-C2 | 3+N | OSM630B3N3M230C | 1SCA104535R1001 |
| 630 | C1-C2 | 4 | OSM630B4N1M230C | 1SCA118791R1001 |
| 800 | C1-C3 | 3 | OSM800B3M230C | 1SCA104520R1001 |
| 800 | C1-C3 | 3+N | OSM800B3N3M230C | 1SCA104536R1001 |
| 800 | C1-C3 | 4 | OSM800B4N1M230C | 1SCA118792R1001 |
| 1250 | D1 | 3 | OSM1250B3M230C | 1SCA112552R1001 |
| 1250 | D1 | 3+N | OSM1250B3N3M230C | 1SCA112550R1001 |
| 1250 | D1 | 4 | OSM1250B4N1M230C | 1SCA118795R1001 |

Handles and bolt kits included as standard

| Suitable for switches | Handle+shaft kit |
|-----------------------|------------------|
| OSM32...63 | OTV250EMK |
| OSM100...200 | OTV250EMK |
| OSM250 | OTV250EMK |
| OSM315...400 | OTV400EMK |
| OSM630...800 | OTV800EMK |
| OSM1250 | OTV1000EMK |



Switch fuses NFC type

Ordering information

| | |
|---|----|
| Manual operated switch fuses, NFC type, 25...50 A | 65 |
| Manual operated switch fuses, NFC type, 125 A | 66 |

Manual operated switch fuses, IEC

Ordering information for NFC type, 25...50 A



OS50GF04FP



OS50GFS40FK

Manual operated switch fuses, NFC type, 25...50 A

Protected tunnel terminals, IP20. Mechanism located at the end of the switch. The handles are IP65 protected, padlockable in the OFF-position and with door interlock in the ON-position.

F = OS Mini range switch fuses from 25 to 32 Amperes
G = Gamma range from switch fuses 50 Amperes

N1 = Non-fused switched neutral on the left side
F = Switched fusible neutral

Front operated

| Rated current [A] | Fuse size | Number of poles | Type | Order number |
|--|-----------|-----------------|----------------|-----------------|
| Shaft and handle not included | | | | |
| 25 | 10x38 | 3 | OS25FF1210-2 | 1SCA108801R1001 |
| 25 | 10x38 | 4 | OS25FF2210N1-2 | 1SCA108806R1001 |
| 32 | 14x51 | 3 | OS32FF1214-2 | 1SCA108888R1001 |
| 32 | 14x51 | 4 | OS32FF2214N1-2 | 1SCA108889R1001 |
| 50 | 14x51 | 2 | OS50GF02 | 1SCA116798R1001 |
| 50 | 14x51 | 3 | OS50GF03 | 1SCA115490R1001 |
| 50 | 14x51 | 4 | OS50GF04F | 1SCA115497R1001 |
| With 150 mm shaft and external handle OHB65J6 | | | | |
| 25 | 10x38 | 3 | OS25FF1210 | 1SCA108636R1001 |
| 25 | 10x38 | 4 | OS25FF2210N1 | 1SCA108638R1001 |
| 32 | 14x51 | 3 | OS32FF1214 | 1SCA115498R1001 |
| With 161 mm shaft and external handle OHB45J6 | | | | |
| 50 | 14x51 | 2 | OS50GF02P | 1SCA118345R1001 |
| 50 | 14x51 | 3 | OS50GF03P | 1SCA115492R1001 |
| 50 | 14x51 | 4 | OS50GF04FP | 1SCA115498R1001 |

Side operated

| Rated current [A] | Fuse size | Number of poles | Type | Order number |
|---|-----------|-----------------|---------------|-----------------|
| Shaft and handle not included | | | | |
| 25 | 10x38 | 3 | OS25FFS3010-2 | 1SCA108808R1001 |
| 32 | 14x51 | 3 | OS32FFS3014-2 | 1SCA108890R1001 |
| 50 | 14x51 | 3 | OS50GFS30 | 1SCA116050R1001 |
| 50 | 14x51 | 4 | OS50GFS40F | 1SCA116014R1001 |
| With 70 mm shaft and external handle OHB65J6 | | | | |
| 25 | 10x38 | 3 | OS25FFS3010 | 1SCA108639R1001 |
| 32 | 14x51 | 3 | OS32FFS3014 | 1Sca108646R1001 |
| With direct mount handle OHB65D6 | | | | |
| 50 | 14x51 | 3 | OS50GFS30K | 1SCA116404R1001 |
| 50 | 14x51 | 4 | OS50GFS40FK | 1SCA116425R1001 |

Manual operated switch fuses, IEC

Ordering information for NFC type, 125 A



OS125GFS40FK

Manual operated switch fuses, NFC type, 125 A

Including terminal bolt set M8x25. Mechanism located at the end of the switch. The handles are IP65 protected, padlockable in the OFF-position and with door interlock in the ON-position.

G = Gamma range from switch fuses 125 Amperes

N1 = Non-fused switched neutral on the left side

F = Switched fusible neutral

Front operated

| Rated current [A] | Fuse size | Number of poles | Type | Order number |
|--|-----------|-----------------|-------------|-----------------|
| Shaft and handle not included | | | | |
| 125 | 22x58 | 2 | OS125GF02 | 1SCA116852R1001 |
| 125 | 22x58 | 3 | OS125GF03 | 1SCA115601R1001 |
| 125 | 22x58 | 4 | OS125GF04F | 1SCA115605R1001 |
| With 161 mm shaft and external handle OHB65J6 | | | | |
| 125 | 22x58 | 2 | OS125GF02P | 1SCA116727R1001 |
| 125 | 22x58 | 3 | OS125GF03P | 1SCA115602R1001 |
| 125 | 22x58 | 4 | OS125GF04FP | 1SCA115606R1001 |

Side operated

| Shaft and handle not included | | | | |
|---|-------|---|--------------|-----------------|
| 125 | 22x58 | 3 | OS125GFS30 | 1SCA115973R1001 |
| 125 | 22x58 | 4 | OS125GFS40F | 1SCA115975R1001 |
| With direct mount handle OHB65D6 | | | | |
| 125 | 22x58 | 3 | OS125GFS30K | 1SCA115944R1001 |
| 125 | 22x58 | 4 | OS125GFS40FK | 1SCA115946R1001 |

Recommended accessories: Shrouds

Snap-on mounting, grey plastic, IP 3X from front. Transparent shrouds available on request. For more details see page 86.

| Suitable for switches | Description | Number of poles | Type | Order number |
|-----------------------|-------------|-----------------|--------------|-----------------|
| OS/OSM100G...160G | Long type | 3 | OSS160GG1L/3 | 1SCA114764R1001 |
| OS/OSM100G...160G | Short type | 3 | OSS160GG1S/3 | 1SCA114766R1001 |
| OS/OSM100G...160G | Long type | 4 | OSS160GG1L/4 | 1SCA114765R1001 |
| OS/OSM100G...160G | Short type | 4 | OSS160GG1S/4 | 1SCA114767R1001 |



Fusible disconnect switches, UL/CSA

Ordering information

| | |
|---|----|
| Fusible disconnect switches, CC and J types, 30A | 69 |
| Fusible disconnect switches, J type, 60 A | 70 |
| Fusible disconnect switches, J type, 100 A | 71 |
| Fusible disconnect switches, J type, 200 A | 72 |
| Fusible disconnect switches, J type, 400 A | 73 |
| Fusible disconnect switches, J type, 600 A | 74 |
| Fusible disconnect switches, L type, 800...1200 A | 75 |

Manual operated fusible disconnect switches, UL/CSA

Ordering information for CC and J types, 30 A



OS30FACC12P



OS30FAJ12

Manual operated fusible disconnect switches, CC and J types, 30 A

Protected tunnel terminals, IP20, cable size 0.5...10 mm², (AWG 18 - 8). Mechanism at the end of the switch. The handle is NEMA 1, 3R, 12 protected, padlockable in the OFF-position and with door interlock in the ON-position.

F = OS Mini range switch fuse 30 Amperes

F = Switched fusible neutral

Front operated

| Rated current [A] | Fuse size | Number of poles | Type | Order number |
|--|-----------|-----------------|-------------|-----------------|
| Shaft and handle not included | | | | |
| 30 | CC, 30 A | 3 | OS30FACC12 | 1SCA108813R1001 |
| 30 | CC, 30 A | 4 | OS30FACC22F | 1SCA108819R1001 |
| 30 | J, 30 A | 3 | OS30FAJ12 | 1SCA108824R1001 |
| 30 | J, 30 A | 4 | OS30FAJ22F | 1SCA108829R1001 |
| With 150 mm shaft and external handle OHB65J6 | | | | |
| 30 | CC, 30 A | 3 | OS30FACC12P | 1SCA108817R1001 |
| 30 | J, 30 A | 3 | OS30FAJ12P | 1SCA108828R1001 |
| 30 | J, 30 A | 4 | OS30FAJ22FP | 1SCA108831R1001 |

Side operated

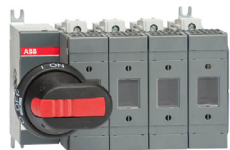
| Shaft and handle not included | | | | |
|--------------------------------------|----------|---|-------------|-----------------|
| 30 | CC, 30 A | 3 | OS30FACCS30 | 1SCA108822R1001 |
| 30 | J, 30 A | 3 | OS30FAJS30 | 1SCA108834R1001 |

Manual operated fusible disconnect switches, UL/CSA

Ordering information for J type, 60 A



OS60GJ03P



OS60GJ04FP



OS60GJS40F

Manual operated fusible disconnect switches, J type, 60 A

Protected tunnel terminals, IP20, cable size 2.5...25 mm² (AWG 14 - 4). Mechanism at the end of the switch. The handle is NEMA 1, 3R, 12 protected, padlockable in the OFF-position and with door interlock in the ON-position.

G = OS Gamma range switch fuse 60 Amperes

F = Switched fusible neutral

Front operated

| Rated current [A] | Fuse size | Number of poles | Type | Order number |
|--|-----------|-----------------|------------|-----------------|
| Shaft and handle not included | | | | |
| 60 | J, 60 A | 2 | OS60GJ02 | 1SCA121900R1001 |
| 60 | J, 60 A | 3 | OS60GJ03 | 1SCA115866R1001 |
| 60 | J, 60 A | 4 | OS60GJ04F | 1SCA115445R1001 |
| With 161 mm shaft and external handle OHB45J6 | | | | |
| 60 | J, 60 A | 2 | OS60GJ02P | 1SCA121901R1001 |
| 60 | J, 60 A | 3 | OS60GJ03P | 1SCA115443R1001 |
| 60 | J, 60 A | 4 | OS60GJ04FP | 1SCA115446R1001 |

Side operated

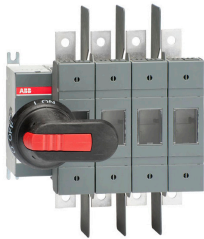
| Shaft and handle not included | | | | |
|--------------------------------------|---------|---|------------|-----------------|
| 60 | J, 60 A | 3 | OS60GJS30 | 1SCA116051R1001 |
| 60 | J, 60 A | 4 | OS60GJS40F | 1SCA115970R1001 |

Manual operated fusible disconnect switches, UL/CSA

Ordering information for J type, 100 A



OS100GJ03P



OS100GJ04FP



OS100GJS30

Manual operated fusible disconnect switches, J type, 100 A

Included terminal bolt set M8X25. Mechanism at the end of the switch. The handle is NEMA 1, 3R, 12 protected, padlockable in the OFF-position and with door interlock in the ON-position.

G = OS Gamma range switch fuses 100 Amperes

F = Switched fusible neutral

Front operated

| Rated current [A] | Fuse size | Number of poles | Type | Order number |
|--------------------------------------|-----------|-----------------|------------|-----------------|
| Shaft and handle not included | | | | |
| 100 | J, 100 A | 2 | OS100GJ02 | 1SCA121932R1001 |
| 100 | J, 100 A | 3 | OS100GJ03 | 1SCA115436R1001 |
| 100 | J, 100 A | 4 | OS100GJ04F | 1SCA115438R1001 |

With 161 mm shaft and external handle OHB65J6

| | | | | |
|-----|----------|---|-------------|-----------------|
| 100 | J, 100 A | 2 | OS100GJ02P | 1SCA121933R1001 |
| 100 | J, 100 A | 3 | OS100GJ03P | 1SCA114639R1001 |
| 100 | J, 100 A | 4 | OS100GJ04FP | 1SCA115439R1001 |

Side operated

| Shaft and handle not included | | | | |
|--------------------------------------|----------|---|-------------|-----------------|
| 100 | J, 100 A | 3 | OS100GJS30 | 1SCA115971R1001 |
| 100 | J, 100 A | 4 | OS100GJS40F | 1SCA115972R1001 |

Manual operated fusible disconnect switches, UL/CSA

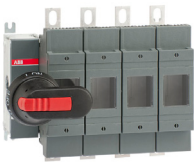
Ordering information for J type, 200 A



OS200J02P



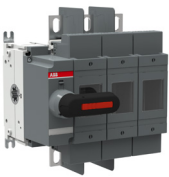
OS200J02P



OS200J04FP



OS200J02K



OS200J03K

Manual operated fusible disconnect switches, J type, 200 A

Included terminal bolt set M8X25. Mechanism at the end of the switch. The handle is NEMA 1, 3R, 12 protected, padlockable in the OFF-position and with door interlock in the ON-position.

F = Switched fusible neutral

Front operated

| Rated current [A] | Fuse size | Number of poles | Type | Order number |
|--|-----------|-----------------|------------|-----------------|
| Shaft and handle not included | | | | |
| 200 | J, 200 A | 2 | OS200J02 | 1SCA107591R1001 |
| 200 | J, 200 A | 3 | OS200J03 | 1SCA022733R6130 |
| 200 | J, 200 A | 4 | OS200J04F | 1SCA022758R9340 |
| With 210 mm shaft and external handle OHB65J6 | | | | |
| 200 | J, 200 A | 2 | OS200J02P | 1SCA107598R1001 |
| 200 | J, 200 A | 3 | OS200J03P | 1SCA022709R9760 |
| 200 | J, 200 A | 4 | OS200J04FP | 1SCA022758R9770 |
| With direct mount handle OSV200BK | | | | |
| 200 | J, 200 A | 3 | OS200J03K | 1SCA022763R5800 |

Side operated

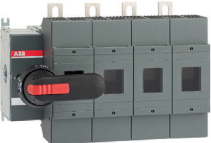
| Shaft and handle not included | | | | |
|---|----------|---|-------------|-----------------|
| 200 | J, 200 A | 3 | OS200JS30 | 1SCA022871R3910 |
| 200 | J, 200 A | 4 | OS200JS40F | 1SCA022871R4120 |
| With direct mount handle OHB65D6 | | | | |
| 200 | J, 200 A | 3 | OS200JS30K | 1SCA022871R4040 |
| 200 | J, 200 A | 4 | OS200JS40FK | 1SCA022871R4210 |

Manual operated fusible disconnect switches, UL/CSA

Ordering information for J type, 400 A



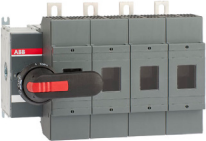
OS400J03P



OS400J04FP



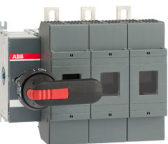
OS400J02P



OS400J04FP



OS400J03K



OS400J03P



OS400JS40FK

Manual operated fusible disconnect switches, J type, 400 A

Included terminal bolt set M10X40. Mechanism at the end of the switch. The handle is NEMA 1, 3R, 12 protected, padlockable in the OFF-position and with door interlock in the ON-position.

F = Switched fusible neutral

Front operated

| Rated current [A] | Fuse size | Number of poles | Type | Order number |
|---|-----------|-----------------|------------|-----------------|
| Shaft and handle not included | | | | |
| 400 | J, 400 A | 2 | OS400J02 | 1SCA107592R1001 |
| 400 | J, 400 A | 3 | OS400J03 | 1SCA022755R0810 |
| 400 | J, 400 A | 4 | OS400J04F | 1SCA022755R3660 |
| With 250 mm shaft and external handle OHB95J12 | | | | |
| 400 | J, 400 A | 2 | OS400J02P | 1SCA107596R1001 |
| 400 | J, 400 A | 3 | OS400J03P | 1SCA022719R1140 |
| 400 | J, 400 A | 4 | OS400J04FP | 1SCA022755R3740 |
| With direct mount handle OSV400BK | | | | |
| 400 | J, 400 A | 3 | OS400J03K | 1SCA117773R1001 |

Side operated

| Rated current [A] | Fuse size | Number of poles | Type | Order number |
|--|-----------|-----------------|-------------|-----------------|
| Shaft and handle not included | | | | |
| 400 | J, 400 A | 3 | OS400JS30 | 1SCA022871R4980 |
| 400 | J, 400 A | 4 | OS400JS40F | 1SCA022871R5100 |
| With direct mount handle OHB95D12 | | | | |
| 400 | J, 400 A | 3 | OS400JS30K | 1SCA022871R5010 |
| 400 | J, 400 A | 4 | OS400JS40FK | 1SCA022871R5280 |

Manual operated fusible disconnect switches, UL/CSA

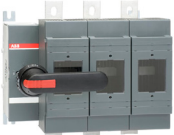
Ordering information for J type, 600 A



OS600J02P



OS600J02P



OS600J03P



OS600J04FP



OS600JS30K

Manual operated fusible disconnect switches, J type, 600 A

Included terminal bolt set M8X25. Mechanism at the end of the switch. The handle is NEMA 1, 3R, 12 protected, padlockable in the OFF-position and with door interlock in the ON-position.

F = Switched fusible neutral

Front operated

| Rated current [A] | Fuse size | Number of poles | Type | Order number |
|--|-----------|-----------------|------------|-----------------|
| Shaft and handle not included | | | | |
| 600 | J, 600 A | 2 | OS600J02 | 1SCA107593R1001 |
| 600 | J, 600 A | 3 | OS600J03 | 1SCA022825R8610 |
| 600 | J, 600 A | 4 | OS600J04F | 1SCA022839R3900 |
| With 280 mm shaft and external handle OHB145J12 | | | | |
| 600 | J, 600 A | 2 | OS600J02P | 1SCA107595R1001 |
| 600 | J, 600 A | 3 | OS600J03P | 1SCA022825R8870 |
| 600 | J, 600 A | 4 | OS600J04FP | 1SCA022839R4030 |
| With direct mount handle OSV200BK | | | | |
| 600 | J, 600 A | 3 | OS600J03K | 1SCA117774R1001 |

Side operated

| Shaft and handle not included | | | | |
|--|----------|---|-------------|-----------------|
| 600 | J, 600 A | 3 | OS600JS30 | 1SCA108111R1001 |
| 600 | J, 600 A | 4 | OS600JS40F | 1SCA108113R1001 |
| With direct mount handle OHB95D12 | | | | |
| 600 | J, 600 A | 3 | OS600JS30K | 1SCA108112R1001 |
| 600 | J, 600 A | 4 | OS600JS40FK | 1SCA108114R1001 |

Manual operated fusible disconnect switches, UL/CSA

Ordering information for L type, 800...1200 A



OS800L04FP

Manual operated fusible disconnect switches, L type, 800...1200 A

Included terminal bolt set OS800: M10X40, OS1200: M10X50. Mechanism at the end of the switch. The handle is NEMA 1, 3R, 12 protected, padlockable in the OFF-position and with door interlock in the ON-position.

F = Switched fusible neutral

Front operated

| Rated current [A] | Fuse size | Number of poles | Type | Order number |
|--|-----------|-----------------|-------------|-----------------|
| Shaft and handle not included | | | | |
| 800 | L, 800 A | 2 | OS800L02 | 1SCA116920R1001 |
| 800 | L, 800 A | 3 | OS800L03 | 1SCA022825R9760 |
| 800 | L, 800 A | 4 | OS800L04F | 1SCA022839R5350 |
| 1200 | L, 1200 A | 2 | OS1200L02 | 1SCA116924R1001 |
| 1200 | L, 1200 A | 3 | OS1200L03 | 1SCA105467R1001 |
| 1200 | L, 1200 A | 4 | OS1200L04F | 1SCA105465R1001 |
| With 280 mm shaft and external handle OHB145J12 | | | | |
| 800 | L, 800 A | 2 | OS800L02P | 1SCA116921R1001 |
| 800 | L, 800 A | 3 | OS800L03P | 1SCA022825R9920 |
| 800 | L, 800 A | 4 | OS800L04FP | 1SCA022839R5430 |
| With 395 mm shaft and external handle OHB274J12 | | | | |
| 1200 | L, 1200 A | 2 | OS1200L02P | 1SCA116925R1001 |
| 1200 | L, 1200 A | 3 | OS1200L03P | 1SCA105468R1001 |
| 1200 | L, 1200 A | 4 | OS1200L04FP | 1SCA105466R1001 |



ASEA
5 TON

REGISTRATION: 200808 02
MODEL: 2008 02
MATERIAL: 2008 02
ELECTRICAL: 2008 02
FACTORY FOR MOTOR PROTECTION
CE

ABB

AP

ABB

FOELER

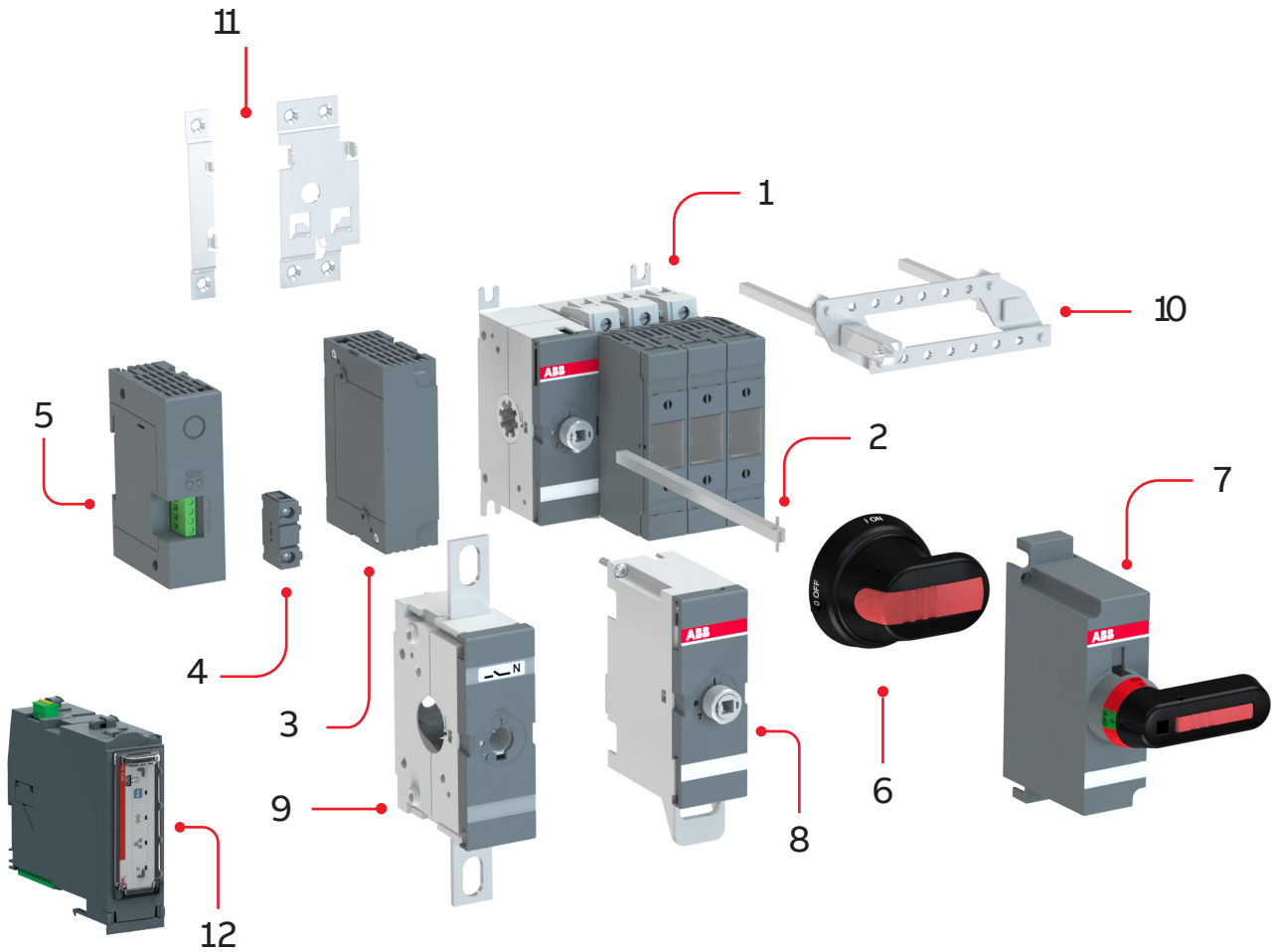
Selection overview

Ordering information

| | |
|--|----|
| Manual operated switch fuses 32...63 | 79 |
| Manual operated switch fuses 100...1250 | 80 |
| Motor operated switch fuses OSM32G...OSM1250 | 81 |

Manual operated switch fuses 32...63

Selection overview



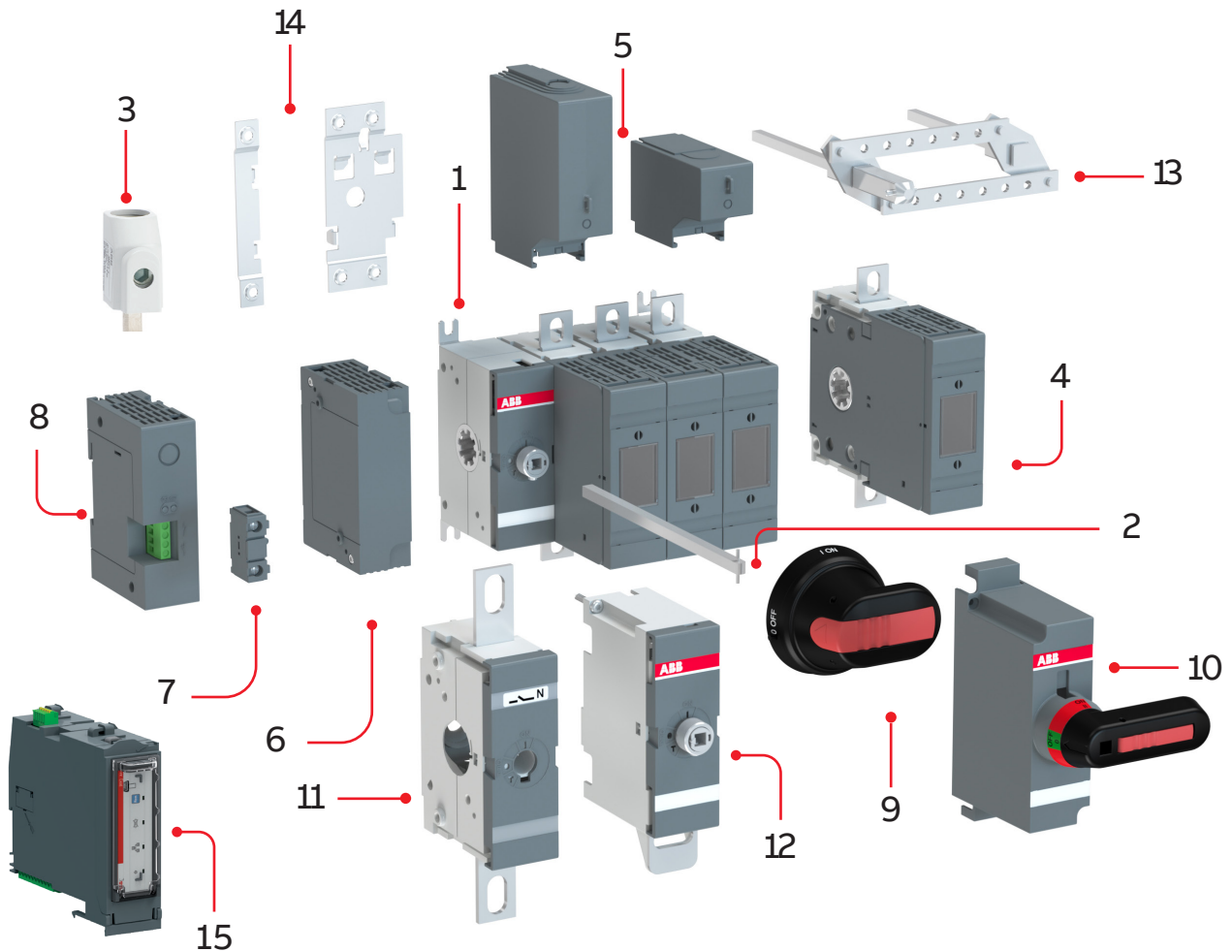
Accessory guide for OS32G...OS63G

- | | |
|----------------------------------|----------------------------|
| 1. Switch fuse | 7. Direct mounted handle |
| 2. Shaft | 8. Electrical interlock |
| 3. Module for auxiliary contacts | 9. Detachable neutral link |
| 4. Auxiliary contact | 10. Conversion kit |
| 5. Fuse monitor | 11. DIN rail mounting kit |
| 6. Pistol type handle | 12. Monitoring unit |

Please note that listed accessories are not automatically included in your order.
Ordering information for accessories from pages 69-72, 74-75, 77-78, 81 and 84-96.

Manual operated switch fuses 100...1250

Selection overview



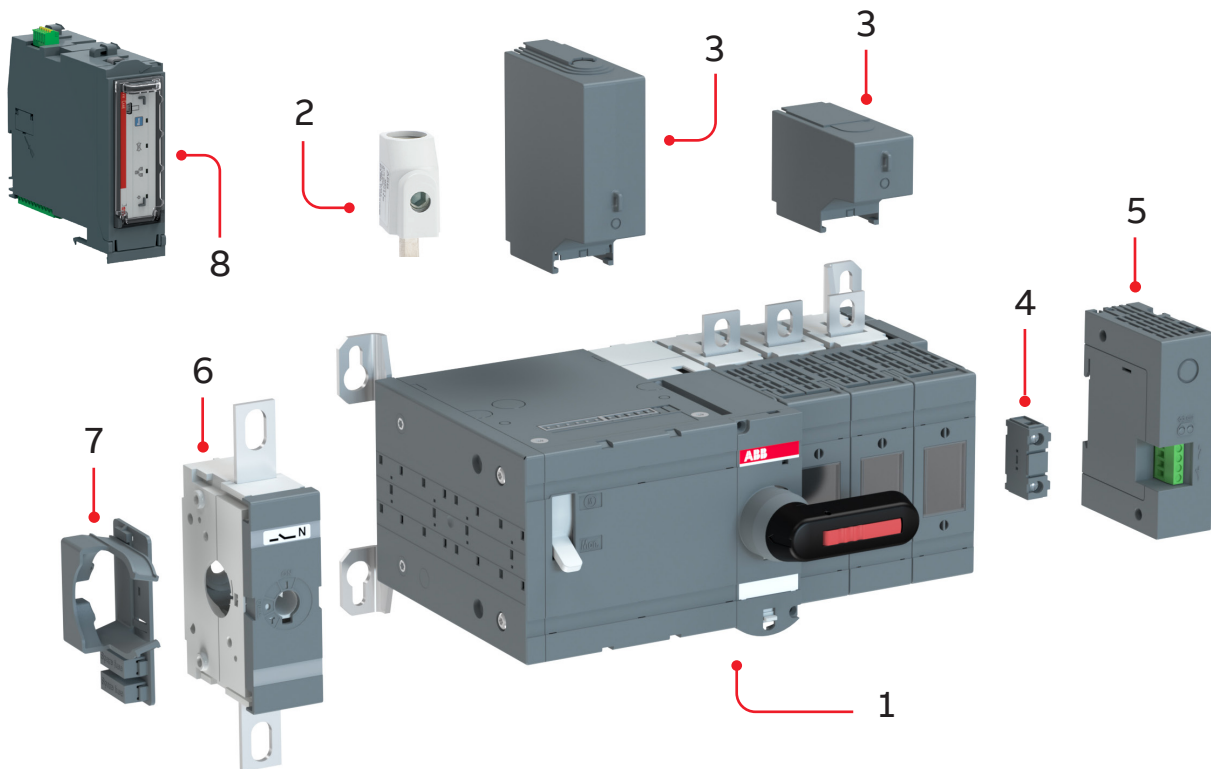
Accessory guide for OS100...1250

- | | | |
|---------------------------------|-----------------------------|---------------------------|
| 1. Switch fuse | 7. Auxiliary contact | 13. Conversion kit |
| 2. Shaft | 8. Fuse monitor | 14. DIN rail mounting kit |
| 3. Terminal clamp | 9. Pistol handle | 15. Monitoring unit |
| 4. Fourth pole | 10. Direct mount handle | |
| 5. Terminal shroud | 11. Detachable neutral link | |
| 6. Module for auxiliary contact | 12. Electrical interlock | |

Please note that listed accessories are not automatically included in your order.
Ordering information for accessories from pages 69-72, 74-75, 77-78, 81 and 84-96.

Motor operated switch fuses OSM32G...OSM1250

Selection overview



Accessory guide for OSM32G...OSM1250

- | | |
|--------------------------|---------------------------------|
| 1. Motorized switch fuse | 5. Fuse monitor |
| 2. Terminal clamp | 6. Detachable neutral link |
| 3. Terminal shroud | 7. Storage for handle and fuses |
| 4. Auxiliary contact | 8. Monitoring unit |

Please note that listed accessories are not automatically included in your order.
Ordering information for accessories from pages 82-84, 86-88 and 92-93



1
75t

3
75t

120t

m.130

42-300-A007
42-300-A011-02
L.0.0.00

WARNING
- Do not touch any of the rollers in motion!
- Rollers with broken film should be replaced immediately.
- Rollers with broken film should be replaced immediately.

Accessories

Ordering information

| | |
|------------------------------------|-----|
| ITS2 monitoring unit | 85 |
| Electronic fuse monitor | 89 |
| Blown fuse indicators | 90 |
| Handles | 91 |
| Shafts | 95 |
| Auxiliary contacts | 98 |
| Fourth poles | 103 |
| Neutral links | 104 |
| Handle and spare fuse storage clip | 105 |
| Terminal shrouds | 106 |
| Terminal clamp sets | 108 |
| Terminal lugs | 111 |
| Conversion kits | 112 |
| Cam attachment and interlocks | 114 |
| Coils and mounting accessories | 115 |
| Spare part kits | 116 |

ITS2 monitoring unit

Greater intelligence comes from within



Real-time measuring and monitoring have never been easier, thanks to the ITS2. Its built-in intelligence means that whether it's supporting a data center, hospital or commercial building, operatives can access its monitoring data and

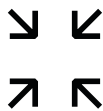
provide an instant response in the event of any system faults.

The result of this fully digital solution? Smarter, data-driven decisions made in real time.



Integrated and future-ready

- Cloud-based connectivity with ABB Ability™ Energy and Asset Manager
- Easy configuration with Ekip Connect
- Configure ITS2 monitoring in just 1 min



Convenience and ease

- One unit to digitalize switches and fusegear also compatible with OT Switch-disconnectors and OS Switch fuses
- Space-saving factory-mounted design
- No need for additional power supply



Safe and reliable

- Ensures continuous operations
- Fuse monitoring functionality (EFM)
- System safety and protection protocols



— Watch the video how to configure ITS2 monitoring unit in 1 minute with Ekip Connect



— Watch the video how to add extra protection to your system with Ekip Connect in less than 1 minute



— More info about ITS2 Monitoring units from here



Ease of installation

A busy facility needs any new monitoring equipment to get up and running quickly to avoid operational interruptions.

Installing the ITS2 monitoring is a pain-free, intuitive process, with Ekip Connect used to configure your entire system.

The ITS2 communicates with the main gateway using Modbus RTU as standard option or Modbus TCP, using the add on communication module. The gateway enables direct communication to the ABB Ability™ Energy and Asset Manager using the Ekip Com Hub cartridge module.

The gateway uploads your system data to the cloud-connected ABB Ability™ platform, enabling full control in less than 10 minutes.

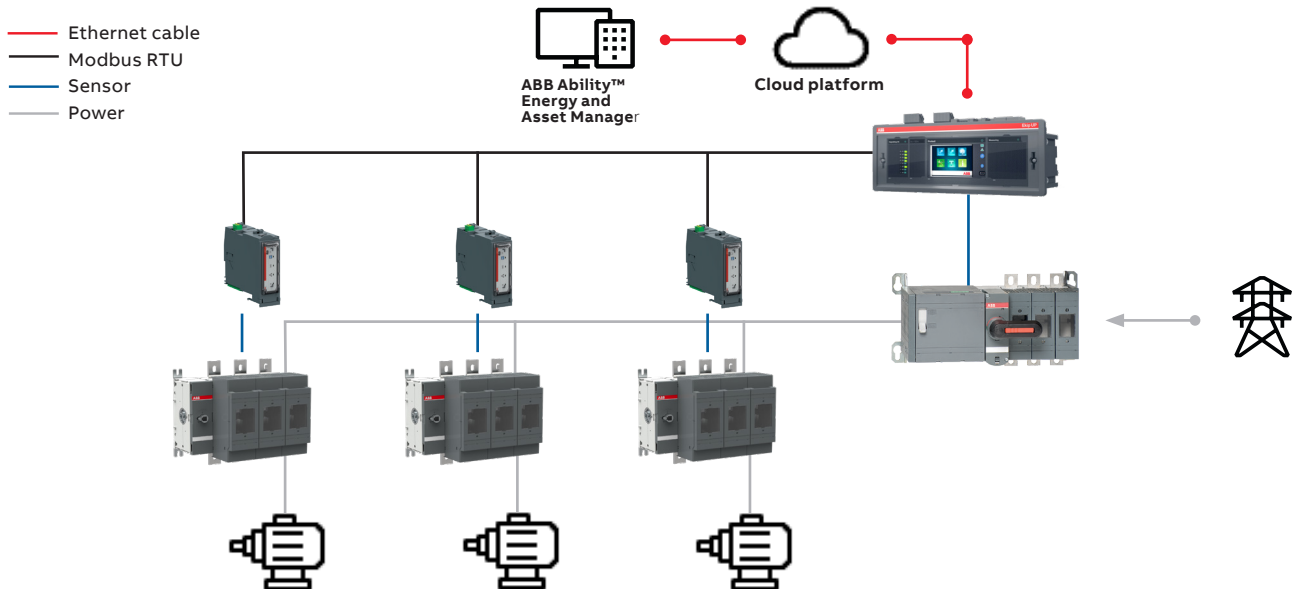
Seamless integration

A complete digital solution needs to be compatible with your existing infrastructure and processes. The ITS2 monitoring unit integrates flawlessly both with ABB’s switches and fusegear products

- Uses ABB Ability™ Energy and Asset Manager to collect information from enabled ABB devices installed in low-voltage distribution systems
- Monitor the electrical system from anywhere, anytime
- ABB Ability™ Energy and Asset Manager compatible gateways: Emax 2 and Tmax circuit breakers, EkipUP and TruONE Automatic Transfer Switches (equipped with Ekip Com Hub) or with Ekip E-Hub via Modbus RS-485.

Connection to ABB Ability™ Energy and Asset Manager for all switches and fusegear with ITS2

Standalone ITS2 Modbus RTU



—
Learn more about
ABB Ability™ Energy
and Asset Manager



—
Learn more
about Ekip
Connect 3



Accessories for switch fuses 160...1250 A

Ordering information for ITS2 monitoring unit



ITS2.1 Monitoring unit



OFMZX2



OA1G10

Ekip Com Modbus
TCP-OX

ITS2 monitoring unit

| Suitable for switches | Type | Order number | Units/ type [pcs] | Weight/unit [kg] |
|-----------------------|--------------------------|-----------------|-------------------|------------------|
| OS/OSM 160...1250 | ITS2.1 Standalone Module | 1SEP622724R0001 | 1 | 0.5 |

Accessories that need to be ordered separately

| Description | Suitable for switches | Type | Order number | Units/ type [pcs] | Weight/ unit [kg] |
|--|-------------------------------|--------|-----------------|----------------------|----------------------|
| Voltage sensing faston terminals package | OS160...630 | OFMZX2 | 1SCA022475R9910 | 6 | 0.01 |
| Auxiliary contacts NO | OT160EV...2500E, OS160...1250 | OA1G10 | 1SCA022353R4970 | 1 | 0.03 |

Current transformer requirements

Please note! It is necessary to use current transformers (CT) with the ITS2. Transformers are not included with the unit and must be purchased separately.

| Switch size | Primary current | Secondary current | Class | Burden | Quantity |
|-------------|-----------------|-------------------|-------------------------|--------|----------|
| 160 A | 160 A | 1A | 0.5s / 0.2 / 0.2s / 0.1 | ≥2.5VA | 3 |
| 250 A | 250 A | 1A | 0.5s / 0.2 / 0.2s / 0.1 | ≥2.5VA | 3 |
| 400 A | 400 A | 1A | 0.5s / 0.2 / 0.2s / 0.1 | ≥2.5VA | 3 |
| 630 A | 600 A | 1A | 0.5s / 0.2 / 0.2s / 0.1 | ≥2.5VA | 3 |
| 800 A | 800 A | 1A | 0.5s / 0.2 / 0.2s / 0.1 | ≥2.5VA | 3 |
| 1 000 A | 1 000 A | 1A | 0.5s / 0.2 / 0.2s / 0.1 | ≥2.5VA | 3 |
| 1 250 A | 1 250 A | 1A | 0.5s / 0.2 / 0.2s / 0.1 | ≥2.5VA | 3 |
| 1 600 A | 1 600 A | 1A | 0.5s / 0.2 / 0.2s / 0.1 | ≥2.5VA | 3 |
| 2 500 A | 2 500 A | 1A | 0.5s / 0.2 / 0.2s / 0.1 | ≥2.5VA | 3 |

Suitable communication modules (Modbus RTU comes as standard)

| Type | Order code |
|------------------------|--------------|
| Ekip Com Modbus TCP-OX | 1SDA104052R1 |

Accessories for switch fuses 160...1250 A

Ordering information for ITS2 monitoring unit

ITS2.1: which data can be monitored

| Features | | |
|-------------------|--------|------------------|
| Line Voltage | (V AC) | V12, V23, V31 |
| Phase Voltage | (V AC) | V1N, V2N, V3N |
| Current | (A) | L1, L2, L3 |
| Active power | (kW) | L1, L2, L3 |
| Reactive power | (kVA) | L1, L2, L3 |
| Cos phi | (Cosφ) | L1, L2, L3 |
| Power factor | (PF) | Sum |
| Energy | (kWh) | Sum |
| Fuse status | (EFM) | L1, L2, L3 |
| Temperature | (°C) | Terminal L2 |
| Switch position | | On/Off |
| Motor Control | | by bus |
| Communication bus | | RS485 |
| Protocol | | Modbus RTU & TCP |

Configurable Modbus RTU parameters

| | |
|--------------------------|--------------------------------------|
| Default setting | 19200 E,8,1 – Default Modbus addr. 3 |
| Baudrates | 9600, 19200 |
| Parity, stop- start bits | E,8,1 – O,8,1 – N,8,2 – N,8,1 |
| Modbus address range | 1 – 247 |

Connection data at the ITS2.1 multiplug

| | |
|---|---------------|
| 1 | 24 VDC |
| 2 | 24 V GND (0V) |
| 3 | RS-485 0V |
| 4 | RS-485 + (A) |
| 5 | RS-485 - (B) |

Conductor cross section

| | |
|--|----------------------|
| Stranded min. | 0,25 mm ² |
| Stranded max. | 1,5 mm ² |
| Stranded, with ferrule without plastic sleeve max. | 1,5 mm ² |
| Stranded, with ferrule with plastic sleeve max. | 0,75 mm ² |

Accessories for manual and motorized switch fuses 32...1250 A

Ordering information for electronic fuse monitor



OFM260



OFS260



OFD500EA



OFMZx2



OSZ4

Electronic fuse monitor

Includes the auxiliary contacts 1NO + 1NC. More information, see brochure OFM_OFS20GB.

| Rated voltage [V] | Approvals | Mounting type | Type | Order number | Weight/unit [kg] |
|-------------------|-----------------|---------------|----------|-----------------|------------------|
| 120...240/AC | IEC, UL and CSA | A | OFM240 | 1SCA022579R1340 | 0.2 |
| 120...260/AC | IEC | A | OFM260 | 1SCA022459R8560 | 0.14 |
| 380...600/AC | IEC, UL and CSA | A | OFM600 | 1SCA022579R1260 | 0.2 |
| 380...690/AC | IEC | A | OFM690 | 1SCA022459R8480 | 0.14 |
| 100...260/AC | IEC | B | OFS260 | 1SCA022716R0180 | 0.16 |
| 380...690/AC | IEC | B | OFS690 | 1SCA022715R9920 | 0.16 |
| 45...140/DC | IEC | B | OFD110EA | 1SCA121775R1001 | 0.155 |
| 135...550/DC | IEC | B | OFD500EA | 1SCA121776R1001 | 0.155 |

^A Mounting onto the left side of OS20F-40F (OS Mini) with a frame OSZ4 or on mounting plate.

^B Mounting onto the left side of OS32G-1250 switch fuse (right side of OSM motorized switch fuses) or on DIN-rail or on mounting plate.

Mounting accessories for fuse monitor

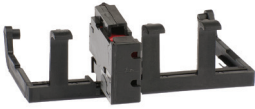
| Suitable for switches | Wire size range | Type | Order number | Units/type [pcs] | Weight/unit [kg] |
|------------------------|---------------------------|--------|-----------------|------------------|------------------|
| Crimp terminals | | | | | |
| OS_ | 1.5 - 2.8 mm 16-14 AWG | OFMZx2 | 1SCA022475R9910 | 6 | 0.01 |

Mounting frame for OS Mini

| | | | | |
|-----------|------|-----------------|---|------|
| OS20F-40F | OSZ4 | 1SCA022530R0200 | 1 | 0.60 |
|-----------|------|-----------------|---|------|

Accessories for manual and motorized switch fuses 32...1250 A

Ordering information for blown fuse indicators

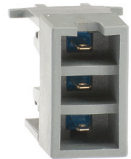


OSD25P3

Blown fuse indicators (DPMM)

Striker type fuse is needed. See the dimensions in IEC60269-2-1, Section 1A.

| Suitable for switches | Type | Order number | Weight/unit [kg] |
|-----------------------|------|--------------|------------------|
|-----------------------|------|--------------|------------------|



OSGD50P4

OS Mini OS25 ... 32FF

Suitable for OS Mini 25...32FF_ with cylindrical NFC striker fuses. Auxiliary contact (1x C/O) included. See the ratings on page 78, type OA4

| | | | |
|------------------------------------|---------|-----------------|------|
| for 3-pole switches | OSD25P3 | 1SCA022192R9060 | 0.10 |
| for 4-pole switches, fused neutral | OSD25P4 | 1SCA022196R9520 | 0.10 |



OSGD125P3

OS/OSM50GF_

Auxiliary contacts (3 x C/O in 3-pole, 4 x C/O in 4-pole) included. Ratings: lth: 5A, AC15: 0.15A/250VAC. NEMA 5A, 125-250 VAC, 1/10 HP

| | | | |
|------------------------------------|----------|-----------------|-------|
| for 3-pole switches | OSGD50P3 | 1SCA116401R1001 | 0.015 |
| for 4-pole switches, fused neutral | OSGD50P4 | 1SCA115689R1001 | 0.020 |



OSZX3

OS/OSM125GF_

Auxiliary contacts (3 x C/O in 3-pole, 4 x C/O in 4-pole) included. Ratings: lth: 5A, AC15: 0.15A/250VAC. NEMA 5A, 125-250 VAC, 1/10 HP

| | | | |
|------------------------------------|-----------|-----------------|-------|
| for 3-pole switches | OSGD125P3 | 1SCA115690R1001 | 0.025 |
| for 4-pole switches, fused neutral | OSGD125P4 | 1SCA115692R1001 | 0.035 |

OS/OSM250D...800D

Auxiliary contacts (3xNO + 3xNC in 3-pole and 4xNO + 4xNC in 4-pole) included. See the ratings on page 78, type OA1G_, OA3G_

| | | | |
|------------------------------------|-------|-----------------|------|
| for 3-pole switches | OSZX3 | 1SCA101224R1001 | 0.15 |
| for 4-pole switches, fused neutral | OSZX4 | 1SCA101225R1001 | 0.20 |

Fuse status and corresponding auxiliary contact position

| Auxiliary contact type | Fuse OK | Fuse blown |
|------------------------|---------|------------|
| OA1G_ | | |
| OA3G_ | | |

Accessories for manual operated switch fuses 32...1250 A

Ordering information for handles



OHB65J6



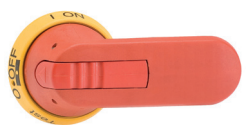
OHY65J6



OHG65J6



OHB95J12



OHY95J12T



OHB125J12

Pistol handles for front operated switch fuses

Plastic pistol handles, IP 65, Nema type 1, 3R, 12

Padlockable with 3 padlocks in the OFF-position, door interlock in the ON-position. Screw fixing from the back side of the handle ensures double insulation.

For shaft diameter 6 mm (for OSMini and OS32...250)

| Colour | Handle length [mm] | Type | Order number | Weight/unit [kg] |
|---|--------------------|---------|-----------------|------------------|
| Black and red-yellow: I-O/ON-OFF, grey: I-O. | | | | |
| Black | 45 | OHB45J6 | 1SCA022380R8770 | 0.12 |
| Red-yellow | 45 | OHY45J6 | 1SCA022380R8930 | 0.12 |
| Grey | 45 | OHG45J6 | 1SCA022380R8850 | 0.12 |
| Black | 65 | OHB65J6 | 1SCA022380R9660 | 0.12 |
| Red-yellow | 65 | OHY65J6 | 1SCA022380R9820 | 0.12 |
| Grey | 65 | OHG65J6 | 1SCA022380R9740 | 0.12 |
| Black | 80 | OHB80J6 | 1SCA022381R0240 | 0.14 |

Black and red-yellow: Test/I-O/ON-OFF, grey: Test/I-O.

| | | | | |
|------------|----|----------|-----------------|------|
| Black | 45 | OHB45J6T | 1SCA109870R1001 | 0.12 |
| Black | 65 | OHB65J6T | 1SCA022399R8110 | 0.12 |
| Red-yellow | 65 | OHY65J6T | 1SCA022456R9540 | 0.12 |
| Grey | 65 | OHG65J6T | 1SCA022456R9620 | 0.12 |
| Black | 80 | OHB80J6T | 1SCA022399R8290 | 0.14 |

For shaft diameter 12 mm (for OS315...400)

| Colour | Handle length [mm] | Type | Order number | Weight/unit [kg] |
|---|--------------------|----------|-----------------|------------------|
| Black and red-yellow: I-O/ON-OFF, grey: I-O. | | | | |
| Black | 95 | OHB95J12 | 1SCA022381R0830 | 0.16 |
| Red-yellow | 95 | OHY95J12 | 1SCA022381R1050 | 0.16 |
| Grey | 95 | OHG95J12 | 1SCA022381R0910 | 0.16 |

Indication: Test-OFF-ON/Test-O-I

| | | | | |
|------------|----|-----------|-----------------|------|
| Black | 95 | OHB95J12T | 1SCA022736R1750 | 0.16 |
| Red-yellow | 95 | OHY95J12T | 1SCA022736R1910 | 0.16 |

For shaft diameter 12 mm (for OS630...800)

| Colour | Handle length [mm] | Type | Order number | Weight/unit [kg] |
|---|--------------------|-----------|-----------------|------------------|
| Black and red-yellow: I-O/ON-OFF, grey: I-O. | | | | |
| Black | 125 | OHB125J12 | 1SCA022381R1560 | 0.16 |
| Red-yellow | 125 | OHY125J12 | 1SCA022381R1720 | 0.16 |
| Grey | 125 | OHG125J12 | 1SCA022381R1640 | 0.16 |
| Black | 145 | OHB145J12 | 1SCA022381R2110 | 0.17 |
| Red-yellow | 145 | OHY145J12 | 1SCA022381R2370 | 0.17 |
| Grey | 145 | OHG145J12 | 1SCA022381R2290 | 0.17 |
| Black | 175 | OHB175J12 | 1SCA022381R2450 | 0.18 |
| Red-yellow | 175 | OHY175J12 | 1SCA022381R2700 | 0.18 |
| Grey | 175 | OHG175J12 | 1SCA022381R2610 | 0.18 |

Indication: Test-OFF-ON/Test-O-I

| | | | | |
|------------|-----|------------|-----------------|------|
| Black | 125 | OHB125J12T | 1SCA022652R2220 | 0.16 |
| Red-yellow | 125 | OHY125J12T | 1SCA022652R2310 | 0.16 |
| Black | 145 | OHB145J12T | 1SCA022652R2570 | 0.17 |
| Red-yellow | 145 | OHY145J12T | 1SCA022652R2650 | 0.17 |
| Black | 175 | OHB175J12T | 1SCA022708R0740 | 0.18 |

- Door interlocking in the ON-position means that the door cannot be opened, when the handle is in the ON-position. This can be defeated to allow authorized personnel access for inspection.
- Handles padlockable in all positions and NEMA4/4X handles are available on request.

Accessories for manual operated switch fuses 32...1250 A

Ordering information for handles



OHB274/330J12



OHY274J12



OHM_

Pistol handles for front operated switch fuses

Plastic pistol handles, IP 65, Nema type 1, 3R, 12

Padlockable with 3 padlocks in the OFF-position, door interlock in the ON-position. Screw fixing from the back side of the handle ensures double insulation.

For shaft diameter 12 mm (for OS1200...1250)

| Colour | Handle length [mm] | Type | Order number | Weight/unit [kg] |
|--|--------------------|------------|-----------------|------------------|
| Black and red-yellow: I-O/ON-OFF. | | | | |
| Black | 274 | OHB274J12 | 1SCA115920R1001 | 0.54 |
| Red-yellow | 274 | OHY274J12 | 1SCA115919R1001 | 0.54 |
| Black | 330 | OHB330J12 | 1SCA115922R1001 | 0.58 |
| Red-yellow | 330 | OHY330J12 | 1SCA115921R1001 | 0.58 |
| Black | 2x150 | OHB150J12P | 1SCA022865R9430 | 0.17 |
| Red-yellow | 2x150 | OHY150J12P | 1SCA101586R1001 | 0.17 |
| Black | 2x200 | OHB200J12P | 1SCA022865R9510 | 0.40 |
| Red-yellow | 2x200 | OHY200J12P | 1SCA101587R1001 | 0.40 |

Indication: Test-OFF-ON/Test-O-I

| Colour | Handle length [mm] | Type | Order number | Weight/unit [kg] |
|--------|--------------------|-------------|-----------------|------------------|
| Black | 274 | OHB274J12T | 1SCA120250R1001 | 0.54 |
| Black | 330 | OHB330J12T | 1SCA120252R1001 | 0.58 |
| Black | 2x200 | OHB200J12PT | 1SCA106510R1001 | 0.40 |

- Door interlocking in the ON-position means that the door cannot be opened, when the handle is in the ON-position. This can be defeated to allow authorized personnel access for inspection.
- Handles padlockable in all positions and NEMA4/4X handles are available on request.

Stainless steel pistol handles, IP66, NEMA 4X

Padlockable with 3 padlocks in the OFF-position, door interlock in the ON-position, indication: I-O/ON-OFF

For shaft diameter 6 mm (for OSMini and OS32...250)

| Colour | Handle length [mm] | Type | Order number | Weight/unit [kg] |
|----------|--------------------|---------|-----------------|------------------|
| Metallic | 45 | OHM45L6 | 1SCA111295R1001 | 0.70 |
| Metallic | 65 | OHM65L6 | 1SCA022739R1070 | 0.73 |

For shaft diameter 12 mm

| Colour | Handle length [mm] | Type | Order number | Weight/unit [kg] |
|----------|--------------------|-----------|-----------------|------------------|
| Metallic | 125 | OHM125L12 | 1SCA022739R1150 | 0.76 |
| Metallic | 175 | OHM175L12 | 1SCA022739R1230 | 0.83 |
| Metallic | 275 | OHM275L12 | 1SCA022832R4840 | 0.96 |

Accessories for manual operated switch fuses 32...1250 A

Ordering information for handles



OHB65J6E00S



OHY65J6E00S



OHZX14

Pistol handles for side operated switch fuses

Plastic pistol handles, IP 65, Nema type 1, 3R, 12

For mounting on the side of the enclosure. Padlockable with three padlocks in the OFF-position, door interlock in the ON-position, IP 65. The position indications are rotated 90°. If the handle is mounted on the front of the door, a standard handle can be used as well.

For shaft diameter 6 mm

| Colour | Handle length [mm] | Type | Order number | Weight/unit [kg] |
|--|--------------------|--------------|-----------------|------------------|
| Plastic handles, black and red-yellow: I-O/ON-OFF, grey: I-O. | | | | |
| Black | 65 | OHB65J6E00S | 1SCA022382R9850 | 0.12 |
| Red-yellow | 65 | OHY65J6E00S | 1SCA022382R9930 | 0.12 |
| Grey | 65 | OHG65J6E00S | 1SCA022383R4510 | 0.12 |
| Plastic handles, black and red-yellow: Test/I-O/ON-OFF, grey: Test/I-O. | | | | |
| Black | 65 | OHB65J6TE00S | 1SCA109016R1001 | 0.12 |
| Red-yellow | 65 | OHY65J6TE00S | 1SCA022688R0140 | 0.12 |
| Grey | 65 | OHG65J6TE00S | 1SCA109014R1001 | 0.12 |

For shaft diameter 12 mm

Plastic handles, indication I-O/ON-OFF

| | | | | |
|-------|-----|---------------|-----------------|------|
| Black | 145 | OHB145J12E00S | 1SCA022679R9700 | 0.17 |
|-------|-----|---------------|-----------------|------|

- Door interlocking in the ON-position means that the door cannot be opened, when the handle is in the ON-position.

- This can be defeated to allow authorized personnel access for inspection.

- Handles padlockable in all positions are available on request.

Extension ring for pistol handles

| Suitable for handles | Colour | Type | Order number | Weight/unit [kg] |
|----------------------|--------|--------|-----------------|------------------|
| OHB_ | Black | OHZX14 | 1SCA022851R6590 | 0.06 |

Accessories for manual operated switch fuses 32...1250 A

Ordering information for handles



OSV250DK



OSV400DK



OSV1250DK



OHB4



OFAE506

Direct mount handles for front operated switch fuses

Panel board handle, can be padlocked in the OFF-position. Includes a special shaft. The handle can also be used with a standard shaft as padlocking device.

Suitable for OS 32G...1250

| Suitable for switches | Colour | Type | Order number | Weight/unit [kg] |
|--|------------|------------|-----------------|------------------|
| Indication: Test OFF-ON/Test O-I indication Padlockable with three padlocks in the OFF-position, optionally also in the ON-position. Includes shaft and mechanism cover. | | | | |
| OS32G...160G (not OS_GJ types) | Black | OSV200BK | 1SCA022779R7530 | 0.14 |
| OS200B/J | Red-yellow | OSVY200BK | 1SCA022779R7700 | 0.14 |
| OS60GJ, OS100GJ | Black | OSV250DK | 1SCA022763R3510 | 0.16 |
| OS200D...250D/B | Black | OSV250DK | 1SCA022763R3510 | 0.16 |
| OS200D...250D/B | Red-yellow | OSVY250DK | 1SCA022778R6500 | 0.16 |
| OS400D | Black | OSV400DK | 1SCA022763R4230 | 0.34 |
| OS400D | Red-yellow | OSVY400DK | 1SCA022779R5590 | 0.34 |
| OS315...400B/J | Black | OSV400BK | 1SCA022763R3930 | 0.33 |
| OS315...400B/J | Red-yellow | OSVY400BK | 1SCA022779R5830 | 0.33 |
| OS600...800 | Black | OSV800DK | 1SCA107794R1001 | 1.1 |
| OS600...800 | Red-yellow | OSVY800DK | 1SCA108703R1001 | 1.1 |
| OS1200...OS1250 | Black | OSV1250DK | 1SCA107797R1001 | 1.5 |
| OS1200...OS1250 | Red-yellow | OSVY1250DK | 1SCA108702R1001 | 1.5 |

Direct mount handles for side operated switch fuses

Panel board handle, can be padlocked in the OFF-position. Includes a special shaft. The handle can also be used with a standard shaft as padlocking device.

Suitable for OS Mini

Padlockable with three padlocks in the OFF- position when the door is open. Max. bail dia 6 mm.

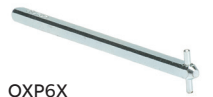
| Suitable for switches | Colour | Type | Order number | Weight/unit [kg] |
|-----------------------|--------|------|-----------------|------------------|
| OS20F...40F_ | Black | OHB4 | 1SCA022439R4050 | 0.05 |

Fuse replacement handles

| For DIN-fuse sizes | Type | Order number | Weights/unit [kg] |
|------------------------|---------|-----------------|-------------------|
| 000, 00, 0, 1, 2, 3, 4 | OFAE506 | 1SCA128175R1001 | 0.2 |

Accessories for switch fuses OS Mini 20...40 A

Ordering information for shafts

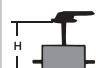
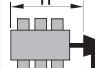


OXP6X_



OXP_X_-45

Extended shafts

| Shaft length [mm] |  | |  | | Type | Order number | Weight/unit [kg] |
|--|---|--|---|--|---------------------------|-----------------|------------------|
| | Front operated H [mm] | | Side operated H [mm] | | | | |
| For OS 16...35 (Mini)²⁾, shaft diameter 6 mm | | | | | | | |
| 150 | 135...210 | | 154...166 | | OSP6X150 ³⁾ | 1SCA022295R5600 | 0.05 |
| 170 | 155...230 | | 174...186 | | OSP6X170 | 1SCA108224R1001 | 0.05 |
| 265 | 250...325 | | 269...281 | | OSP6X265 | 1SCA108225R1001 | 0.08 |
| 400 | 385...460 | | 404...416 | | OSP6X400 | 1SCA108226R1001 | 0.12 |
| 150 | 135...210 | | 154...166 | | OSP6X150-45 ¹⁾ | 1SCA022294R4400 | 0.05 |
| 170 | 155...230 | | 174...186 | | OSP6X170-45 ¹⁾ | 1SCA108227R1001 | 0.05 |
| 265 | 380...460 | | 269...281 | | OSP6X265-45 ¹⁾ | 1SCA108228R1001 | 0.08 |
| 400 | 380...460 | | 404...416 | | OSP6X400-45 ¹⁾ | 1SCA108229R1001 | 0.12 |
| For OS 40 (Mini)²⁾, shaft diameter 6 mm | | | | | | | |
| 150 | 135...210 | | 235...243 | | OSP6X150 ³⁾ | 1SCA022295R5600 | 0.05 |
| 170 | 155...230 | | 255...363 | | OSP6X170 | 1SCA108224R1001 | 0.05 |
| 265 | 250...325 | | 352...360 | | OSP6X265 | 1SCA108225R1001 | 0.08 |
| 400 | 385...460 | | 487...495 | | OSP6X400 | 1SCA108226R1001 | 0.12 |
| 150 | 135...210 | | 235...243 | | OSP6X150-45 ¹⁾ | 1SCA022294R4400 | 0.05 |
| 170 | 155...230 | | 255...363 | | OSP6X170-45 ¹⁾ | 1SCA108227R1001 | 0.05 |
| 265 | 250...325 | | 352...360 | | OSP6X265-45 ¹⁾ | 1SCA108228R1001 | 0.08 |
| 400 | 385...460 | | 487...495 | | OSP6X400-45 ¹⁾ | 1SCA108229R1001 | 0.12 |
| For OS 32G...63G⁴⁾, shaft diameter 6 mm | | | | | | | |
| 63 | | | 161...167 | | OSP6X63 | 1SCA111010R1001 | 0.02 |
| 90 | | | 188...194 | | OSP6X90 | 1SCA022064R1180 | 0.03 |
| 130 | 127...174 ⁵⁾ | | 228...234 | | OSP6X130 | 1SCA022057R0570 | 0.04 |
| 161 | 138...205 | | | | OSP6X161 ³⁾ | 1SCA022067R1760 | 0.05 |
| 210 | 187...254 | | | | OSP6X210 | 1SCA022295R6080 | 0.06 |
| 290 | 267...334 | | | | OSP6X290 | 1SCA022042R6370 | 0.08 |
| 360 | 337...404 | | | | OSP6X360 | 1SCA022042R6530 | 0.10 |
| 430 | 407...474 | | | | OSP6X430 | 1SCA022056R6030 | 0.12 |
| 210 | 187...254 | | | | OSP6X210-45 ¹⁾ | 1SCA022294R4230 | 0.06 |
| 290 | 267...334 | | | | OSP6X290-45 ¹⁾ | 1SCA022304R4290 | 0.08 |
| 360 | 337...404 | | | | OSP6X360-45 ¹⁾ | 1SCA022341R4640 | 0.10 |

¹⁾ The shaft position is rotated 45 degrees.

²⁾ Side operated, 4-pole: add 36 mm.

³⁾ Included as standard in P-types.

⁴⁾ Side operated 3-pole OS60GJ: add 33mm, 4-pole types: OS32...63GD/GB: add 23.5 mm, OS60GJ: add 68mm.

⁵⁾ Included as standard in front operated types.

⁶⁾ OS32...63GB/GF: 115...174.

Accessories for manual operated switch fuses 32...1250 A

Ordering information for shafts



OXP6X_



OXP_X_-45



OHP12X_

Extended shafts

| Shaft length [mm] | Front operated H [mm] | Side operated H [mm] | Type | Order number | Weight/unit [kg] |
|--|-------------------------|----------------------|---------------------------|-----------------|------------------|
| For OS100G...160G²⁾, shaft diameter 6 mm | | | | | |
| 63 | | 161...167 | OXP6X63 | 1SCA111010R1001 | 0.02 |
| 90 | | 188...194 | OXP6X90 | 1SCA022064R1180 | 0.03 |
| 130 | 127...174 ⁴⁾ | 228...234 | OXP6X130 | 1SCA022057R0570 | 0.04 |
| 161 | 138...205 | | OXP6X161 ³⁾ | 1SCA022067R1760 | 0.05 |
| 210 | 187...254 | | OXP6X210 | 1SCA022295R6080 | 0.06 |
| 290 | 267...334 | | OXP6X290 | 1SCA022042R6370 | 0.08 |
| 360 | 337...404 | | OXP6X360 | 1SCA022042R6530 | 0.10 |
| 430 | 407...474 | | OXP6X430 | 1SCA022056R6030 | 0.12 |
| 210 | 187...254 | | OXP6X210-45 ¹⁾ | 1SCA022294R4230 | 0.06 |
| 290 | 267...334 | | OXP6X290-45 ¹⁾ | 1SCA022304R4290 | 0.08 |
| 360 | 337...404 | | OXP6X360-45 ¹⁾ | 1SCA022341R4640 | 0.10 |
| For OS 200...250 DIN-type, shaft diameter 6 mm | | | | | |
| 161 | 160...205 | 321...327 | OXP6X161 | 1SCA022067R1760 | 0.05 |
| 210 | 189...254 | 370...376 | OXP6X210 ³⁾ | 1SCA022295R6080 | 0.06 |
| 290 | 269...334 | | OXP6X290 | 1SCA022042R6370 | 0.08 |
| For OS 200...250 BS-type, shaft diameter 6 mm | | | | | |
| 161 | 140...205 | 321...327 | OXP6X161 | 1SCA022067R1760 | 0.05 |
| 210 | 189...254 | 370...376 | OXP6X210 ³⁾ | 1SCA022295R6080 | 0.06 |
| 290 | 269...334 | | OXP6X290 | 1SCA022042R6370 | 0.08 |
| For OS 315...400, shaft diameter 12 mm | | | | | |
| 250 | 230...325 | 489...495 | OXP12X250 ³⁾ | 1SCA022325R6980 | 0.30 |
| 280 | 260...355 | 519...525 | OXP12X280 | 1SCA022137R5140 | 0.30 |
| 325 | 305...400 | | OXP12X325 | 1SCA022042R5810 | 0.36 |
| 395 | 375...470 | | OXP12X395 | 1SCA022042R5990 | 0.43 |
| 465 | 445...540 | | OXP12X465 | 1SCA022042R6020 | 0.51 |
| 535 | 515...610 | | OXP12X535 | 1SCA022042R6110 | 0.59 |

¹⁾ The shaft position is rotated 45 degrees.

²⁾ Side operated, 4-pole: add 35 mm.

³⁾ Included as standard in P-types.

⁴⁾ OS100GJ: 113...174, OS100GB...160GB: 121...174.

Accessories for manual operated switch fuses 32...1250 A

Ordering information for shafts



OXP12X_



OXP12X250-45



OETLZX95

Extended shafts

| Shaft length [mm] | Front operated | Side operated | Type | Order number | Weight/unit [kg] |
|---|-------------------------|-------------------------|----------------------------|-----------------|------------------|
| | H [mm] | H [mm] | | | |
| For OS 630...800, shaft diameter 12 mm | | | | | |
| 280 | 258...382 | 645...651 | OXP12X280 ²⁾ | 1SCA022137R5140 | 0.30 |
| 325 | 303...427 | | OXP12X325 | 1SCA022042R5810 | 0.40 |
| 395 | 373...497 | | OXP12X395 | 1SCA022042R5990 | 0.50 |
| 465 | 443...567 | | OXP12X465 | 1SCA022042R6020 | 0.60 |
| 535 | 513...637 | | OXP12X535 | 1SCA022042R6110 | 0.70 |
| 280 | 258...382 | | OXP12X280-45 ¹⁾ | 1SCA022382R0800 | 0.30 |
| 325 | 303...427 | | OXP12X325-45 ¹⁾ | 1SCA022304R4450 | 0.40 |
| For OS 1200...1250, shaft diameter 12 mm | | | | | |
| 395 | 366...495 ³⁾ | 371...500 ⁴⁾ | OXP12X395 ²⁾ | 1SCA022042R5990 | 0.43 |
| 465 | 436...565 ³⁾ | 441...570 ⁴⁾ | OXP12X465 | 1SCA022042R6020 | 0.51 |
| 535 | 506...635 ³⁾ | 441...571 ⁴⁾ | OXP12X535 | 1SCA022042R6110 | 0.59 |

¹⁾ The shaft position is rotated 45 degrees.

²⁾ Included as standard in front operated P-types.

³⁾ H with handle OH_274/330J12.

⁴⁾ H with handle OHB150/200J12P.

Shaft extension socket

For extending the shaft of combination attachment.

| Suitable for shaft with diameter [mm] | Type | Order number | Weight/unit [kg] |
|---------------------------------------|----------|-----------------|------------------|
| 12 | OETLZX95 | 1SCA022083R5620 | 0.04 |

Accessories for switch fuses OS Mini 20...40 A

Ordering information for auxiliary contacts



OA4B10



MCB-10



OA3G01



OSZ4



OESAZX169

Auxiliary contacts for OS20F...40F_ (OS Mini)

Units/type = 1 piece

Mounting to the switch mechanism

| Description | Type | Order number | Weight/unit [kg] |
|--|--------|-----------------|------------------|
| Change over contacts Auxiliary/test contacts. Max. two change over contacts. | | | |
| See function chart below | OA4B1C | 1SCA022193R0150 | 0.03 |
| Single pole contacts > 3 mm contact gap. | | | |
| 1 NO | OA4B10 | 1SCA022276R9050 | 0.03 |
| 1 NC | OA4B01 | 1SCA022276R9210 | 0.03 |

Mounting on the side of the switch

| Description | Type | Order number | Weight/unit [kg] |
|---|--------|-----------------|------------------|
| Mounting on the side of the switch with aux.contact frame OESAZX169 | | | |
| 1NO | MCB-10 | 1SCA022150R5110 | 0.03 |
| 1NC | MCB-01 | 1SCA022150R5370 | 0.03 |

Snap-on mounting on the switch, by using a frame OSZ4, IP20

NO contacts are provided with a positive opening feature.

Types _AU have gold plated contacts for harsh environments and low operating voltages.

| Description | Type | Order number | Weight/unit [kg] |
|-------------|----------|-----------------|------------------|
| 1 NO | OA1G10 | 1SCA022353R4970 | 0.03 |
| 1 NC | OA3G01 | 1SCA022456R7410 | 0.03 |
| 1 NO | OA1G10AU | 1SCA022436R7910 | 0.03 |
| 1 NC | OA3G01AU | 1SCA022819R5260 | 0.03 |

Mounting frames for auxiliary contacts of OS20F...40F_ (OS Mini)

| Description | Amount of auxiliary contacts [pcs] | Type | Order number | Weight/unit [kg] |
|--|------------------------------------|-----------|-----------------|------------------|
| Frame for auxiliary contacts OA1G10 and OA3G01 and for fuse monitor OFM_ | | | | |
| Mounting on the left side of the switch | max. 6 | OSZ4 | 1SCA022530R0200 | 0.06 |
| Frame for MCB-_ auxiliary contacts. Not suitable for side operated switches | | | | |
| Mounting on the right side of the switch | max. 6 | OESAZX169 | 1SCA022196R9360 | 0.06 |

Function chart, change over contacts OA4B1C / OS Mini

| Handle position | Main contacts | Aux./Test contacts N.O. |
|-----------------|---------------|-------------------------|
| Test | open | closed |
| 0 | open | open |
| I | closed | closed |

Accessories for manual operated switch fuses 32...1250 A

Ordering information for auxiliary contacts



OA1G10, OA3G01

Auxiliary contact blocks for OS/OSM32G...1250

| Suitable for switches | Description | Protection degree | Type | Order number | Weight/unit [kg] |
|-----------------------|-------------|-------------------|------------------------|-----------------|------------------|
| OS/OSM32G...1250 | 1NO | IP20 | OA1G10 | 1SCA022353R4970 | 0.03 |
| OS/OSM32G...1250 | 1NC | IP20 | OA3G01 | 1SCA022456R7410 | 0.03 |
| OS/OSM32G...1250 | 1NO | IP20 | OA1G10AU ¹⁾ | 1SCA022436R7910 | 0.03 |
| OS/OSM32G...1250 | 1NC | IP20 | OA3G01AU ¹⁾ | 1SCA022819R5260 | 0.03 |

¹⁾Types _AU have gold plated contacts for harsh environments and low operating voltages.

Mounting under the mechanism cover

The “test” contacts operate in ON- and OFF-positions as well as when the handle is turned to TEST-position = 45 degrees over the OFF-position. The “test indication” contacts operate only when the handle is turned to TEST-position. See the function table below. The OA1G10 (N.O.) or OA3G01 (N.C.) auxiliary contact blocks can be used as standard auxiliary contacts, “test” or “test indication” contacts. The desired functions are achieved when an auxiliary contact block is installed in a specific place shown in the mounting instruction. In order to activate the “test” and “test indication” features, a handle with test function is required. See the optional handles, pages 71-74.

Function table of OS/OSM32G...1250 auxiliary contacts

| Handle position | Main contacts | Aux./Test contacts N.O. | Test indication contacts N.O. |
|-----------------|---------------|-------------------------|-------------------------------|
| Test | open | closed | closed |
| 0 | open | open | open |
| I | closed | closed | open |

Maximum number of contact blocks, “Aux./test” contacts and “test indication” contacts, see the table below.

Standard versions include all except for N3-types, which are equipped with integrated neutral through the mechanism.

Maximum number of auxiliary contacts under the mechanism cover

| | OS/OSM32G...250 | | OS/OSM315...800 | | OS/OSM1200...1250 | |
|----------------------------------|-----------------|----|-----------------|----|-------------------|-----------------|
| | Standard | N3 | Standard | N3 | Standard | N3 |
| Pole version | | | | | | |
| Maximum number of contact blocks | 4 | 0 | 8 | 4 | 12 | 8 |
| Aux./Test contacts | 4 | 0 | 4 | 2 | 8 ¹⁾ | 6 ²⁾ |
| Test indication contacts | 2 | 0 | 4 | 2 | 4 | 2 |

For contact timing, see page 81.

¹⁾ 6 aux./test contacts and 2 early operation aux./test contacts.

²⁾ 4 aux./test contacts and 2 early operation aux./test contacts.

Mounting on the left side of the OS switch fuse:

Maximum 8 auxiliary contact blocks (N.O. or N.C.) with the OEA28 module. Side operated types: OS_S30..._S40 types only.

Mounting on the right side of the OSM motorized switch fuse:

Maximum 4 auxiliary contact blocks (N.O. or N.C.), snap-on mounting

Mounting plate for auxiliary contacts

Mount on the switch mechanism, max. 3 auxiliary contacts.

| Suitable for switches | Type | Order number |
|---|--------|-----------------|
| R: Mounting on the right side of the switch L: mounting on the left side of the switch | | |
| OS100G...200G_ | OEA30R | 1SCA131817R1001 |
| OS100G...200G_ | OEA30L | 1SCA131816R1001 |

Accessories for manual operated switch fuses 32...1250 A

Technical information for auxiliary contacts



OEA28

Module for auxiliary contacts for OS32...1250

| Description | Type | Order number | Weight/unit [kg] |
|---|-------|-----------------|------------------|
| Screw mounting to the left side of the switch | OEA28 | 1SCA022714R8810 | 0,04 |

Performance data for auxiliary contacts according to IEC 60947-5-1

| OA1G_, OA3G_ | |
|------------------------|----------------------------------|
| U _i /[V] | 690 |
| U _{imp} /[kV] | 4 |
| Pollution degree | 3 |
| I _{th} /[A] | 16 |
| Cable size | 1...2 x 0,75...2.5m ² |
| Maximum fuse | 16 A/gG |
| NEMA | A600,R300 |
| Wire size | 18 - 14AWG, 1 (2) |

| OA1G_, OA3G_ | | | | | | |
|---------------------|---------------------|---------------------|---------------------|-------|---------------------|-------|
| AC15 | | DC12 | | | DC13 | |
| U _e /[V] | I _e /[A] | U _e /[V] | I _e /[A] | P/[W] | I _e /[A] | P/[W] |
| 230 | 6 | 24 | 10 | 240 | 2 | 48 |
| 400 | 4 | 72 | 4 | 288 | 0.8 | 58 |
| 690 | 2 | 125 | 2 | 250 | 0.55 | 69 |
| | | 250 | 0.55 | 138 | 0.27 | 68 |
| | | 440 | 0.1 | 44 | | |

| OA4_ | |
|----------------------|---------------------------|
| EN61058-1 | |
| U _i /[V] | 400 |
| I _{th} /[A] | 10 |
| I _g | 400V AC |
| | 10 (4) A, 10E3 |
| | 6 (2,5) A, 50E3 |
| NEMA | 10 A, 125-250V AC, 1/4 HP |
| M3 Screw connection | |

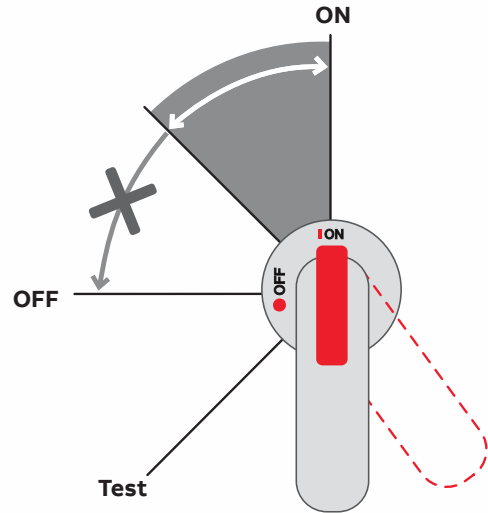
| MCB_ | | | | |
|----------------------|-------------------|------|------|------|
| IEC60947-5-1 | | | | |
| U _i /[V] | 690 | | | |
| I _{th} /[A] | 10 | | | |
| | | AC12 | AC15 | DC13 |
| I _e /[A] | 24V | 10 | 8 | 5 |
| | 110V | 10 | 8 | 11 |
| | 220/240V | 10 | 6 | 0,55 |
| | 250V | | 4 | 0,55 |
| | 380/415V | | 4 | |
| | 660/690V | | 2 | |
| NEMA | A600, 10A, 600VAC | | | |

Accessories for switch fuses OS Mini 20..40A

Technical information for auxiliary contacts

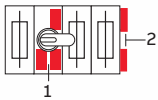
Handle indications and functions

- The handle indicates the position of the contacts with complete reliability in all situations. If the contacts are welded together, the handle doesn't reach the OFF-position but remains between ON and OFF, maintaining the door interlock and padlocking is not possible to do.
- When operating the switch fuse to the Test-position with a test handle the test auxiliary contacts change position. The main contacts remain open.

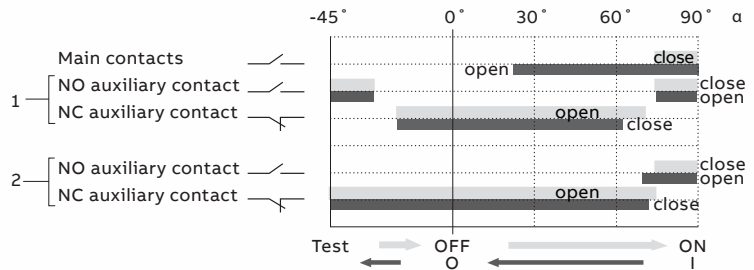


ON and OFF-functions of main and auxiliary contacts

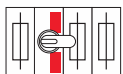
Example



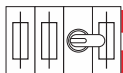
Places of auxiliary contacts and Test ind.



OS Mini

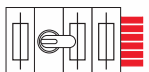
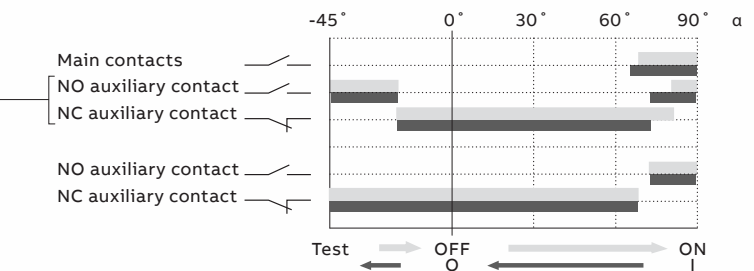


OA4B1C, 1 NO-NC

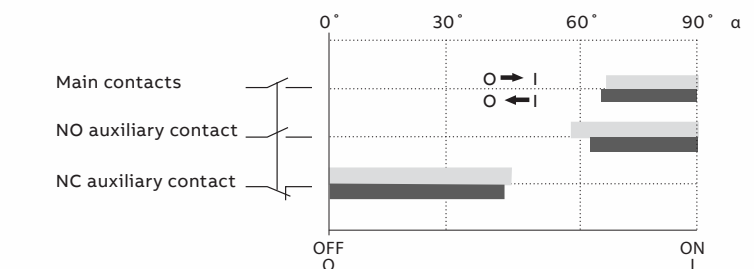


OA1G10, 1NO
OA3G01, 1NC

Change over contacts



MCB-10 + OESAZX169, 1NO
MCB-01 + OESAZX169, 1NC

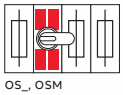


Accessories for manual operated switch fuses 32...1250 A

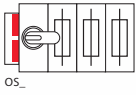
Technical information for auxiliary contacts

ON- and OFF-functions of main and auxiliary contacts

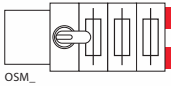
OS/OSM32G...1250



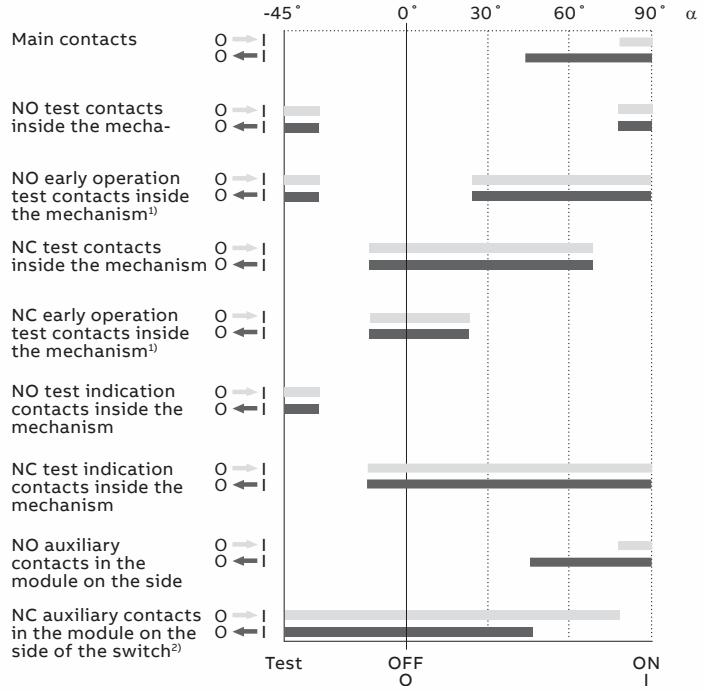
OA1G10, 1NO
OA3G01, 1NC



OA1G10, 1NO
OA3G01, 1NC
+ OEA28



OA1G10, 1NO
OA3G01, 1NC



¹⁾ OS/OSM1200...1250 only

²⁾ Also OSM32G...1250 mounted on the right side of the switch

Accessories for manual operated switch fuses 32...1250 A

Ordering information for fourth poles



OSP200-400D



OSP160GN



OSP250N



OSP800N

Fourth poles

Snap-on mounting to the side of the switch (not suitable for motorized OSM-types).

| Suitable for 3-pole switches | Mounting side | Type | Order number | Weight/unit [kg] |
|------------------------------|---------------|-----------|-----------------|------------------|
| Switched fusible | | | | |
| OS100GB...160GB | Left/right | OSP160GB | 1SCA114769R1001 | 0.45 |
| OS125GD...160GD | Left/right | OSP160GD | 1SCA114768R1001 | 0.45 |
| OS200B | Left/right | OSP200B | 1SCA022735R9180 | 1.20 |
| OS200D | Left/right | OSP200D | 1SCA022735R8960 | 1.20 |
| OS200J | Left/right | OSP200J | 1SCA022735R9000 | 1.20 |
| OS250B | Left/right | OSP250B | 1SCA022770R4030 | 1.20 |
| OS250D | Left/right | OSP250D | 1SCA022735R9340 | 1.20 |
| OS315B...400B | Left/right | OSP400B | 1SCA022770R3140 | 2.00 |
| OS400D | Left/right | OSP400D | 1SCA022770R3220 | 2.00 |
| OS400J | Left/right | OSP400J | 1SCA151737R1001 | 2.00 |
| OS600J | Left/right | OSP600J | 1SCA151731R1001 | 4.20 |
| OS630...800D | Left/right | OSP800D | 1SCA100433R1001 | 4.20 |
| OS630...800B | Left/right | OSP800B | 1SCA100434R1001 | 4.20 |
| OS800L | Left/right | OSP800L | 1SCA151732R1001 | 4.20 |
| OS1200L | Left/right | OSP1200L | 1SCA151730R1001 | 7.20 |
| OS1250D | Left/right | OSP1250D | 1SCA107946R1001 | 7.20 |
| OS1250DA | Left/right | OSP1250DA | 1SCA112402R1001 | 7.20 |
| OS1250B | Left/right | OSP1250B | 1SCA107950R1001 | 7.20 |
| Switched | | | | |
| OS100G...160G | Left/right | OSP160GN | 1SCA114770R1001 | 0.45 |
| OS200_ | Left/right | OSP200N | 1SCA022735R8700 | 1.20 |
| OS250_ | Left/right | OSP250N | 1SCA022735R9260 | 1.20 |
| OS400_ | Left/right | OSP400N | 1SCA022770R3490 | 1.20 |
| OS630...800 | Left/right | OSP800N | 1SCA100432R1001 | 4.40 |
| OS1200...1250 | Left/right | OSP1250N | 1SCA107943R1001 | 7.20 |

Accessories for manual and motorized switch fuses 20 ...1250 A

Ordering information for neutral links



OSZ1

Neutral links

For OS20F...OS40F

Detachable, mounting onto base plate or DIN-rail

| Max. wire | H/W/D [mm] | Mounting holes | Type | Order number | Weight/unit [kg] |
|--------------------|------------|--------------------|-----------|-----------------|------------------|
| 16 mm ² | 39/41/40 | ø 4.2, distance 35 | OESAZX171 | 1SCA022197R2580 | 0.06 |

For OS/OSM 32G...160G

Detachable, mounting onto the base plate or DIN-rail.

| Max. wire | H/W/D [mm] | Mounting holes | Type | Order number | Weight/unit [kg] |
|-----------------------|------------|--------------------|------|-----------------|------------------|
| 16 mm ² Cu | 39/41/40 | ø 4.2, distance 32 | OSZ1 | 1SCA022481R3710 | 0.06 |
| 35 mm ² Cu | 39/44/45 | ø 4.2, distance 35 | OSZ2 | 1SCA022481R3800 | 0.07 |

For OS/OSM 100G...1250

Mounting with screws (included) onto either side of the switch (OXN250 to OS200...250) or on the base plate (OXN250...1250) according the table below.

| Suitable for switches | Type | Order number | Weight/unit [kg] |
|---|----------|-----------------|------------------|
| Detachable, mounting on the switch | | | |
| OS200...250 | OXN250 | 1SCA022752R9950 | 0.40 |
| Detachable, mounting on the base plate | | | |
| OS/OSM32G...250 | OXN250 | 1SCA022752R9950 | 0.40 |
| OS/OSM315...400 | OXN400 | 1SCA022770R3060 | 0.70 |
| OS/OSM630...800 | OXN800S | 1SCA022831R4880 | 1.20 |
| OS/OSM1250 | OXN1250S | 1SCA104163R1001 | 2.50 |



OXN250



OXN400



OXN800S

Accessories for manual and motorized switch fuses 32...1250 A

Ordering information for handle and spare fuse storage clip



OTVS1



OTVS2



PB200 high

Solid links

| Suitable for switches | Type | Order number | Weight/unit [kg] |
|-----------------------|---------|-----------------|------------------|
| OS32GD...OS160GD | OFAW00 | 1SCA022003R9680 | 0.08 |
| OS200...250B, J | OEZNL1 | 1SCA022723R7400 | 0.19 |
| OS600J, 800...1200L | OEZNL8 | 1SCA113998R1001 | 0.58 |
| OS1250B | OEZNL10 | 1SCA116437R1001 | 0.60 |
| OS250 D | OFAW1 | 1SCA022003R9760 | 0.15 |
| OS400 D | OFAW2 | 1SCA022003R9840 | 0.24 |
| OS630/800 D | OFAW3 | 1SCA022003R9920 | 0.28 |
| OS1250 D | OFAW4 | 1SCA022842R5440 | 0.665 |
| OS1250 D | OFAW4a | 1SCA148430R1001 | 0.665 |

Handle and spare fuse storage clip for OSM

Handle and two spare fuses (for motor operator) can be stored on the OTVS_. OTVS_ can be installed on the left side of the motorized switch-fuse OSM_. Snap-on mounting, no tools required. On OSM1250, the size of the handle prevents the installation onto the switch frame. However, the handle clip can be separately installed on the panel frame and the fuse holder clip onto the switch frame.

| Suitable for switches | Type | Order number | Weight/unit [kg] |
|-----------------------|-------|-----------------|------------------|
| OSM32G...250 | OTVS1 | 1SCA111413R1001 | 0.02 |
| OSM315...1250 | OTVS2 | 1SCA111414R1001 | 0.04 |

Phase barriers

The phase barriers designed for ABB Tmax T4-T5 MCCB's can also be used for OS200...400 switch fuses. 3-pole switch fuses need 4 barriers and 4-pole switch fuses need 6 barriers for full protection. Cutting width of the phase barrier 55mm.

| Suitable for switches | No. of poles | Height h[mm] | Type | Order number | Units/type [pcs] |
|-----------------------|--------------|--------------|------------|-----------------|------------------|
| OS100G...OS200 | 3 | - | OSB160/4 | 1SCA131820R1001 | 4 |
| OS100G...OS200 | 3 | - | OSB160/6 | 1SCA131821R1001 | 6 |
| OS250 | 3 | - | OSB250/4 | 1SCA131822R1001 | 4 |
| OS250 | 4 | - | OSB250/6 | 1SCA131823R1001 | 6 |
| OS315, OS400 | 3 | 200 | PB200 high | 1SDA054972R1 | 4 |
| OS315, OS400 | 4 | 200 | PB200 high | 1SDA054973R1 | 6 |

Accessories for manual and motorized switch fuses 32...1250 A

Ordering information for terminal shrouds



OSS200G1L



OSS200G1S



OSS250G1L



OSS800G1L



OSS800G1S



OSS250G1SH

Terminal shrouds

| Suitable for switches | Description | Type | Order number | Units/type [pcs] | Weight/unit [kg] |
|--|-------------|--------------|-----------------|------------------|------------------|
| Pack of single pole terminal shrouds | | | | | |
| Snap-on mounting, grey plastic, IP 3X from front. Transparent shrouds available on request. | | | | | |
| OS/OSM100G...160G, OS200GB | Long type | OSS160GG1L/3 | 1SCA114764R1001 | 3 | 0.08 |
| OS/OSM100G...160G, OS200GB | Short type | OSS160GG1S/3 | 1SCA114766R1001 | 3 | 0.05 |
| OS/OSM100G...160G, OS200GB | Long type | OSS160GG1L/4 | 1SCA114765R1001 | 4 | 0.11 |
| OS/OSM100G...160G, OS200GB | Short type | OSS160GG1S/4 | 1SCA114767R1001 | 4 | 0.07 |
| OS/OSM200 | Long type | OSS200G1L/3 | 1SCA022731R8910 | 3 | 0.09 |
| OS/OSM200 | Short type | OSS200G1S/3 | 1SCA022732R0130 | 3 | 0.06 |
| OS/OSM200 | Long type | OSS200G1L/4 | 1SCA022731R9040 | 4 | 0.12 |
| OS/OSM200 | Short type | OSS200G1S/4 | 1SCA022732R0050 | 4 | 0.08 |
| OS/OSM250 | Long type | OSS250G1L/3 | 1SCA022731R9390 | 3 | 0.09 |
| OS/OSM250 | Short type | OSS250G1S/3 | 1SCA022731R9550 | 3 | 0.06 |
| OS/OSM250 | Long type | OSS250G1L/4 | 1SCA022731R9470 | 4 | 0.12 |
| OS/OSM250 | Short type | OSS250G1S/4 | 1SCA022731R9630 | 4 | 0.08 |
| OS/OSM315...400 | Long type | OSS400G1L/3 | 1SCA022776R6650 | 3 | 0.18 |
| OS/OSM315...400 | Short type | OSS400G1S/3 | 1SCA022776R6900 | 3 | 0.10 |
| OS/OSM315...400 | Long type | OSS400G1L/4 | 1SCA022776R6730 | 4 | 0.25 |
| OS/OSM315...400 | Short type | OSS400G1S/4 | 1SCA022776R7030 | 4 | 0.15 |
| OS/OSM600...800 | Long type | OSS800G1L/3 | 1SCA022776R7200 | 3 | 0.53 |
| OS/OSM600...800 | Short type | OSS800G1S/3 | 1SCA022776R7540 | 3 | 0.21 |
| OS/OSM600...800 | Long type | OSS800G1L/4 | 1SCA022776R7380 | 4 | 0.70 |
| OS/OSM600...800 | Short type | OSS800G1S/4 | 1SCA022776R7460 | 4 | 0.28 |
| OS1200...1250 / OSM1250 | Long type | OSS1250G1L/3 | 1SCA107938R1001 | 3 | 0.76 |
| OS1200...1250 / OSM1250 | Short type | OSS1250G1S/3 | 1SCA107939R1001 | 3 | 0.40 |
| OS1200...1250 / OSM1250 | Long type | OSS1250G1L/4 | 1SCA107940R1001 | 4 | 1.00 |
| OS1200...1250 / OSM1250 | Short type | OSS1250G1S/4 | 1SCA107941R1001 | 4 | 0.52 |
| Terminal shrouds suitable for mechanisms with detachable integrated neutral (N3 versions) | | | | | |
| OS/OSM100G...250_N3_ | Long type | OTS250G1L | 1SCA022715R5340 | 1 | 0.03 |
| OS/OSM100G...250_N3_ | Short type | OTS250G1S | 1SCA022715R5260 | 1 | 0.02 |
| OS/OSM315...400_N3_ | Long type | OSS250G1L | 1SCA022727R5080 | 1 | 0.03 |
| OS/OSM315...400_N3_ | Short type | OSS250G1S | 1SCA022727R4940 | 1 | 0.02 |
| OS/OSM630...800_N3_ | Long type | OTS800G1L | 1SCA022776R7710 | 1 | 0.10 |
| OS/OSM630...800_N3_ | Short type | OTS800G1S | 1SCA022776R8010 | 1 | 0.06 |
| OS1200...1250/OSM1250_N3_ | Long type | OTS1600G1L | 1SCA106134R1001 | 1 | 0.20 |
| OS1200...1250/OSM1250_N3_ | Short type | OTS1600G1S | 1SCA102667R1001 | 1 | 0.12 |
| Single pole terminal shroud for the fourth pole side terminals (LR-types) | | | | | |
| IP20, snap-on mounting, grey plastic. | | | | | |
| OS250_LR | Short type | OSS250G1SH/1 | 1SCA103500R1001 | 1 | 0.003 |
| OS400_LR | Short type | OSS400G1SH/1 | 1SCA103503R1001 | 1 | 0.003 |

Please consult us when using OS600J...OS800L with OZXA-800 lugs.

Accessories for manual and motorized switch fuses 32...1250 A

Ordering information for terminal shrouds



OSS160GG3LS



OSS400G3LS



OEZXU14

Terminal shrouds:

Three and four pole terminal shrouds for side terminals (LR types)

IP20. Snap-on mounting, grey plastic.

| Suitable for switches | No. of poles | Remarks | Type | Order number | Units/ type [pcs] | Weight/ unit [kg] |
|-----------------------|--------------|-------------------|-------------|-----------------|-------------------|-------------------|
| OS100G...160G_LR | 3 | Long type | OSS160GG3LS | 1SCA121570R1001 | 1 | 0.01 |
| OS100G...160G_LR | 4 | Long type | OSS160GG4LS | 1SCA121571R1001 | 1 | 0.01 |
| OS200...400_ | 3 | Short type | OSS400G3SS | 1SCA100390R1001 | 1 | 0.01 |
| OS200...400_ | 3 | Long type | OSS400G3LS | 1SCA100396R1001 | 1 | 0.01 |
| OS200...400_ | 4 | Left side, short | OSS400G4SSL | 1SCA100392R1001 | 1 | 0.01 |
| OS200...400_ | 4 | Left side, long | OSS400G4LSL | 1SCA100398R1001 | 1 | 0.01 |
| OS200...400_ | 4 | Right side, short | OSS400G4SSR | 1SCA100394R1001 | 1 | 0.01 |
| OS200...400_ | 4 | Right side, long | OSS400G4LSR | 1SCA100400R1001 | 1 | 0.01 |

Single pole shroud for terminal clamps

Snap-on mounting, transparent plastic, IP 2X.

| Suitable for clamps | Type | Order number | Units/ type [pcs] | Weight/ unit [kg] |
|---------------------|--------|-----------------|-------------------|-------------------|
| OZXB2, 2L | OZXB2K | 1SCA022264R0010 | 3 | 0.06 |
| OZXB3, 4 | OZXB3K | 1SCA022264R0440 | 3 | 0.18 |
| OZXB5, 6 | OZXB4K | 1SCA022199R2850 | 3 | 0.24 |
| OZXB7, 7L | OZXB5K | 1SCA022283R8040 | 3 | 0.15 |

Terminal angle for side terminals (LR types)

Terminal angle extension bar for cable connections in upper or lower position. Including terminal bolts M10x30.

| Suitable for switches | Type | Order number | Units/ type [pcs] | Weight/ unit [kg] |
|--------------------------|-----------|-----------------|-------------------|-------------------|
| OS100G...160G_LR, 3-pole | OEZXU68/3 | 1SCA121380R1001 | 3 | |
| OS100G...160G_LR, 4-pole | OEZXU68/4 | 1SCA121379R1001 | 4 | |
| OS200...400_LR | OEZXU14/3 | 1SCA100361R1001 | 3 | 0.24 |
| OS200...400_LR | OEZXU14/4 | 1SCA101082R1001 | 4 | 0.32 |

Accessories for manual and motorized switch fuses 32...1250 A

Ordering information for terminal clamp sets



OZXT1



OZXB8



OZXB2L



OZXB17

Terminal clamp sets

| Suitable for switches | Cable cross section [mm ²] | Type | Order number | Units/ type [pcs] | Weight/ unit [kg] |
|---------------------------|--|-------|-----------------|-------------------|-------------------|
| Insulated versions | | | | | |
| OS/OSM32G...63G | 16...50 Al, 2.5...50 Cu | OZXT1 | 1SCA022469R6310 | 3 | 0.05 |

OZXB-type Al/Cu connectors made of stainless steel

| Suitable for switches | Cable cross section [mm ²] | Suitable shroud | Type | Order number | Units/ type [pcs] | Weight/ unit [kg] |
|---------------------------------|--|-----------------|--------|-----------------|-------------------|-------------------|
| OS/OSM100G...160G ¹⁾ | 10...70 | OSS160G_ | OZXB1L | 1SCA022169R2030 | 3 | 0.15 |
| OS/OSM100G...160G ¹⁾ | 95...185 | OSS160G_ | OZXB8 | 1SCA022744R1510 | 3 | 0.50 |
| OS/OSM200 | 10...70 | OSS200_L | OZXB1L | 1SCA022169R2030 | 3 | 0.15 |
| OS/OSM200 | 25...120 | OZXB2K | OZXB2 | 1SCA022119R7610 | 3 | 0.34 |
| OS/OSM200 ²⁾ | 25...120 | OZXB2K | OZXB2L | 1SCA022158R7750 | 3 | 0.42 |
| OS/OSM200 | 95...185 | OSS200_L | OZXB8 | 1SCA022744R1510 | 3 | 0.50 |
| OS200 | 95...240 | OSS200_L | OZXB9 | 1SCA022750R3210 | 3 | 0.50 |
| OSM250 | 10...70 | OSS200_L | OZXB1L | 1SCA022169R2030 | 3 | 0.15 |
| OS/OSM250 ²⁾ | 25...120 | OZXB2K | OZXB2L | 1SCA022158R7750 | 3 | 0.42 |
| OS/OSM250 ²⁾ | 95...185 | OZXB3K | OZXB3 | 1SCA022136R8100 | 3 | 1.30 |
| OS/OSM250 ²⁾ | 2x(95...185) | OZXB3K | OZXB4 | 1SCA022137R4760 | 3 | 1.70 |
| OS/OSM250 ²⁾ | 120...300 | OZXB4K | OZXB5 | 1SCA022137R2470 | 3 | 2.30 |
| OS/OSM250 ²⁾ | 120...240 | OZXB5K | OZXB7L | 1SCA022185R7130 | 3 | 1.20 |
| OS/OSM250 ²⁾ | 95...185 | OSS250_L | OZXB8 | 1SCA022744R1510 | 3 | 0.50 |
| OS250 ²⁾ | 95...240 | OSS250_L | OZXB9 | 1SCA022750R3210 | 3 | 0.50 |
| OS200...400_LR_ | 95...240 | OSS400G4LSL | OZXB17 | 1SCA022859R3230 | 3 | 0.53 |

¹⁾ Suitable for OS125G...160G_LR -types only with terminal angle OEZXU68.

²⁾ Suitable for OS250_BB -types, OS200B_LR, for OS250_LR types suitable only with terminal angle OEZXU14.

Accessories for manual and motorized switch fuses 32...1250 A

Ordering information for terminal clamp sets



OZXB2L



OZXB8

Terminal clamp sets

| Suitable for switches | Cable cross section [mm ²] | Type | Order number | Units/type [pcs] | Weight/unit [kg] | |
|---|--|----------|--------------|------------------|------------------|------|
| OZXB-type Al/Cu connectors made of stainless steel | | | | | | |
| OS/OSM315...400 ¹⁾ | 25...120 | OSS400_L | OZXB2L | 1SCA022158R7750 | 3 | 0.42 |
| OS/OSM315...400 ¹⁾ | 95...185 | OZXB3K | OZXB3 | 1SCA022136R8100 | 3 | 1.30 |
| OS/OSM315...400 ¹⁾ | 2x(95...185) | OZXB3K | OZXB4 | 1SCA022137R4760 | 3 | 1.70 |
| OS315...400 ¹⁾ | 120...300 | OZXB4K | OZXB5 | 1SCA022137R2470 | 3 | 2.30 |
| OS315...400 ¹⁾ | 2x(120...300) | OZXB4K | OZXB6 | 1SCA022137R4920 | 3 | 3.03 |
| OS/OSM315...400 ¹⁾ | 120...240 | OZXB5K | OZXB7 | 1SCA022185R0040 | 3 | 1.00 |
| OS/OSM315...400 ¹⁾ | 95...185 | OSS400_L | OZXB8 | 1SCCA022744R1510 | 3 | 0.50 |
| OS/OSM315...400 ¹⁾ | 95...240 | OSS400_L | OZXB9 | 1SCA022750R3210 | 3 | 0.50 |
| OS/OSM630...800 | 95...185 | OSS800_L | OZXB3 | 1SCA022136R8100 | 3 | 1.30 |
| OS/OSM630...800 | 2x(95...185) | OSS800_L | OZXB4 | 1SCA022137R2470 | 3 | 1.70 |
| OS/OSM630...800 | 120...300 | OSS800_L | OZXB5 | 1SCA022137R2470 | 3 | 2.30 |
| OS/OSM630...800 | 2x(120...300) | OSS800_L | OZXB6 | 1SCA022137R4920 | 3 | 3.03 |
| OS/OSM630...800 | 120...240 | OSS800_L | OZXB7L | 1SCA022185R7130 | 3 | 1.20 |
| OS/OSM630...800 | 95...185 | OSS800_L | OZXB8 | 1SCA022744R1510 | 3 | 0.50 |
| OS/OSM630...800 | 95...240 | OSS800_L | OZXB9 | 1SCA022750R3210 | 3 | 0.50 |

¹⁾ Suitable for OS315...400_BB_-types, for OS315...400_LR_-types suitable only with terminal angle OZXU14.

Accessories for manual and motorized switch fuses 32...1250 A

Ordering information for terminal clamp sets



OZXB8



OZXR95



OZXR185



OZXR240



OZXR300

Terminal clamp sets

| Suitable for switches | Cable cross section [mm ²] | Suitable shroud | Type | Order number | Units/type [pcs] | Weight/unit [kg] |
|---|--|-----------------|-----------|-----------------|------------------|------------------|
| OZXR type Al/Cu connectors made of stainless steel | | | | | | |
| OS/OSM1250 | 95...185 | OTS1600_L | OZXB3 | 1SCA022136R8100 | 3 | 1.30 |
| OS/OSM1250 | 2x(95...185) | OTS1600_L | OZXB4 | 1SCA022137R4760 | 3 | 1.70 |
| OS/OSM1250 | 120...300 | OTS1600_L | OZXB5 | 1SCA022137R2470 | 3 | 2.03 |
| OS/OSM1250 | 2x(120...300) | OTS1600_L | OZXB6 | 1SCA022137R4920 | 3 | 3.03 |
| OS/OSM1250 | 210...240 | OTS1600_L | OZXB7L | 1SCA022185R7130 | 3 | 1.20 |
| OS/OSM1250 | 95...185 | OTS1600_L | OZXB8 | 1SCA022744R1510 | 3 | 0.50 |
| OS/OSM1250 | 95...240 | OTS1600_L | OZXB9 | 1SCA022750R3210 | 3 | 0.50 |
| OZXR type Al/Cu connectors made of stainless steel and copper²⁾ | | | | | | |
| OS100G...160G ¹⁾ | 6...70 | OSS160G_L | OZXR70 | 1SCA115529R1001 | 3 | 0.15 |
| OS100G...160G ¹⁾ | 25...95 | OSS160G_L | OZXR95 | 1SCA115530R1001 | 3 | 0.21 |
| OS200 | 25...95 | OSS200_L | OZXR95 | 1SCA115530R1001 | 3 | 0.21 |
| OS200 | 95...185 | OSS200_L | OZXR185 | 1SCA115531R1001 | 3 | 0.45 |
| OS200 | 2x(95...185) | - | OZXR2X185 | 1SCA115534R1001 | 3 | 0.66 |
| OS250 | 95...185 | OSS250_L | OZXR185 | 1SCA115531R1001 | 3 | 0.45 |
| OS250 | 2x(95...185) | - | OZXR2X185 | 1SCA115534R1001 | 3 | 0.66 |
| OS315...400 | 95...240 | OSS400_L | OZXR240 | 1SCA115532R1001 | 3 | 0.42 |
| OS315...400 | 2x(95...185) | - | OZXR2X185 | 1SCA115534R1001 | 3 | 0.66 |
| OS315...400 | 185...300 | - | OZXR300 | 1SCA115533R1001 | 3 | 0.87 |
| OS630...800 | 2x(185...300) | OSS800_L | OZXR2X300 | 1SCA115535R1001 | 3 | 1.59 |
| OZXP type Al/Cu connectors made of tin plated aluminium profile²⁾ | | | | | | |
| OS100G...160G ¹⁾ | 6...95 | OSS160G_L | OZXP95 | 1SCA115539R1001 | 3 | 0.09 |
| OS200 | 6...95 | OSS200_L | OZXP95 | 1SCA115539R1001 | 3 | 0.09 |
| OS200 | 16...120 | OSS200_L | OZXP120 | 1SCA115540R1001 | 3 | 0.15 |
| OS200 | 25...150 | - | OZXP150 | 1SCA115541R1001 | 3 | 0.18 |
| OS200 | 35...240 | - | OZXP240 | 1SCA115542R1001 | 3 | 0.27 |
| OS250 | 35...240 | - | OZXP240 | 1SCA115542R1001 | 3 | 0.27 |
| OS315...400 | 35...240 | - | OZXP240 | 1SCA115542R1001 | 3 | 0.27 |
| OS315...400 | 95...300 | - | OZXP300 | 1SCA115543R1001 | 3 | 0.42 |
| OS315...400 | 2x(70...240) | - | OZXP2X240 | 1SCA115544R101 | 3 | 1.38 |
| OS630...800 | 2x(70...240) | OSS800_L | OZXP2X240 | 1SCA115544R1001 | 3 | 1.38 |

¹⁾ For _LR-types, suitable only with terminal angle OEZXU68.

²⁾ Suitable also for OS200...400_BB_ for OS200...400_LR_-types suitable only with terminal angle OEZXU14.

Accessories for manual operated switch fuses 32...1250 A

Ordering information for terminal lugs



Terminal lug kits fro Al- and Cu-cables for UL/CSA disconnect switches

One kit includes 6 pcs.

| Suitable for switches | Cable size | Type | Tightening torque [lb.in/Nm] | Weight/unit [kg] | Weight/unit [lb] |
|-----------------------|------------------|-----------|------------------------------|------------------|------------------|
| OS100 | AWG14-2/0 | OZXA-24 | 120/13.6 | 0.21 | 0.45 |
| OS200 | AWG 4-300MCM | OZXA-200 | 275/31.1 | 0.04 | 0.09 |
| OS400 | AWG2-600MCM | OZXA-400 | 375/42.4 | 0.05 | 0.12 |
| OS600...800 | 2 X AWG 2-600MCM | OZXA-800 | 500/56.5 | 0.21 | 0.45 |
| OS1200 | 4 X AWG 2-600MCM | OZXA-1200 | 500/56.5 | 0.45 | 0.98 |

For ordering please consult us.

Technical data for terminal lugs

| Description | |
|--------------------------------------|---------------------|
| UL approval file | E6207 |
| Temperature rating, °C | 75 |
| Wire tightening Type of tool | Allen (Hex) wrench |
| Lug mounting | Bolt & nut mounting |
| AWG (American Wire Gauge) wire class | B.C |

Accessories for manual operated switch fuses 32...1250 A

Ordering information for conversion kits



OESAZW2

Conversion kits for front operated combination switches

| Suitable for switches | Switches needed [pcs] | Shaft distance [mm] | Type | Order number | Units/type [pcs] | Weight/unit [kg] |
|-----------------------|-----------------------|---------------------|------|--------------|------------------|------------------|
|-----------------------|-----------------------|---------------------|------|--------------|------------------|------------------|



OTZW25

6 and 8-pole switch mechanism

Parallel attachment for connecting 3- and 4-pole switches. The switches work simultaneously.

6 and 8-pole switches, OS32G...400

The attachment levers are provided with holes, enabling different shaft distances. The combination switches can be mounted either horizontally or vertically.

| | | | | | | |
|-------------|------------------|--------------------------------|---------|-----------------|---|------|
| OS32G...250 | Two 3- or 4-pole | 45...240mm, step distance 15mm | OESAZW2 | 1SCA022078R1600 | 1 | 0.37 |
| OS315...400 | Two 3- or 4-pole | 60...440mm, step distance 20mm | OETLZW9 | 1SCA022061R3300 | 1 | 1.1 |



OTZW26

Change-over switch mechanism

Two switches connected with a mechanism operating into I-O-II positions.

| | | | | | | |
|-------------|------------------|---------------------------------|----------|-----------------|---|-----|
| OS32G...250 | Two 3- or 4-pole | 210...570mm, step distance 20mm | OTZW25 | 1SCA022778R6920 | 1 | 2.8 |
| OS315...400 | Two 3- or 4-pole | 210...430mm, step distance 20mm | OETLZW11 | 1SCA022078R0030 | 1 | 3.0 |
| OS315...400 | Two 3- or 4-pole | 210...610mm, step distance 20mm | OETLZW12 | 1SCA022078R0200 | 1 | 4.6 |



OETLZW14

Bypass switch mechanism

A combination of two switches in parallel with a third switch for change-over operation to bypass, for example, a breaker for maintenance. The bypass attachment can be used together with another combination attachment.

| | | | | | | |
|-------------|--------------------|---------------------------------|----------|-----------------|---|-----|
| OS32G...250 | Three 3- or 4-pole | | OTZW26 | 1SCA022778R7060 | 1 | 3.3 |
| | Between 1 and 2: | 210...390mm, step distance 20mm | | | | |
| | Between 1 and 3: | 250...430mm, step distance 20mm | | | | |
| OS315...800 | Three 3- or 4-pole | | OETLZW13 | 1SCA022078R0460 | 1 | 4.0 |
| | Between 1 and 2: | 210...570mm, step distance 20mm | | | | |
| | Between 1 and 3: | 250...610mm, step distance 20mm | | | | |

Mechanical interlock mechanism

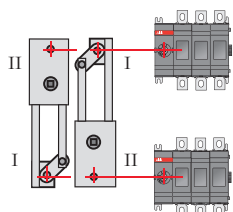
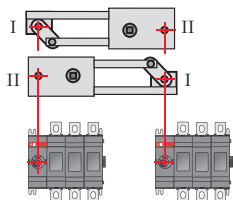
Prevents one switch from closing to ON -position, if the other is not in OFF - position.

OTZW/OETLZW-types: When mounted upside down, prevents one switch from opening to OFF-position, if the other is not in the ON-position. (UPS-usage, make-before-break)

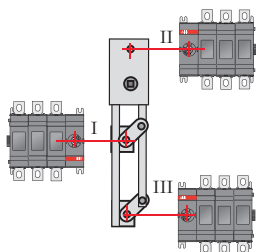
| | | | | | | |
|--------------|------------------|-----|----------|-----------------|---|------|
| OS32G...250 | Two 3- or 4-pole | 190 | OTZW10 | 1SCA022431R5280 | 1 | 0.40 |
| OS315...800 | Two 3- or 4-pole | 250 | OETLZW14 | 1SCA022077R3410 | 1 | 0.70 |
| OS315...800 | Two 3- or 4-pole | 300 | OETLZW3 | 1SCA022049R0380 | 1 | 0.80 |
| OS315...1250 | Two 3- or 4-pole | 500 | OETLZW15 | 1SCA022081R9340 | 1 | 1.24 |

Accessories for manual operated switch fuses 32...1250 A

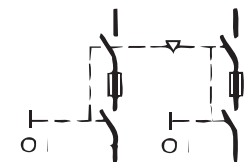
Ordering information for conversion kits



Change-over switches



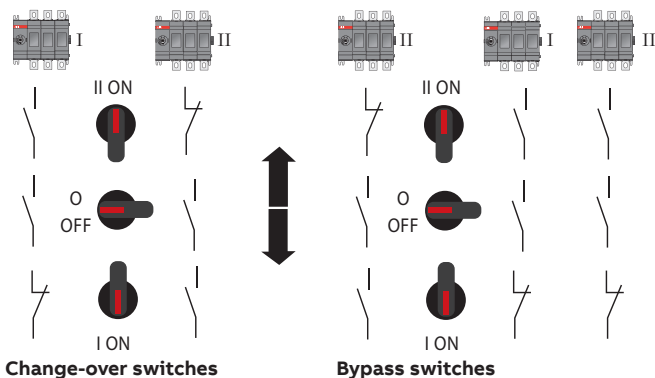
Change-over and bypass switches



Mechanical interlock

Shafts and handles for conversion kits

| Conversion kit type | Shaft | To be ordered separately | | Included in the conversion kit delivery | The standard handle or shaft of one of the combined switches can be used | |
|------------------------------|-------|--------------------------|-----------|---|--|--------|
| | | Handle | Shaft | | Shaft | Handle |
| 6 and 8-pole switches | | | | | | |
| OESAZW2 | - | - | x (2 pcs) | OHB145J12 | - | - |
| OETLZW9 | - | - | - | - | x | x |
| Change-over switches | | | | | | |
| OTZW25 | - | - | x (2 pcs) | OHB95J12E011 | - | - |
| OETLZW11 | - | - | x (2 pcs) | OHB145J12E011 | - | - |
| OETLZW12 | - | - | x (2 pcs) | YASDA21 | - | - |
| Bypass switches | | | | | | |
| OTZW26 | - | - | x (3 pcs) | OHB95J12E011 | - | - |
| OETLZW13 | - | - | x (3 pcs) | YASDA 6 | - | - |
| Mechanical interlock | | | | | | |
| OTZW10 | - | - | - | - | x | x |
| OETLZW14 | - | - | - | - | x | x |
| OETLZW3 | - | - | - | - | x | x |
| OETLZW15 | - | - | - | - | x | x |



Accessories for manual operated switch fuses 32...1250 A

Ordering information for cam attachment and interlocks



OSZT1A



OSZT2A



OETLZW5

Mechanism interlock kits and Electrical interlocks

OS32G...1250 switch fuses can be interlocked in the OFF position using padlocks and by using a mechanical interlock kit mounted on the mechanism. The diameter of the lock bail can be max 8 mm.

Note: The shaft must go through the interlock into the switch mechanism.

| Suitable for switches | Type | Order number | Weight/unit [kg] |
|---|--------|-----------------|------------------|
| Interlocking in the OFF position | | | |
| OS32G...160G | OTZT1A | 1SCA106522R1001 | 0.21 |
| OS200 ... 250_ | OSZT1A | 1SCA106532R1001 | 0.32 |
| OS315 ... 400_ | OSZT2A | 1SCA106534R1001 | 0.75 |
| OS600 ...800_ | OSZT3A | 1SCA106535R1001 | 1.20 |
| OS1200 ... 1250_ | OSZT4A | 1SCA106536R1001 | 2.00 |
| Interlocking in the OFF & ON positions | | | |
| OS32G...160G | OTZT1L | 1SCA106527R1001 | 0.21 |
| OS200 ... 250_ | OSZT1L | 1SCA106538R1001 | 0.32 |
| OS315 ... 400_ | OSZT2L | 1SCA106539R1001 | 0.75 |
| OS600 ...800_ | OSZT3L | 1SCA106540R1001 | 1.20 |
| OS1200 ... 1250_ | OSZT4L | 1SCA106541R1001 | 2.00 |

Cam attachment

Cam attachment for Castell, Lowe & Fletcher and Ronis interlock. Lock, handle or shaft are not included. Mounting on OXP shaft working together with external OH door handle.

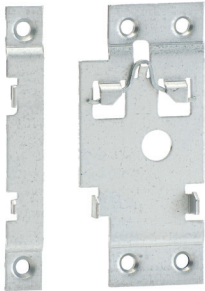
| Suitable for switches | Type | Order code | Weight/unit [kg] |
|-----------------------|---------|-----------------|------------------|
| OS315...1250 | OETLZW5 | 1SCA022052R3900 | 0.14 |

Accessories for manual operated switch fuses 32...1250 A

Ordering information for coils and mounting accessories



PDAL2-230AC50Hz



OSGZD1

Coils

By installing a coil inside the housing of the interlock kit the switch can be interlocked electrically in the OFF position or both in the OFF and ON positions. The electrical interlock works using the "closed circuit principle", meaning that when the control voltage is not connected to the coil, the switches provided with A-type interlocks cannot be turned to the ON position and switches with L-type interlocks cannot be turned to the ON or OFF positions.

| Suitable for switches | Type | Order number | Weight/unit [kg] |
|-----------------------|-----------------|-----------------|------------------|
| AC coils | | | |
| 24 VAC, 60 Hz | PDAL2/24AC60Hz | 1SCA111350R1001 | 0.15 |
| 110 VAC, 50Hz | PDAL2/110AC50Hz | 1SCA106543R1001 | 0.15 |
| 110 VAC, 60Hz | PDAL2/110AC60Hz | 1SCA107100R1001 | 0.15 |
| 120 VAC, 60 Hz | PDAL2/120AC60Hz | 1SCA111353R1001 | 0.15 |
| 208 VAC, 60Hz | PDAL2/208AC60Hz | 1SCA107101R1001 | 0.15 |
| 230 VAC, 50Hz | PDAL2/230AC50Hz | 1SCA107102R1001 | 0.15 |
| 240 VAC, 60 Hz | PDAL2/240AC60Hz | 1SCA111356R1001 | 0.15 |
| DC coils | | | |
| 24 VDC | PDAL2/24DC | 1SCA106542R1001 | 0.15 |
| 48 VDC | PDAL2/48DC | 1SCA107103R1001 | 0.15 |
| 60 VDC | PDAL2/60DC | 1SCA107104R1001 | 0.15 |
| 110 VDC | PDAL2/110DC | 1SCA107105R1001 | 0.15 |
| 125 VDC | PDAL2/125DC | 1SCA111338R1001 | 0.15 |
| 220 VDC | PDAL2/220DC | 1SCA112503R1001 | 0.15 |

Technical data for the coil

| | | | |
|-------------------------------|---------|------------------|--|
| Operating voltage | | U=0.8...1.1 x Un | |
| Operating ambient temperature | | -40°C.. 65°C | |
| Power consumption | with AC | 6.5 W | |
| | with DC | 9 VA | |

Mounting accessories: DIN-rail mounting kit

For mounting a switch fuse into 35 mm DIN-rail

| Suitable for switches | Type | Order number | Weight/unit [kg] |
|---------------------------|--------|-----------------|------------------|
| OS32G...160G, 1 - 4 -pole | OSGZD1 | 1SCA115688R1001 | 0.20 |

Accessories for manual operated switch fuses 32...1250 A

Ordering information for spare part kits

Spare part kits

| Suitable for switches | Type | Order number | Units/ type [pcs] | Weight/ unit [kg] |
|--|-----------|-----------------|-------------------|-------------------|
| Fuse cover, window and label set | | | | |
| OS32GB-OS63GB/ OS32GD-OS63GD/OS50GF | OSFC1/B10 | 1SCA149864R1001 | 10 | 0,100 |
| OS60GJ | OSFC2/B10 | 1SCA149872R1001 | 10 | 0,110 |
| OS125GD-OS160GD/OS125GF | OSFC3/B10 | 1SCA149873R1001 | 10 | 0,200 |
| OS100GB-OS200GB | OSFC4/B10 | 1SCA149874R1001 | 10 | 0,180 |
| OS100GJ | OSFC5/B10 | 1SCA149875R1001 | 10 | 0,180 |
| OS200D/OS200B | OSFC6/B10 | 1SCA149876R1001 | 10 | 0,300 |
| OS200J | OSFC7/B10 | 1SCA149877R1001 | 10 | 0,330 |
| OS250D/OS250B | OSFC8/B10 | 1SCA149878R1001 | 10 | 0,400 |
| OS400D | OSFC9/B4 | 1SCA149879R1001 | 4 | 0,200 |
| OS315B-OS400B/OS400J | OSFC10/B4 | 1SCA149865R1001 | 4 | 0,220 |
| OS630D-OS800D/OS630B-OS800B/OS600J-OS800L | OSFC11 | 1SCA149866R1001 | 1 | 0,100 |
| OS1250D/OS1250B/OS1200L | OSFC12 | 1SCA149867R1001 | 1 | 0,330 |
| Fuse cover and window | | | | |
| OS40FD | OSFC13 | 1SCA149868R1001 | 1 | 0,180 |
| Fuse cover | | | | |
| OS20FB/OS32FB | OSFC14 | 1SCA149869R1001 | 1 | 0,858 |
| OS25FF/OS32FF | OSFC15 | 1SCA149870R1001 | 1 | 0,077 |
| OS30FACC/OS30FAJ | OSFC16 | 1SCA149871R1001 | 1 | 0,073 |
| Mechanism cover and label set | | | | |
| OS50GF/OS60GJ-OS100GJ/OS32GB-OS160GB/OS32GD-OS160GD | OSMC1/B4 | 1SCA149880R1001 | 4 | 0,040 |
| OS200D-250D/OS200B-OS250B/OS200J | OSMC2/B4 | 1SCA149881R1001 | 4 | 0,045 |
| OS315B-OS400B/OS400D/OS400J | OSMC3 | 1SCA149882R1001 | 1 | 0,020 |
| OS630B-OS800B/OS630D-OS800D/OS600J-OS800J | OSMC4 | 1SCA149883R1001 | 1 | 0,050 |
| OS1250D/OS1250B/OS1200L | OSMC5 | 1SCA149884R1001 | 1 | 0,070 |
| Shaft locking ring and screw | | | | |
| OS32GD-OS250D/OS32GB-OS250B/OS50GF-OS125GF/OS60GJ-OS200J | OTZS2/B10 | 1SCA126043R1001 | 10 | 0,001 |
| Lock spring and screw | | | | |
| OS400D-OS1250D/OS315B-OS1250B/OS400J-OS1200L | OZX1 | 1SCA105708R1001 | 10 | 0,090 |



Switch fuses

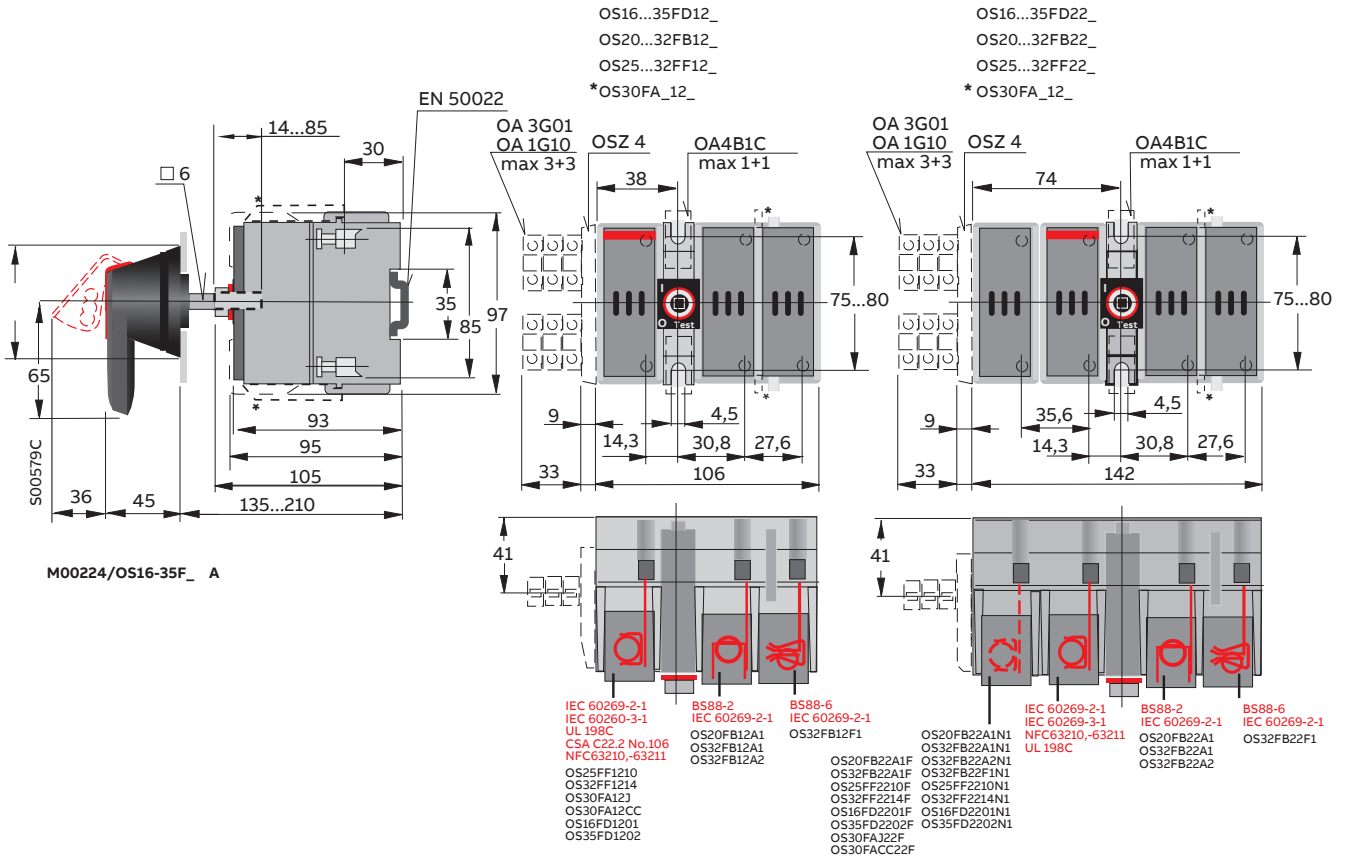
Dimensional drawings

| | |
|--|-----|
| Front operated switch fuses IEC and UL/CSA | 119 |
| Side operated switch fuses IEC and UL/CSA | 148 |
| Special connected switch fuses | 156 |
| Motorized switch fuses | 171 |
| Accessories for switch fuses 20...1250 A | 178 |

Front operated switch fuses, IEC and UL/CSA

Dimensional drawings

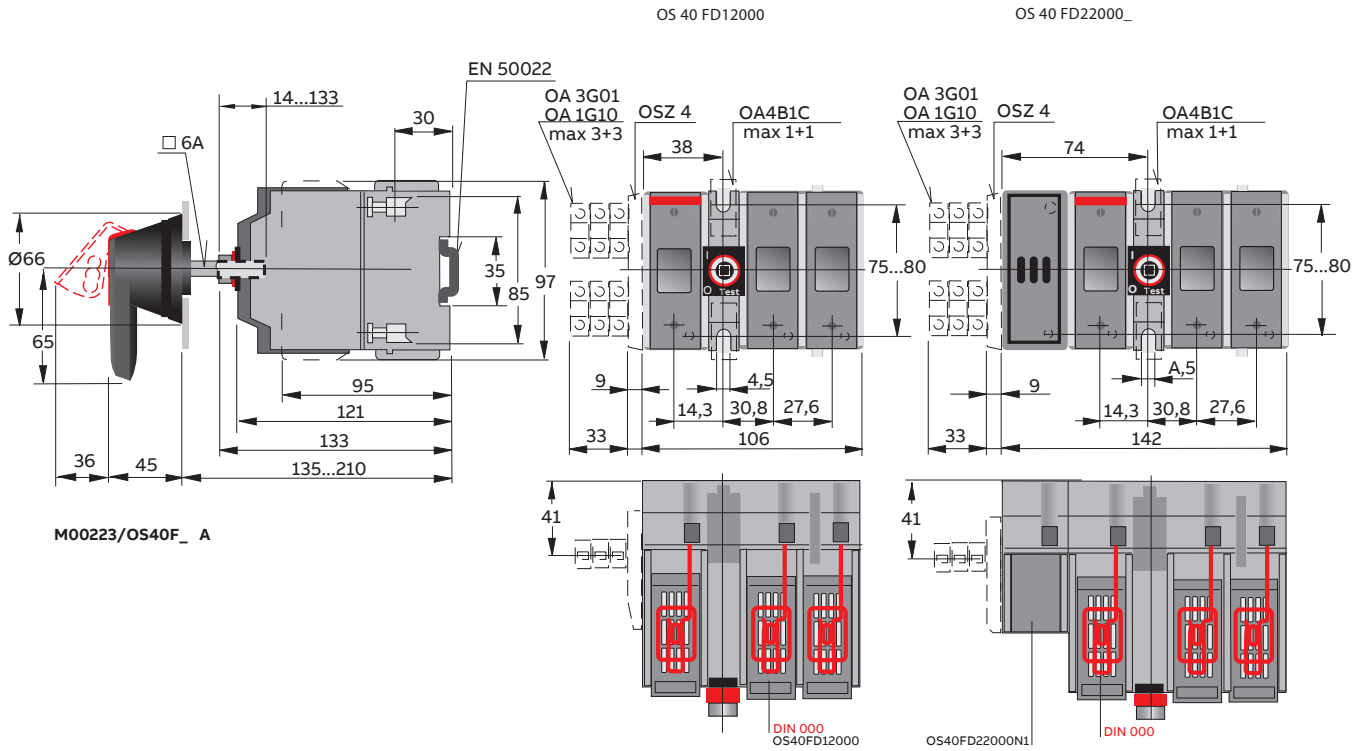
OS Mini



Front operated switch fuses, IEC and UL/CSA

Dimensional drawings

OS40 Mini (IEC Only)

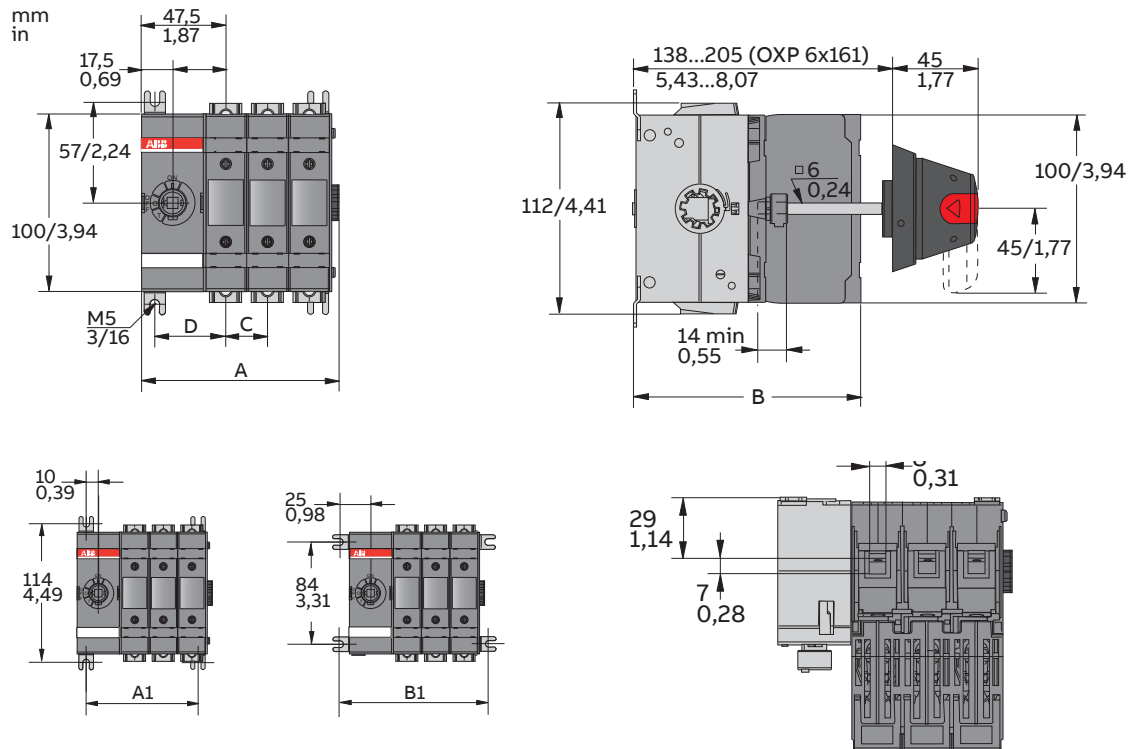


Front operated switch fuses, IEC

Dimensional drawings

OS32...63G_P

Mechanism at the end of the switch fuse



OS32-63GD

| [mm] | D01 | D02 | D03 | D04 |
|------|-------|-------|-------|-------|
| A | 64,5 | 88 | 111,5 | 135,5 |
| B | 120,5 | 120,5 | 120,5 | 120,5 |
| C | - | 23,5 | 23,5 | 23,5 |
| D | 40 | 40 | 40 | 40 |
| E | 30 | 30 | 30 | 30 |
| A1 | 45 | 68,5 | 92 | 111,5 |
| B1 | 75 | 98,5 | 122 | 145,5 |

M00287/OS32-63G_01-04 B

OS32-63GB/F

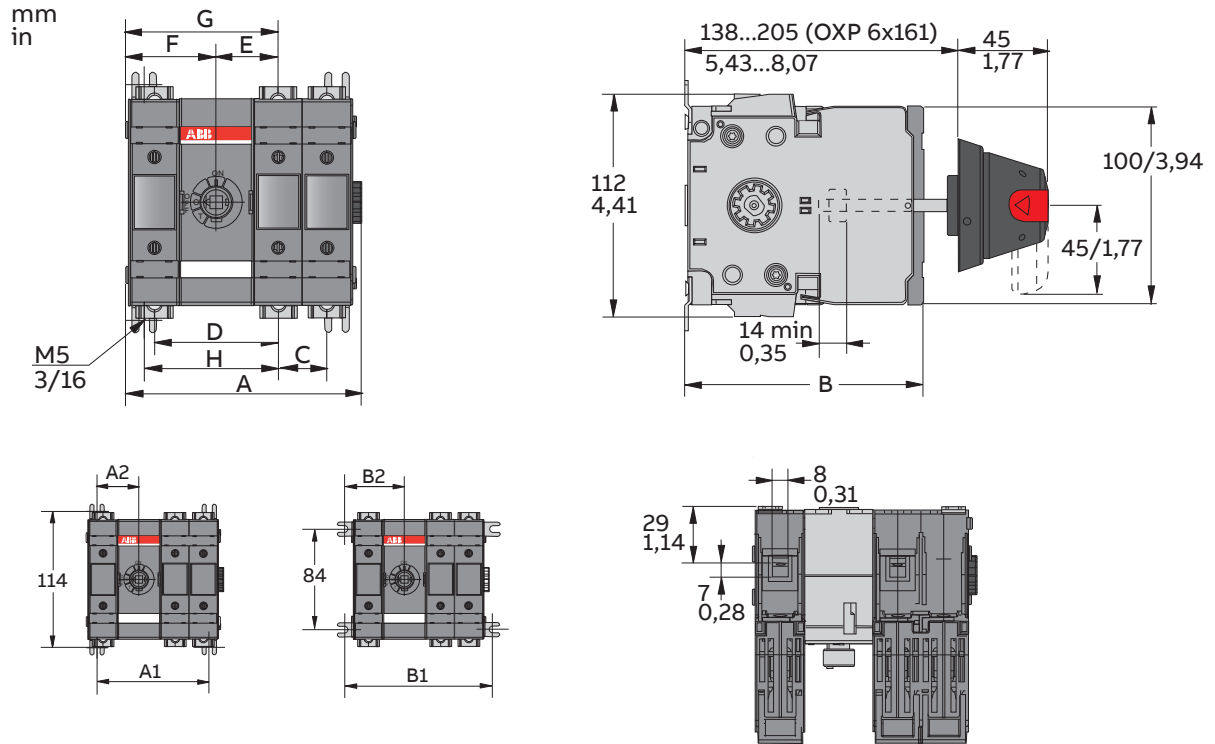
| [mm] | B/F01 | B/F02 | B/F03 | B/F04 |
|------|-------|-------|-------|-------|
| A | 64,5 | 88 | 111,5 | 135,5 |
| B | 108,5 | 108,5 | 108,5 | 108,5 |
| C | - | 23,5 | 23,5 | 23,5 |
| D | 40 | 40 | 40 | 40 |
| E | 30 | 30 | 30 | 30 |
| A1 | 45 | 68,5 | 92 | 111,5 |
| B1 | 75 | 98,5 | 122 | 145,5 |

Front operated switch fuses, IEC

Dimensional drawings

OS32...63G_P

Mechanism between the poles



| OS32-63GD | | | | |
|-----------|-------|-------|-------|-------|
| [mm] | D11 | D12 | D13 | D22 |
| A | 91 | 114,5 | 138 | 138 |
| B | 120,5 | 120,5 | 120,5 | 120,5 |
| C | - | 23,5 | 23,5 | 23,5 |
| D | 60 | 60 | 60 | 60 |
| E | 30 | 30 | 30 | 30 |
| F | 44 | 44 | 44 | 67,5 |
| G | 74 | 74 | 74 | 97,5 |
| A1 | 70 | 93,5 | 117 | 117 |
| A2 | 35 | 35 | 35 | 58,5 |
| B1 | 100 | 123,5 | 147 | 147 |
| B2 | 50 | 50 | 50 | 73,5 |

| OS32-63GB/F | | | | |
|-------------|-------|-------|-------|-------|
| [mm] | B/F11 | B/F12 | B/F13 | B/F22 |
| A | 91 | 114,5 | 138 | 138 |
| B | 108,5 | 108,5 | 108,5 | 108,5 |
| C | - | 23,5 | 23,5 | 23,5 |
| D | 60 | 60 | 60 | 60 |
| E | 30 | 30 | 30 | 30 |
| F | 44 | 44 | 44 | 67,5 |
| G | 74 | 74 | 74 | 97,5 |
| A1 | 70 | 93,5 | 117 | 117 |
| A2 | 35 | 35 | 35 | 58,5 |
| B1 | 100 | 123,5 | 147 | 147 |
| B2 | 50 | 50 | 50 | 73,5 |

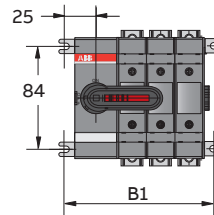
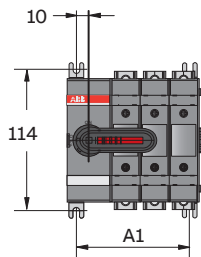
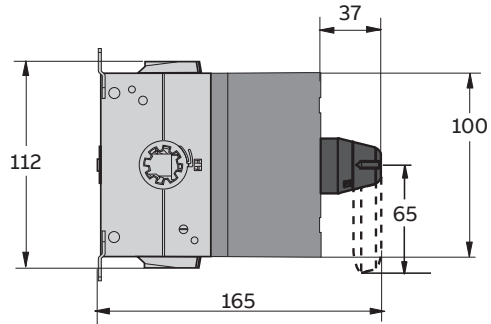
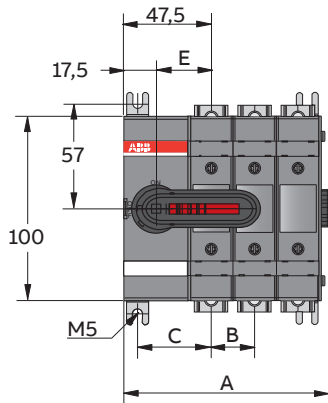
M00288/OS32-63G_11-22 B

Front operated switch fuses, IEC

Dimensional drawings

OS32G_K...OS63G_K

Direct mounted handle



| OS32-63G_K | | | | |
|------------|------|------|-------|-------|
| [mm] | D01 | D02 | D03 | D04 |
| A | 64,5 | 88 | 111,5 | 135,5 |
| B | 40 | 40 | 40 | 40 |
| C | - | 23,5 | 23,5 | 23,5 |
| E | 30 | 30 | 30 | 30 |
| A1 | 45 | 68,5 | 92 | 111,5 |
| B1 | 75 | 98,5 | 122 | 145,5 |

M00389/OS32-63G_01-04K A

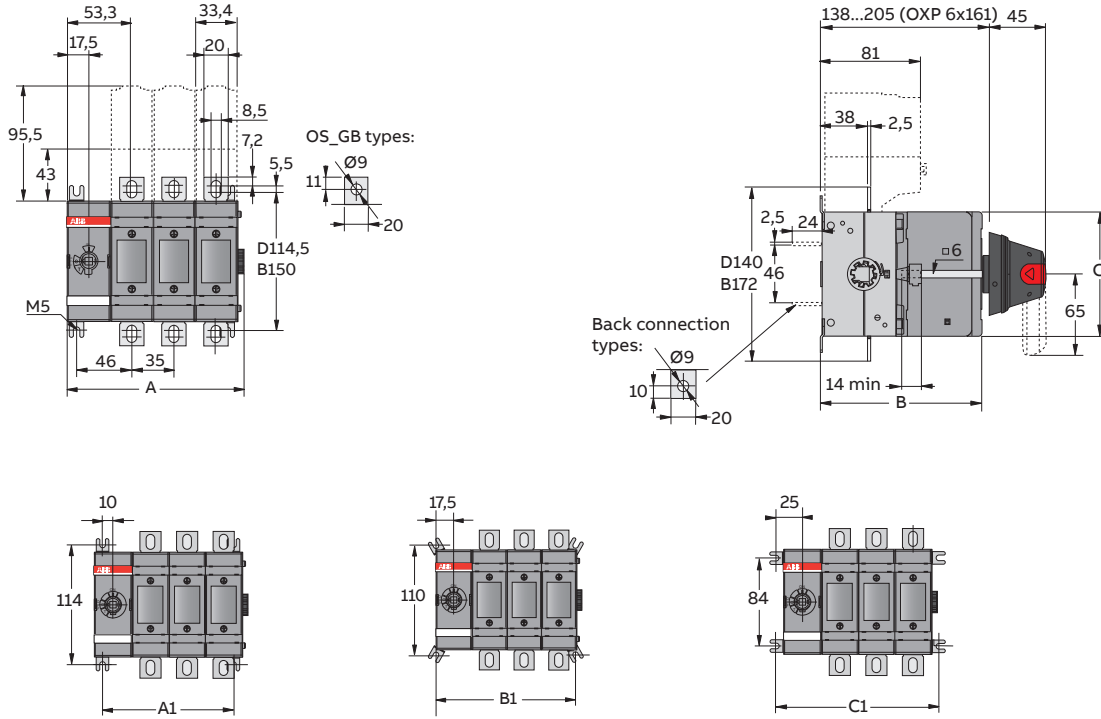
| OS32-63G_K | | | | |
|------------|-------|-------|-------|-------|
| [mm] | B/F01 | B/F02 | B/F03 | B/F04 |
| A | 64,5 | 88 | 111,5 | 135,5 |
| B | 40 | 40 | 40 | 40 |
| C | - | 23,5 | 23,5 | 23,5 |
| E | 30 | 30 | 30 | 30 |
| A1 | 45 | 68,5 | 92 | 111,5 |
| B1 | 75 | 98,5 | 122 | 145,5 |

Front operated switch fuses, IEC

Dimensional drawings

OS100...160G_P

Mechanism at the end of the switch fuse



| OS100-160G_ | | | | |
|-------------|-------|-------|-------|-------|
| [mm] | D/F01 | D/F02 | D/F03 | D/F04 |
| A | 76,5 | 111,5 | 146,5 | 181,5 |
| B | 130 | 130 | 130 | 114,5 |
| C | 100 | 100 | 100 | 100 |
| A1 | 55 | 90 | 125 | 160 |
| B1 | 70 | 105 | 140 | 175 |
| C1 | 85 | 120 | 155 | 190 |

| OS100-200G_ | | | | |
|-------------|-------|-------|-------|-------|
| [mm] | B01 | B02 | B03 | B04 |
| A | 76,5 | 111,5 | 146,5 | 181,5 |
| B | 114,5 | 114,5 | 114,5 | 114,5 |
| C | 118 | 118 | 118 | 118 |
| E | 55 | 90 | 125 | 160 |
| A1 | 70 | 105 | 140 | 175 |
| B1 | 85 | 120 | 155 | 190 |

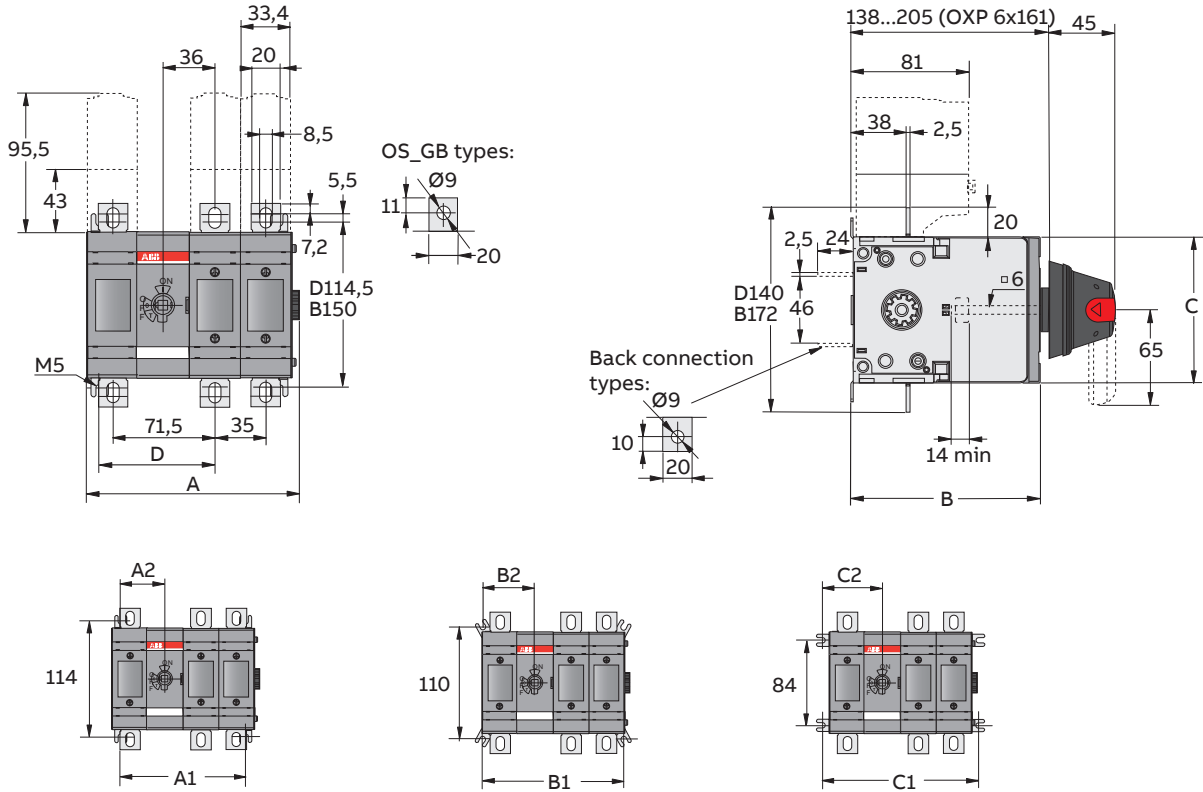
M00289/OS100-160G_01-04 C

Front operated switch fuses, IEC

Dimensional drawings

OS100...160G_P

Mechanism between the poles



| OS100-160G_ | | | | |
|-------------|-------|-------|-------|-------|
| [mm] | D/F11 | D/F12 | D/F13 | D/F22 |
| A | 113 | 148 | 183 | 183 |
| B | 130 | 130 | 130 | 130 |
| C | 100 | 100 | 100 | 100 |
| D | 81 | 81 | 81 | 116 |
| A1 | 90 | 125 | 160 | 160 |
| A2 | 45 | 45 | 45 | 80 |
| B1 | 105 | 140 | 175 | 175 |
| B2 | 52,5 | 52,5 | 52,5 | 87,5 |
| C1 | 120 | 155 | 190 | 190 |
| C2 | 60 | 60 | 60 | 95 |

M00290/OS100-160G_11-22 B

| OS100-200GB_ | | | | |
|--------------|-------|-------|-------|-------|
| [mm] | B11 | B12 | B13 | B22 |
| A | 113 | 148 | 183 | 183 |
| B | 114,5 | 114,5 | 114,5 | 114,5 |
| C | 118 | 118 | 118 | 118 |
| D | 81 | 81 | 81 | 116 |
| A1 | 90 | 125 | 160 | 160 |
| A2 | 45 | 45 | 45 | 80 |
| B1 | 105 | 140 | 175 | 175 |
| B2 | 52,5 | 52,5 | 52,5 | 87,5 |
| C1 | 120 | 155 | 190 | 190 |
| C2 | 60 | 60 | 60 | 95 |

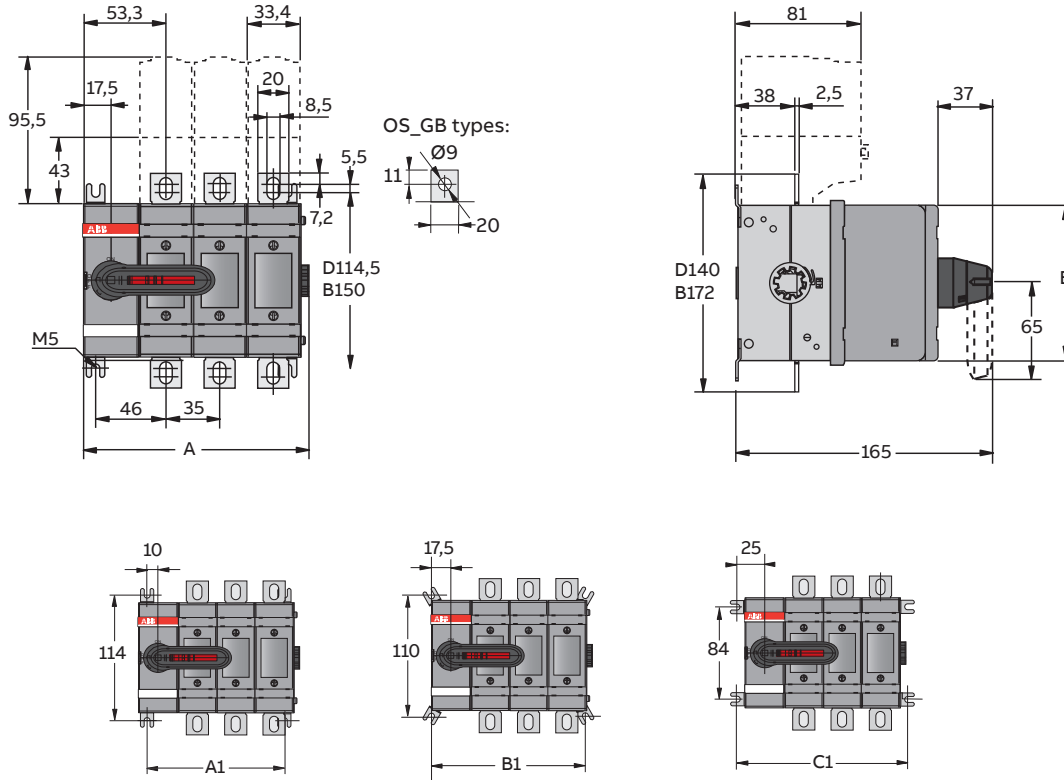
M00290/OS100-160G_11-22 B

Front operated switch fuses, IEC

Dimensional drawings

OS100G_K...OS160G_K

Direct mounted handle



| OS100-160G_K | | | | |
|--------------|-------|-------|-------|-------|
| [mm] | D/F01 | D/F02 | D/F03 | D/F04 |
| A | 76,5 | 111,5 | 146,5 | 181,5 |
| B | 100 | 100 | 100 | 100 |
| A1 | 55 | 90 | 125 | 160 |
| B1 | 70 | 105 | 140 | 175 |
| C1 | 85 | 120 | 155 | 190 |

M00390/OS100-160G_01-04K A

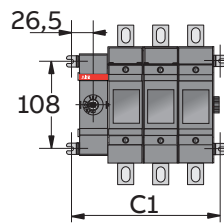
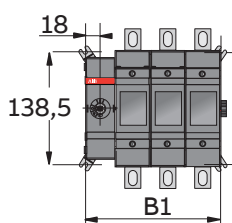
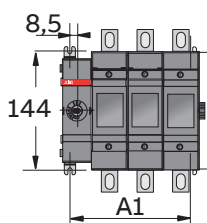
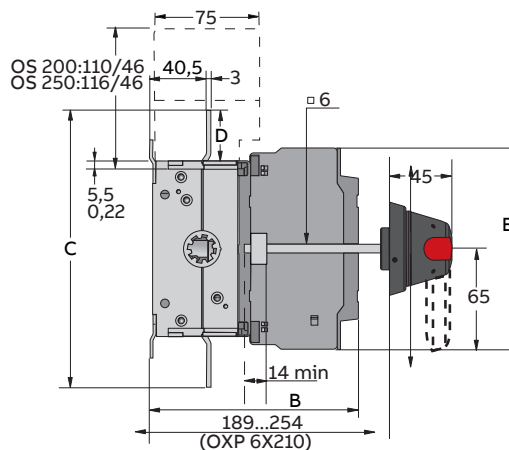
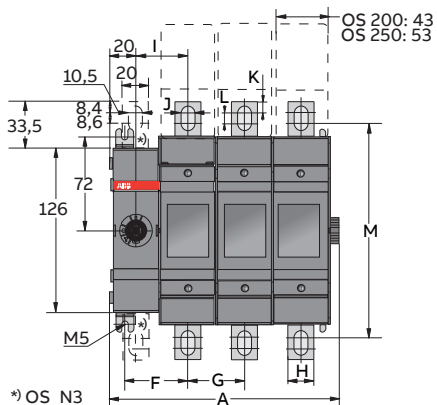
| OS100-200G_K | | | | |
|--------------|------|-------|-------|-------|
| [mm] | B01 | B02 | B03 | B04 |
| A | 76,5 | 111,5 | 146,5 | 181,5 |
| B | 118 | 118 | 118 | 118 |
| A1 | 55 | 90 | 125 | 160 |
| B1 | 70 | 105 | 140 | 175 |
| C1 | 85 | 120 | 155 | 190 |

Front operated switch fuses, IEC

Dimensional drawings

OS200_P and OS250_P

Mechanism at the end of the switch fuse



| OS200 | | | | | | | | |
|-------|-------|-------|-------|-------|-------|-------|-------|-------|
| [mm] | D01 | B01 | D02 | B02 | D03 | B03 | D04 | B04 |
| A | 89,5 | 89,5 | 133 | 133 | 176,5 | 176,5 | 220 | 220 |
| B | 149 | 130 | 149 | 130 | 149 | 130 | 149 | 130 |
| C | 198,5 | 198,5 | 198,5 | 198,5 | 198,5 | 198,5 | 198,5 | 198,5 |
| D | 36,5 | 36,5 | 36,5 | 36,5 | 36,5 | 36,5 | 36,5 | 36,5 |
| E | 144,5 | 144,5 | 144,5 | 144,5 | 144,5 | 144,5 | 144,5 | 144,5 |
| F | 48,5 | 48,5 | 48,5 | 48,5 | 48,5 | 48,5 | 48,5 | 48,5 |
| G | - | - | 43,5 | 43,5 | 43,5 | 43,5 | 43,5 | 43,5 |
| H | 20 | 20 | 20 | 20 | 20 | 20 | 20 | 20 |
| I | 40 | 40 | 40 | 40 | 40 | 40 | 40 | 40 |
| J | 10 | 10 | 10 | 10 | 10 | 10 | 10 | 10 |
| K | 8,4 | 8,4 | 8,4 | 8,4 | 8,4 | 8,4 | 8,4 | 8,4 |
| L | 8,6 | 8,6 | 8,6 | 8,6 | 8,6 | 8,6 | 8,6 | 8,6 |
| M | 164,5 | 164,5 | 164,5 | 164,5 | 164,5 | 164,5 | 164,5 | 164,5 |
| A1 | 60,5 | 60,5 | 104 | 104 | 147,5 | 147,5 | 191 | 191 |
| B1 | 79,5 | 79,5 | 123 | 123 | 166,5 | 166,5 | 210 | 210 |
| C1 | 96,5 | 96,5 | 140 | 140 | 183,5 | 183,5 | 227 | 227 |

M00008/OS200 250 01 04 H

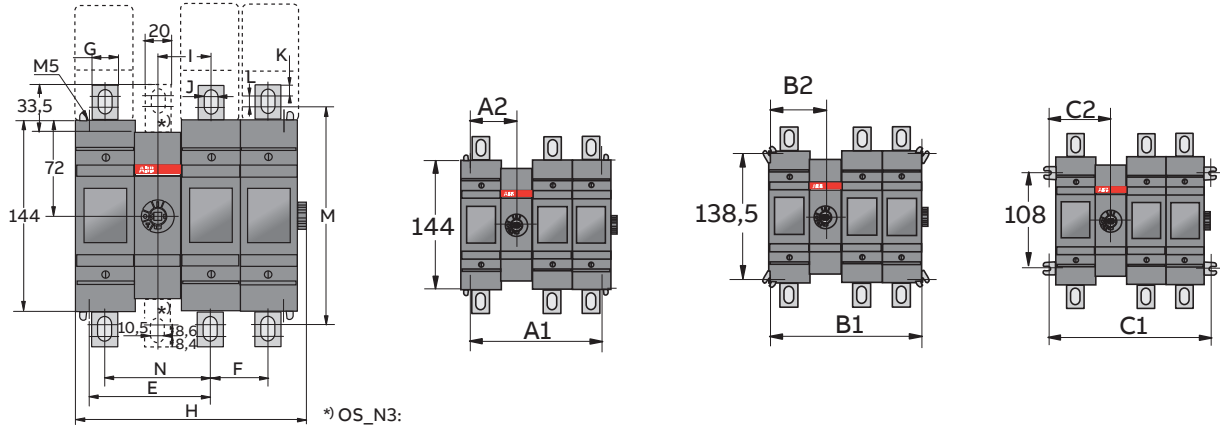
| OS250 | | | | |
|-------|-------------|-------------|-------------|-------------|
| [mm] | D01/ B01 | D02/ B02 | D03/ B03 | D04/ B04 |
| A | 99,5 | 153,5 | 207,5 | 261,5 |
| B | 154 | 154 | 154 | 154 |
| C | 193 | 193 | 193 | 193 |
| D | 33,5 | 33,5 | 33,5 | 33,5 |
| E | 148,5 | 148,5 | 148,5 | 148,5 |
| F | 53,5 | 53,5 | 53,5 | 53,5 |
| G | - | 54 | 54 | 54 |
| H | 25 | 25 | 25 | 25 |
| I | 45 | 45 | 45 | 45 |
| J | 11 | 11 | 11 | 11 |
| K | 11,5 | 11,5 | 11,5 | 11,5 |
| L | 4 | 4 | 4 | 4 |
| M | 162 | 162 | 162 | 162 |
| A1 | 70,5 | 124,5 | 178,5 | 232,5 |
| B1 | 89,5 | 143,5 | 197,5 | 251,5 |
| C1 | 106,5 | 160,5 | 214,5 | 268,5 |

Front operated switch fuses, IEC

Dimensional drawings

OS200_P and OS250_P

Mechanism between the poles



| OS200 | | | | | | | | |
|-------|-------|-------|-------|-------|-------|-------|-------|-------|
| [mm] | D11 | B11 | D12 | B12 | D13 | B13 | D22 | B22 |
| A | 149 | 130 | 149 | 130 | 149 | 130 | 149 | 130 |
| B | 199 | 199 | 199 | 199 | 199 | 199 | 199 | 199 |
| C | 36,5 | 36,5 | 36,5 | 36,5 | 36,5 | 36,5 | 36,5 | 36,5 |
| D | 144,5 | 144,5 | 144,5 | 144,5 | 144,5 | 144,5 | 144,5 | 144,5 |
| E | 92 | 92 | 92 | 92 | 92 | 92 | 135,5 | 135,5 |
| F | 43,5 | 43,5 | 43,5 | 43,5 | 43,5 | 43,5 | 43,5 | 43,5 |
| G | 20 | 20 | 20 | 20 | 20 | 20 | 20 | 20 |
| H | 132 | 132 | 175,5 | 175,5 | 219 | 219 | 219 | 219 |
| I | 40 | 40 | 40 | 40 | 40 | 40 | 40 | 40 |
| J | 10 | 10 | 10 | 10 | 10 | 10 | 10 | 10 |
| K | 8,4 | 8,4 | 8,4 | 8,4 | 8,4 | 8,4 | 8,4 | 8,4 |
| L | 8,6 | 8,6 | 8,6 | 8,6 | 8,6 | 8,6 | 8,6 | 8,6 |
| M | 165 | 165 | 165 | 165 | 165 | 165 | 165 | 165 |
| N | 80 | 80 | 80 | 80 | 80 | 80 | 80 | 80 |
| A1 | 104 | 104 | 147,5 | 147,5 | 191 | 191 | 191 | 191 |
| A2 | 52 | 52 | 52 | 52 | 52 | 5 | 95,5 | 95,5 |
| B1 | 123 | 123 | 166,5 | 166,5 | 210 | 210 | 210 | 210 |
| B2 | 61,5 | 61,5 | 61,5 | 61,5 | 61,5 | 61,5 | 105 | 105 |
| C1 | 140 | 140 | 183,5 | 183,5 | 227 | 227 | 227 | 227 |
| C2 | 70 | 70 | 70 | 70 | 70 | 70 | 113,5 | 113,5 |

| OS250 | | | | |
|-------|-------|-------|-------|-------|
| [mm] | D11 | D12 | D13 | D22 |
| A | 154 | 154 | 154 | 154 |
| B | 193 | 193 | 193 | 193 |
| C | 33,5 | 33,5 | 33,5 | 33,5 |
| D | 148,5 | 148,5 | 148,5 | 148,5 |
| E | 112,5 | 112,5 | 112,5 | 112,5 |
| F | 54 | 54 | 54 | 54 |
| 25 | 25 | 25 | 25 | 25 |
| H | 152 | 152 | 152 | 152 |
| I | 45 | 45 | 45 | 45 |
| J | 11 | 11 | 11 | 11 |
| K | 11,5 | 11,5 | 11,5 | 11,5 |
| L | 4 | 4 | 4 | 4 |
| M | 162 | 162 | 162 | 162 |
| N | 90 | 90 | 90 | 90 |
| A1 | 124 | 178 | 232 | 232 |
| A2 | 62 | 62 | 62 | 116 |
| B1 | 143 | 197 | 251 | 251 |
| B2 | 71,5 | 71,5 | 71,5 | 125,5 |
| C1 | 160 | 214 | 268 | 268 |
| C2 | 80 | 80 | 80 | 134 |

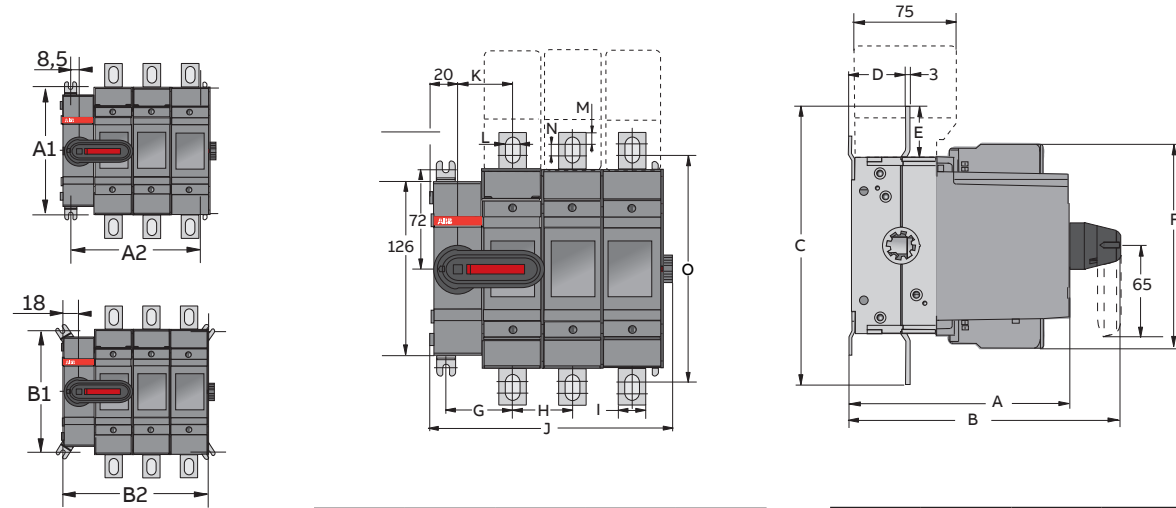
M00014/OS200_250_11_22 K

Front operated switch fuses, IEC

Dimensional drawings

OS200_K and OS250_K

Direct mounted handle



| OS200K | | | | |
|--------|-------------|-------------|-------------|-------------|
| [mm] | D01/ B01 | D02/ B02 | D03/ B03 | D04/ B04 |
| A1 | 144 | 144 | 144 | 144 |
| A2 | 60,5 | 104 | 147,5 | 191 |
| B1 | 138,5 | 138,5 | 138,5 | 138,5 |
| B2 | 79,5 | 123 | 166,5 | 210 |
| C1 | 108 | 108 | 108 | 108 |
| C2 | 96,5 | 140 | 183,5 | 227 |

| OS250K | | | | |
|--------|-------|-------|-------|-------|
| [mm] | D01 | D02 | D03 | D04 |
| A1 | 144 | 144 | 144 | 144 |
| A2 | 70,5 | 124,5 | 178,5 | 232,5 |
| B1 | 138,5 | 138,5 | 138,5 | 138,5 |
| B2 | 89,5 | 143,5 | 197,5 | 251,5 |
| C1 | 108 | 108 | 108 | 108 |
| C2 | 106,5 | 106,5 | 214,5 | 268,5 |

| OS200_K | | | | | | | | |
|---------|-------|-------|-------|-------|-------|-------|-------|-------|
| [mm] | D01 | B01 | D02 | B02 | D03 | B03 | D04 | B04 |
| A | 154 | 130 | 154 | 130 | 154 | 130 | 154 | 130 |
| B | 191 | 167 | 191 | 167 | 191 | 167 | 191 | 167 |
| C | 198,5 | 198,5 | 198,5 | 198,5 | 198,5 | 198,5 | 198,5 | 198,5 |
| D | 40,5 | 40,5 | 40,5 | 40,5 | 40,5 | 40,5 | 40,5 | 40,5 |
| E | 36,5 | 36,5 | 36,5 | 36,5 | 36,5 | 36,5 | 36,5 | 36,5 |
| F | 144,5 | 144,5 | 144,5 | 144,5 | 144,5 | 144,5 | 144,5 | 144,5 |
| G | 48,5 | 48,5 | 48,5 | 48,5 | 48,5 | 48,5 | 48,5 | 48,5 |
| H | - | - | 43,5 | 43,5 | 43,5 | 43,5 | 43,5 | 43,5 |
| I | 20 | 20 | 20 | 20 | 20 | 20 | 20 | 20 |
| J | 89,5 | 89,5 | 133 | 133 | 176,5 | 176,5 | 220 | 220 |
| K | 40 | 40 | 40 | 40 | 40 | 40 | 40 | 40 |
| L | 10 | 10 | 10 | 10 | 10 | 10 | 10 | 10 |
| M | 8,5 | 8,5 | 8,5 | 8,5 | 8,5 | 8,5 | 8,5 | 8,5 |
| N | 8,5 | 8,5 | 8,5 | 8,5 | 8,5 | 8,5 | 8,5 | 8,5 |
| O | 164,5 | 164,5 | 164,5 | 164,5 | 164,5 | 164,5 | 164,5 | 164,5 |

| OS250_K | | | | |
|---------|-------------|-------------|-------------|-------------|
| [mm] | D01/ B01 | D02/ B02 | D03/ B03 | D04/ B04 |
| A | 154 | 154 | 154 | 154 |
| B | 191 | 191 | 191 | 191 |
| C | 193 | 193 | 193 | 193 |
| D | 40,5 | 40,5 | 40,5 | 40,5 |
| E | 33,5 | 33,5 | 33,5 | 33,5 |
| F | 148,5 | 148,5 | 148,5 | 148,5 |
| G | 53,5 | 53,5 | 53,5 | 53,5 |
| H | - | 54 | 54 | 54 |
| I | 25 | 25 | 25 | 25 |
| J | 99,5 | 153,5 | 207,5 | 261,5 |
| K | 45 | 45 | 45 | 45 |
| L | 11 | 11 | 11 | 11 |
| M | 11,5 | 11,5 | 11,5 | 11,5 |
| N | 4 | 4 | 4 | 4 |
| O | 162 | 162 | 162 | 162 |

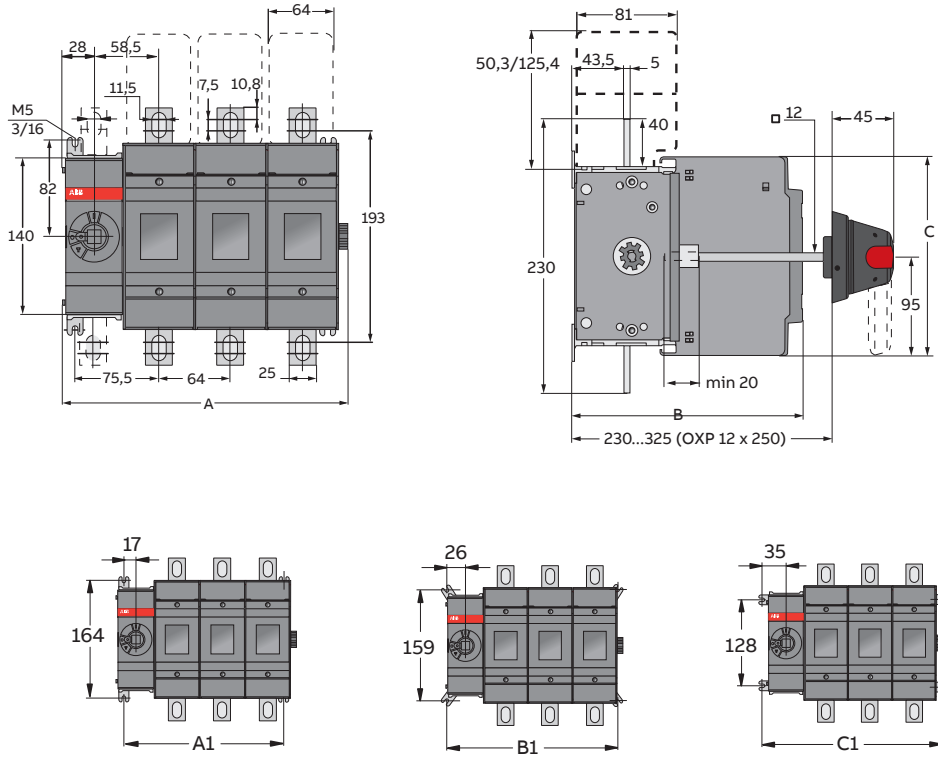
M00080/OS 200_250_01_04K C

Front operated switch fuses, IEC

Dimensional drawings

OS315_P and OS400_P

Mechanism at the end of the switch fuse



| OS315 | | | | |
|-------|-----|-----|-----|-----|
| [mm] | B01 | B02 | B03 | B04 |
| A | 127 | 191 | 255 | 319 |
| B | 176 | 176 | 176 | 176 |
| C | 194 | 194 | 194 | 194 |

| OS315 | | | | |
|-------|-------|-------|-------|-------|
| [mm] | B01 | B02 | B03 | B04 |
| A1 | 98,5 | 162,5 | 226,5 | 290,5 |
| B1 | 116,5 | 180,5 | 244,5 | 308,5 |
| C1 | 134,5 | 198,5 | 262,5 | 326,5 |

C000014 /OS315_400_001_04 A

| OS400 | | | | | | | | |
|-------|-----|-----|-----|-----|-----|-----|-----|-----|
| [mm] | B01 | B02 | B03 | B04 | D01 | D02 | D03 | D04 |
| A | 127 | 191 | 255 | 319 | 127 | 191 | 255 | 319 |
| B | 176 | 176 | 176 | 176 | 193 | 193 | 193 | 193 |
| C | 194 | 194 | 194 | 194 | 166 | 166 | 166 | 166 |

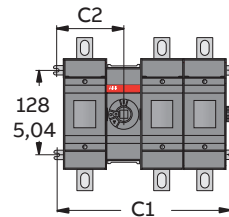
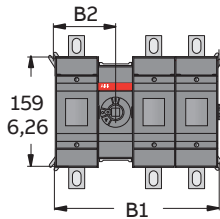
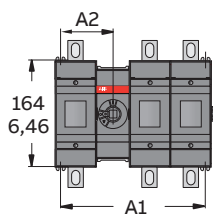
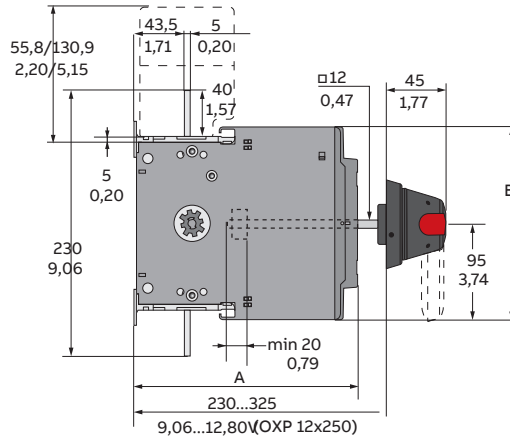
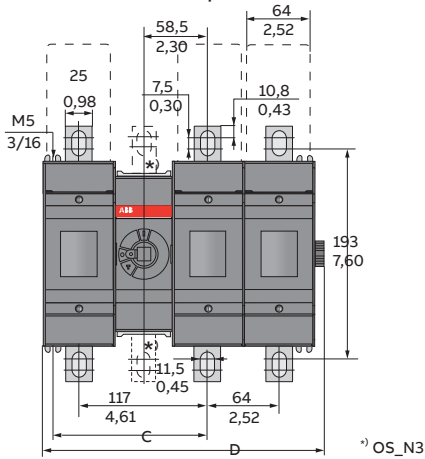
| OS400 | | | | |
|-------|-------------|-------------|-------------|-------------|
| [mm] | B01/ D01 | B02/ D02 | B03/ D03 | B04/ D04 |
| A1 | 98,5 | 162,5 | 226,5 | 290,5 |
| B1 | 116,5 | 180,5 | 244,5 | 308,5 |
| C1 | 134,5 | 198,5 | 262,5 | 326,5 |

Front operated switch fuses, IEC

Dimensional drawings

OS315_P and OS400_P

Mechanism between the poles



| OS315-400 | | | | | |
|-----------|-----|-----|-----|-----|-----|
| [mm] | B11 | B12 | B13 | B21 | B22 |
| A | 176 | 176 | 176 | 176 | 176 |
| B | 194 | 194 | 194 | 194 | 194 |
| C | 140 | 140 | 140 | 204 | 204 |
| D | 190 | 254 | 318 | 254 | 318 |

| OS400 | | | | | |
|-------|-----|-----|-----|-----|-----|
| [mm] | D11 | D12 | D13 | D21 | D22 |
| A | 193 | 193 | 193 | 193 | 193 |
| B | 166 | 166 | 166 | 166 | 166 |
| C | 140 | 140 | 140 | 204 | 204 |
| D | 190 | 254 | 318 | 254 | 318 |

| OS315 | | | | | |
|-------|------|------|-------|-------|------|
| [mm] | B11 | B12 | B21 | B22 | B13 |
| A1 | 163 | 227 | 227 | 291 | 291 |
| A2 | 81,5 | 81,5 | 145,5 | 145,5 | 81,5 |
| B1 | 181 | 245 | 245 | 309 | 309 |
| B2 | 90,5 | 90,5 | 154,5 | 154,5 | 90,5 |
| C1 | 199 | 263 | 263 | 327 | 327 |
| C2 | 99,5 | 99,5 | 163,5 | 163,5 | 99,5 |

| OS400 | | | | | |
|-------|-------------|-------------|-------------|-------------|-------------|
| [mm] | B11/ D11 | B12/ D12 | B13/ D21 | B22/ D22 | B13/ D13 |
| A1 | 163 | 227 | 227 | 291 | 291 |
| A2 | 81,5 | 81,5 | 145,5 | 145,5 | 81,5 |
| B1 | 181 | 245 | 245 | 309 | 309 |
| B2 | 90,5 | 90,5 | 154,5 | 154,5 | 90,5 |
| C1 | 199 | 263 | 263 | 327 | 327 |
| C2 | 99,5 | 99,5 | 163,5 | 163,5 | 99,5 |

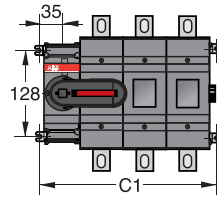
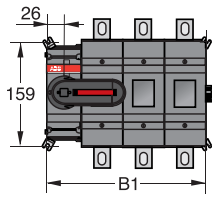
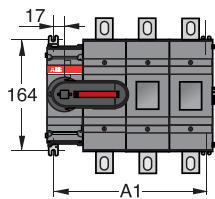
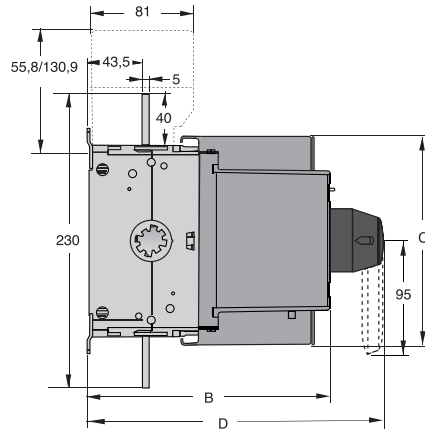
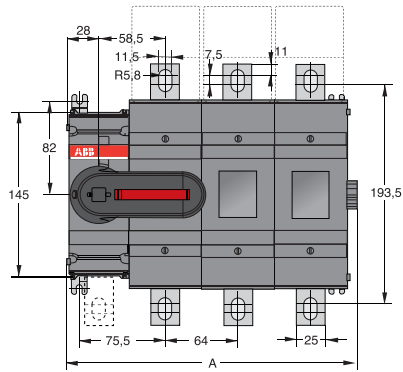
C000011/OS315-400_11_22 B

Front operated switch fuses, IEC

Dimensional drawings

OS315_K and OS400_K

Direct mounted handle



| OS315,OS400 | | | | |
|-------------|-------|-------|-------|-------|
| [mm] | B01K | B02K | B03K | B04K |
| A | 127 | 191 | 255 | 319 |
| B | 176 | 176 | 176 | 176 |
| C | 194 | 194 | 194 | 194 |
| D | 219 | 219 | 219 | 219 |
| A1 | 98,5 | 162,5 | 226,5 | 290,5 |
| B1 | 116,5 | 180,5 | 244,5 | 308,5 |
| C1 | 134,5 | 198,5 | 262,5 | 326,5 |

| OS400 | | | | |
|-------|-------|-------|-------|-------|
| [mm] | D01K | D02K | D03K | D04K |
| A | 127 | 191 | 255 | 319 |
| B | 193 | 193 | 193 | 193 |
| C | 166 | 166 | 166 | 166 |
| D | 236 | 236 | 236 | 236 |
| A1 | 98,5 | 162,5 | 226,5 | 290,5 |
| B1 | 116,5 | 180,5 | 244,5 | 308,5 |
| C1 | 134,5 | 198,5 | 262,5 | 326,5 |

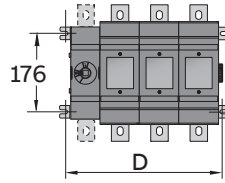
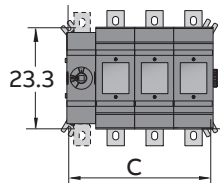
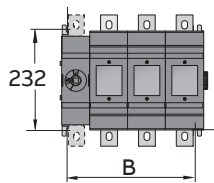
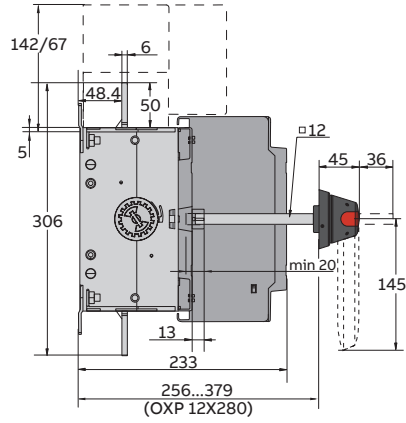
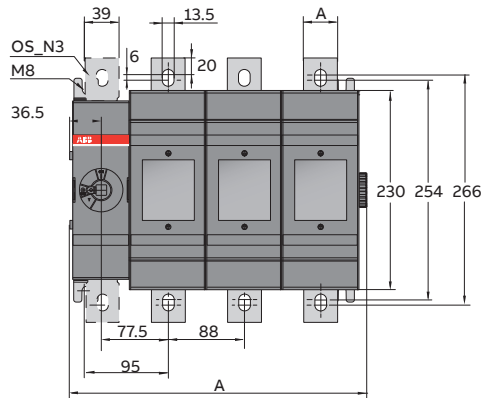
M00081/OS 315-400_01_04K B

Front operated switch fuses, IEC

Dimensional drawings

OS 630_P and OS 800_P

Mechanism at the end of the switch fuse



| OS630-800 | | | | |
|-----------|-------|-------|-------|-------|
| [mm] | D/B01 | D/B02 | D/B03 | D/B04 |
| A | 167 | 255 | 343 | 431 |
| B | 120 | 208 | 296 | 384 |
| C | 150 | 238 | 326 | 414 |
| D | 176 | 264 | 352 | 440 |

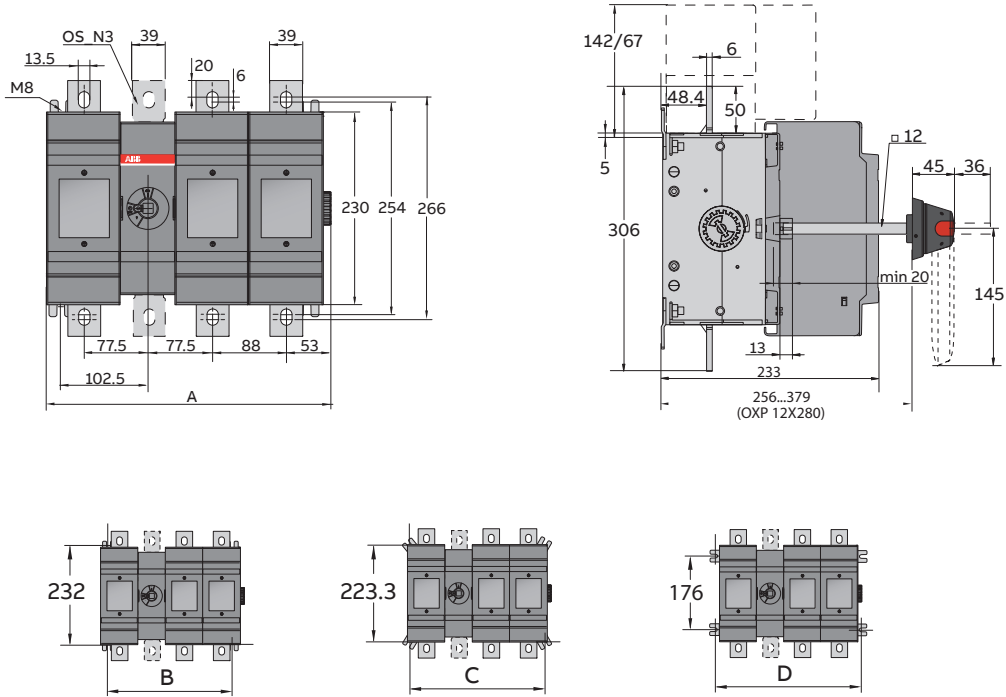
M00097/OS600-800_01-04 A / KE00041

Front operated switch fuses, IEC

Dimensional drawings

OS 630_P and OS 800_P

Mechanism between the poles



| OS630-800 | | | | |
|-----------|-------|-------|-------|-------|
| [mm] | D/B11 | D/B12 | D/B13 | D/B22 |
| A | 253 | 341 | 429 | 429 |
| B | 205 | 293 | 381 | 381 |
| C | 235 | 323 | 411 | 411 |
| D | 261 | 349 | 437 | 437 |

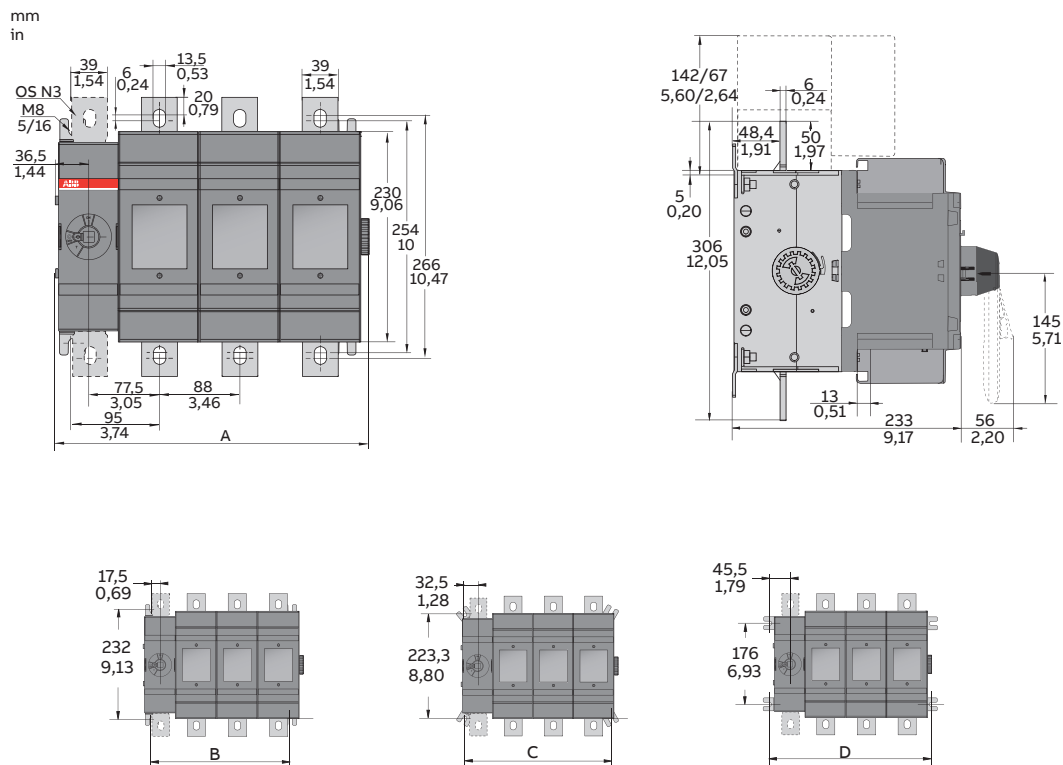
KE00042 / M00100/OS600-800_11-22 A

Front operated switch fuses, IEC

Dimensional drawings

OS630_K and OS800_K

Direct mounted handle



| OS630-800_ | | | | |
|------------|----------|-----------|-----------|-----------|
| [mm/in] | D/B01 | D/B02 | D/B03 | D/B04 |
| A | 167/6,57 | 255/10,04 | 343/13,50 | 431/16,97 |
| B | 120/4,72 | 208/8,19 | 296/11,65 | 384/15,12 |
| C | 150/5,91 | 238/9,37 | 326/12,83 | 414/16,30 |
| D | 176/6,93 | 264/10,39 | 352/13,86 | 440/17,32 |

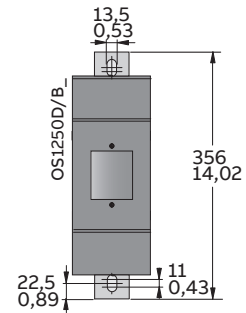
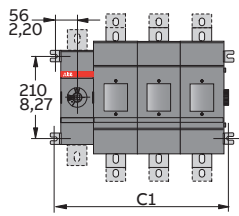
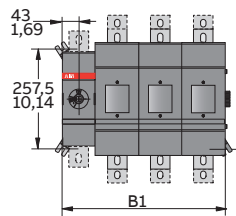
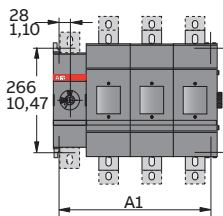
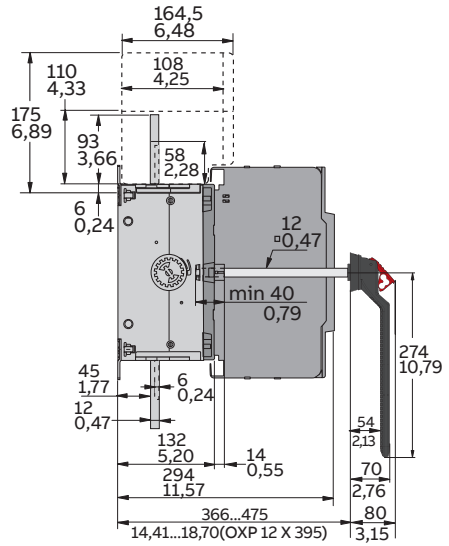
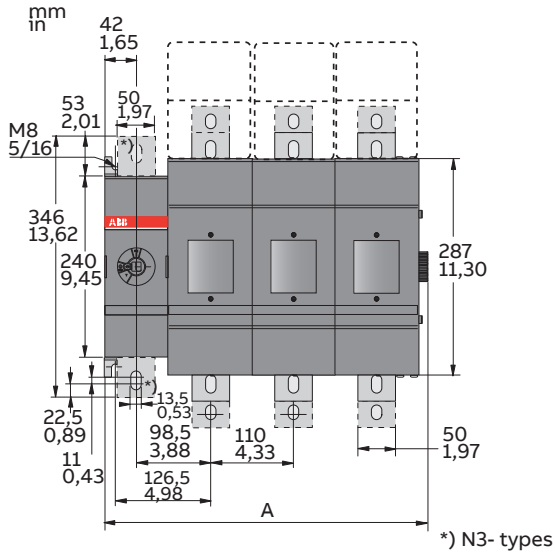
M00229/OS600-800_01-04K A

Front operated switch fuses, IEC

Dimensional drawings

OS1200...1250_P

Mechanism at the end of the switch fuse



| OS1200/1250 | | | | |
|-------------|-------|-------|-------|-------|
| [mm] | D/B01 | D/B02 | D/B03 | D/B04 |
| A | 209 | 319 | 429 | 539 |
| A1 | 166 | 276 | 386 | 496 |
| B1 | 196 | 306 | 416 | 526 |
| C1 | 222 | 332 | 442 | 552 |

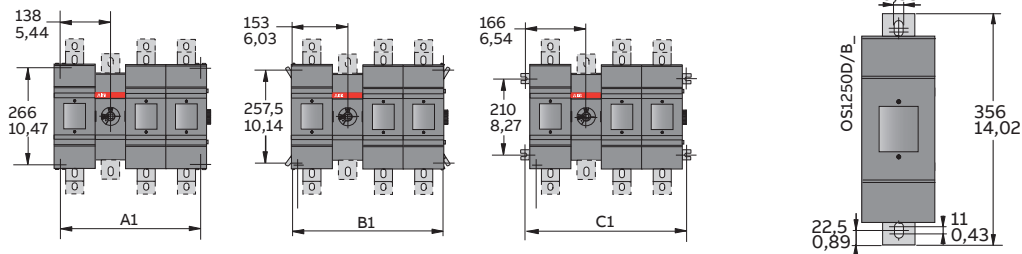
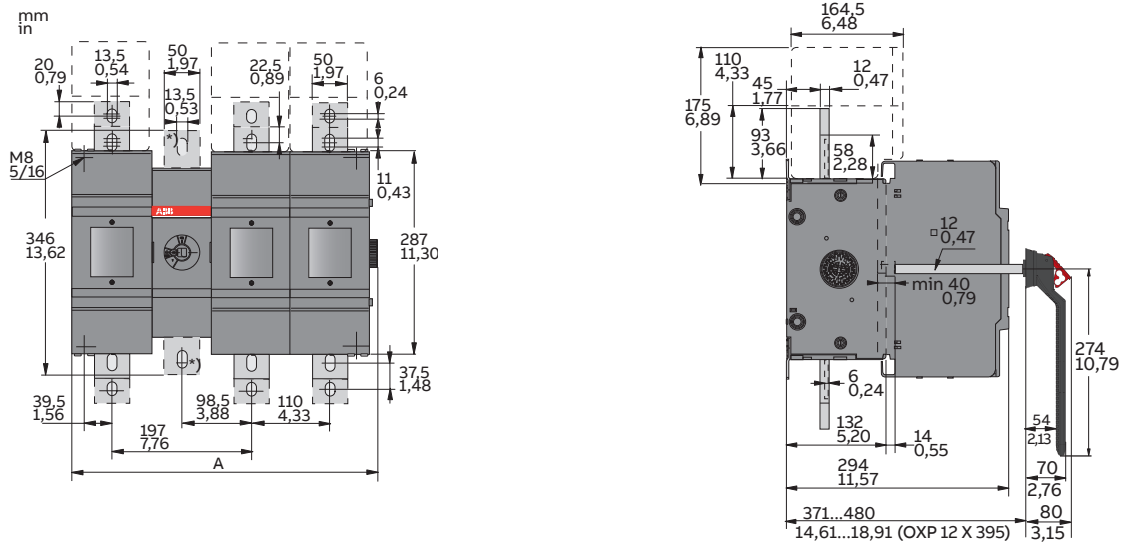
M00207/OS1200-1250_01-04 C

Front operated switch fuses, IEC

Dimensional drawings

OS1200...1250_P

Mechanism between the poles



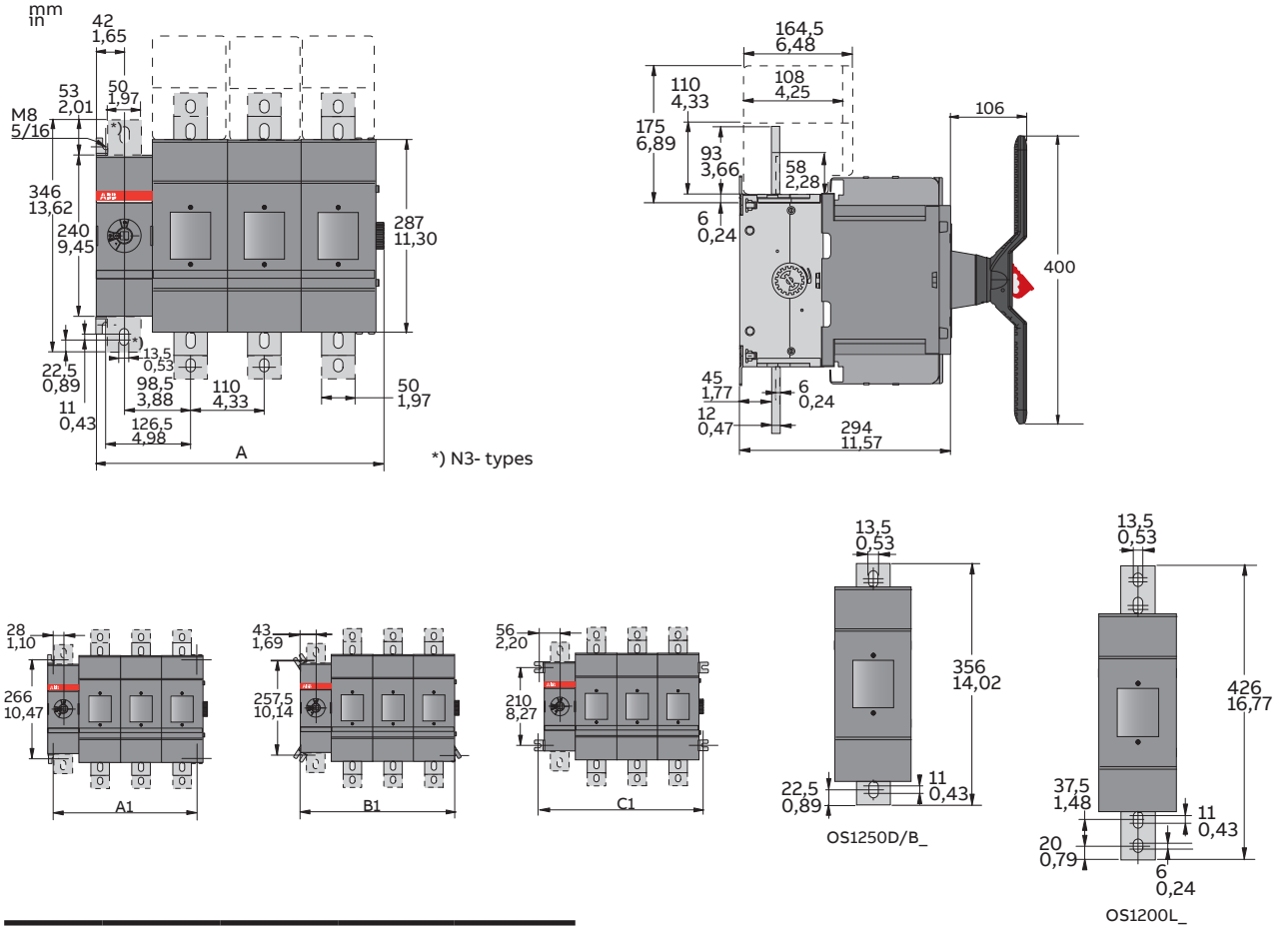
| OS1200/1250 | | | | |
|-------------|-------|-------|-------|-------|
| [mm] | D/B11 | D/B12 | D/B13 | D/B22 |
| A | 322 | 432 | 542 | 542 |
| A1 | 276 | 386 | 496 | 496 |
| B1 | 306 | 416 | 526 | 526 |
| C1 | 322 | 442 | 552 | 552 |

Front operated switch fuses, IEC

Dimensional drawings

OS1200_K and OS1250_K

Direct mounted handle



| OS1200/1250_ | | | | |
|--------------|----------|-----------|-----------|-----------|
| [mm/in] | L01 | L02 | L03 | L04 |
| A | 209/8,23 | 319/12,56 | 429/16,89 | 539/21,22 |
| A1 | 166/6,54 | 276/10,87 | 386/15,20 | 496/19,53 |
| B1 | 196/7,72 | 306/12,05 | 416/16,38 | 526/20,71 |
| C1 | 222/8,74 | 332/13,07 | 442/17,40 | 552/21,73 |

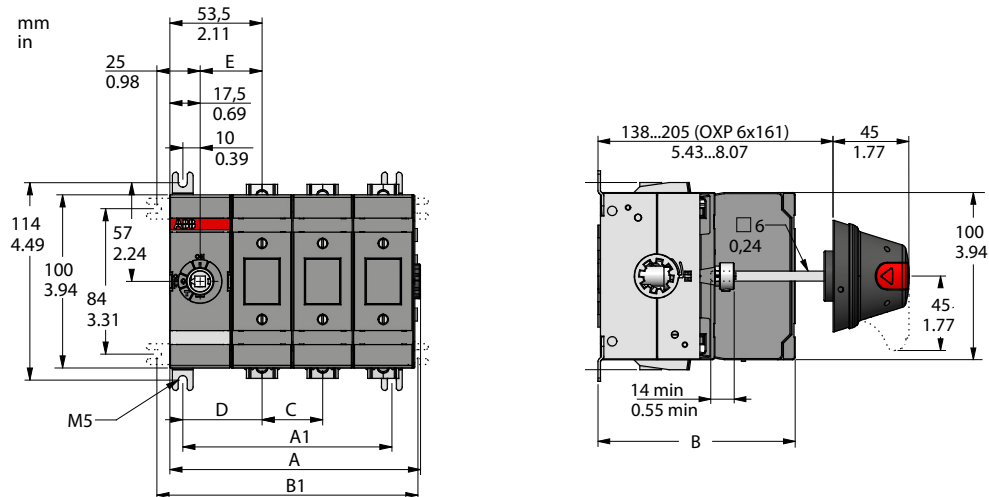
M00231/OS1200-1250_01-04K A

Front operated switch fuses, UL/CSA

Dimensional drawings

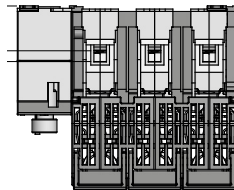
OS60GJ_

Mechanism at the end of the switch fuse



| OS60_G | | | | |
|---------|----------|----------|----------|----------|
| [mm/in] | J01 | J02 | J03 | J04 |
| A | 75/2,95 | 110/4,33 | 145/5,71 | 180/7,09 |
| B | 118/4,65 | 118/4,65 | 118/4,65 | 118/4,65 |
| C | 196 | 35/1,38 | 35/1,38 | 35/1,38 |
| D | 46/1,81 | 46/1,81 | 46/1,81 | 46/1,81 |
| E | 36/1,42 | 36/1,42 | 36/1,42 | 36/1,42 |
| A1 | 51/2,01 | 86/3,39 | 121/4,77 | 156/6,14 |
| B1 | 81/3,19 | 116/4,57 | 151/5,95 | 186/7,33 |

M00529/ OS60GJ01-04 A

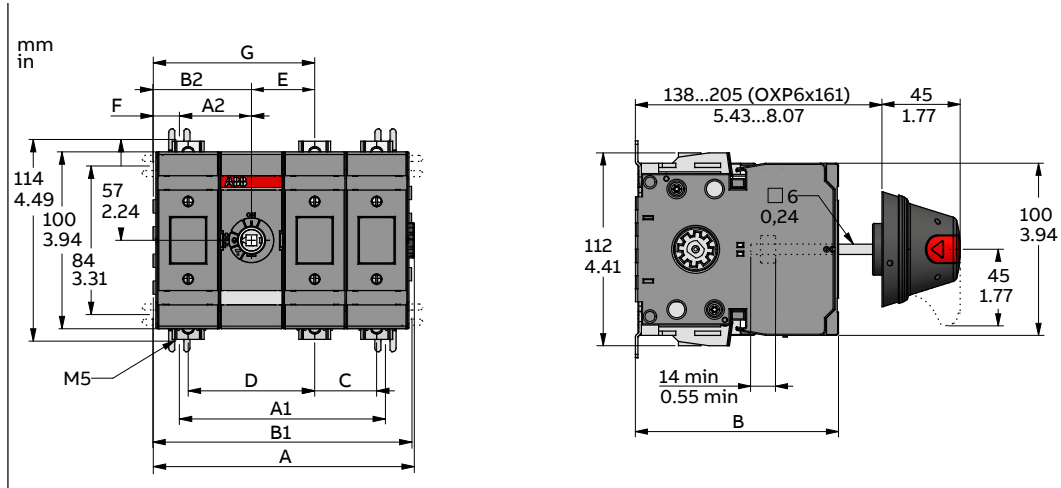


Front operated switch fuses, UL/CSA

Dimensional drawings

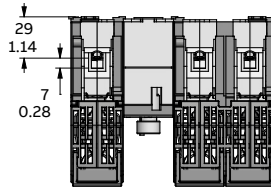
OS60GJ_

Mechanism between the poles



| OS60G_ | | | | |
|---------|------------|------------|------------|------------|
| [mm/in] | J11 | J12 | J13 | J22 |
| A | 112,5/4,43 | 147,5/5,81 | 182,5/7,19 | 182,6/7,19 |
| B | 118/4,65 | 118/4,65 | 118/4,65 | 118/4,65 |
| C | - | 35/1,38 | 35/1,38 | 35/1,38 |
| D | 71,5/2,82 | 71,5/2,82 | 71,5/2,82 | 71,5/2,82 |
| E | 36/1,42 | 36/1,42 | 36/1,42 | 36/1,42 |
| F | 55,5/2,19 | 55,5/2,19 | 55,5/2,19 | 90,5/3,56 |
| G | 91,5/3,60 | 91,5/3,60 | 91,5/3,60 | 91,5/3,60 |
| A1 | 81,5/3,21 | 116,5/4,59 | 151,5/5,97 | 151,5/5,97 |
| A2 | 41/1,61 | 41/1,61 | 41/1,61 | 76/2,99 |
| B1 | 111,5/4,39 | 146,5/5,77 | 181,5/7,15 | 181,5/7,15 |
| B2 | 56/2,20 | 56/2,20 | 56/2,20 | 91/3,58 |

M00528/ OS60GJ11-22 A

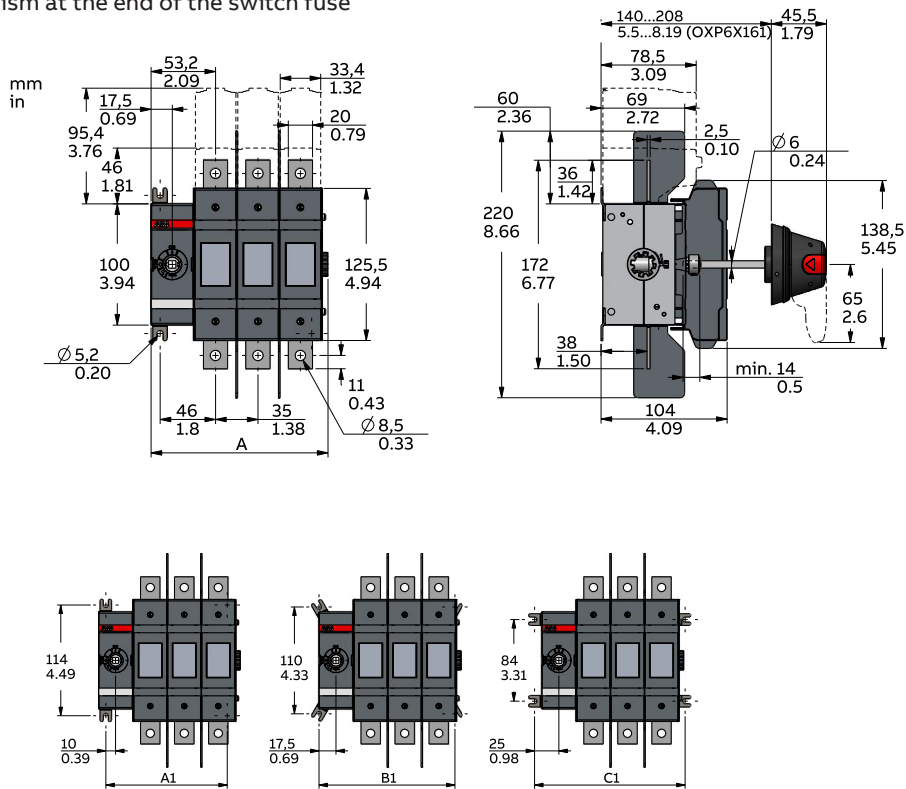


Front operated switch fuses, UL/CSA

Dimensional drawings

OS100GJ_

Mechanism at the end of the switch fuse



OS100G_

| mm/in | J02 | J03 | J04 |
|-------|----------|----------|----------|
| A | 111/4.37 | 146/5.75 | 181/7.13 |
| A1 | 90/3.54 | 125/4.92 | 160/6.30 |
| B1 | 105/4.13 | 140/5.51 | 175/6.89 |
| C1 | 120/4.72 | 155/6.10 | 190/7.48 |

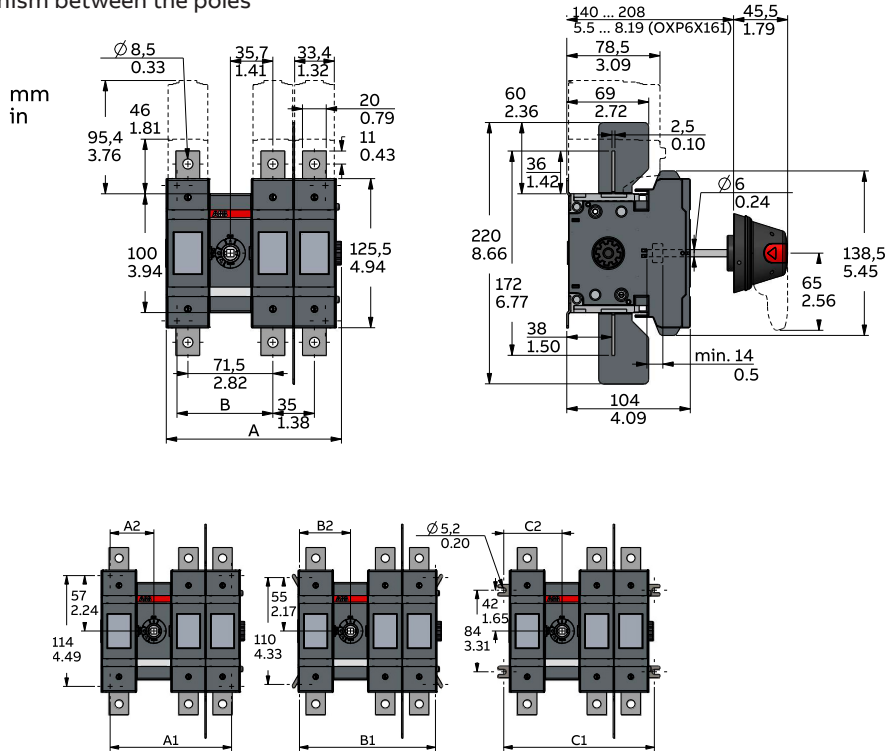
M00291/OS100GJ02-04 D

Front operated switch fuses, UL/CSA

Dimensional drawings

OS100GJ_

Mechanism between the poles



| OS100G_ | | | | | |
|---------|-----------|-----------|-----------|------------|------------|
| [mm/in] | J12 | J20 | J22F | J30 | J40F |
| A | 148/5.83 | 113/4.45 | 183/7.20 | 148/5.83 | 183/7.20 |
| B | 81/3.19 | - | 116/4.57 | - | - |
| A1 | 125/4.92 | 90/3.54 | 160/6.30 | 125/4.92 | 160/6.30 |
| A2 | 45/1.77 | 80/3.15 | 80/3.15 | 115/4.53 | 150/5.91 |
| B1 | 140/5.51 | 105/4.13 | 175/6.89 | 140/5.51 | 175/6.89 |
| B2 | 52,5/2.07 | 87,5/3.44 | 87,5/3.44 | 122,5/4.82 | 157,5/6.20 |
| C1 | 155/6.10 | 120/4.72 | 190/7.48 | 155/6.10 | 190/7.48 |
| C2 | 60/2.36 | 95/3.74 | 95/3.74 | 130/5.12 | 165/6.50 |

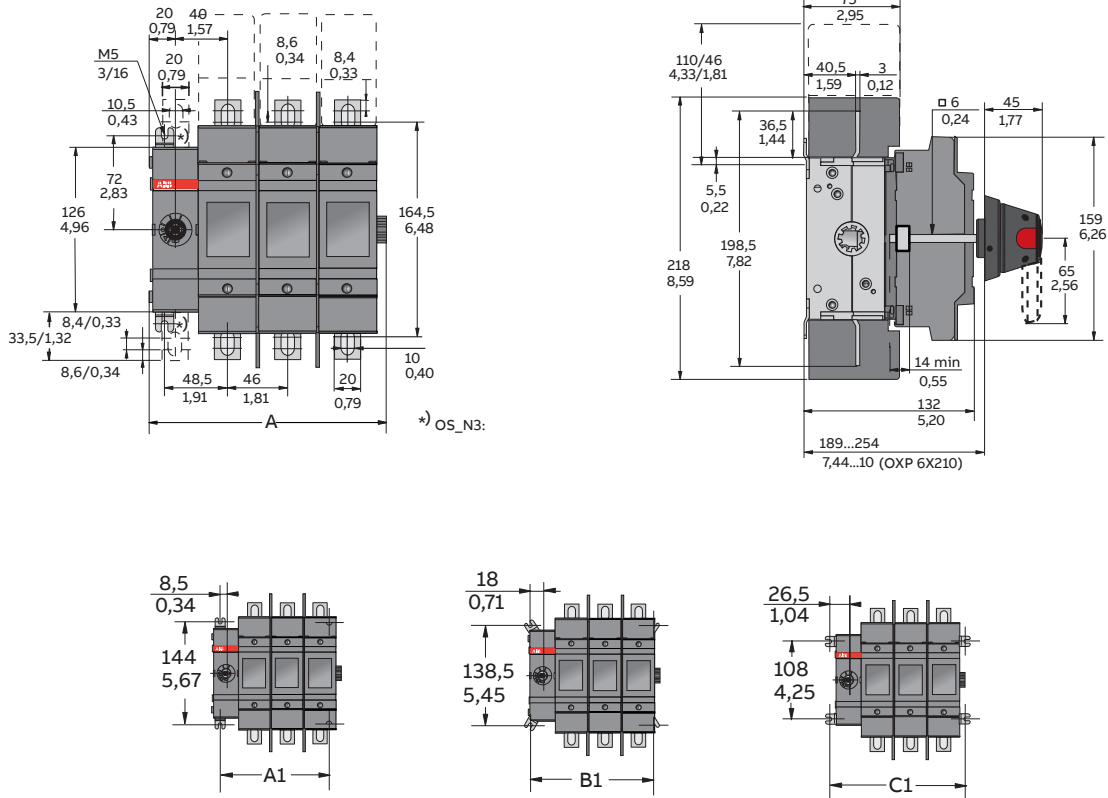
M00292/OS100GJ12-40F D

Front operated switch fuses, UL/CSA

Dimensional drawings

OS200J

Mechanism at the end of the switch fuse



| OS200 | | | | |
|---------|-----------|------------|------------|------------|
| [mm/in] | J01 | J02 | J03 | J04 |
| A | 89,5/3,52 | 135,5/5,34 | 181,5/7,15 | 227,5/8,96 |
| A1 | 60,5/2,38 | 106,5/4,19 | 152,5/6,00 | 198,5/7,82 |
| B1 | 79,5/3,13 | 125,5/4,94 | 171,5/6,75 | 217,5/8,56 |
| C1 | 96,5/3,80 | 142,5/5,61 | 188,5/7,42 | 234,5/9,23 |

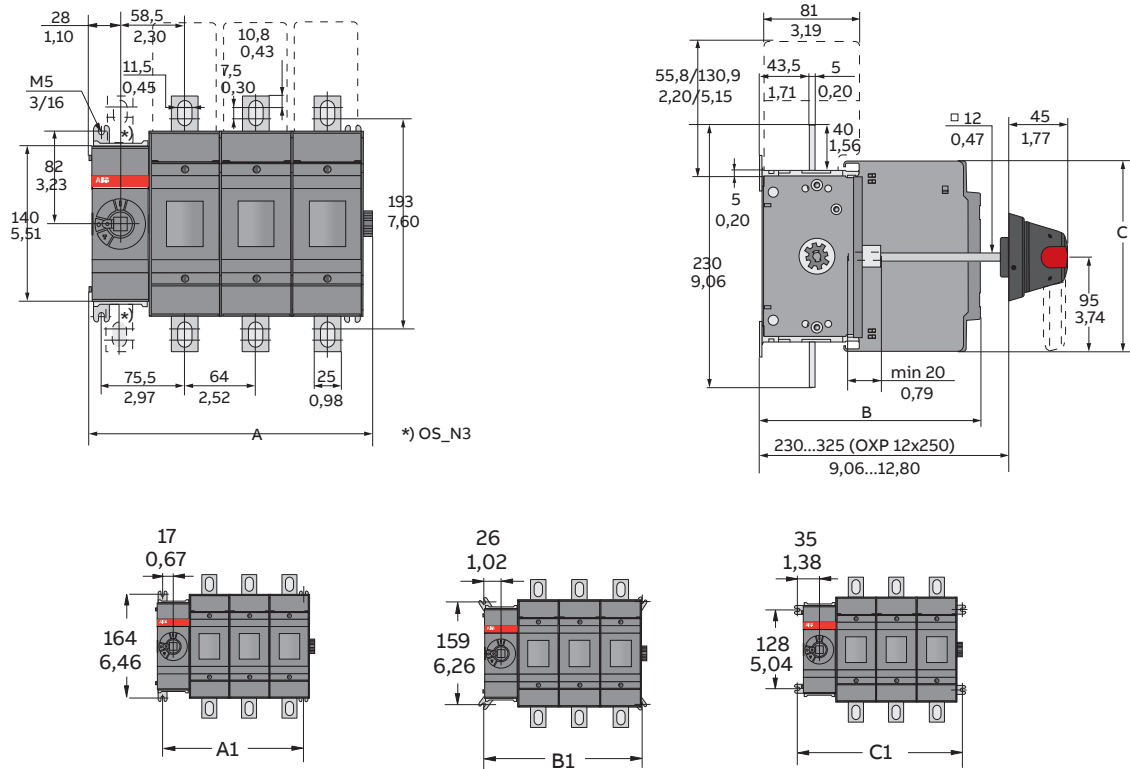
M00001/OS200J01-04 H

Front operated switch fuses, UL/CSA

Dimensional drawings

OS400J

Mechanism at the end of the switch fuse



| OS400 | | | | |
|---------|----------|----------|-----------|-----------|
| [mm/in] | J01 | J02 | J03 | J04 |
| A | 127/5,00 | 191/7,52 | 255/10,04 | 319/12,56 |
| B | 176/6,93 | 176/6,93 | 176/6,93 | 176/6,93 |
| C | 194/7,64 | 194/7,64 | 194/7,64 | 194/7,64 |

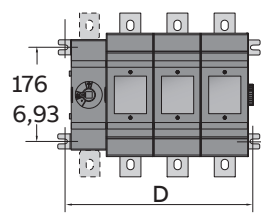
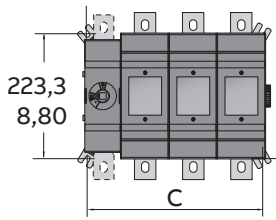
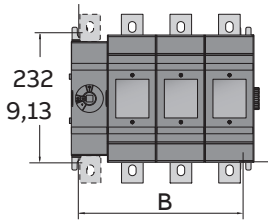
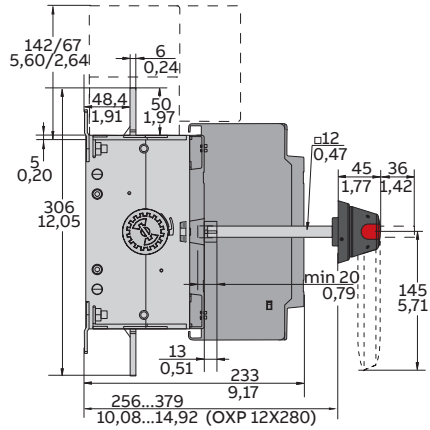
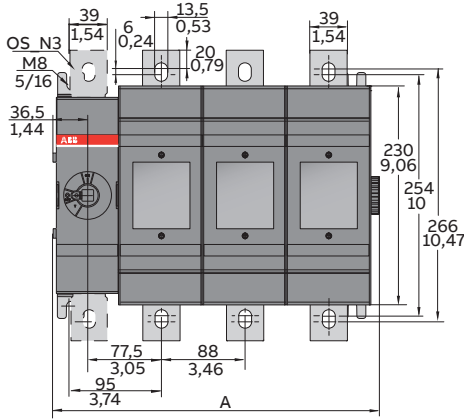
C000012 / OS315_400_01_04 B

Front operated switch fuses, UL/CSA

Dimensional drawings

OS600J and OS800L

Mechanism at the end of the switch fuse



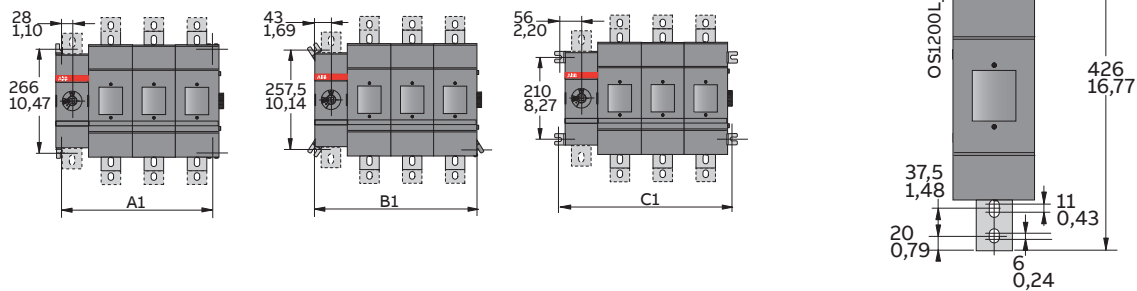
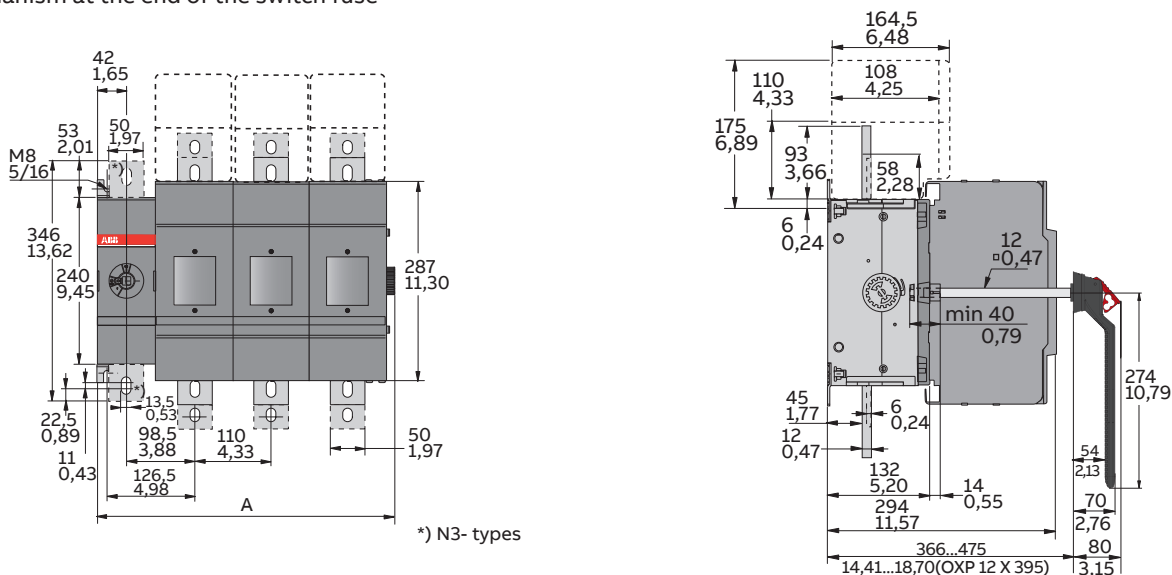
| OS600-800 | | | | |
|-----------|----------|-----------|-----------|-----------|
| [mm/in] | J/L01 | J/L02 | J/L03 | J/L04 |
| A | 167/6,57 | 255/10,04 | 343/13,50 | 431/16,97 |
| B | 120/4,72 | 208/8,19 | 296/11,65 | 384/15,12 |
| C | 150/5,91 | 238/9,37 | 326/12,83 | 414/16,30 |
| D | 176/6,93 | 264/10,39 | 352/13,86 | 440/17,32 |

Front operated switch fuses, UL/CSA

Dimensional drawings

OS1200L

Mechanism at the end of the switch fuse



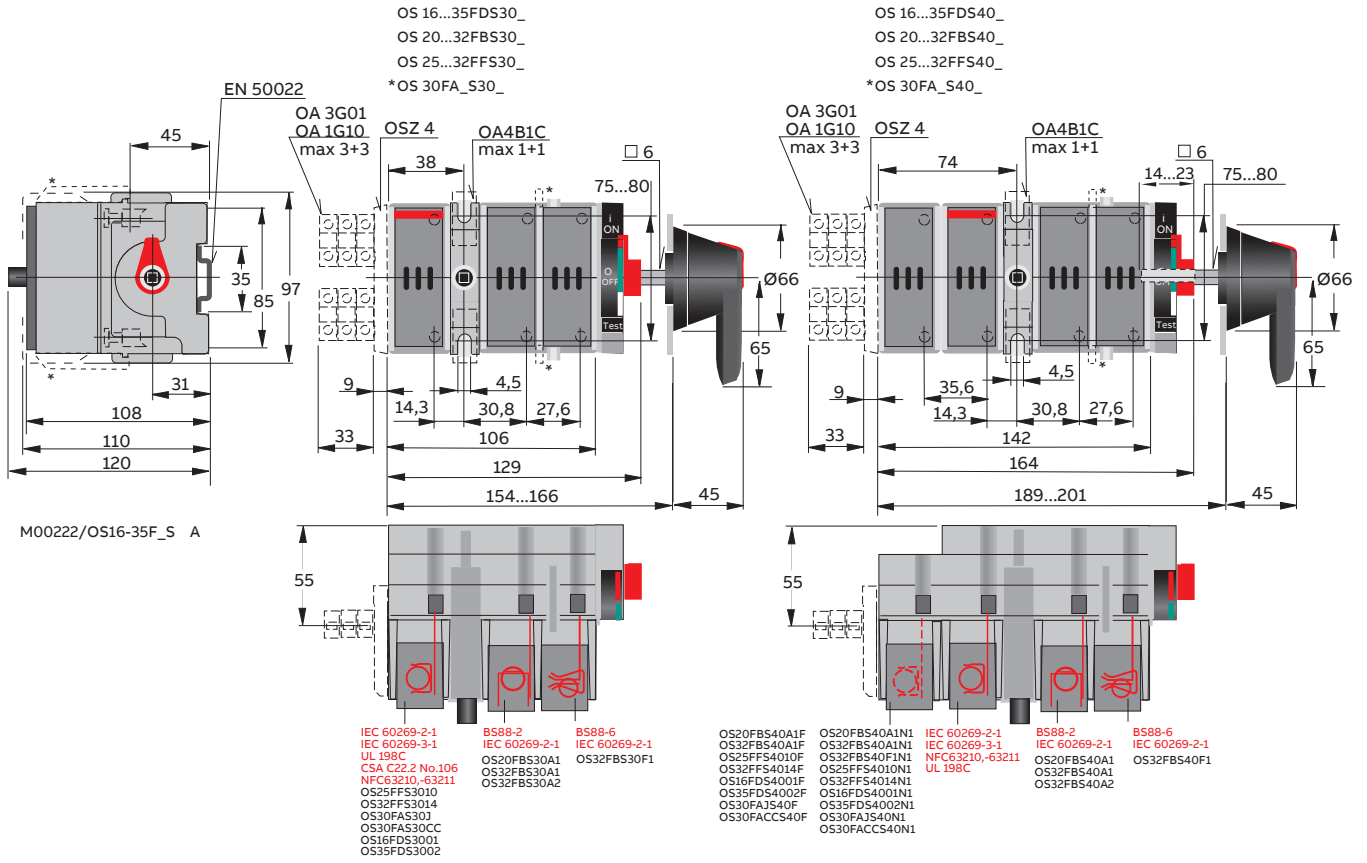
| OS1200/1250 | | | | |
|-------------|----------|-----------|-----------|-----------|
| [mm/in] | L01 | L02 | L03 | L04 |
| A | 209/8,23 | 319/12,56 | 429/16,89 | 539/21,22 |
| A1 | 166/6,54 | 276/10,87 | 386/15,20 | 496/19,53 |
| B1 | 196/7,72 | 306/12,05 | 416/16,38 | 526/20,71 |
| C1 | 222/8,74 | 332/13,07 | 442/17,40 | 552/21,73 |

M00207/OS1200-1250_01-04 C

Side operated switch fuses, IEC and UL/CSA

Dimensional drawings

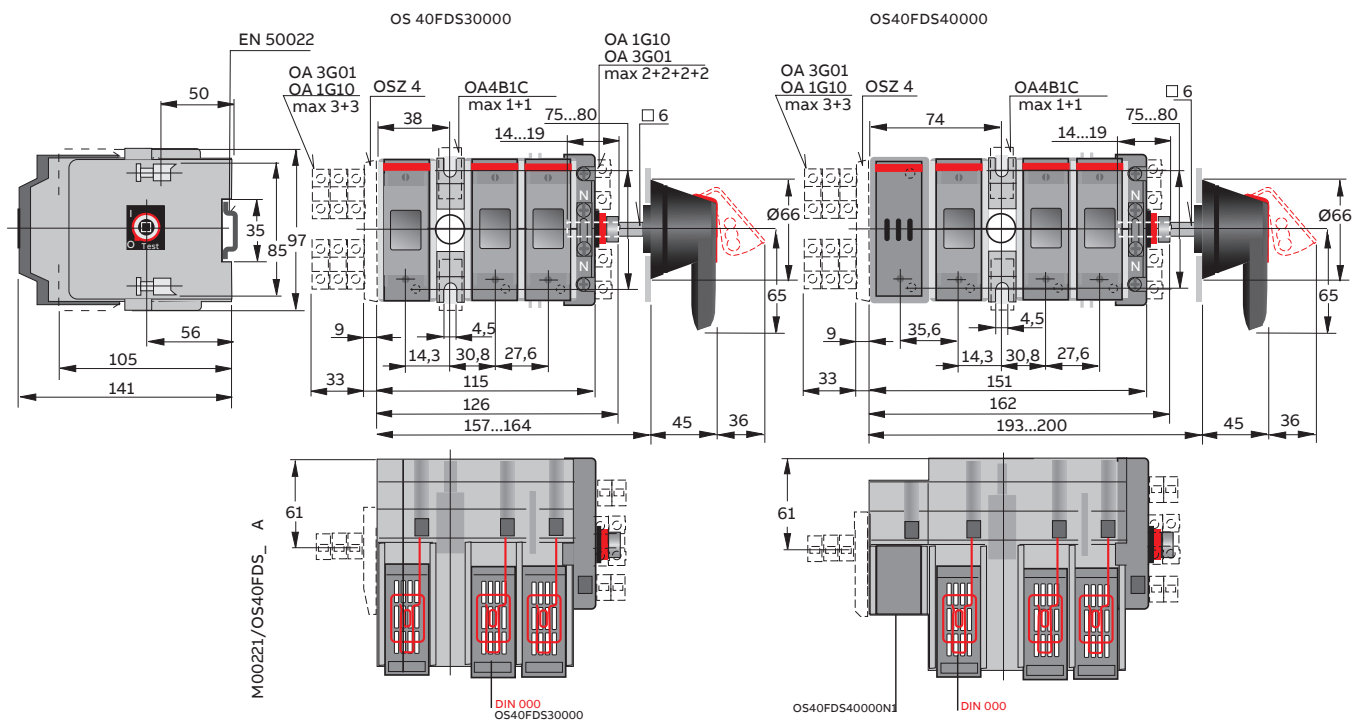
OS Mini



Side operated switch fuses, IEC and UL/CSA

Dimensional drawings

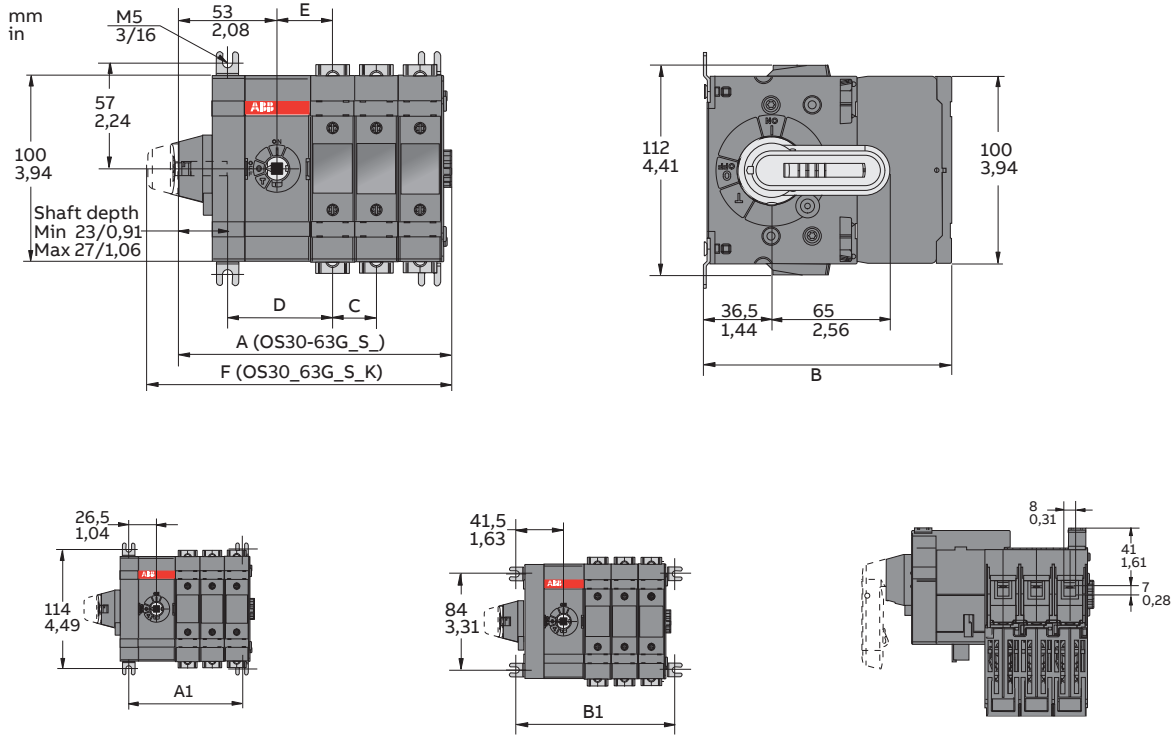
OS 40 Mini



Side operated switch fuses, IEC and UL/CSA

Dimensional drawings

OS32G...63G_S_



| OS32-63G | | | | | | | | |
|----------|-------|-------|-------|-------|--------|--------|--------|--------|
| [mm] | DS01 | DS02 | DS03 | DS04 | B/FS01 | B/FS02 | B/FS03 | B/FS04 |
| A | 99,5 | 123 | 146,5 | 170 | 99,5 | 123 | 146,5 | 170 |
| B | 132,5 | 132,5 | 132,5 | 132,5 | 120,5 | 120,5 | 120,5 | 120,5 |
| C | - | 23,5 | 23,5 | 23,5 | | 23,5 | 23,5 | 23,5 |
| D | 56,5 | 56,5 | 56,5 | 56,5 | 56,5 | 56,5 | 56,5 | 56,5 |
| E | 30 | 30 | 30 | 30 | 30 | 30 | 30 | 30 |
| F | 116,5 | 140 | 163,5 | 187 | 116,5 | 140 | 163,5 | 187 |
| A1 | 61,5 | 85 | 108,5 | 132 | 61,5 | 85 | 108,5 | 132 |
| B1 | 91,5 | 115 | 138,5 | 162,5 | 91,5 | 115 | 138,5 | 162,5 |

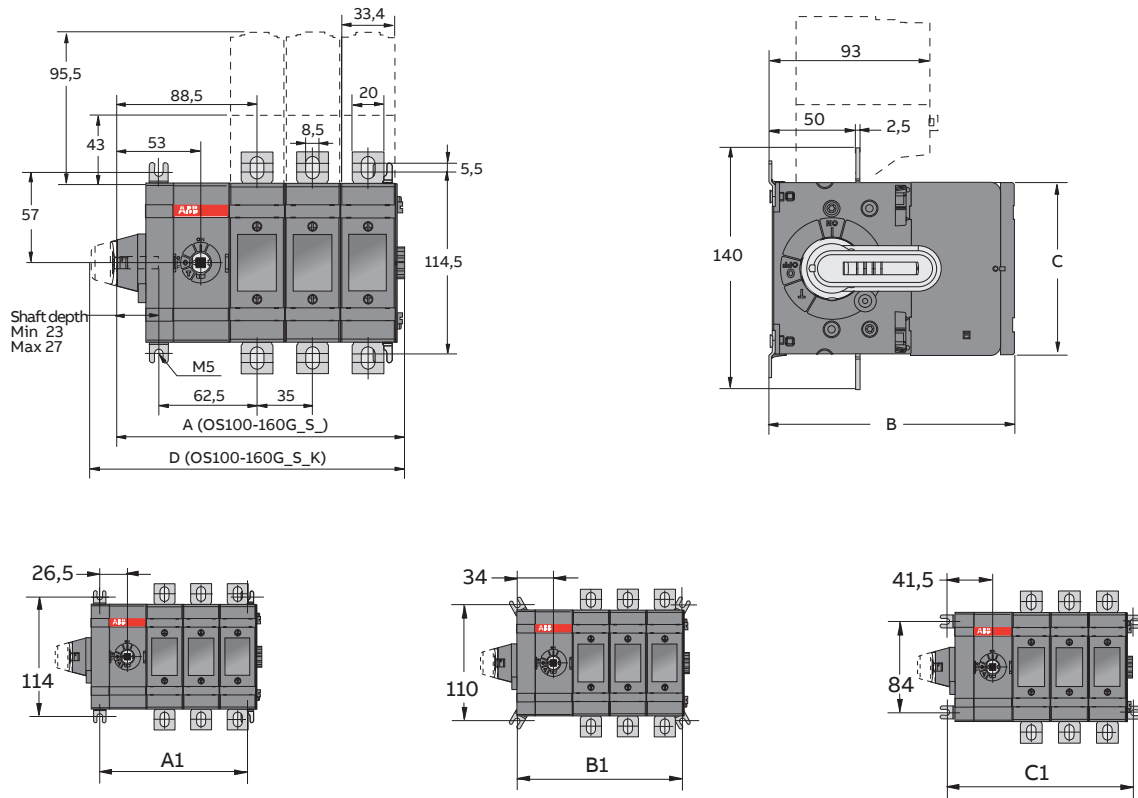
M0029/OS30_63G_01_04S A

| OS60G_ | | | | |
|---------|------------|------------|------------|------------|
| [mm/in] | JS01 | JS02 | JS03 | JS04 |
| A | 109,5/4,31 | 144,5/5,69 | 179,5/7,07 | 214,5/8,44 |
| B | 130/5,12 | 130/5,12 | 130/5,12 | 130/5,12 |
| C | - | 35/1,38 | 35/1,38 | 35/1,38 |
| D | 62/2,44 | 62/2,44 | 62/2,44 | 62/2,44 |
| E | 36/1,41 | 36/1,41 | 36/1,41 | 36/1,41 |
| F | 126,5/4,98 | 161,5/6,36 | 196,5/7,74 | 231,5/9,11 |
| A1 | 67,5/2,66 | 102,5/4,04 | 137,5/5,41 | 172,5/6,79 |
| B1 | 37,5/1,48 | 72,5/2,85 | 107,5/4,23 | 142,5/5,61 |

Side operated switch fuses, IEC and UL/CSA

Dimensional drawings

OS100G...160G_S_



OS100-160G_

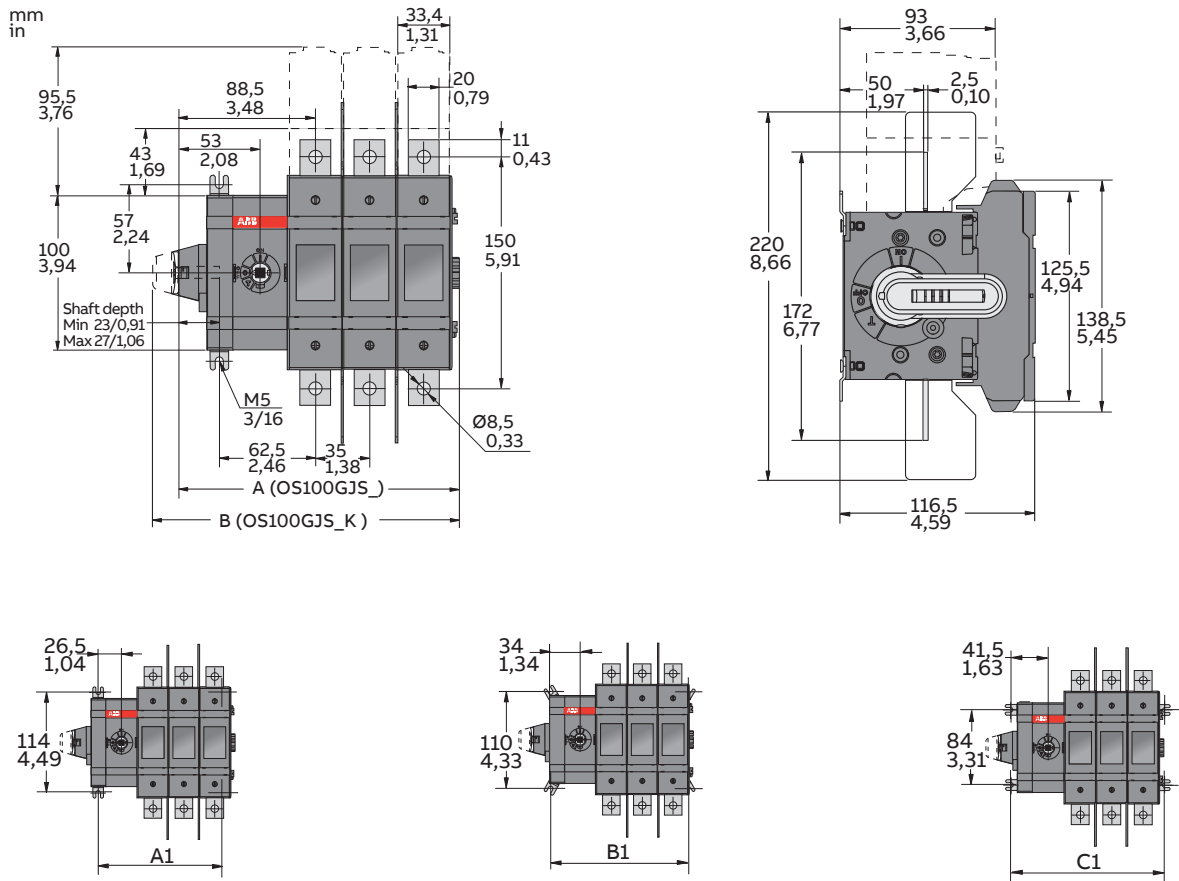
| [mm] | D/F01 | D/F02 | D/F03 | D/F04 | B01 | B02 | B03 | B04 |
|------|-------|-------|-------|-------|-------|-------|-------|-------|
| A | 111,5 | 146,5 | 181,5 | 216,5 | 111,5 | 146,5 | 181,5 | 216,5 |
| 142 | 142 | 142 | 142 | 142 | 126,5 | 126,5 | 126,5 | 126,5 |
| C | 100 | 100 | 100 | 100 | 118 | 118 | 118 | 118 |
| D | 128,5 | 163,5 | 198,5 | 233,5 | 128,5 | 163,5 | 198,5 | 233,5 |
| A1 | 71,5 | 106,5 | 141,5 | 176,5 | 71,5 | 106,5 | 141,5 | 176,5 |
| B1 | 86,5 | 121,5 | 156,5 | 191,5 | 86,5 | 121,5 | 156,5 | 191,5 |
| C1 | 101,5 | 136,5 | 171,5 | 206,5 | 101,5 | 136,5 | 171,5 | 206,5 |

M00298/OS100_160G_S01_04 A

Side operated switch fuses, IEC and UL/CSA

Dimensional drawings

OS100GJS



| OS100G_ | | | | |
|---------|------------|------------|------------|------------|
| [mm/in] | JS01 | JS02 | JS03 | JS04 |
| A | 111,5/4,39 | 146,5/5,77 | 181,5/7,15 | 216,5/8,52 |
| B | 128,5/5,06 | 163,5/6,44 | 198,5/7,91 | 233,5/9,19 |
| A1 | 71,5/2,81 | 106,5/4,19 | 141,5/5,57 | 176,5/6,95 |
| B1 | 86,5/3,41 | 121,5/4,78 | 156,5/6,16 | 191,5/7,54 |
| C1 | 101,5/4,00 | 136,5/5,37 | 171,5/6,75 | 206,5/8,13 |

M00296/OS30_63G_01_04S A

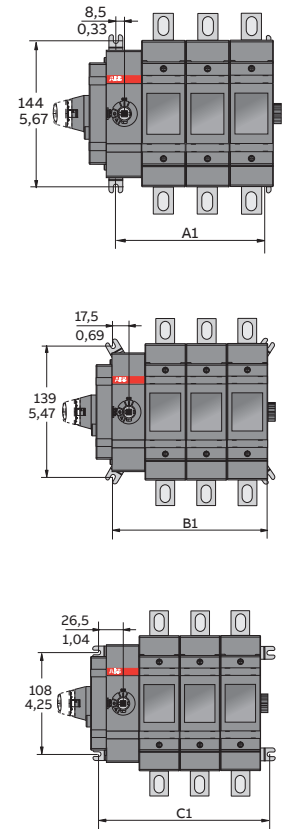
Side operated switch fuses, IEC and UL/CSA

Dimensional drawings

OS200...250_S_ (IEC only)

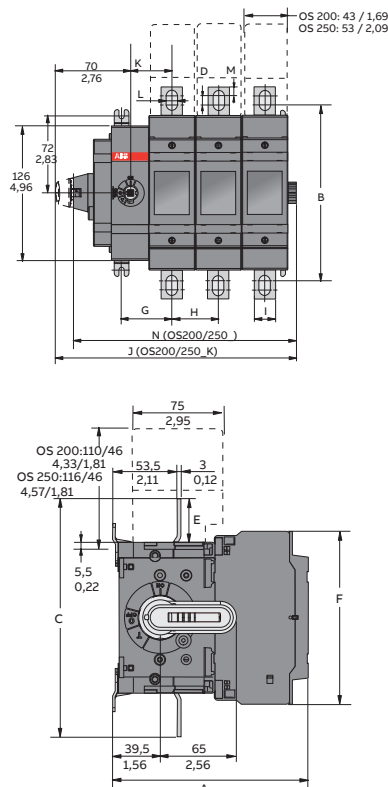
| OS200_, OS200_K | | | | | | | | |
|-----------------|------------|------------|------------|------------|------------|------------|-------------|-------------|
| [mm/ in] | DS01 | BS01 | DS02 | BS02 | DS03 | BS03 | DS04 | BS04 |
| A | 162,0/6,38 | 143,0/5,63 | 162,0/6,38 | 143,0/5,12 | 162,0/6,38 | 143,0/5,63 | 162,0/6,38 | 143,0/5,63 |
| B | 164,5/6,48 | 164,5/6,48 | 164,5/6,48 | 164,5/6,48 | 164,5/6,48 | 164,5/6,48 | 164,5/6,48 | 164,5/6,48 |
| C | 198,5/7,81 | 198,5/7,81 | 198,5/7,81 | 198,5/7,81 | 198,5/7,81 | 198,5/7,81 | 198,5/7,81 | 198,5/7,81 |
| D | 8,5/0,33 | 8,5/0,33 | 8,5/0,33 | 8,5/0,33 | 8,5/0,33 | 8,5/0,33 | 8,5/0,33 | 8,5/0,33 |
| E | 36,5/1,44 | 36,5/1,44 | 36,5/1,44 | 36,5/1,44 | 36,5/1,44 | 36,5/1,44 | 36,5/1,44 | 36,5/1,44 |
| F | 144,5/5,69 | 144,5/5,69 | 144,5/5,69 | 144,5/5,69 | 144,5/5,69 | 144,5/5,69 | 144,5/5,69 | 144,5/5,69 |
| G | 48,5/1,91 | 48,5/1,91 | 48,5/1,91 | 48,5/1,91 | 48,5/1,91 | 48,5/1,91 | 48,5/1,91 | 48,5/1,91 |
| H | -/- | -/- | 43,5/1,71 | 43,5/1,71 | 43,5/1,71 | 43,5/1,71 | 43,5/1,71 | 43,5/1,71 |
| I | 20,0/0,79 | 20,0/0,79 | 20,0/0,79 | 20,0/0,79 | 20,0/0,79 | 20,0/0,79 | 20,0/0,79 | 20,0/0,79 |
| J | 138,5/5,45 | 138,5/5,45 | 182,0/7,17 | 182,0/7,17 | 225,5/8,88 | 225,5/8,88 | 269,0/10,59 | 269,0/10,59 |
| K | 40,0/1,57 | 40,0/1,57 | 40,0/1,57 | 40,0/1,57 | 40,0/0,39 | 840,0/1,57 | 40,0/1,57 | 40,0/1,57 |
| L | 10,0/0,39 | 10,0/0,39 | 10,0/0,39 | 10,0/0,39 | 10,0/0,39 | 10,0/0,39 | 10,0/0,39 | 10,0/0,39 |
| M | 8,5/0,33 | 8,5/0,33 | 8,5/0,33 | 8,5/0,33 | 8,5/0,33 | 8,5/0,33 | 8,5/0,33 | 8,5/0,33 |
| N | 121,5/4,78 | 121,5/4,78 | 165,0/6,50 | 165,0/6,50 | 208,5/8,21 | 208,5/8,21 | 252,0/9,92 | 252,0/9,92 |
| A1 | 60,5/2,38 | 60,5/2,38 | 104,0/4,09 | 104,0/4,09 | 147,5/5,81 | 147,5/5,81 | 191,0/7,52 | 191,0/7,52 |
| B1 | 79,5/3,13 | 79,5/3,13 | 123,0/4,84 | 123,0/4,84 | 166,5/6,56 | 166,5/6,56 | 210,0/8,27 | 210,0/8,27 |
| C1 | 96,5/3,80 | 96,5/3,80 | 140,0/5,51 | 140,0/5,51 | 183,5/7,22 | 183,5/7,22 | 227,0/8,94 | 227,0/8,94 |

M00153/OS200-250_S001-04_C



| OS250_, OS250_K | | | | |
|-----------------|------------|------------|-------------|-------------|
| [mm/ in] | DS01 | BS01 | DS02 | BS02 |
| A | 154,5/6,06 | 154,0/6,06 | 154,0/6,06 | 154,0/6,06 |
| B | 162,0/6,38 | 162,0/6,38 | 162,0/6,38 | 162,0/6,38 |
| C | 193,0/7,60 | 193,0/7,60 | 193,0/7,60 | 193,0/7,60 |
| D | 4,0/0,16 | 4,0/0,16 | 4,0/0,16 | 4,0/0,16 |
| E | 33,5/1,30 | 33,5/1,32 | 33,5/1,32 | 33,5/1,32 |
| F | 148,5/5,85 | 148,5/5,85 | 148,5/5,85 | 148,5/5,85 |
| G | 53,5/2,11 | 53,5/2,11 | 53,5/2,11 | 53,5/2,11 |
| H | -/- | 54,0/2,13 | 54,0/2,13 | 54,0/2,13 |
| I | 25,0/0,98 | 25,0/0,98 | 25,0/0,98 | 25,0/0,98 |
| J | 148,5/5,85 | 202,5/7,97 | 256,5/10,10 | 310,5/12,22 |
| K | 45,0/1,77 | 45,0/1,77 | 45,0/1,77 | 45,0/1,77 |
| L | 11,0/0,43 | 11,0/0,43 | 11,0/0,43 | 11,0/0,43 |
| M | 11,5/0,45 | 11,5/0,45 | 11,5/0,45 | 11,5/0,45 |
| N | 131,5/5,18 | 186,0/7,32 | 240,0/9,45 | 294,0/11,57 |
| A1 | 70,5/2,78 | 124,5/4,90 | 178,5/7,03 | 232,5/9,15 |
| B1 | 89,5/3,52 | 143,5/5,65 | 197,5/7,78 | 251,5/9,90 |
| C1 | 106,5/4,19 | 214,5/8,44 | 268,5/10,57 | 322,5/12,70 |

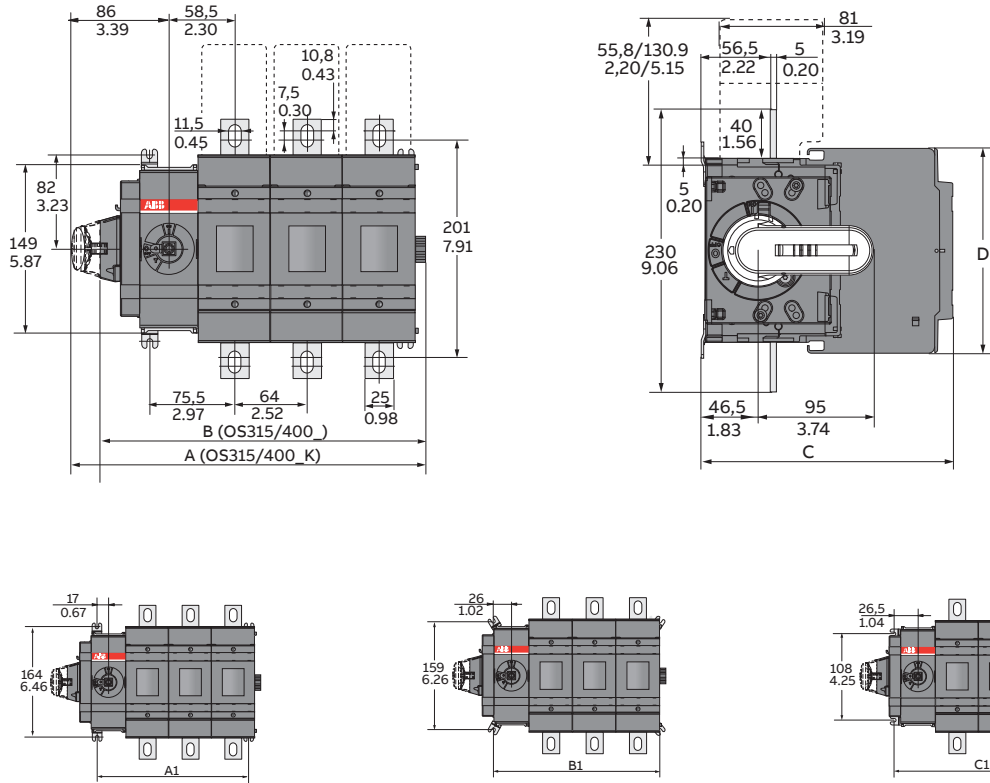
M00528/ OS60GJ11-22 A



Side operated switch fuses, IEC and UL/CSA

Dimensional drawings

OS315...400_S_



| OS315, OS315_K, OS400, OS400_K | | | | |
|--------------------------------|---------------|---------------|---------------|---------------|
| [mm/ in] | BS01/ JS01 | BS02/ JS02 | BS03/ JS03 | BS04/ JS04 |
| A | 185,0/7,28 | 249,0/9,80 | 313,0/12,32 | 377,0/14,84 |
| B | 160,0/6,30 | 224,0/8,82 | 288,0/11,34 | 352,0/13,86 |
| C | 189,0/7,44 | 189,0/7,44 | 189,0/7,44 | 189,0/7,44 |
| D | 194,0/7,64 | 194,0/7,64 | 194,0/7,64 | 194,0/7,64 |
| A1 | 98,5/3,88 | 162,5/6,40 | 226,5/8,92 | 290,5/11,44 |
| B1 | 116,5/4,59 | 180,5/7,11 | 244,5/9,63 | 308,5/12,15 |
| C1 | 134,5/5,30 | 198,5/7,81 | 262,5/10,33 | 326,5/12,85 |

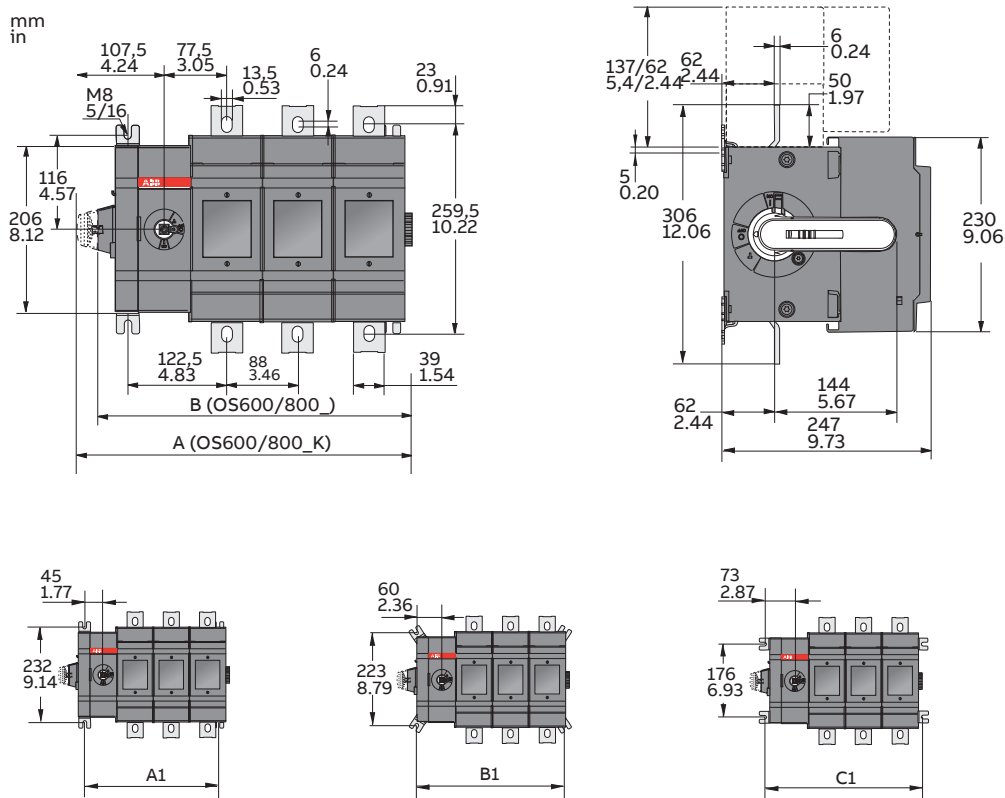
M00154/OS315-400_S01-04_C

| OS400, OS400 K | | | | |
|----------------|------------|------------|-------------|-------------|
| [mm/ in] | DS01 | DS02 | DS03 | DS04 |
| A | 185,0/7,28 | 249,0/9,80 | 313,0/12,32 | 377,0/14,84 |
| B | 160,0/6,30 | 224,0/8,82 | 288,0/11,34 | 352,0/13,86 |
| C | 206,0/8,12 | 206,0/8,12 | 206,0/8,12 | 206,0/8,12 |
| D | 166,0/6,54 | 166,0/6,54 | 166,0/6,54 | 166,0/6,54 |
| A1 | 98,5/3,88 | 162,5/6,40 | 226,5/8,92 | 290,5/11,44 |
| B1 | 116,5/4,59 | 180,5/7,11 | 244,5/9,63 | 308,5/12,15 |
| C1 | 134,5/5,30 | 198,5/7,81 | 262,5/10,33 | 326,5/12,85 |

Side operated switch fuses, IEC and UL/CSA

Dimensional drawings

OS600...OS800_S_



OS600/630/800_, OS600/630/800_K

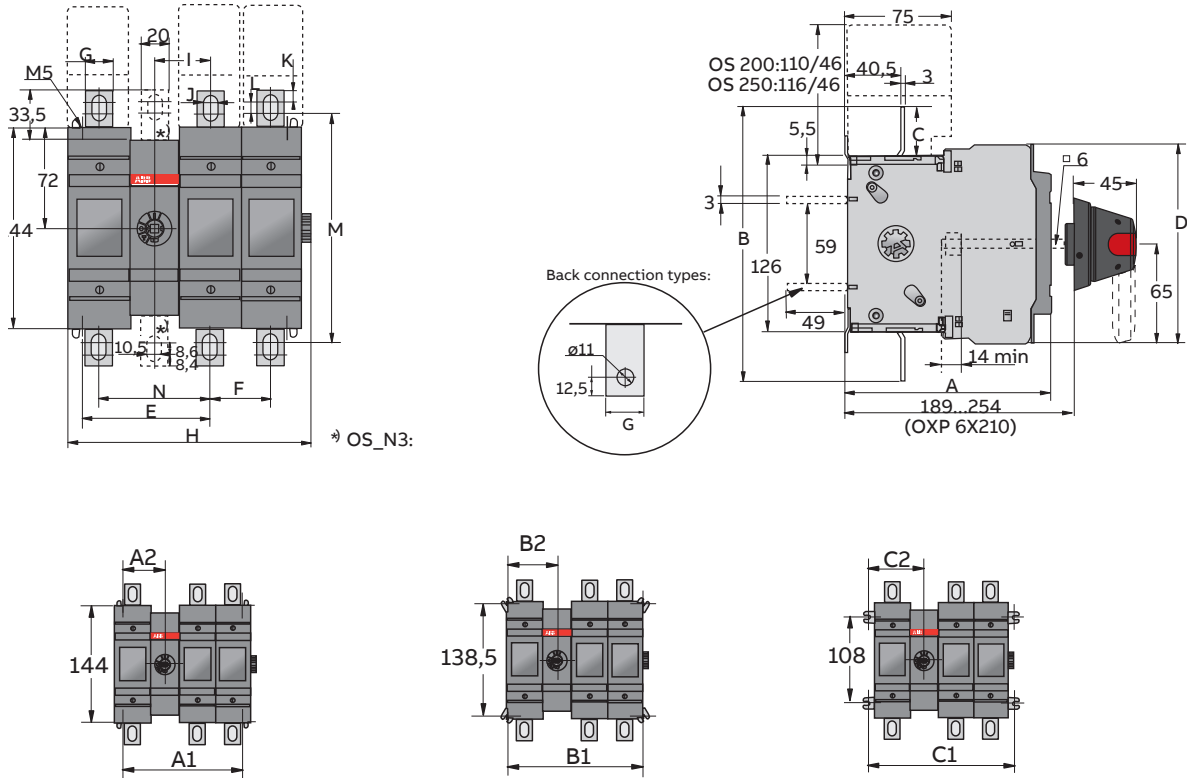
| [mm/in] | DS/BS/JS01 | DS/BS/JS02 | DS/BS/JS03 | DS/BS/JS04 |
|---------|------------|-------------|-------------|-------------|
| A | 238,0/9,38 | 326,0/12,84 | 414,0/16,31 | 502,0/19,78 |
| B | 213,0/8,39 | 301,0/11,86 | 389,0/15,32 | 477,0/18,79 |
| A1 | 147,5/5,81 | 235,5/9,28 | 323,5/12,75 | 411,5/16,21 |
| B1 | 177,5/6,99 | 265,5/10,46 | 353,5/13,93 | 441,5/17,39 |
| C1 | 203,5/8,02 | 291,5/11,48 | 379,5/14,95 | 467,5/18,42 |

M00146/OS600-800_S01_-04_C

Special connected switch fuses

Dimensional drawings

OS200_12/22_ and OS250_12/22 (BB)



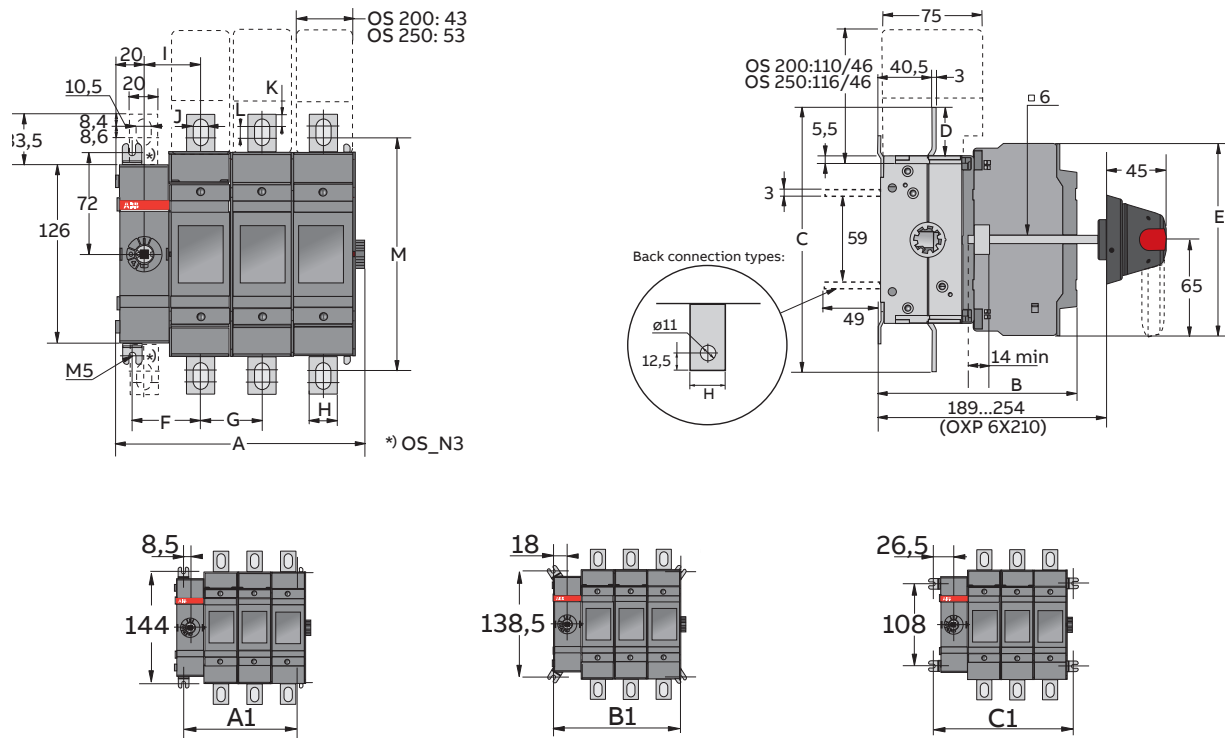
| OS200 | | | | | | | | |
|-------|-------|-------|-------|-------|-------|-------|-------|-------|
| [mm] | D11 | B11 | D12 | B12 | D13 | B13 | D22 | B22 |
| A | 149 | 130 | 149 | 130 | 141 | 130 | 149 | 130 |
| B | 199 | 199 | 199 | 199 | 199 | 199 | 199 | 199 |
| C | 36,5 | 36,5 | 36,5 | 36,5 | 36,5 | 36,5 | 36,5 | 36,5 |
| D | 144,5 | 144,5 | 144,5 | 144,5 | 144,5 | 144,5 | 144,5 | 144,5 |
| E | 92 | 92 | 92 | 92 | 92 | 92 | 135,5 | 135,5 |
| F | 43,5 | 43,5 | 43,5 | 43,5 | 43,5 | 43,5 | 43,5 | 43,5 |
| G | 20 | 20 | 20 | 20 | 20 | 20 | 20 | 20 |
| H | 132 | 132 | 175,5 | 175,5 | 219 | 219 | 219 | 219 |
| I | 40 | 40 | 40 | 40 | 40 | 40 | 40 | 40 |
| J | 10 | 10 | 10 | 10 | 10 | 10 | 10 | 01 |
| K | 8,4 | 8,4 | 8,4 | 8,4 | 8,4 | 8,4 | 8,4 | 8,4 |
| L | 8,6 | 8,6 | 8,6 | 8,6 | 8,6 | 8,6 | 8,6 | 8,6 |
| M | 165 | 165 | 165 | 165 | 165 | 165 | 165 | 165 |
| N | 80 | 80 | 80 | 80 | 80 | 80 | 80 | 80 |
| A1 | 104 | 104 | 147,5 | 147,5 | 191 | 191 | 191 | 191 |
| A2 | 52 | 52 | 52 | 52 | 52 | 52 | 95,5 | 95,5 |
| B1 | 123 | 123 | 166,5 | 166,5 | 210 | 210 | 210 | 210 |
| B2 | 61,5 | 61,5 | 61,5 | 61,5 | 61,5 | 61,5 | 105 | 105 |
| C1 | 140 | 140 | 183,5 | 183,5 | 227 | 227 | 227 | 227 |
| C2 | 70 | 70 | 70 | 70 | 70 | 70 | 113,5 | 113,5 |

| OS250 | | | | |
|-------|-------|-------|-------|-------|
| [mm] | D11 | D12 | D13 | D22 |
| A | 154 | 154 | 154 | 154 |
| B | 193 | 193 | 193 | 193 |
| C | 33,5 | 33,5 | 33,5 | 33,5 |
| D | 148,5 | 148,5 | 148,5 | 148,5 |
| E | 112,5 | 112,5 | 112,5 | 161 |
| F | 54 | 54 | 54 | 54 |
| G | 25 | 25 | 25 | 25 |
| H | 152 | 206 | 260 | 260 |
| I | 45 | 45 | 45 | 45 |
| J | 11 | 11 | 11 | 11 |
| K | 11,5 | 11,5 | 11,5 | 11,5 |
| L | 4 | 4 | 4 | 4 |
| M | 162 | 162 | 162 | 162 |
| N | 90 | 90 | 90 | 90 |
| A1 | 124 | 178 | 232 | 232 |
| A2 | 62 | 62 | 62 | 116 |
| B1 | 143 | 197 | 251 | 251 |
| B2 | 71,5 | 71,5 | 71,5 | 125,5 |
| C1 | 160 | 214 | 268 | 268 |
| C2 | 80 | 80 | 80 | 134 |

Special connected switch fuses

Dimensional drawings

OS200_03/04_ and OS250_03/04 (BB)



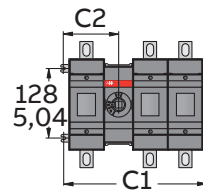
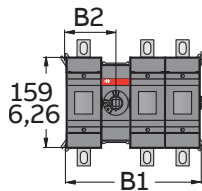
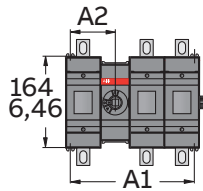
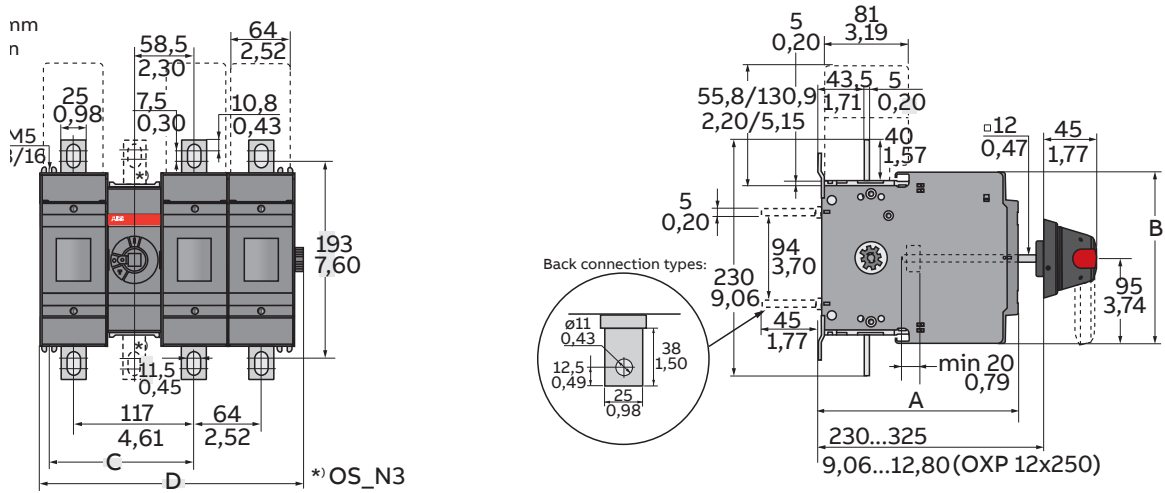
| OS200_BB_ | | | | | | | | |
|-----------|-------|-------|-------|-------|-------|-------|-------|-------|
| [mm] | D01 | B01 | D02 | B02 | D03 | B03 | D04 | B04 |
| A | 89,5 | 89,5 | 133 | 133 | 176,5 | 176,5 | 220 | 220 |
| B | 149 | 130 | 149 | 130 | 149 | 130 | 149 | 149 |
| C | 198,5 | 198,5 | 198,5 | 198,5 | 198,5 | 198,5 | 198,5 | 198,5 |
| D | 36,5 | 36,5 | 36,5 | 36,5 | 36,5 | 36,5 | 36,5 | 36,5 |
| E | 144,5 | 144,5 | 144,5 | 144,5 | 144,5 | 144,5 | 144,5 | 144,5 |
| F | 48,5 | 48,5 | 48,5 | 48,5 | 48,5 | 48,5 | 48,5 | 48,5 |
| G | - | - | 43,5 | 43,5 | 43,5 | 43,5 | 43,5 | 43,5 |
| H | 20 | 20 | 20 | 20 | 20 | 20 | 20 | 20 |
| I | 40 | 40 | 404 | 40 | 40 | 40 | 40 | 40 |
| J | 10 | 10 | 10 | 10 | 10 | 10 | 10 | 01 |
| K | 8,4 | 8,4 | 8,4 | 8,4 | 8,4 | 8,4 | 8,4 | 8,4 |
| L | 8,6 | 8,6 | 8,6 | 8,6 | 8,6 | 8,6 | 8,6 | 8,6 |
| M | 164,5 | 164,5 | 164,5 | 164,5 | 164,5 | 164,5 | 164,5 | 164,5 |
| A1 | 60,5 | 60,5 | 104 | 104 | 147,5 | 147,5 | 191 | 191 |
| B1 | 79,5 | 79,5 | 123 | 123 | 166,5 | 166,5 | 210 | 210 |
| C1 | 96,5 | 96,5 | 140 | 140 | 183,5 | 183,5 | 227 | 227 |

| OS250_BB_ | | | | |
|-----------|-------------|-------------|-------------|-------------|
| [mm] | D01/ B01 | D02/ B02 | D03/ B03 | D04/ B04 |
| A | 99,5 | 153,5 | 207,5 | 261,5 |
| B | 154 | 154 | 154 | 154 |
| C | 193 | 193 | 193 | 193 |
| D | 33,5 | 33,5 | 33,5 | 33,5 |
| E | 148,5 | 148,5 | 148,5 | 148,5 |
| F | 53,5 | 53,5 | 53,5 | 53,5 |
| G | - | 54 | 54 | 54 |
| H | 25 | 25 | 25 | 25 |
| I | 45 | 45 | 45 | 45 |
| J | 11 | 11 | 11 | 11 |
| K | 11,5 | 11,5 | 11,5 | 11,5 |
| L | 4 | 4 | 4 | 4 |
| M | 162 | 162 | 162 | 162 |
| A1 | 70,5 | 124,5 | 178,5 | 232,5 |
| B1 | 89,5 | 143,5 | 197,5 | 251,5 |
| C1 | 106,5 | 160,5 | 214,5 | 268,5 |

Special connected switch fuses

Dimensional drawings

OS315_12/22_ and OS400_12/22 (BB)



| OS315-400_BB_ | | | | | |
|---------------|-----|-----|-----|-----|-----|
| [mm] | B11 | B12 | B13 | B21 | B22 |
| A | 176 | 176 | 176 | 176 | 176 |
| B | 194 | 194 | 194 | 194 | 194 |
| C | 140 | 140 | 140 | 204 | 204 |
| D | 190 | 254 | 318 | 254 | 318 |

| OS400_BB_ | | | | | |
|-----------|-----|-----|-----|-----|-----|
| [mm] | D11 | D12 | D13 | D21 | D22 |
| A | 193 | 193 | 193 | 193 | 193 |
| B | 166 | 166 | 166 | 166 | 166 |
| C | 140 | 140 | 140 | 204 | 204 |
| D | 190 | 254 | 318 | 254 | 318 |

| OS315_BB_ | | | | | |
|-----------|------|------|-------|-------|------|
| [mm] | B11 | B12 | B21 | B22 | B13 |
| A1 | 163 | 227 | 227 | 291 | 291 |
| A2 | 81,5 | 81,5 | 145,5 | 145,5 | 81,5 |
| B1 | 181 | 245 | 245 | 309 | 309 |
| B2 | 90,5 | 90,5 | 154,5 | 154,5 | 90,5 |
| C1 | 199 | 263 | 263 | 327 | 327 |
| C2 | 99,5 | 99,5 | 163,5 | 163,5 | 99,5 |

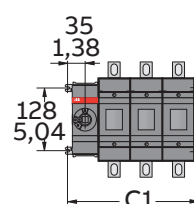
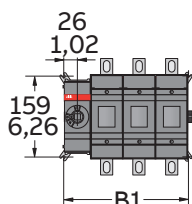
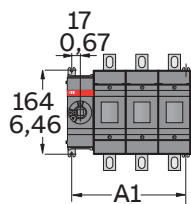
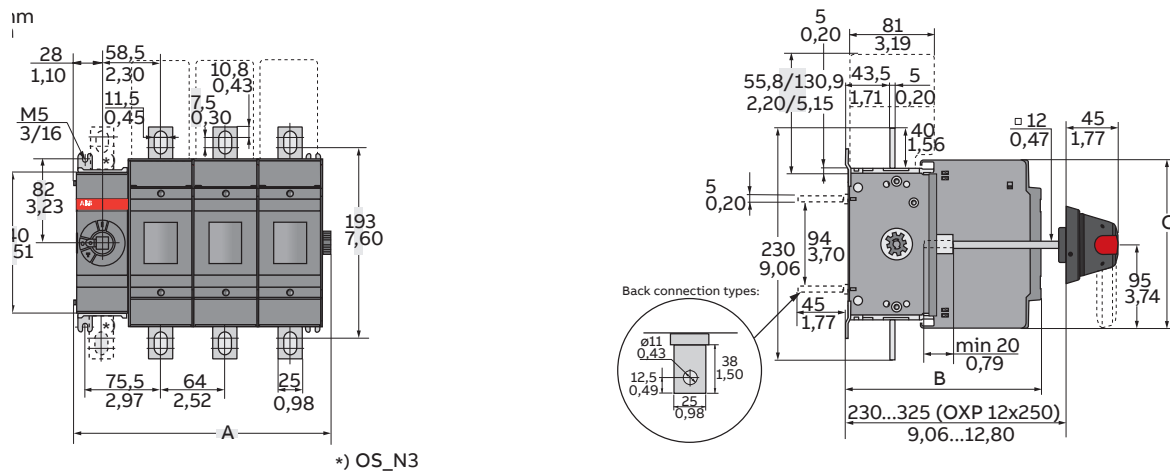
| OS400_BB_ | | | | | |
|-----------|-------------|-------------|-------------|-------------|-------------|
| [mm] | B11/ D11 | B12/ D12 | B21/ D21 | B22/ D22 | B13/ D13 |
| A1 | 163 | 227 | 227 | 291 | 291 |
| A2 | 81,5 | 81,5 | 145,5 | 145,5 | 81,5 |
| B1 | 181 | 245 | 245 | 309 | 309 |
| B2 | 90,5 | 90,5 | 154,5 | 154,5 | 90,5 |
| C1 | 199 | 263 | 263 | 327 | 327 |
| C2 | 99,5 | 99,5 | 163,5 | 163,5 | 99,5 |

C000011/OS315-400_11_DD D/M07024

Special connected switch fuses

Dimensional drawings

OS315_03/04_ and OS400_03/04 (BB)



| OS315 - 400_BB_ | | | | |
|-----------------|-----|-----|-----|-----|
| [mm] | B01 | B02 | B03 | B04 |
| A | 127 | 191 | 255 | 319 |
| B | 176 | 176 | 176 | 176 |
| C | 194 | 194 | 194 | 194 |

| OS400_BB_ | | | | |
|-----------|-----|-----|-----|-----|
| [mm] | D01 | D02 | D03 | D04 |
| A | 127 | 191 | 255 | 319 |
| B | 193 | 193 | 193 | 193 |
| C | 166 | 166 | 166 | 166 |

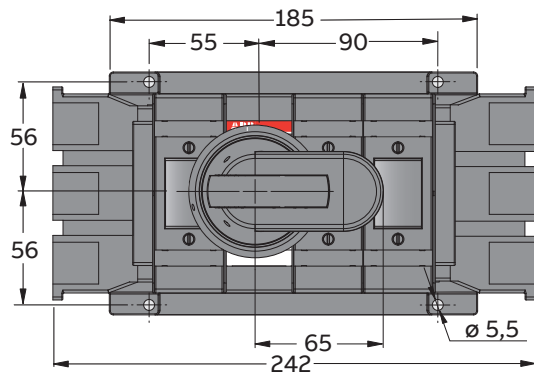
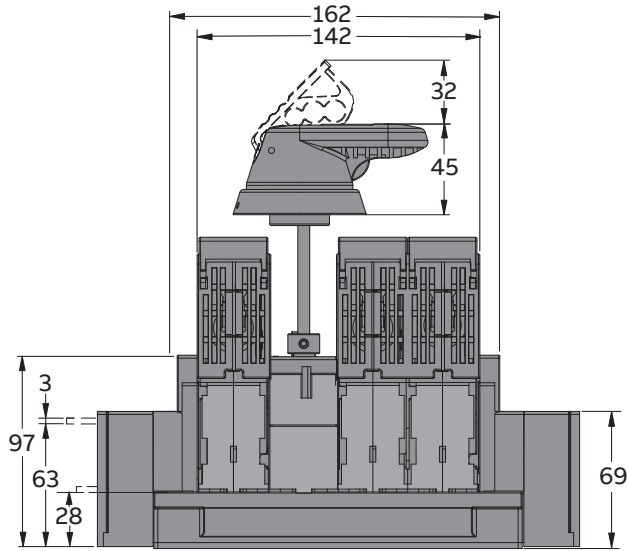
| OS315_BB_ | | | | |
|-----------|-------|-------|-------|-------|
| [mm] | B01 | B02 | B03 | B04 |
| A1 | 98,5 | 162,5 | 226,5 | 290,5 |
| B1 | 116,5 | 180,5 | 244,5 | 308,5 |
| C1 | 134,5 | 198,5 | 262,5 | 326,5 |

| OS400_BB_ | | | | |
|-----------|-------------|-------------|-------------|-------------|
| [mm] | B01/ D01 | B02/ D02 | B03/ D03 | B04/ D04 |
| A1 | 98,5 | 162,5 | 226,5 | 290,5 |
| B1 | 116,5 | 180,5 | 244,5 | 308,5 |
| C1 | 134,5 | 198,5 | 262,5 | 326,5 |

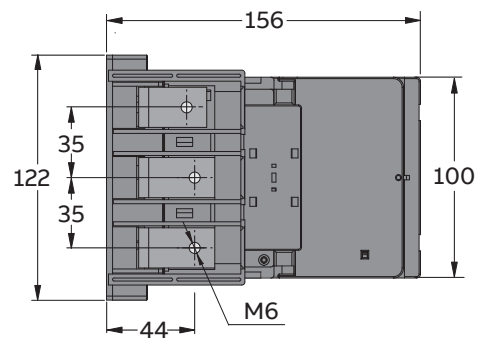
Special connected switch fuses

Dimensional drawings

OS125G...160GD12LR (LR)



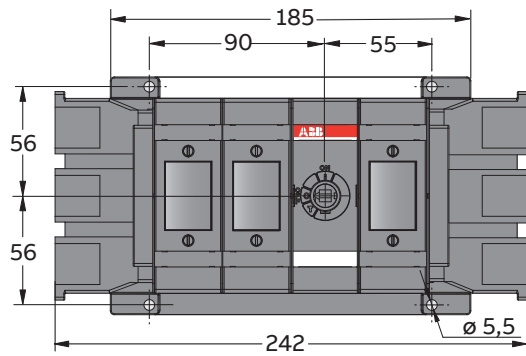
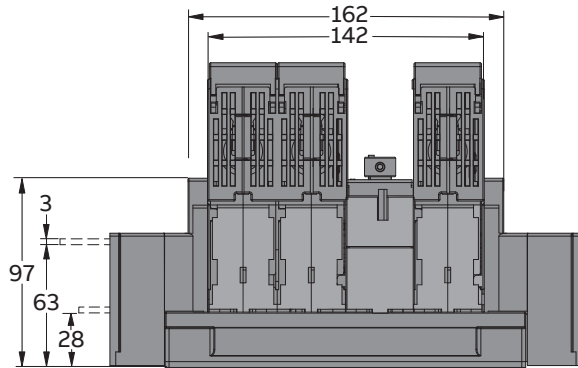
M00364/OS160GD12LR_B



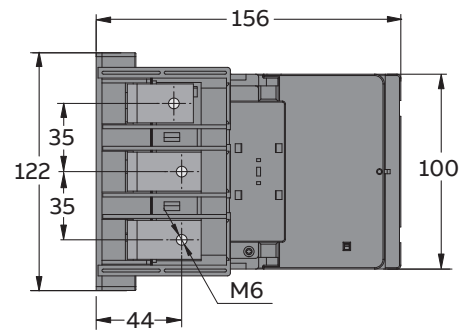
Special connected switch fuses

Dimensional drawings

OS125G...160GD21LR (LR)



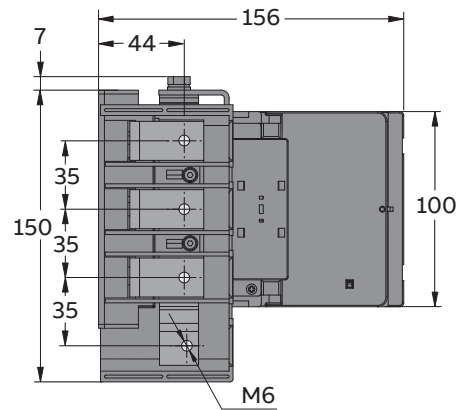
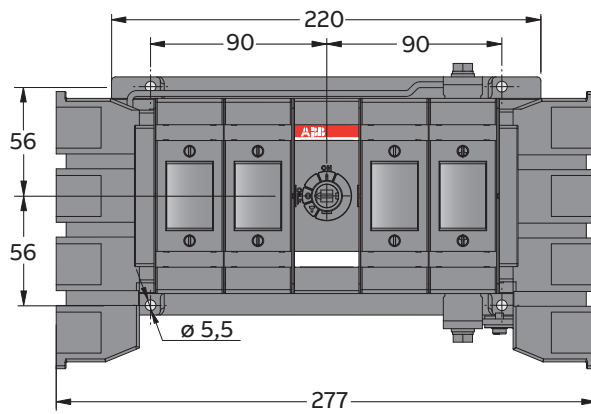
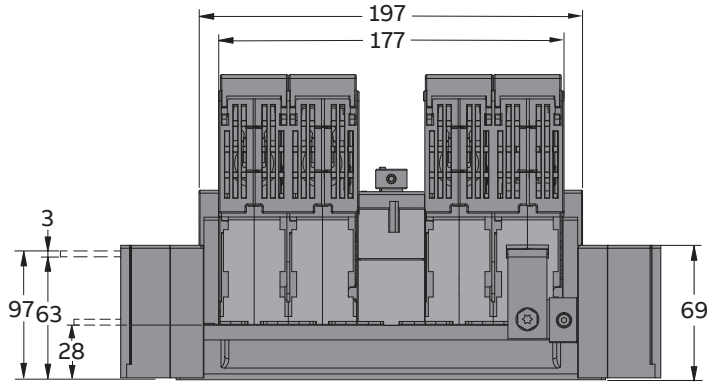
M00365/OS160GD21LR_A



Special connected switch fuses

Dimensional drawings

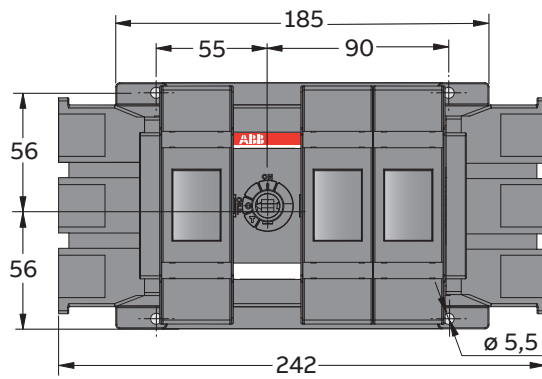
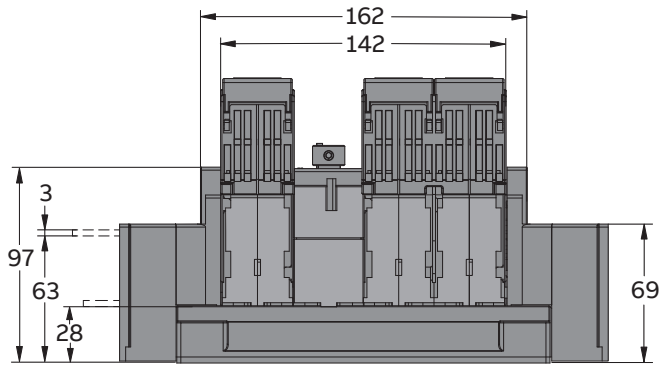
OS125G...160GD22LR (LR)



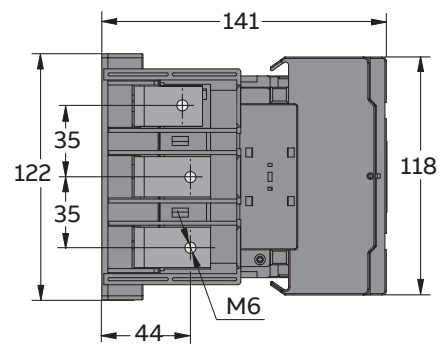
Special connected switch fuses

Dimensional drawings

OS125G...160GB12LR (LR)



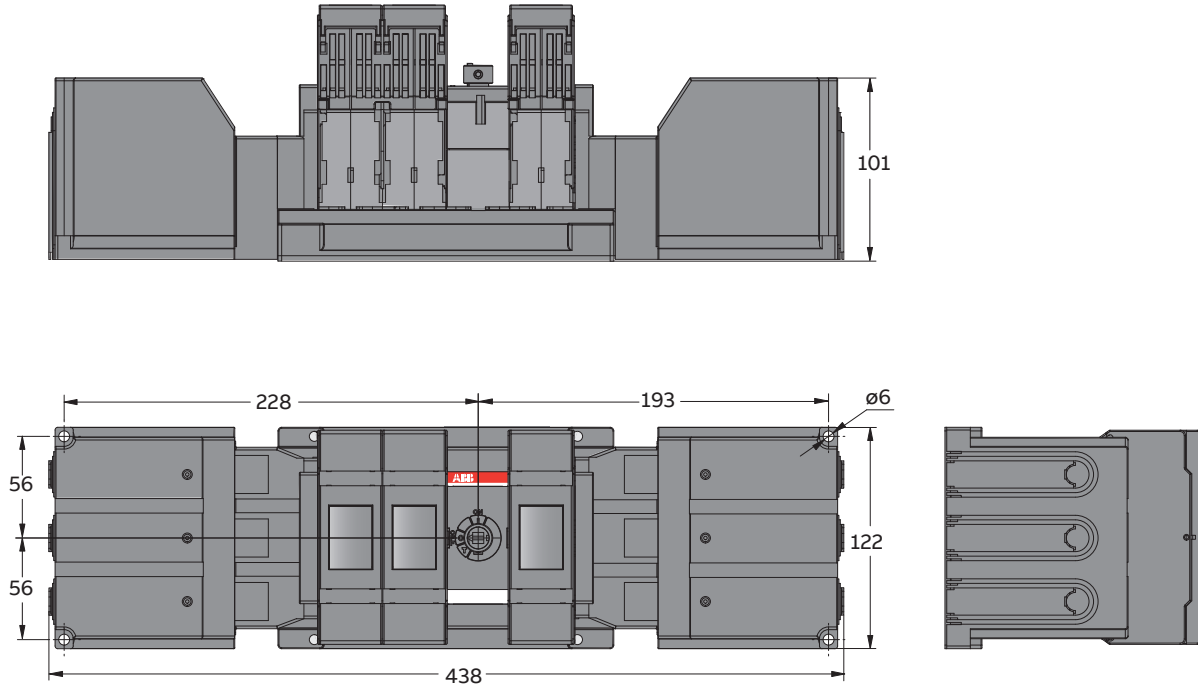
M00361/OS160GB12LR_A



Special connected switch fuses

Dimensional drawings

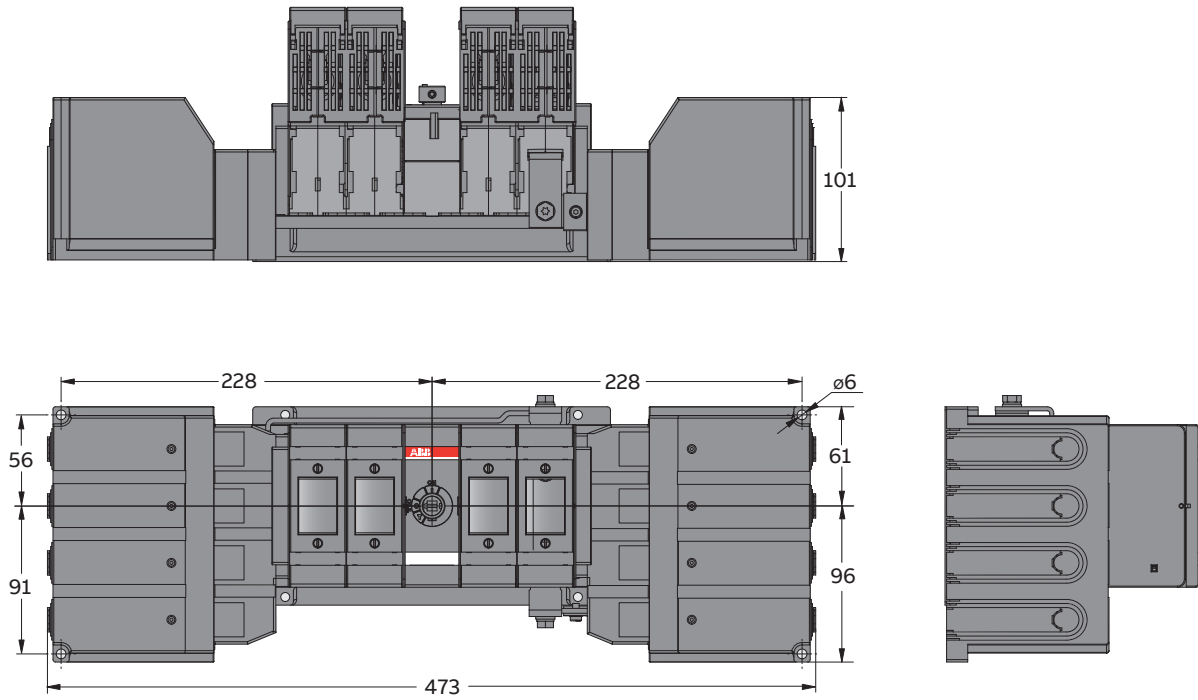
OS125G...160G_21LR + OSS160G^G_T3LS



Special connected switch fuses

Dimensional drawings

OS125G...160G_22LR + OSS160G^G_T4LS



Special connected switch fuses

Dimensional drawings

OS200B12_ and OS250_12_ (LR)

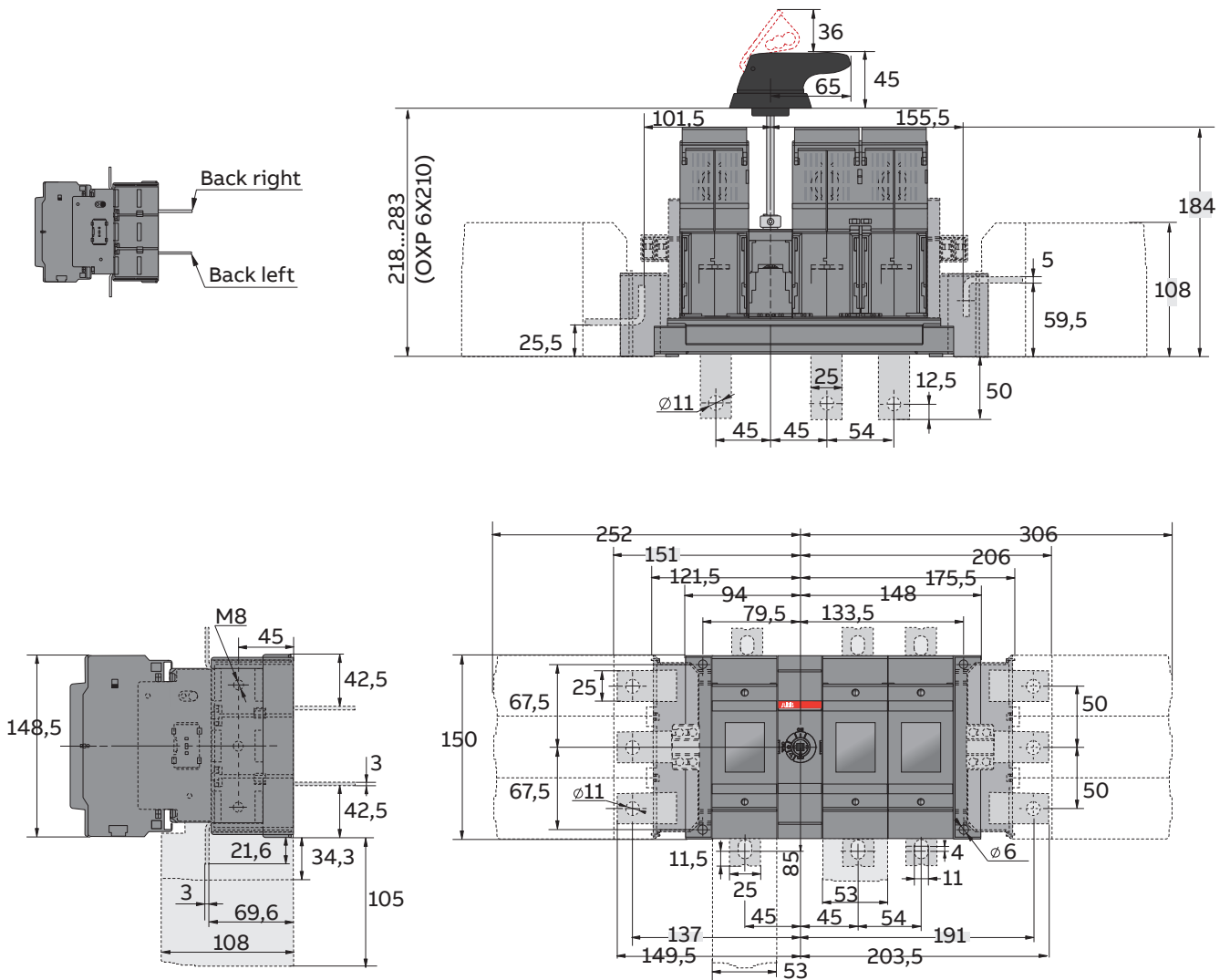
OS200B...250_LR, 3-pole

OS200B12LR

OS250B12LR

OS250D12LR

M00120/OS250_12BL-BR B/
M07026



Special connected switch fuses

Dimensional drawings

OS200B21_ and OS250_21_ (LR)

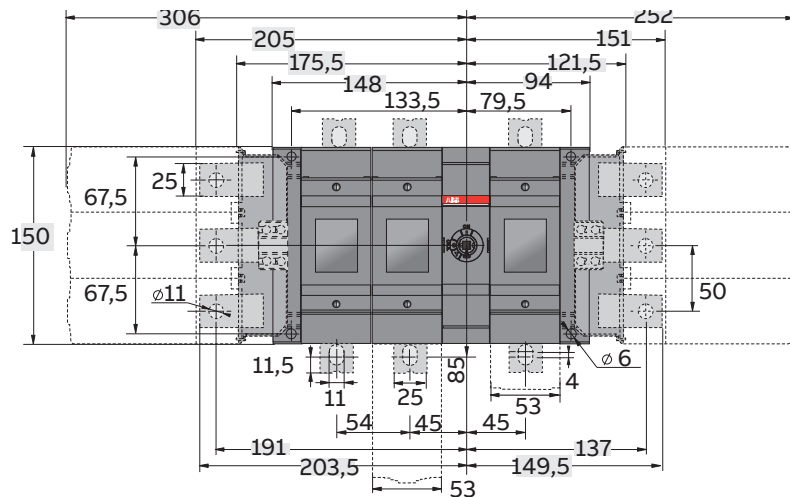
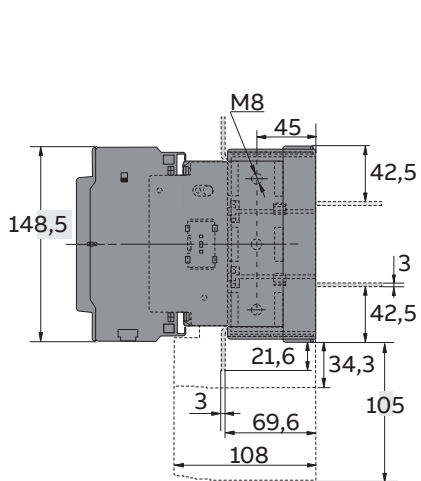
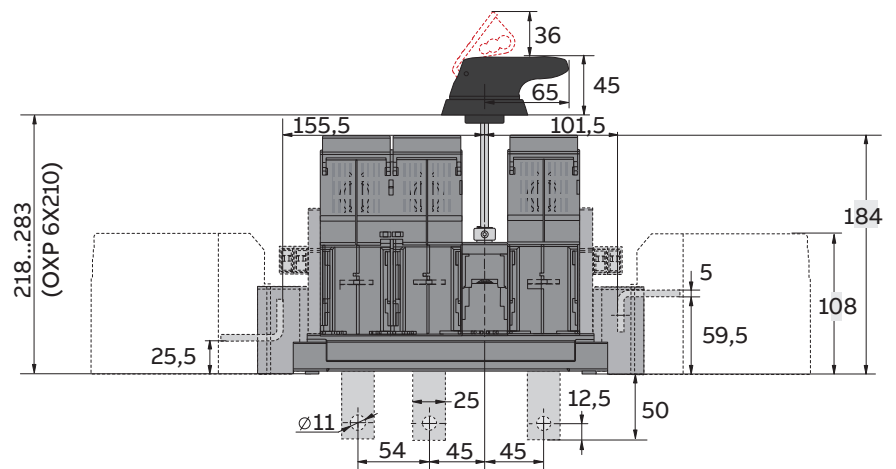
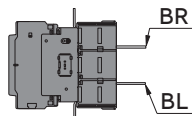
OS200B...250_LR, 3-pole

OS200B21LR

OS250B21LR

OS250D21LR

M00119/OS250_21BD-BR B/
M07027



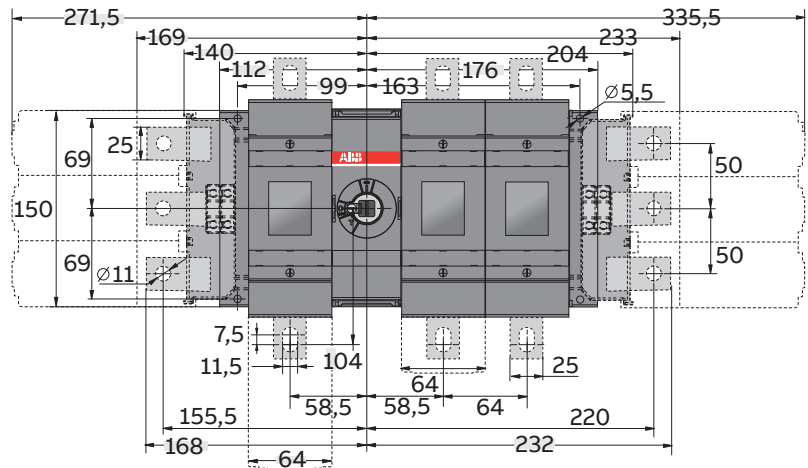
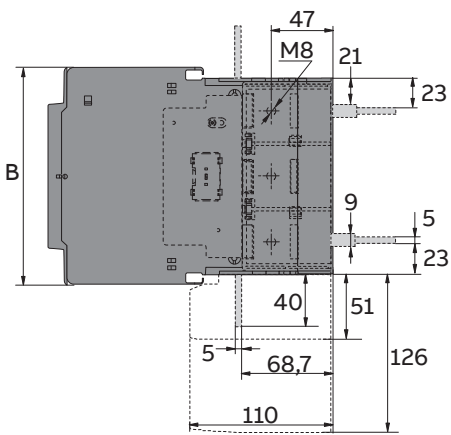
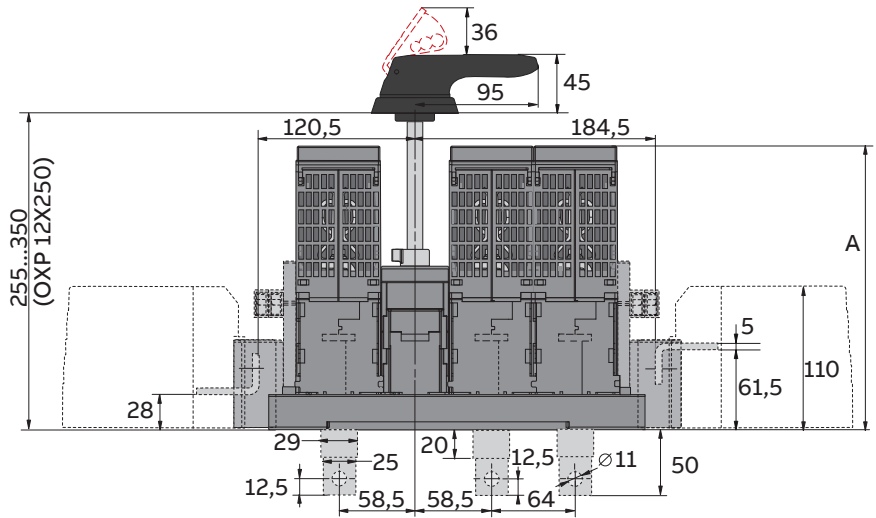
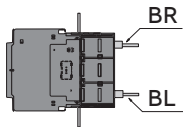
Special connected switch fuses

Dimensional drawings

OS315B12_ and OS400_12_ (LR)

| OS315B...400_LR | | |
|-----------------|-----|-----|
| | A | B |
| OS315B12LR | 201 | 194 |
| OS400B12LR | 201 | 194 |
| OS400D12LR | 218 | 166 |

M00130/OS400_12BL-BR C/M070028



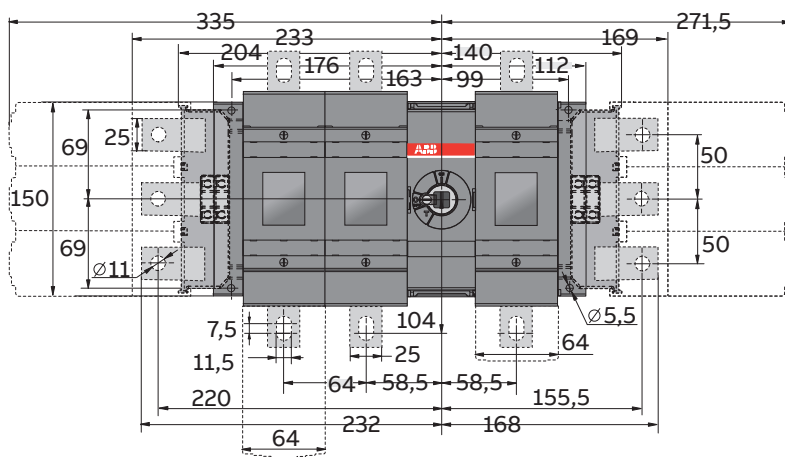
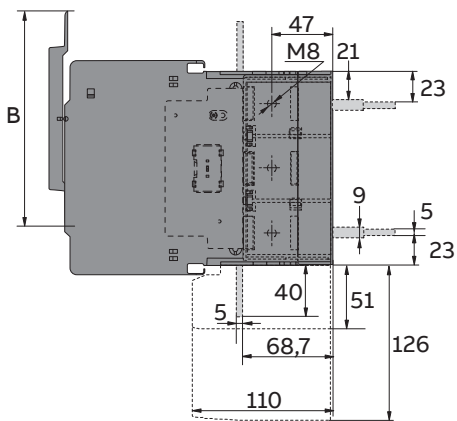
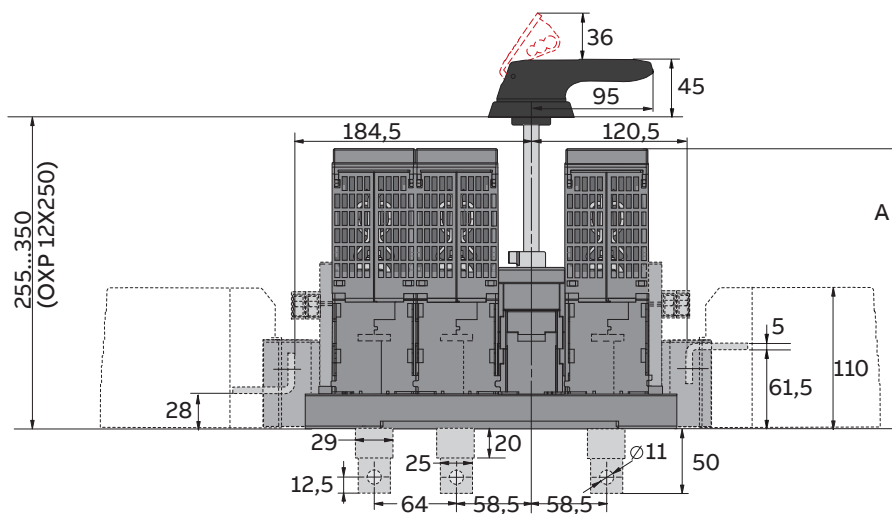
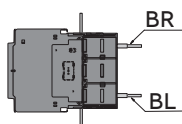
Special connected switch fuses

Dimensional drawings

OS315B21_ and OS400_21_ (LR)

| OS315B...400_LR | | |
|-----------------|-----|-----|
| | A | B |
| OS315B21LR | 201 | 194 |
| OS400B21LR | 201 | 194 |
| OS400D21LR | 218 | 166 |

M00127/OS400_21BL-BR C/M070029



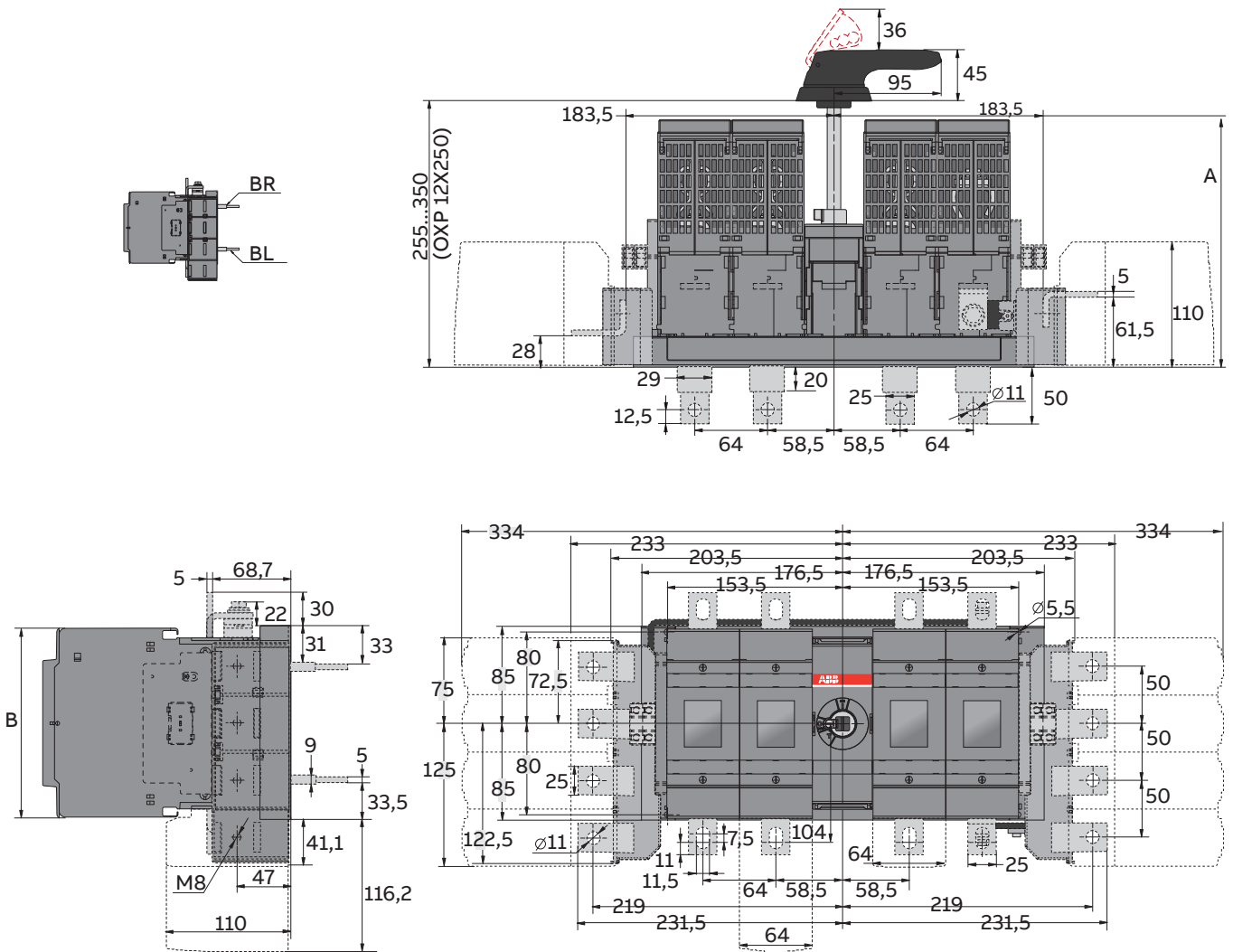
Special connected switch fuses

Dimensional drawings

OS315B22_N2 and OS400_22_N2 (LR)

| OS315B...400_LR | | |
|-----------------|-----|-----|
| | A | B |
| OS315B22LR | 201 | 194 |
| OS400B22LR | 201 | 194 |
| OS400D22LR | 218 | 166 |

M00126/OS400_22BL-BRN2 C/M07030



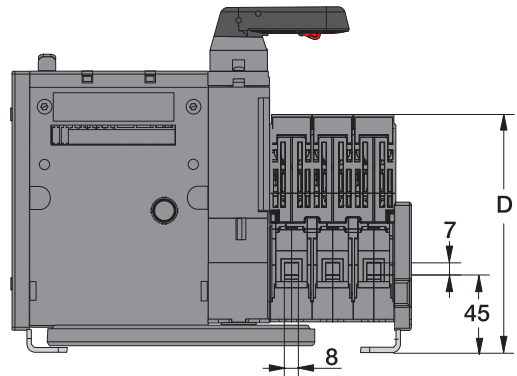
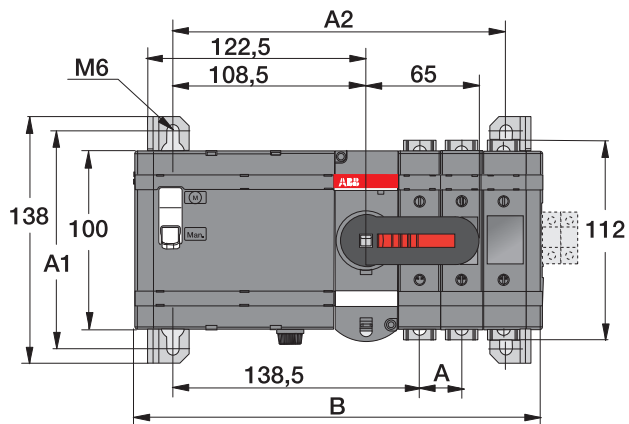
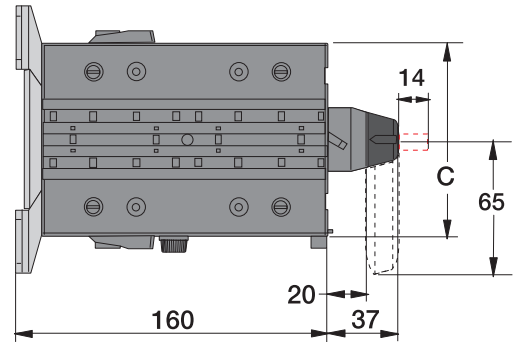
Motorized switch fuses

Dimensional drawings

OSM32...63_M_

| OSM32-63_M_ | | | | |
|-------------|-------|-------|-------|-------|
| [mm] | D3 | D4 | B3 | B4 |
| A | 23,5 | 23,5 | 23,5 | 23,5 |
| A1 | 122 | 122 | 122 | 122 |
| A2 | 187,5 | 211 | 187,5 | 211 |
| B | 229 | 252,5 | 229 | 252,5 |
| C | 100 | 100 | 100 | 100 |
| D | 136,5 | 136,5 | 124,5 | 124,5 |

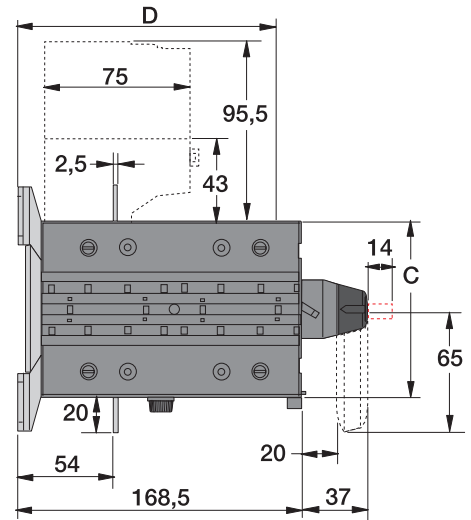
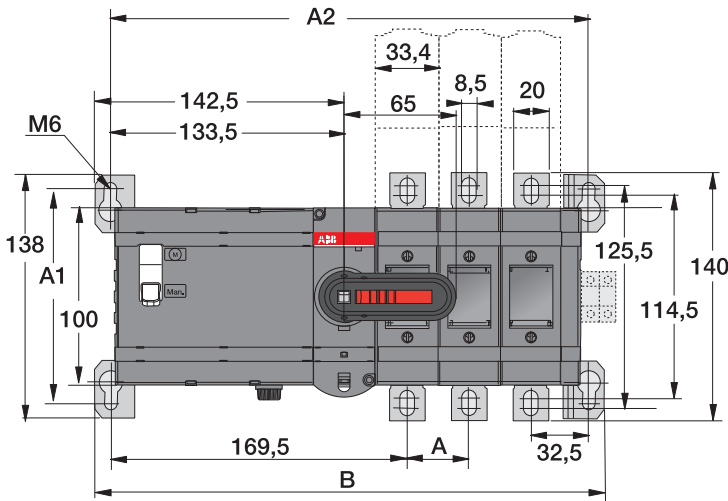
M00293/OSM32-63-M A



Motorized switch fuses

Dimensional drawings

OSM100...160_M_



OSM100-160_M-

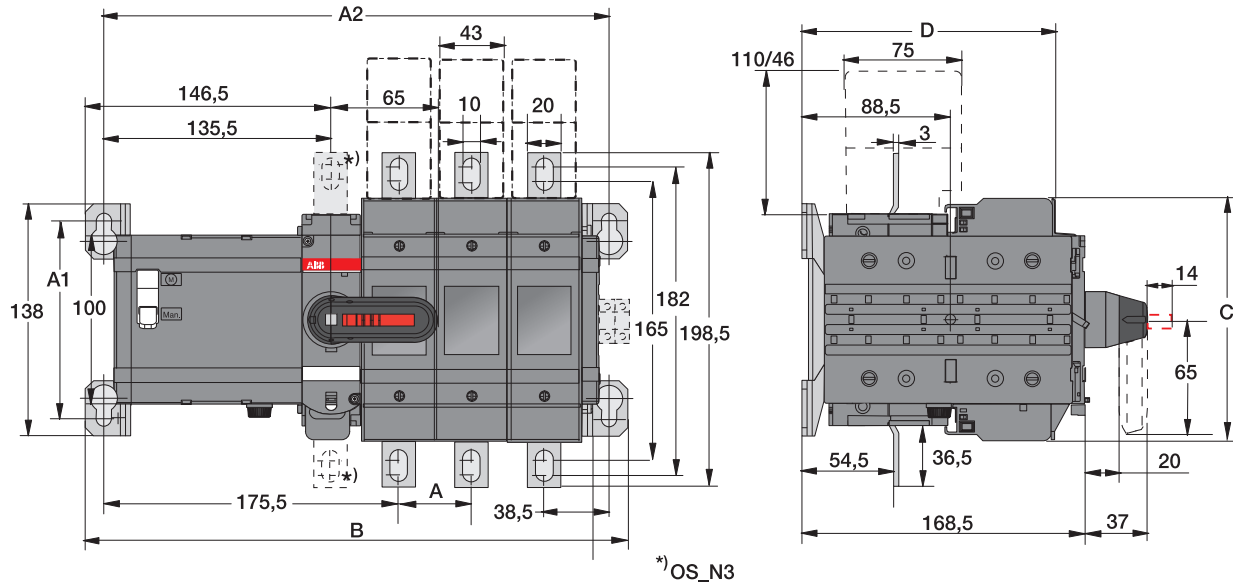
| [mm] | D/F3 | D/F4 | B3 | B4 |
|------|------|------|-------|-------|
| A | 35 | 35 | 35 | 35 |
| A1 | 122 | 122 | 122 | 122 |
| A2 | 272 | 307 | 272 | 307 |
| B | 290 | 325 | 290 | 325 |
| C | 100 | 100 | 118 | 188 |
| D | 146 | 146 | 130,5 | 130,5 |

M00294/OSM100-160-M A

Motorized switch fuses

Dimensional drawings

OSM200_M_



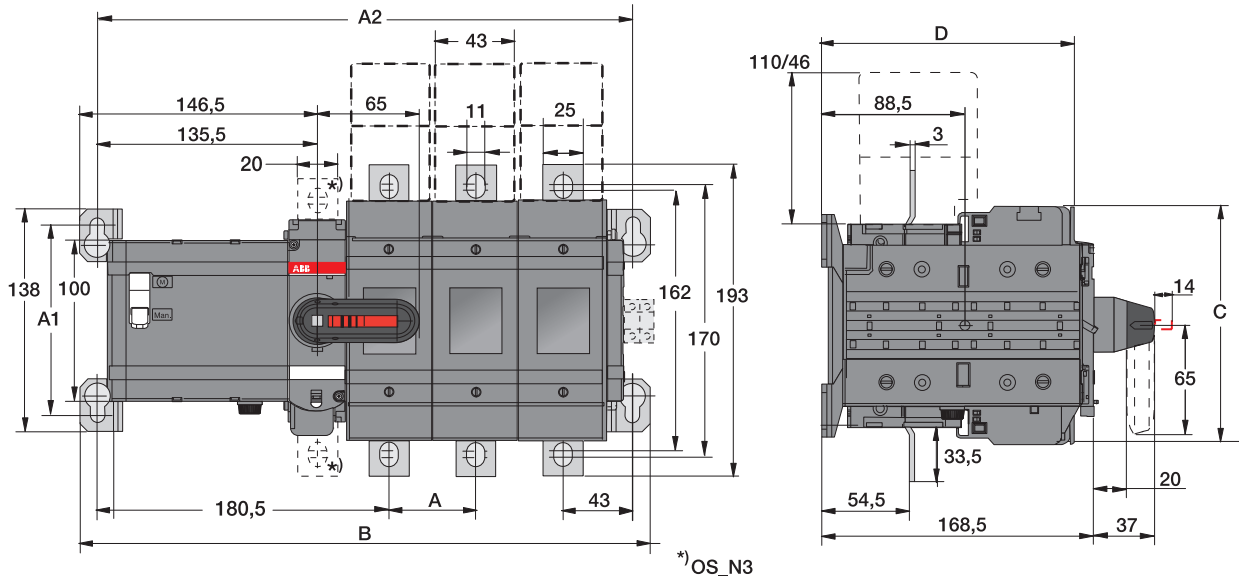
| OSM200_M_ | | | | |
|-----------|-------|-------|-------|-------|
| [mm] | B3 | B4 | D3 | D4 |
| A | 43,5 | 43,5 | 43,5 | 43,5 |
| A1 | 118 | 118 | 118 | 118 |
| A2 | 301,5 | 345 | 301,5 | 345 |
| B | 323,5 | 367 | 323,5 | 367 |
| C | 144,5 | 144,5 | 144,5 | 144,5 |
| D | 132 | 132 | 151 | 151 |

M001997 OSM200-M B

Motorized switch fuses

Dimensional drawings

OSM250_M_



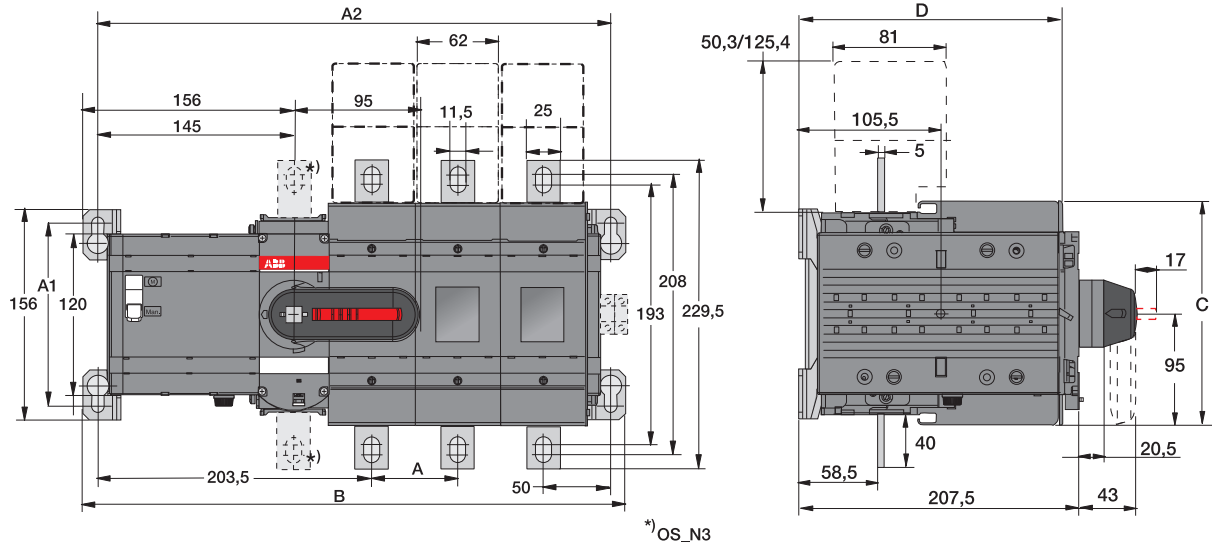
| OSM250_M_ | | |
|-----------|-------|-------|
| [mm] | D3/B3 | D4/B4 |
| A | 54 | 54 |
| A1 | 118 | 118 |
| A2 | 332 | 386 |
| B | 354 | 408 |
| C | 148,5 | 148,5 |
| D | 156 | 156 |

M00198 / OSM250-M B

Motorized switch fuses

Dimensional drawings

OSM315...400_M_



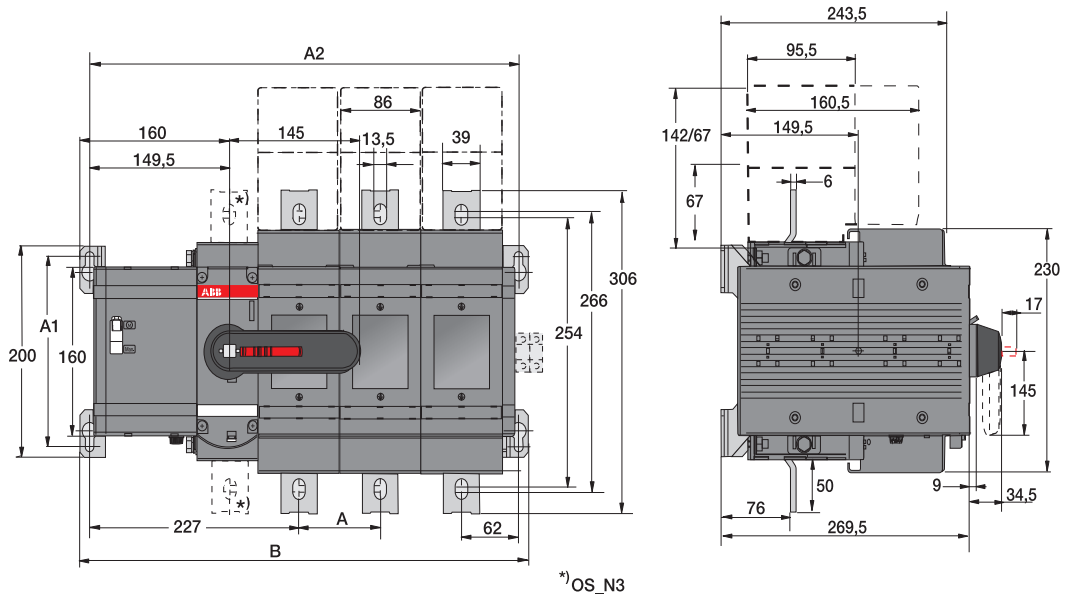
| OSM315_M_ | | |
|-----------|-------|-------|
| [mm] | B3 | B4 |
| A | 64 | 64 |
| A1 | 136 | 136 |
| A2 | 382 | 446 |
| B | 404 | 468 |
| C | 194 | 194 |
| D | 178,5 | 178,5 |

| OSM400_M_ | | | | |
|-----------|-------|-------|-------|-------|
| [mm] | B3 | B4 | D3 | D4 |
| A | 64 | 64 | 64 | 64 |
| A1 | 136 | 136 | 136 | 136 |
| A2 | 382 | 446 | 382 | 446 |
| B | 404 | 468 | 404 | 468 |
| C | 194 | 194 | 166 | 166 |
| D | 178,5 | 178,5 | 196,5 | 196,5 |

Motorized switch fuses

Dimensional drawings

OSM630...800_M_



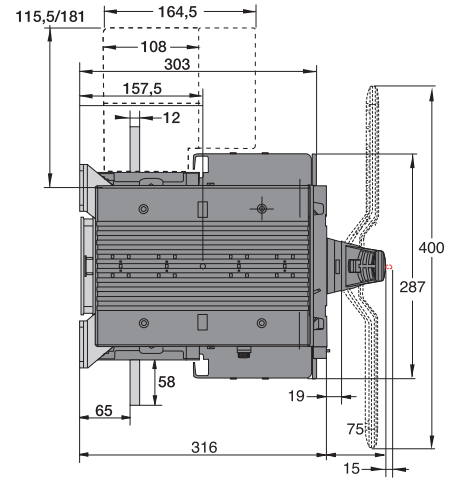
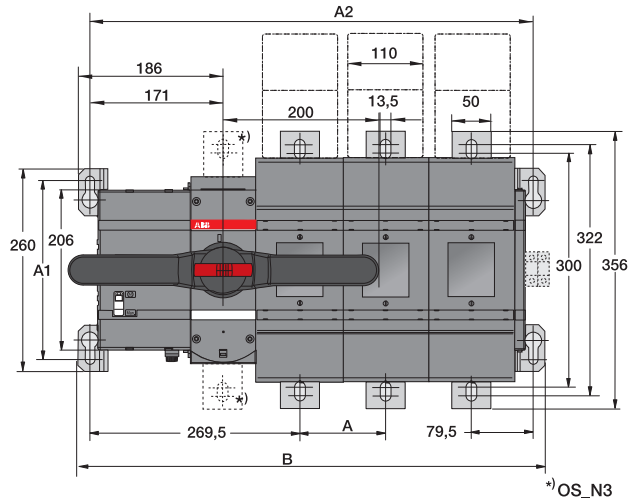
| OSM630-800_M_ | | |
|---------------|-------|-------|
| [mm] | D3/B3 | D4/B4 |
| A | 88 | 88 |
| A1 | 180 | 180 |
| A2 | 465,5 | 553,5 |
| B | 486,5 | 574,5 |

M00206 / OSM639-800-M B

Motorized switch fuses

Dimensional drawings

OSM1250_M_



OSM1250_M_

| [mm] | B3/D3 | B4/D4 |
|------|-------|-------|
| A | 110 | 110 |
| A1 | 230 | 230 |
| A2 | 569,5 | 679,5 |
| B | 599,5 | 709,5 |

M00238 / OSM1250-M C

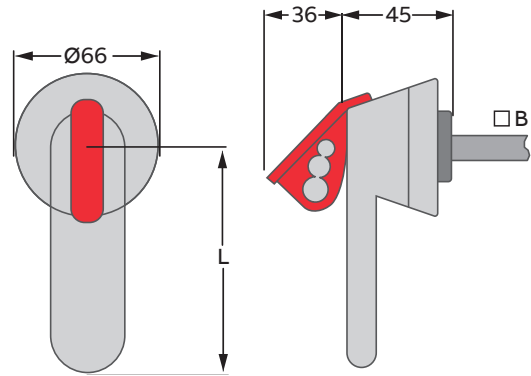
Accessories for switch fuses 20...1250 A

Dimensional drawings for handles

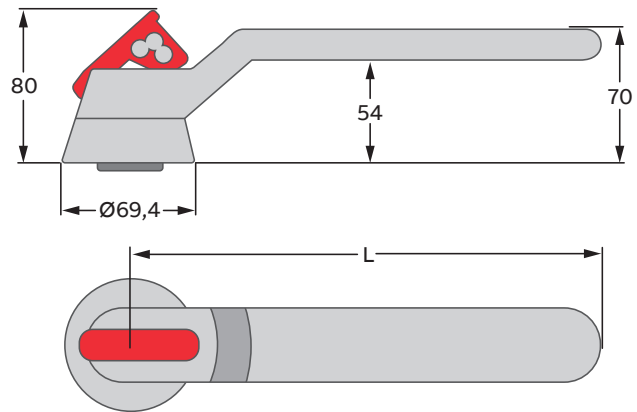
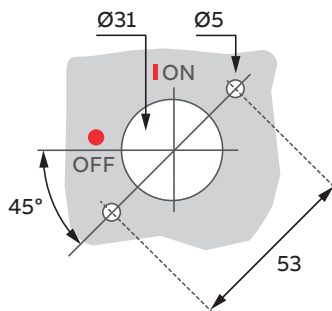
Plastic handles

| Handle type [mm] | Shaft diameter B | Length L |
|------------------|------------------|----------|
| OH_45J6 | 6 | 45 |
| OH_65J6 | 6 | 65 |
| OH_95J12 | 12 | 95 |
| OH_125J12 | 12 | 125 |
| OH_145J12 | 12 | 145 |
| OH_175J12 | 12 | 175 |
| OH_275J12 | 12 | 275 |

| Handle type [mm] | Length L |
|------------------|----------|
| OH_274J12 | 274 |
| OH_330J12 | 330 |



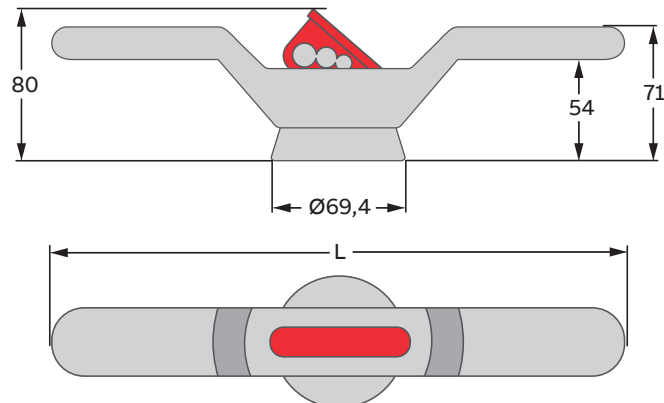
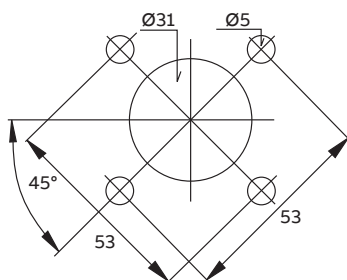
Door drilling for OH_handles:



Plastic handles, type OHB

| Handle type [mm] | Length L |
|------------------|----------|
| OHB150J12P | 300 |
| OHB200J12P | 400 |

Door drilling for OHB_handles:



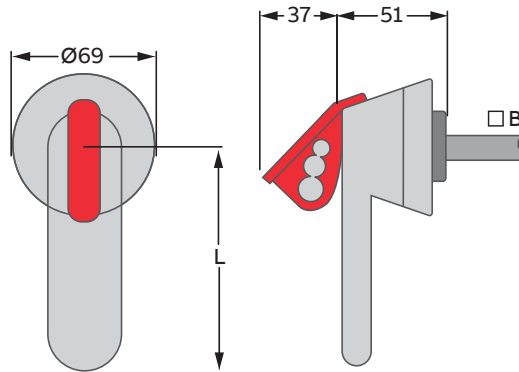
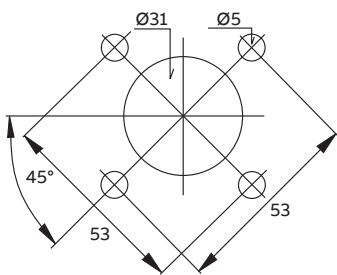
Accessories for switch fuses 20...1250 A

Dimensional drawings for handles

Stainless steel handles

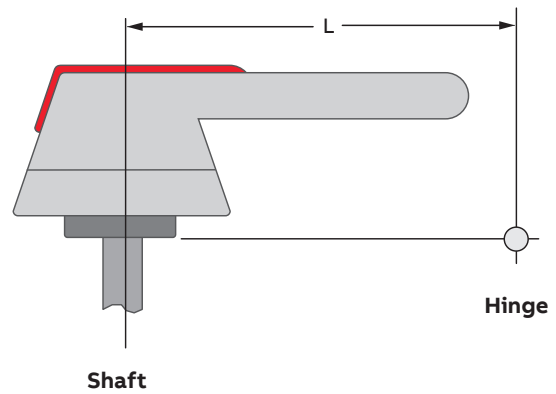
| Handle type | B shaft diameter [mm] | Length L [mm] |
|-------------|-----------------------|---------------|
| OHM45L6 | 6 | 45 |
| OHM65L6 | 6 | 65 |
| OHM125L12 | 12 | 125 |
| OHM175L12 | 12 | 175 |
| OHM275L12 | 12 | 275 |

Door drilling for OHM_ handles:



Minimum distance L between the hinge and the rotating shaft

| Sizes [A] | Length L [mm] | Handle type |
|-------------|---------------|----------------------|
| 30...250 | 60 | OH_65J6 |
| 315...400 | 95 | OH_95J12 |
| 630...800 | 150 | OH_125J12, OH_145J12 |
| 630...800 | 175 | OH_175J12 |
| 630...800 | 275 | OH_275J12 |
| 1200...1250 | 274 | OH_274J12 |
| 1200...1250 | 330 | OH_330J12 |



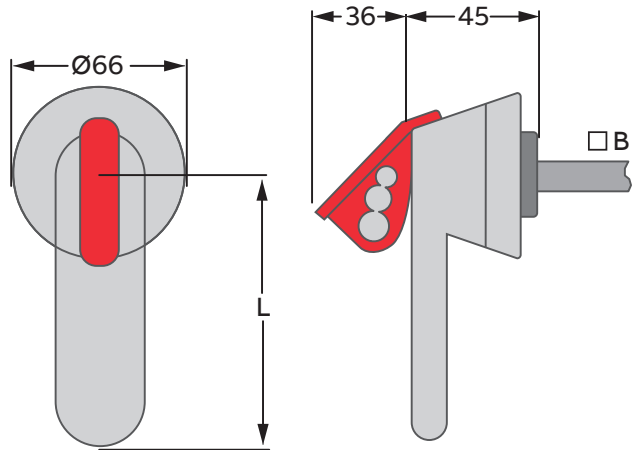
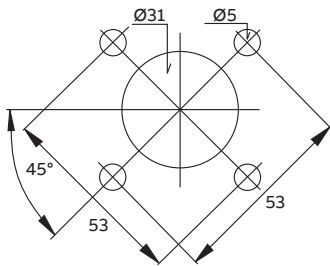
Accessories for switch fuses 20...1250 A

Dimensional drawings for handles

Plastic handles

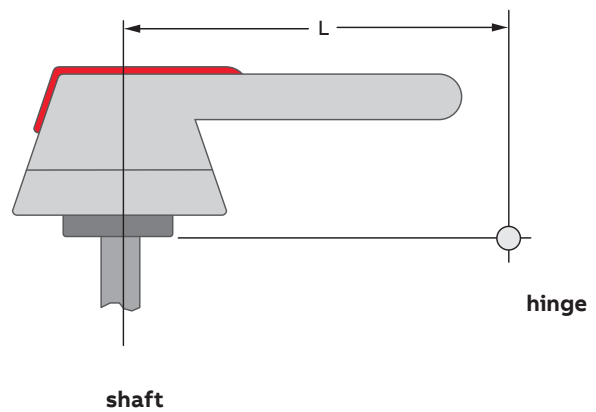
| Handle type [mm] | Shaft diameter B | Length L |
|------------------|------------------|----------|
| OH_45J6 | 6 | 45 |
| OH_65J6 | 6 | 65 |
| OH_80J6 | 6 | 80 |

Door drilling for OHM_handles:



Minimum distance L between the hinge and the rotating shaft

| Sizes [A] | Length L [mm] | Handle type |
|-----------|---------------|-------------|
| 30...250 | 60 | OH_65J6 |

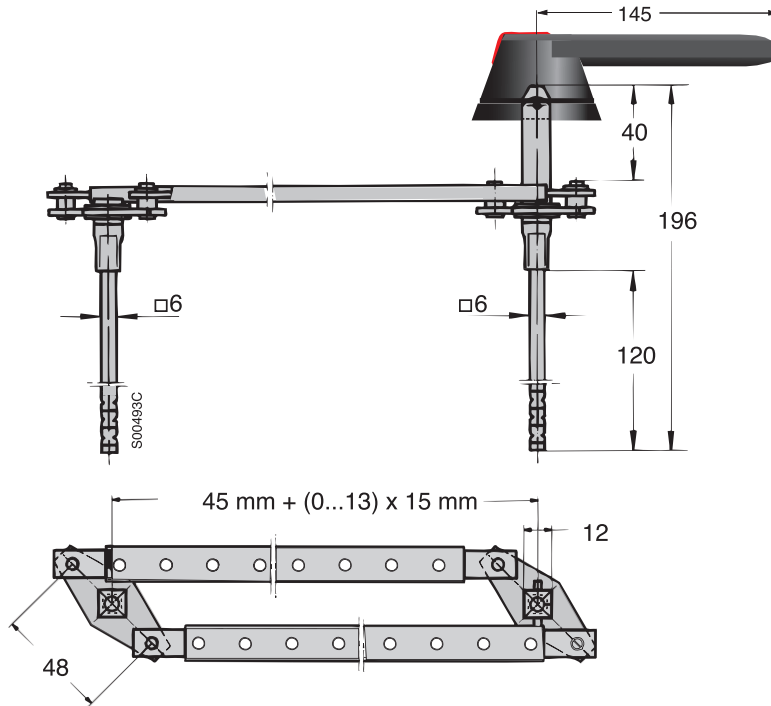


Accessories for switch fuses 20...1250 A

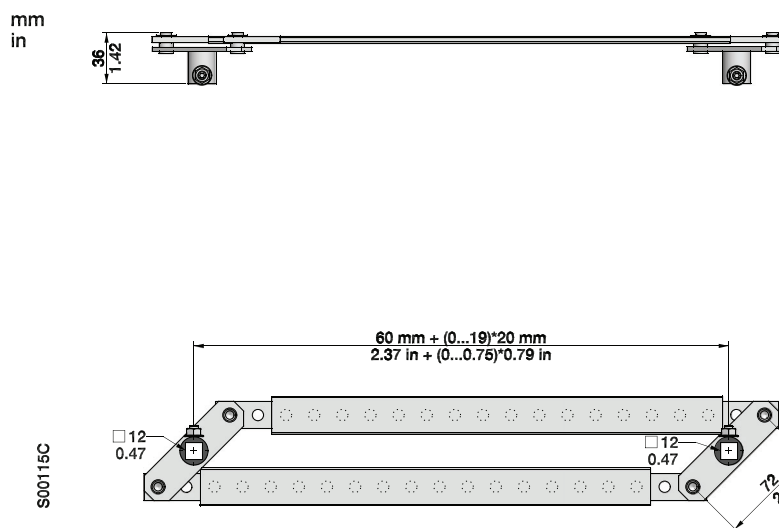
Dimensional drawings for conversion kits

6 and 8-pole switch fuses

OESAZW2



OETLW9

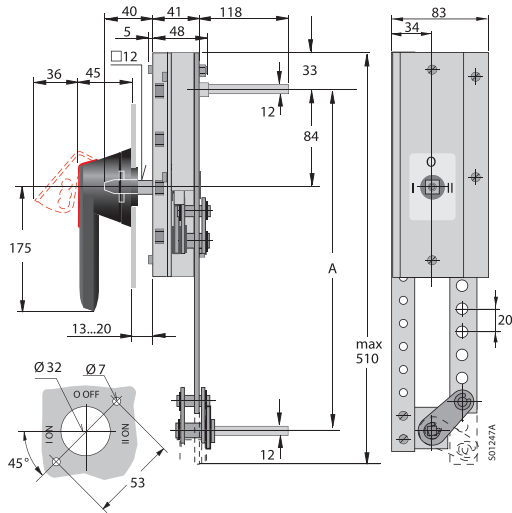


Accessories for switch fuses 20...1250 A

Dimensional drawings for conversion kits

Change-over switch fuses

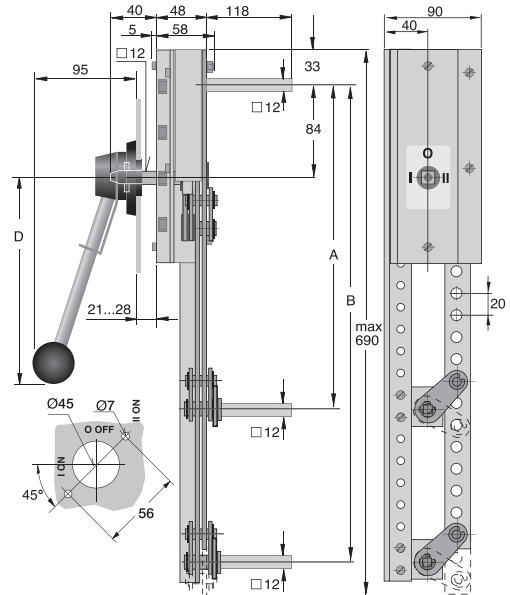
OETLZW11



OFTLZW11

A $210+(0...11) \times 20 \text{ mm}$

OETLZW12

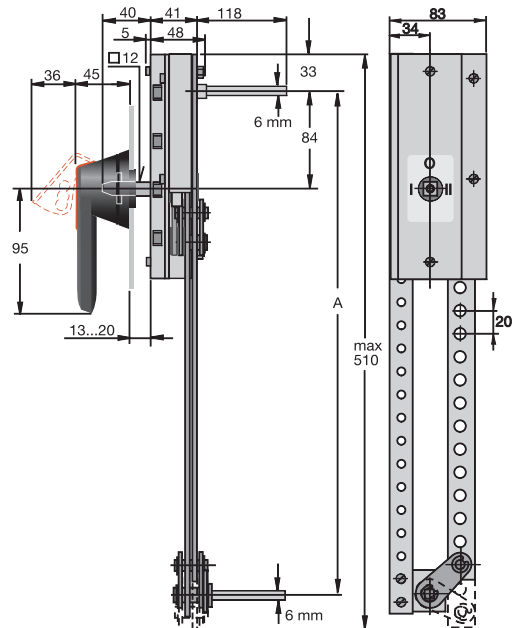


OFTLZW12

A $210+(0...18) \times 20 \text{ mm}$

D 220 mm

OTZW 25



OTZW25

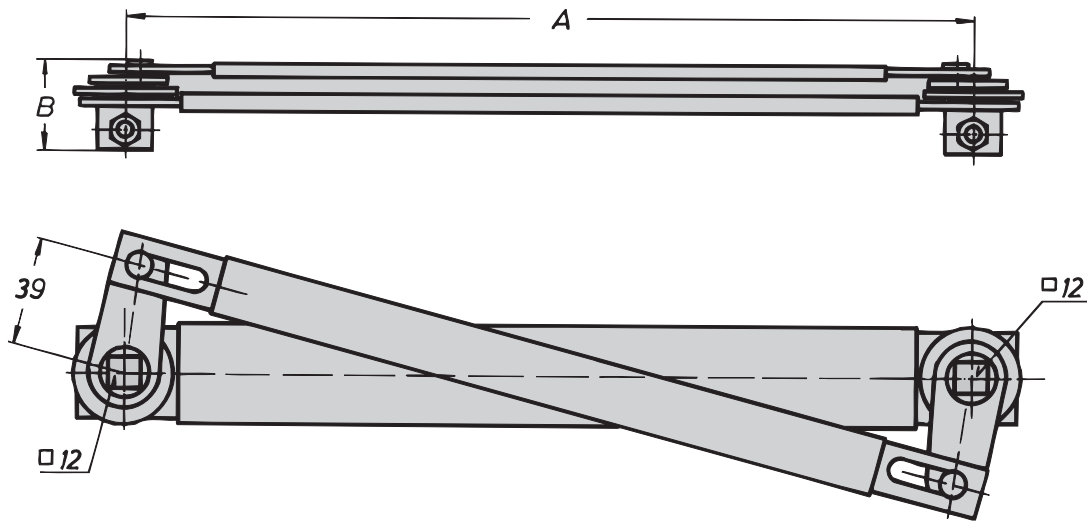
A $210+(0...18) \times 20 \text{ mm}$

Accessories for switch fuses 20...1250 A

Dimensional drawings for conversion kits

Mechanical interlock

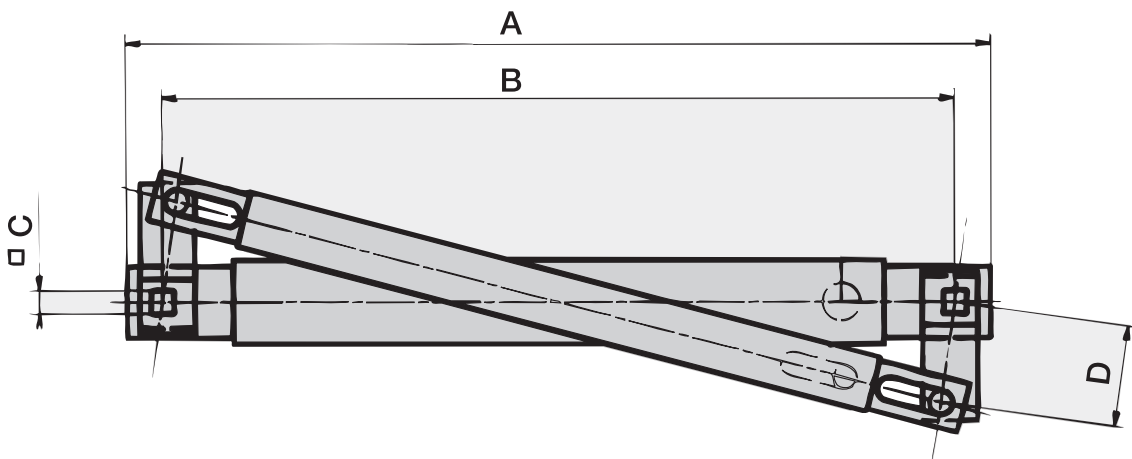
OTZW10



OETLZX3, 14, 15

| | OETLZW3 | OETLZW14 | OETLZW15 |
|---|---------|----------|----------|
| A | 300 | 250 | 500 |
| B | 31 | 31 | 36 |

OTZW10



OTZW10

| | |
|---|-----|
| A | 206 |
| B | 190 |
| C | 6 |
| D | 30 |



099

TEL 22

88:88

深圳北站欢迎您

| 车次 | 站名 | 到站时间 | 发车时间 |
|-------|-----|-------|-------|
| G1001 | 深圳北 | 08:00 | 08:15 |
| G1001 | 惠州 | 08:45 | 09:00 |
| G1001 | 河源 | 09:30 | 09:45 |
| G1001 | 梅州 | 10:15 | 10:30 |
| G1001 | 赣州 | 11:00 | 11:15 |
| G1001 | 南昌 | 11:45 | 12:00 |
| G1001 | 长沙 | 12:30 | 12:45 |
| G1001 | 武汉 | 13:15 | 13:30 |
| G1001 | 北京南 | 14:00 | 14:15 |

88:88

| 车次 | 站名 | 到站时间 | 发车时间 |
|-------|-----|-------|-------|
| G1001 | 深圳北 | 08:00 | 08:15 |
| G1001 | 惠州 | 08:45 | 09:00 |
| G1001 | 河源 | 09:30 | 09:45 |
| G1001 | 梅州 | 10:15 | 10:30 |
| G1001 | 赣州 | 11:00 | 11:15 |
| G1001 | 南昌 | 11:45 | 12:00 |
| G1001 | 长沙 | 12:30 | 12:45 |
| G1001 | 武汉 | 13:15 | 13:30 |
| G1001 | 北京南 | 14:00 | 14:15 |

天然弱碱性水

源自广东万绿湖

天然弱碱性水

天然弱碱性水

Switch fuses

Marketing material

Webpage: Manual operated switch fuses
 Homepage for Manual operated switch fuses.



new.abb.com/low-voltage/products/switches/manual-operated-switch-fuses

Webpage: Motorized switch fuses
 Homepage for Motorized switch fuses.



new.abb.com/low-voltage/products/switches/motor-operated-switch-fuses

Catalog: Switch fuses
 Switch fuses -catalog with complete ordering information.



Document ID: 1SCC311013C0201

Catalog: Fuse links
 Fuse links -catalog with complete ordering information.



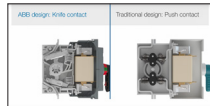
Document ID: 1SCC317001C0201

Coordination tables
 Test proven type 2 coordination tables where you can easily select the appropriate ABB components for motor starting and protection.



<https://www.lowvoltage-tools.abb.com/soc/>

Video
 World class performance in the most demanding applications.



youtu.be/I6h8UvbVxAA

Switch fuses

Marketing material

Blog

What's inside counts.



www.abb-conversations.com/2017/05/whats-inside-counts/

Customer case: Pogliano

Supplying busbar trunking systems to the world.



<https://new.abb.com/low-voltage/news/pogliano>

ABB Oy
Smart Power
P.O. Box 622
FI-65101 Vaasa, Finland
Phone: +358 10 22 11
Fax: +358 10 22 45708

www.abb.com

Find the address of your local sales organization on the ABB homepage:

www.abb.com/contacts
> Low Voltage Products and Systems

Note: We reserve the right to make technical changes or modify the contents of this document without prior notice. With regard to purchase orders, the agreed particulars shall prevail. ABB does not accept any responsibility whatsoever for potential errors or possible lack of information in this document.

We reserve all rights in this document and in the subject matter and illustrations contained therein. Any reproduction, disclosure to third parties or utilization of its contents – in whole or in parts – is forbidden without prior written consent of ABB.



OSIGE 24-06, 1SCC311013C0201