



SafeLine

**Enclosed
Load Break Switches**

Contents:

Technical data	8
Ordering Information	
Plastic enclosed load break switches, IP 65	
- 3-pole	9
- 3-pole, installation switches	10
- 4-pole	10
- 6-pole	11
Steel sheet enclosed load break switches	
- 3-pole, IP 54	12
- 3-pole, IP 65	13
- 3-pole, change over switches	14
Steel sheet enclosed load break switches with capacitor for power factor correction	15
Accessories, Auxiliary contacts	16
Dimension drawings	17-20
Enclosed switch fuses	21-30
Enclosure accessories	31-35

Ordering information for cable entries from bottom and 4-pole and 6-pole switches on request.

SafeLine

Enclosed Load Break Switches

Technical Data, according to IEC 947-3

Enclosed load break switch size

		OTP_/OT_							OT_		
		A	16	25	32	45	63	80	125E	125D	125 A
Rated insulation voltage and rated operational voltage AC20/DC20	Pollution degree 3	V	750	750	750	750	750	750	750	750	750
Rated thermal current and rated operational current AC20/DC20 / ambient 40°C / ambient 60°C		A	25	32	40	50	63	80	125	125	135
		A	25	32	40	50	63	80	125	100	125
Rated operational current, AC-21A and AC-22A	up to 500 V	A	16	25	32	45	63	80	125	125	125
	690 V	A	16	25	32	45	63	63	125	80	125
Rated operational current, AC-23A	up to 415 V	A	16	20	23	30	38	55	90	75	105
	440 V	A	16	20	23	30	32	51	78	60	90
	500 V	A	16	20	23	30	32	32	70	56	70
	690 V	A	10	11	12	20	20	20	50	35	50
Rated fused short-circuit current	rms.	kA	50	50	50	50	50	50	50	50	50
...with back-up fuse size (IEC 408)		A	25	32	40	50	63	80	125	125	200
Cable size*	Cu-wire size suitable for terminal	mm ²	0,75-10	0,75-10	0,75-10	1,5-25	1,5-25	1,5-50	10-70	10-70	10-70
Used switch type			OT 16E_	OT 25E-	OT 32E_	OT 45E_	OT 63E_	OT 80E_	OT 125E_	OETL 125D	OT 125A_

Enclosed load break switch size

		A	OT_									
			160	200	250	315	400	630	800	1000	1250	1600
Rated insulation voltage and rated operational voltage AC20/DC20	Pollution degree 3	V	750	1000	1000	1000	1000	1000	1000	1000	1000	1000
Rated thermal current and rated operational current AC20/DC20 / ambient 40°C / ambient 60°C	In enclosure	A	160	200	270	315	500	630	720	1000	1250	1600
	In enclosure	A	160	175	220	260	410	500	600	900	1000	1250
...with minimum conductor cross section	Cu mm ²		70	95	120	185	2x150	2x185	2x240	2x(60x5)	2x(80x5)	2x(100x5)
Rated operational current, AC-21A and AC-22A	up to 500 V	A	160	200	250	315	500	630	800	1000	1250	1600
	690 V	A	160	200	250	315	500	630	800			
	1000 V	A		200	250	250	400	400	400			
Rated operational current, AC-23A	up to 415 V	A	135	200	250	315	500	630	720	800	800	800
	440 V	A	125	200	250	315	500	590	670	800	800	800
	500 V	A	125	200	250	315	500	580	600	800	800	800
	690 V	A	80	200	250	315	350	350	350			
Rated fused short-circuit current	rms.	kA	50	100	100	100	100/50	80/50	80	50	50	50
...with back-up fuse size (IEC 408)		A	250	400	400	400	400/630	630/800	800	800	1000	1250
Cable size*	Cu-wire size suitable for terminal clamps	mm ²	10-70									
Terminal bolt size*	Metric thread diameter x length	mm		8x25	10x30	10x30	10x40	12x40	12x40	12x60	12x60	12x60
Used switch type			OT 160E_	OETL 200K_	OETL 250K_	OETL 315K_	OETL 400D_	OETL 630K_	OETL 800K_	OETL 1000K_	OETL 1250K_	OETL 1600K_

* For load break switch

More information about load break switches, see our brochure OETL 1A GB

SafeLine

Enclosed Load Break Switches

Ordering Information



Plastic enclosed load break switches, grey enclosure, 3-pole, IP65

Cable entries from top and bottom

Type	Rated operational ¹⁾ current [A]			Cable outlets / side	Enclosure W / H / D [mm]	Weight [kg]	Ordering number
	AC-22A 500V	AC-23A 415V	AC-23A 500V				

Includes selector type black handle (O-I and ON-OFF indication), N- and PE-terminals. In type OTP 16B3P includes also membrane cable glands (2 pcs) and pull stoppers (2 pcs).

OTP16B3M	16	16	16	2xM20	85 / 120 / 60	0.40	1SCA022383R2130
OTP16B3P	16	16	16	2xPg16	85 / 120 / 60	0.40	1SCA022383R0940

Includes selector-type rectangular black handle (O-I and ON-OFF indication), N- and PE-terminals.

Threaded knock-outs, compression glands have to be ordered separately

OTP25B3M	25	20	20	2xM25 + M16	130 / 150 / 60	0.5	1SCA022383R2640
OTP25B3P	25	20	20	2xPg21+Pg11	130 / 150 / 60	0.5	1SCA022383R2560
OTP32B3M	32	23	23	2xM25 + M16	130 / 150 / 60	0.5	1SCA022389R8400
OTP32B3P	32	23	23	2xPg21 + Pg11	130 / 150 / 60	0.5	1SCA022389R7510
OTP45B3M	45	30	30	2xM32 + M16	145 / 200 / 90	0.9	1SCA022383R3020
OTP45B3P	45	30	30	2xPg29 + Pg11	145 / 200 / 90	0.9	1SCA022383R2990
OTP63B3M	63	38	32	2xM32 + M16	145 / 200 / 90	0.9	1SCA022383R3450
OTP63B3P	63	38	32	2xPg29 + Pg11	145 / 200 / 90	0.9	1SCA022383R3370

Knock-out flanges, flanges have to be ordered separately

OTP80B3B	80	55	32	Flange I	200 / 400 / 140	2.40	1SCA022389R7690
OTP80B3U	80	55	32	-	200 / 400 / 140	2.40	1SCA022401R3190
OTP125B3B	125	90	70	Flange I	200 / 400 / 140	2.40	1SCA022383R3700
OTP125B3U	125	90	70	-	200 / 400 / 140	2.40	1SCA022401R3270

Includes selector-type rectangular red-yellow handle (O-I and ON-OFF indication), N- and PE-terminals. In type OTP 16BA3P includes also membrane cable glands, (2 pcs) and pull stoppers (2pcs).

OTP16BA3M	16	16	16	2xM20	85 / 120 / 60	0.40	1SCA022401R3350
OTP16BA3P	16	16	16	2xPg16	85 / 120 / 60	0.40	1SCA022389R6880

Includes selector-type rectangular red-yellow handle (O-I and ON-OFF indication), N- and PE-terminals.

Threaded knock-outs, compression glands have to be ordered separately

OTP25BA3M	25	20	20	2xM25 + M16	130 / 150 / 60	0.50	1SCA022401R3430
OTP25BA3P	25	20	20	2xPg21+Pg11	130 / 150 / 60	0.50	1SCA022389R6960
OTP32BA3M	32	23	23	2xM25 + M16	130 / 150 / 60	0.50	1SCA022401R3510
OTP32BA3P	32	23	23	2xPg21+Pg11	130 / 150 / 60	0.50	1SCA022389R7000
OTP45BA3M	45	30	30	2xM32 + M16	145 / 200 / 90	0.90	1SCA022401R3600
OTP45BA3P	45	30	30	2xPg29 + Pg11	145 / 200 / 90	0.90	1SCA022389R7180
OTP63BA3M	63	38	32	2xM32 + M16	145 / 200 / 90	0.90	1SCA022401R3780
OTP63BA3P	63	38	32	2xPg29 + Pg11	145 / 200 / 90	0.90	1SCA022389R7260

Knock-out flanges, flanges have to be ordered separately

OTP80BA3B	80	55	32	Flange I	200 / 400 / 140	2.40	1SCA022389R7340
OTP80BA3U	80	55	32	-	200 / 400 / 140	2.40	1SCA022401R3860
OTP125BA3B	125	90	70	Flange I	200 / 400 / 140	2.40	1SCA022389R7420
OTP125BA3U	125	90	70	-	200 / 400 / 140	2.40	1SCA022401R3940

Includes pistol-type black handle (O-I and ON-OFF indication), N- and PE-terminals.

Knock-out flanges, flanges have to be ordered separately

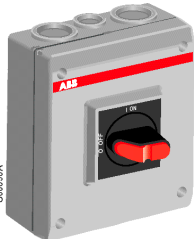
OT160EFCC3B	160	135	125	Flange II	280 / 380 / 130	5.4	1SCA022278R7030
OT200KFCC3B	200	200	200	Flange II	280 / 560 / 180	9	1SCA022278R1510
OT250KFCC3B	250	250	250	Flange II	280 / 560 / 180	9	1SCA022278R2150
OT315KFCC3B	315	315	315	Flange II	380 / 560 / 180	9	1SCA022278R2740
OT400DFCC3B	400	400	400	Flange II	380 / 840 / 180	16	1SCA022278R3390
OT630KFCC3B	630	630	580	Flange II	380 / 840 / 180	20	1SCA022278R3980
OT800KFCC3B	720	720	600	2xFlange II	560 / 760 / 250	20	1SCA022303R0310

¹⁾ Other voltages up to 690V, see technical data, page 8.

See Enclosure Accessories, pages 31...35.



OTP 16B_



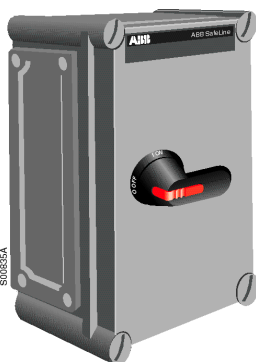
OTP 25...32B_



OTP 45...63B_



OTP 80...125B_



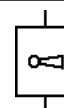
OTP 160...800

SafeLine

Enclosed Load Break Switches

Ordering Information

Plastic enclosed installation switches, white enclosure, 3-pole, IP65

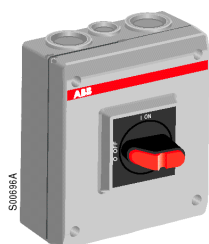


OTP 16H_

Cable entries from top and bottom

Type	Rated operational ¹⁾ current [A]			Cable outlets / side	Enclosure W / H / D [mm]	Weight [kg]	Ordering number
	AC-22A 500V	AC-23A 415V	AC-23A 500V				
OTP16HB3M	16	16	16	2xM20	85 / 120 / 60	0.40	1SCA022401R2970
OTP16HB3P	16	16	16	2xPg16	85 / 120 / 60	0.40	1SCA022389R6700
OTP16HB3U	16	16	16	-	85 / 120 / 60	0.40	1SCA022401R3010

Includes **white round handle (O-I and ON-OFF indication)**, N- and PE-terminals and in type OTP 16HB3P membrane cable glands (2 pcs) and pull stoppers (2pcs).



OTP 16...32B_

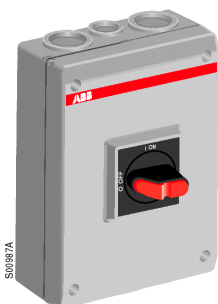
Plastic enclosed load break switches, grey enclosure, 4-pole, IP65



Cable entries from top and bottom

Type	Rated operational ¹⁾ current [A]			Cable outlets / side	Enclosure W / H / D [mm]	Weight [kg]	Ordering number
	AC-22A 500V	AC-23A 415V	AC-23A 500V				
OTP16B4M	16	16	16	2xM25 + M16	130 / 150 / 60	0.60	1SCA022401R4160
OTP16B4P	16	16	16	2xPg21+Pg11	130 / 150 / 60	0.60	1SCA022419R8620
OTP25B4M	25	20	20	2xM25 + M16	130 / 150 / 60	0.60	1SCA022401R4320
OTP25B4P	25	20	20	2xPg29 + Pg11	130 / 150 / 60	0.60	1SCA022401R4240
OTP32B4M	32	23	23	2xM25 + M16	130 / 150 / 60	0.60	1SCA022401R4590
OTP32B4P	32	23	23	2xPg21+Pg11	130 / 150 / 60	0.60	1SCA022401R4410
OTP45B4M	45	30	30	2xM32 + M16	145 / 200 / 90	1.00	1SCA022401R4750
OTP45B4P	45	30	30	2xPg29 + Pg11	145 / 200 / 90	1.00	1SCA022401R4670
OTP63B4M	63	38	32	2xM32 + M16	145 / 200 / 90	1.00	1SCA022401R4910
OTP63B4P	63	38	32	2xPg29 + Pg11	145 / 200 / 90	1.00	1SCA022401R4830

Includes **selector-type rectangular black handle (O-I and ON-OFF indication)**, N- and PE-terminals Threaded knock-outs, compression glands have to be ordered separately



OTP 45...63B_

Knock-out flanges, flanges have to be ordered separately

OTP80B4B	80	55	32	Flange I	200 / 400 / 140	2.50	1SCA022401R5050
OTP80B4U	80	55	32	-	200 / 400 / 140	2.50	1SCA022401R5130
OTP125B4B	125	90	70	Flange I	200 / 400 / 140	2.50	1SCA022401R5210
OTP125B4U	125	90	70	-	200 / 400 / 140	2.50	1SCA022401R5300

Includes **selector-type rectangular red-yellow handle (O-I and ON-OFF indication)**, N- and PE-terminals

Threaded knock-outs, compression glands have to be ordered separately

OTP16BA4P	16	16	16	2xPg21+Pg11	130 / 150 / 60	0.60	1SCA022401R4080
OTP25BA4P	25	20	20	2xPg21+Pg11	130 / 150 / 60	0.70	1SCA022433R8140
OTP32BA4P	32	23	23	2xPg21+Pg11	130 / 150 / 60	0.80	1SCA022433R8220

¹⁾ Other voltages up to 690V, see technical data, page 8.

See Enclosure Accessories, pages 31...35.



OTP 80...125B_

SafeLine

Enclosed Load Break Switches

Ordering Information



Plastic enclosed load break switches, grey enclosure, 6-pole, IP65

Cable entries from top and bottom

Type	Rated ¹⁾ operational current [A]			Cable outlets / side	Enclosure W / H / D [mm]	Weight [kg]	Ordering number
	AC 22A 500V	AC 23A 415V	AC 23A 500V				

Includes selector-type rectangular black handle (O-I and ON-OFF indication), N- and PE-terminals

Threaded knock-outs, compression glands have to be ordered separately

OTP16B6M	16	16	16	2xM25 + M16	130 / 150 / 85	0.70	1SCA022401R5560
OTP16B6P	16	16	16	2xPg21+Pg11	130 / 150 / 85	0.70	1SCA022401R5480
OTP25B6M	25	20	20	2xM25 + M16	130 / 150 / 85	0.70	1SCA022401R5720
OTP25B6P	25	20	20	2xPg21 + Pg11	130 / 150 / 85	0.70	1SCA022401R5640
OTP32B6M	32	23	23	2xM25 + M16	130 / 150 / 85	0.70	1SCA022401R5990
OTP32B6P	32	23	23	2xPg21+Pg11	130 / 150 / 85	0.70	1SCA022401R5810

Includes pistol-type black handle (O-I and ON-OFF indication), N- and PE-terminals

Threaded knock-outs, compression glands have to be ordered separately

OTP45B6M	45	30	30	2xM32 + M16	145 / 200 / 90	1.60	1SCA022401R6110
OTP45B6P	45	30	30	2xPg29 + Pg11	145 / 200 / 90	1.60	1SCA022401R6020
OTP63B6M	63	38	32	2xM32 + M16	145 / 200 / 90	1.60	1SCA022401R6370
OTP63B6P	63	38	32	2xPg29 + Pg11	145 / 200 / 90	1.60	1SCA022401R6290

Knock-out flanges, flanges have to be ordered separately

OTP80B6B	80	55	32	Flange I	200 / 400 / 140	3.20	1SCA022401R6450
OTP80B6U	80	55	32	-	200 / 400 / 140	3.20	1SCA022401R6530
OTP125B6B	125	90	70	Flange I	200 / 400 / 140	3.20	1SCA022401R6610
OTP125B6U	125	90	70	-	200 / 400 / 140	3.20	1SCA022401R6700

Includes selector-type rectangular red-yellow handle (O-I and ON-OFF indication), N- and PE-terminals

Threaded knock-outs, compression glands have to be ordered separately

OTP16BA6M	16	16	16	2xM25 + M16	130 / 150 / 85	0.70	1SCA022401R6880
OTP16BA6P	16	16	16	2xPg21+Pg11	130 / 150 / 85	0.70	1SCA022394R5330
OTP25BA6M	25	20	20	2xM25 + M16	130 / 150 / 85	0.70	1SCA022401R6960
OTP25BA6P	25	20	20	2xPg21+Pg11	130 / 150 / 85	0.70	1SCA022394R5410
OTP32BA6M	32	23	23	2xM25 + M16	130 / 150 / 85	0.70	1SCA022401R7000
OTP32BA6P	32	23	23	2xPg21+Pg11	130 / 150 / 85	0.70	1SCA022394R5680

Includes pistol-type red-yellow handle (O-I and ON-OFF indication), N- and PE-terminals

Threaded knock-outs, compression glands have to be ordered separately

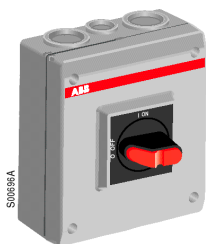
OTP45BA6M	45	30	30	2xM32 + M16	145 / 200 / 90	1.60	1SCA022401R7180
OTP45BA6P	45	30	30	2xPg29 + Pg11	145 / 200 / 90	1.60	1SCA022394R5840
OTP63BA6M	63	38	32	2xM32 + M16	145 / 200 / 90	1.60	1SCA022401R7260
OTP63BA6P	63	38	32	2xPg29 + Pg11	145 / 200 / 90	1.60	1SCA022394R5760

Knock-out flanges, flanges have to be ordered separately

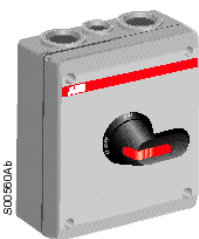
OTP80BA6B	80	55	32	Flange I	200 / 400 / 140	3.20	1SCA022401R7340
OTP80BA6U	80	55	32	-	200 / 400 / 140	3.20	1SCA022401R7420
OTP125BA6B	125	90	70	Flange I	200 / 400 / 140	3.20	1SCA022401R7510
OTP125BA6U	125	90	70	-	200 / 400 / 140	3.20	1SCA022401R7690

¹⁾ Other voltages up to 690V, see technical data, page 8.

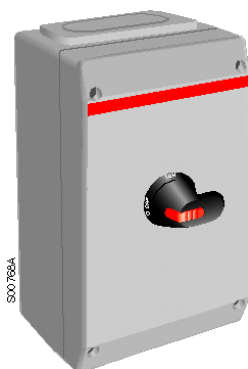
See Enclosure Accessories, pages 31...35.



OTP 16...32B_

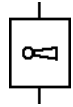


OTP 45...63B_



OTP 80...125B_

SafeLine Enclosed Load Break Switches Ordering Information



Steel sheet enclosed load break switches, grey enclosure, 3-pole, IP54

Cable entries from top and bottom

Type	Rated operational ¹⁾ current [A]			Cable outlets / side	Enclosure W / H / D [mm]	Weight [kg]	Ordering number
	AC 22A 500V	AC 23A 415V	AC 23A 500V				

Includes selector-type rectangular black handle (O-I and ON-OFF indication), N- and PE-terminals

Cable knock-outs as standard, compression glands have to be ordered separately

OT16ELMM3B	16	16	16	2x 20+ 16	162 / 240 / 110	1.6	1SCA022461R7960
OT16ELPP3B	16	16	16	2x 28,3+ 18,6	162 / 240 / 110	1.6	1SCA022461R8000
OT25ELMM3B	25	20	20	2x 25+ 16	162 / 240 / 110	1.6	1SCA022461R8180
OT25ELPP3B	25	20	20	2x 28,3+ 18,6	162 / 240 / 110	1.6	1SCA022461R8260
OT32ELMM3B	32	23	23	2x 25 + 16	162 / 240 / 110	1.6	1SCA022461R8340
OT32ELPP3B	32	23	23	2x 28,3 + 18,6	162 / 240 / 110	1.6	1SCA022461R8420
OT45ELMM3B	45	30	30	2x 32 + 16	162 / 240 / 110	2	1SCA022461R8510
OT45ELPP3B	45	30	30	2x 37 + 18,6	162 / 240 / 110	2	1SCA022461R8690
OT63ELMM3B	63	38	32	2x 32 + 16	162 / 240 / 110	2	1SCA022461R8770
OT63ELPP3B	63	38	32	2x 37 + 18,6	162 / 240 / 110	2	1SCA022461R8850

Cable knock-outs as standard, flanges have to be ordered separately

OT80ELBB3B	80	55	32	Flange B	233 / 350 / 140	5	1SCA022461R8930
OT125ELBB3B	125	90	70	Flange B	233 / 350 / 140	5	1SCA022461R9070

Delivery without cable entries, top and bottom sides are open. Cable entries for C-flanges or for ring-flanges have to be ordered separately, see accessories. These entries are used also for fixing these enclosed switches. Flanges have to be ordered separately, too.

Includes pistol type black handle (O-I and ON-OFF indication), N- and PE terminals.

Type	Rated operational ¹⁾ current [A]			Cable outlets per side Code for cable entry size, see accessories	Enclosure W / H / D [mm]	Weight [kg]	Ordering number
	AC-22A 500V	AC-23A 415V	AC-23A 500V				
OT125ALAA3B	125	105	70	① ²⁾	250/400/180	10	1SCA022302R5910
OT160ELAA3B	160	135	125	① ²⁾	250/400/180	10	1SCA022280R3410
OT200KLAA3B	200	200	200	②	400/600/230	17	1SCA022280R4060
OT250KLAA3B	250	250	250	②	400/600/230	17	1SCA022280R4650
OT315KLAA3B	315	315	315	②	400/600/230	17	1SCA022280R5200
OT400DLAA3B	500	500	500	②	400/800/230	23	1SCA022279R9710
OT630KLAA3B	630	630	580	②	400/1000/230	30	1SCA022280R0310
OT800KLAA3B	720	720	600	②	400/1000/230	30	1SCA022280R0910
OT1000KLAA3B	1000	800	800	④	800/1200/230	73	1SCA022370R3830
OT1250KLAA3B	1250	800	800	⑤	800/1200/330	90	1SCA022350R0640
OT1600KLAA3B	1600	800	800	⑤	800/1200/330	92	1SCA022437R8520

¹⁾ Other voltages up to 690V, see technical data, page 8.

²⁾ Only C-flanges available

① ... ⑤ see page 33

See Enclosure Accessories, pages 31...35.



OT 16...125E



OT 125A...1600

SafeLine

Enclosed Load Break Switches

Ordering Information



Steel sheet enclosed load break switches, grey enclosure, 3-pole, IP65

Cable entries from top and bottom

Type	Rated ¹⁾ operational current [A]			Cable outlets / side	Enclosure W / H / D [mm]	Weight [kg]	Ordering number
	AC-22A 500V	AC-23A 415V	AC-23A 500V				

Includes selector-type rectangular black handle (O-I and ON-OFF indication), N-, PE-terminals

Cable knock-outs as standard, compression glands have to be ordered separately

OT16ELMM3BZ	16	16	16	2x 20+	16	162 / 240 / 110	1.6	1SCA022461R9150
OT16ELPP3BZ	16	16	16	2x 28,3+	18,6	162 / 240 / 110	1.6	1SCA022461R9230
OT25ELMM3BZ	25	20	20	2x 25+	16	162 / 240 / 110	1.6	1SCA022461R9310
OT25ELPP3BZ	25	20	20	2x 28,3+	18,6	162 / 240 / 110	1.6	1SCA022461R9400
OT32ELMM3BZ	32	23	23	2x 25+	16	162 / 240 / 110	1.6	1SCA022461R9580
OT32ELPP3BZ	32	23	23	2x 28,3+	18,6	162 / 240 / 110	1.6	1SCA022461R9660
OT45ELMM3BZ	45	30	30	2x 32+	16	162 / 240 / 110	2	1SCA022461R9740
OT45ELPP3BZ	45	30	30	2x 37+	18,6	162 / 240 / 110	2	1SCA022461R9820
OT63ELMM3BZ	63	38	32	2x 32+	16	162 / 240 / 110	2	1SCA022461R9910
OT63ELPP3BZ	63	38	32	2x 37+	18,6	162 / 240 / 110	2	1SCA022462R0080

Cable knock-outs as standard, flanges have to be ordered separately

OT80ELBB3BZ	80	55	32	Flange B		233 / 350 / 140	5	1SCA022462R0160
OT125ELBB3BZ	125	90	70	Flange B		233 / 350 / 140	5	1SCA022462R0240

Delivery without cable entries, top and bottom sides are open. Cable entries for C-flanges or for ring-flanges have to be ordered separately, see accessories. These entries are used also for fixing these enclosed switches. Flanges have to be ordered separately, too.

Includes pistol type black handle (O-I and ON-OFF indication), N- and PE terminals.

Type	Rated operational ¹⁾ current [A]			Cable outlets per side Code for cable entry size, see accessories	Enclosure W / H / D [mm]	Weight [kg]	Ordering number
	AC-22A 500V	AC-23A 415V	AC-23A 500V				
OT125ALAA3BZ	125	105	70	① ²⁾	250/400/180	10	1SCA022302R6710
OT160ELAA3BZ	160	135	125	① ²⁾	250/400/180	10	1SCA022302R7100
OT200KLAA3BZ	200	200	200	②	400/600/230	17	1SCA022302R7520
OT250KLAA3BZ	250	250	250	②	400/600/230	17	1SCA022302R7950
OT315KLAA3BZ	315	315	315	②	400/600/230	17	1SCA022302R8330
OT400DLAA3BZ	500	500	500	②	400/800/230	23	1SCA022302R8760
OT630KLAA3BZ	630	630	580	②	400/1000/230	30	1SCA022302R9140
OT800KLAA3BZ	720	720	600	②	400/1000/230	30	1SCA022302R9570

¹⁾ Other voltages up to 690V, see technical data, page 8.

²⁾ Only C-flanges available

① ... ② see page 33

See Enclosure Accessories, pages 31...35.



OT 16...125E



OT 125A...800

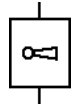
SafeLine

Enclosed Load Break Switches

Ordering Information

Steel sheet enclosed change-over switches, grey enclosure, 3-pole, IP54

Cable entries from top and bottom



OT 25...63

Type	Rated operational ¹⁾ current [A]			Cable outlets / side	Enclosure W / H / D [mm]	Weight [kg]	Ordering number
	AC-22A 500V	AC-23A 415V	AC-23A 500V				

Includes pistol-type rectangular black handle (I-O-II indication), N- and PE-terminals
Cable knock-outs as standard, compression glands have to be ordered separately

OT16ELMM3C	16	16	16	2x 25+ 16	233 / 350 / 140	1.9	1SCA022473R1070
OT16ELPP3C	16	16	16	2x 28,3+ 18,6	233 / 350 / 140	1.9	1SCA022473R1310
OT25ELMM3C	25	20	20	2x 25+ 16	233 / 350 / 140	1.9	1SCA022473R1580
OT25ELPP3C	25	20	20	2x 28,3+ 18,6	233 / 350 / 140	1.9	1SCA022473R1740
OT32ELMM3C	32	23	23	2x 25 + 16	233 / 350 / 140	1.9	1SCA022473R1910
OT32ELPP3C	32	23	23	2x 28,3 + 18,6	233 / 350 / 140	1.9	1SCA022473R2120
OT45ELMM3C	45	30	30	2x 32 + 16	233 / 350 / 140	4	1SCA022473R2390
OT45ELPP3C	45	30	30	2x 37 + 18,6	233 / 350 / 140	4	1SCA022473R2550
OT63ELMM3C	63	38	32	2x 32 + 16	233 / 350 / 140	4	1SCA022473R2710
OT63ELPP3C	63	38	32	2x 37 + 18,6	233 / 350 / 140	4	1SCA022473R2980

Delivery without cable entries, top and bottom sides are open. Cable entries for C-flanges or for ring-flanges have to be ordered separately, see accessories. These entries are used also for fixing these enclosed switches. Flanges have to be ordered separately, too.
Includes pistol type black handle (I-O-II indication), N- and PE terminals.



OT 125...800

Type	Rated operational ¹⁾ current [A]			Cable outlets per side Code for cable entry size, see accessories	Enclosure W / H / D [mm]	Weight [kg]	Ordering number
	AC-22A 500V	AC-23A 415V	AC-23A 500V				
OT125DLAA3C	125	75	56	① ²⁾	250/400/180	11	1SCA022280R1980
OT160ELAA3C	160	135	125	② ²⁾	400/400/230	11	1SCA022280R2100
OT200KLAA3C	200	200	200	④	800/600/230	31	1SCA022280R2360
OT250KLAA3C	250	250	250	④	800/800/230	36	1SCA022280R2520
OT315KLAA3C	315	315	315	④	800/800/230	36	1SCA022280R2790
OT400DLAA3C	500	500	500	④	800/800/230	39	1SCA022280R2950
OT630KLAA3C	630	630	580	④	800/1000/230	48	1SCA022280R3170
OT800KLAA3C	720	720	600	④	800/1000/230	48	1SCA022389R8310

¹⁾ Other voltages up to 690V, see technical data, page 8.

²⁾ Only C-flanges available

IP 65 available, please complete the type number with code Z.
 Ordering example for IP 65 enclosure: **OT 25ELPP3CZ**

① ... ④ see page 33

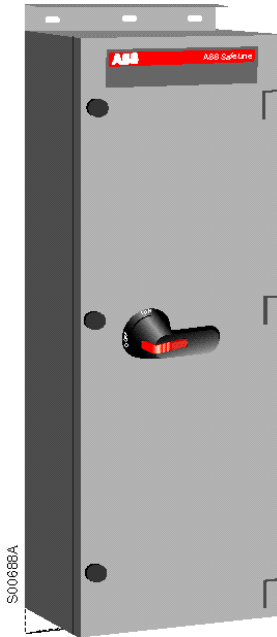
See Enclosure Accessories, pages 31...35.

SafeLine Enclosed Load Break Switches Ordering Information

Steel sheet enclosed load break switches with capacitor for power factor correction, IP54, 3 pole

Cable entry from bottom

REMARKS: The switches are delivered without cable entry on bottom side, it is open. Cable entry for C-flanges or for ring-flanges has to be ordered separately, see accessories. The entry is used also for fixing the enclosed switch. Flanges for the entry have to be ordered separately, too. Includes black handle with I-0/ON-OFF indication.



OT 125 ... 630

Type	For motor output [kW]	Capacitor size [kvar]	Voltage [V]	Size code for the cable entry	Weight [kg]	Ordering number
OT 125 DBUA3F-15/400	30/37	15	400	②	23	1SCA022280R3330
OT 125 DBUA3F-15/500	30/37	9	500		23	1SCA022280R3500
OT 125 DBUA3F-15/690	30	15	690		23	1SCA022280R3760
OT 200 KAUA3F-20/400	45/55	20	400	②	39	1SCA022280R3920
OT 200 KAUA3F-20/500	45/55	18	500		39	1SCA022280R4140
OT 200 KAUA3F-20/690	45/55	20	690		39	1SCA022280R4310
OT 200 KAUA3F-30/400	75	30	400	②	42	1SCA022280R4570
OT 200 KAUA3F-30/500	75	27	500		42	1SCA022280R4730
OT 200 KAUA3F-30/690	75	30	690		42	1SCA022280R4900
OT 200 KAUA3F-40/400	90	40	400	②	44	1SCA022280R5110
OT 200 KAUA3F-40/500	90	36	500		44	1SCA022280R5380
OT 200 KAUA3F-40/690	90	40	690		44	1SCA022280R5540
OT 250 KAUA3F-40/400	110	40	400	②	44	1SCA022280R5710
OT 250 KAUA3F-40/500	110	36	500		44	1SCA022280R5890
OT 250 KAUA3F-40/690	110	40	690		44	1SCA022280R6010
OT 250 KAUA3F-60/400	132	60	400	②	57	1SCA022280R6270
OT 250 KAUA3F-60/690	132	60	690		57	1SCA022280R6600
OT 400 DAUA3F-60/400	160	60	400	②	66	1SCA022280R6860
OT 400 DBUA3F-60/500	160	54	500	④	66	1SCA022280R7080
OT 400 DAUA3F-60/690	160	60	690	②	66	1SCA022280R7240
OT 400 DBUA3F-80/400	200	80	400	④	71	1SCA022280R7410
OT 400 DBUA3F-80/500	200	72	500		71	1SCA022280R7670
OT 400 DBUA3F-80/690	200	80	690		71	1SCA022280R7830
OT 630 KAUA3F-100/400	250	100	400	④	94	1SCA022280R8050
OT 630 KAUA3F-100/690	250	100	690		94	1SCA022280R8480
OT 630 KAUA3F-120/400	315	120	400	④	98	1SCA022280R8640
OT 630 KAUA3F-120/690	315	120	690		98	1SCA022280R9020

②...④ see page 33.

See enclosure accessories pages 31...35.

SafeLine

Accessories, Auxiliary Contacts

Ordering Information

Auxiliary contacts for enclosed load break switches OTP_ and OT16...125E

Remarks: the no auxiliary contacts break before the main contacts open - "early break"

Type	Description	For switches	Weight /pc [kg]	Package [pc]	Ordering number
OA 1G10	1no	OTP_	0.03	10	1SCA022353R4970
OA 1G01	1nc	OT16...125E ¹⁾	0.03	10	1SCA022353R4890

¹⁾ Not suitable for OT63D_

Technical data of OA_ auxiliary contacts:

- Cable cross section, max. 2 x 2.5 mm²
- Rated thermal current I_{th} = 16 A
- Operational currents I_o, AC 15 (IEC 947-5-1) = 230V/6A, 400V/4A, 415V/4A, 690V/2A

Auxiliary contacts for enclosed load break switches OT125A...1600

Protection degree IP20.

Type ²⁾	Description ³⁾	Performance I _o ¹⁾			For safety switch	Package [pc]	Ordering number
		U _o	AC 12	DC 12			
OBEA 10 OBEA 10 AU		120V 125V 240V	8A - 6A	- 1.1A -	OT 125A...160_	10	1SCA022190R3000 1SCA022185R3310
OBEA 01 OBEA 01 AU		250V 400V 415V	- 4A 4A	- 0.55A -			
OZ XK 13		440V 480V	- 3A	0.31A -	OT 200...315_	1	1SCA022144R7230
OZ XK 2		500V 600V 690V	3A 3A 2A	0.27A 0.2A -	OT 400...1600_	1	1SCA022131R8850
OZ XK 14					OT 200...315_	1	1SCA022144R7580
OZ XK 4					OT 400...1600_	1	1SCA022131R9230
OZ XK 15					OT 200...315_	1	1SCA022144R7310
OZ XK 5					OT 400...1600_	1	1SCA022131R9400

Remarks:

- the n.o. auxiliary contacts break before the main contacts open.

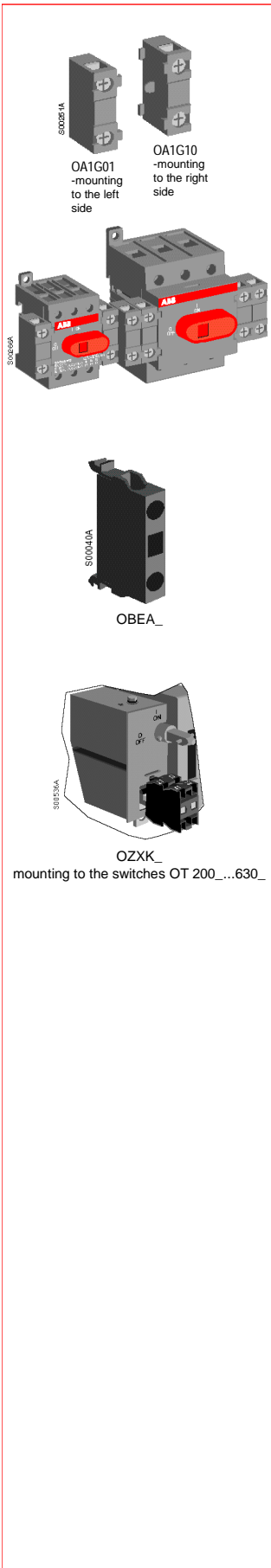
Technical data of OBEA and OZ XK_ auxiliary contacts:

- Cable cross section min 0.5 mm², max. 2 x 2.5 mm²
- Insulation voltage 690 V
- Rated thermal current I_{th} = 10 A

¹⁾ According to IEC 947-5-1

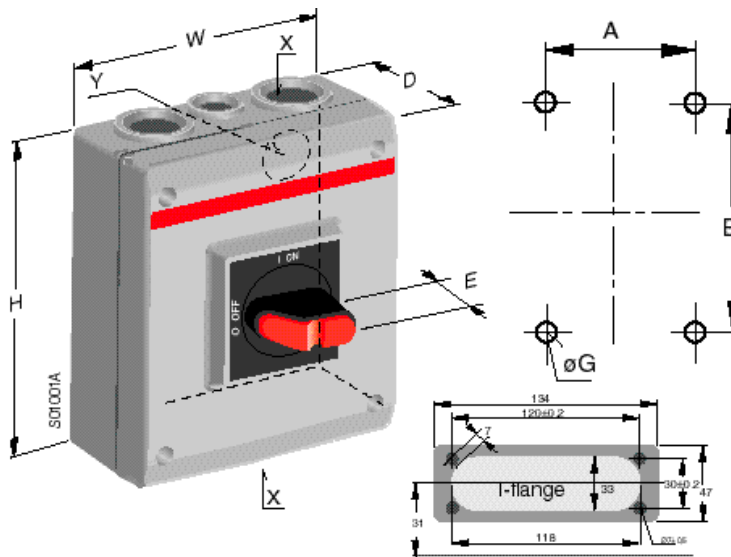
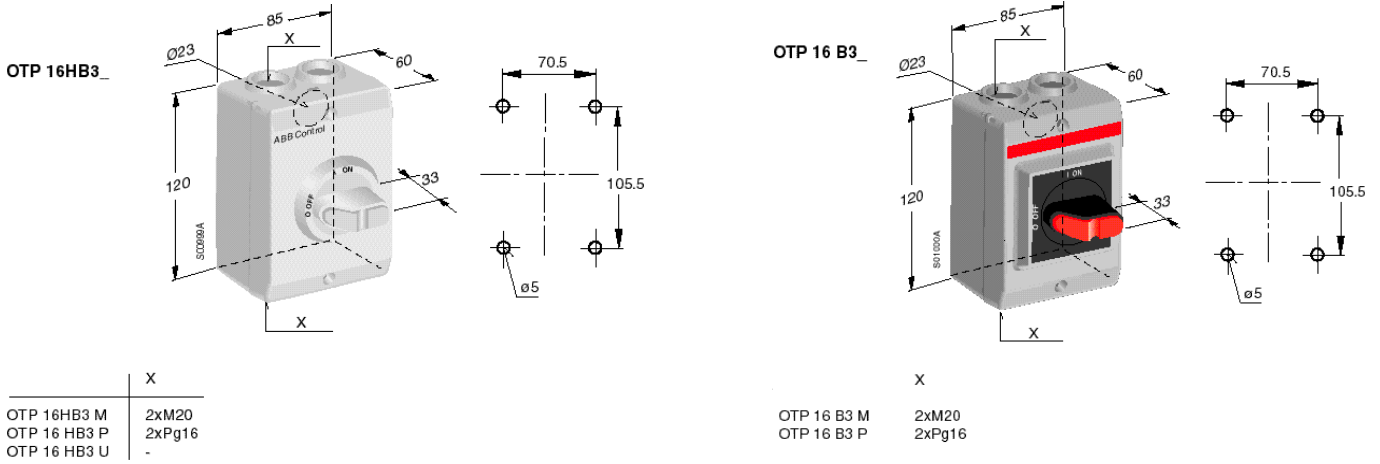
²⁾ Types AU_ for extremely difficult circumstances, even at low voltages. The contacts are gold plated.

³⁾ Contact numbering according to EN 50013.



SafeLine Enclosed Load Break Switches Dimension Drawings

Plastic enclosed load break switches



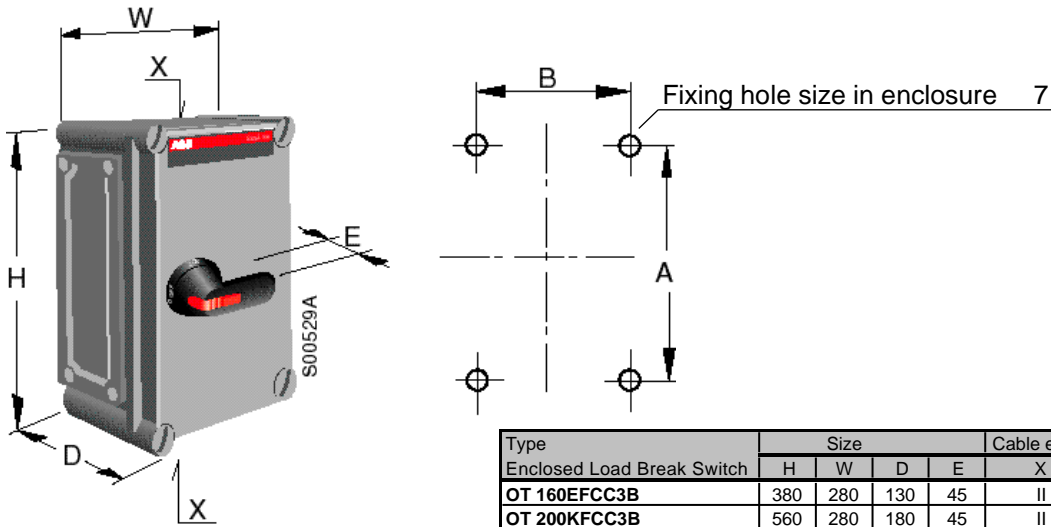
Type	E	W	H	D	A	B	G	X	Y
3-pole									
OTP 25...32_3M	33	130	150	60	115	136	5	2x 25+M16	2x 29+ 19
OTP 25...32_3P	33	130	150	60	115	136	5	2xPg21+Pg11	2x 29+ 19
OTP 45...63_3M	33	145	200	90	129.5	182.5	5	2x 32+M16	2x 38+ 19
OTP 45...63_3P	33	145	200	90	129.5	182.5	5	2xPg29+Pg11	2x 38+ 19
OTP 80...125_3B	33	200	400	140	176	376	6	I-flange	blanco
OTP 80...125_3U	33	200	400	140	176	376	6	blanco	blanco
4-pole									
OTP 16...32_4M	33	130	150	60	115	136	5	2x 25+M16	2x 29+ 19
OTP 25...32_4P	33	130	150	60	115	136	5	2xPg21+Pg11	2x 29+ 19
OTP 45...63_4M	33	145	200	90	129.5	182.5	5	2x 32+M16	2x 38+ 19
OTP 45...63_4P	33	145	200	90	129.5	182.5	5	2xPg29+Pg11	2x 38+ 19
OTP 80...125_4B	33	200	400	140	176	376	6	I-flange	blanco
OTP 80...125_4U	33	200	400	140	176	376	6	blanco	blanco
6-pole									
OTP 25...32_6M	33	130	150	60	115	136	5	2x 25+M16	2x 29+ 19
OTP 25...32_6P	33	130	150	60	115	136	5	2xPg21+Pg11	2x 29+ 19
OTP 45...63_6M	45	145	200	90	129.5	182.5	5	2x 32+M16	2x 38+ 19
OTP 45...63_6P	45	145	200	90	129.5	182.5	5	2xPg29+Pg11	2x 38+ 19
OTP 80...125_6B	45	200	400	140	176	376	6	I-flange	blanco
OTP 80...125_6U	45	200	400	140	176	376	6	blanco	blanco

SafeLine

Enclosed Load Break Switches

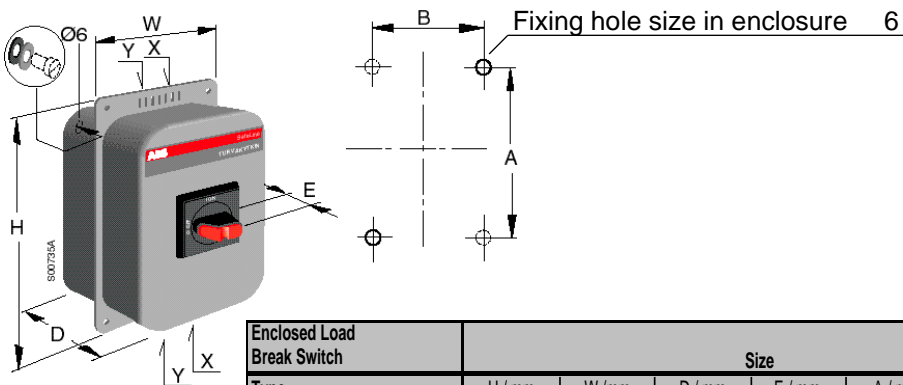
Dimension Drawings

Plastic enclosed load break switches



Type Enclosed Load Break Switch	Size				Cable entry X	Fixing dimensions	
	H	W	D	E		A	B
OT 160FCC3B	380	280	130	45	II	355	255
OT 200KFCC3B	560	280	180	45	II	535	255
OT 250KFCC3B	560	280	180	45	II	535	255
OT 315KFCC3B	560	380	180	45	II	535	355
OT 400DFCC3B	840	380	180	45	II	815	355
OT 630KFCC3B	840	380	180	45	II	815	355
OT 800KFCC3B	760	560	250	45	2xII	735	535

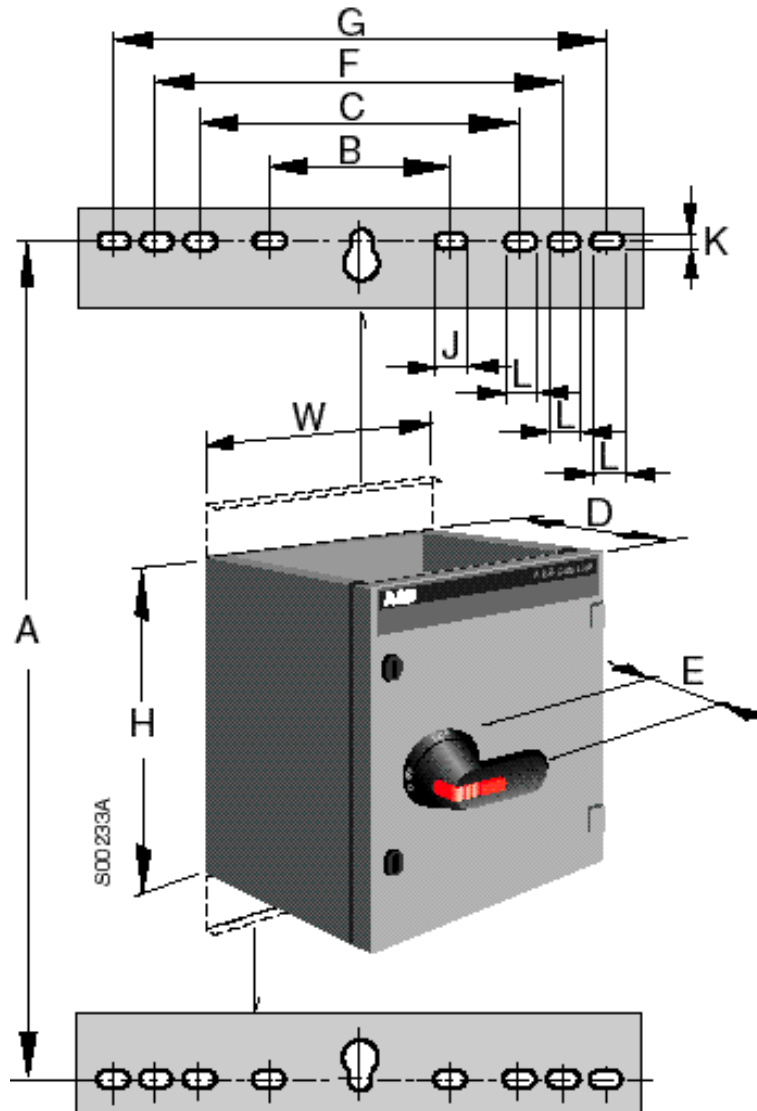
Metal enclosed load break switches



Type Enclosed Load Break Switch	Size						Cable entry / side X / Y
	H / mm	W / mm	D / mm	E / mm	A / mm	B / mm	
OT 16ELMM3B	240	162	110	34,5	144	92	2x 20+ 16
OT 25ELMM3B	240	162	110	34,5	144	92	2x 25+ 16
OT 32ELMM3B	240	162	110	34,5	144	92	2x 25+ 16
OT 45ELMM3B	240	162	110	34,5	144	92	2x 32+ 16
OT 63ELMM3B	240	162	110	34,5	144	92	2x 32+ 16
OT 16ELPP3B	240	162	110	34,5	144	92	2x 28,3+ 18,6
OT 25ELPP3B	240	162	110	34,5	144	92	2x 28,3+ 18,6
OT 32ELPP3B	240	162	110	34,5	144	92	2x 28,3+ 18,6
OT 45ELPP3B	240	162	110	34,5	144	92	2x 37+ 18,6
OT 63ELPP3B	240	162	110	34,5	144	92	2x 37+ 18,6
OT 80ELBB3B	350	233	140	34,5	250	160	Flange B
OT 125ELBB3B	350	233	140	34,5	250	160	Flange B
OT 16ELMM3C	350	233	140	45	250	160	2x 25+ 16
OT 25ELMM3C	350	233	140	45	250	160	2x 25+ 16
OT 32ELMM3C	350	233	140	45	250	160	2x 25+ 16
OT 45ELMM3C	350	233	140	45	250	160	2x 32+ 16
OT 63ELMM3C	350	233	140	45	250	160	2x 32+ 16
OT 16ELPP3C	350	233	140	45	250	160	2x 28,3+ 18,6
OT 25ELPP3C	350	233	140	45	250	160	2x 28,3+ 18,6
OT 32ELPP3C	350	233	140	45	250	160	2x 28,3+ 18,6
OT 45ELPP3C	350	233	140	45	250	160	2x 37+ 18,6
OT 63ELPP3C	350	233	140	45	250	160	2x 37+ 18,6

SafeLine Enclosed Load Break Switches Dimension Drawings

Metal enclosed load break switches



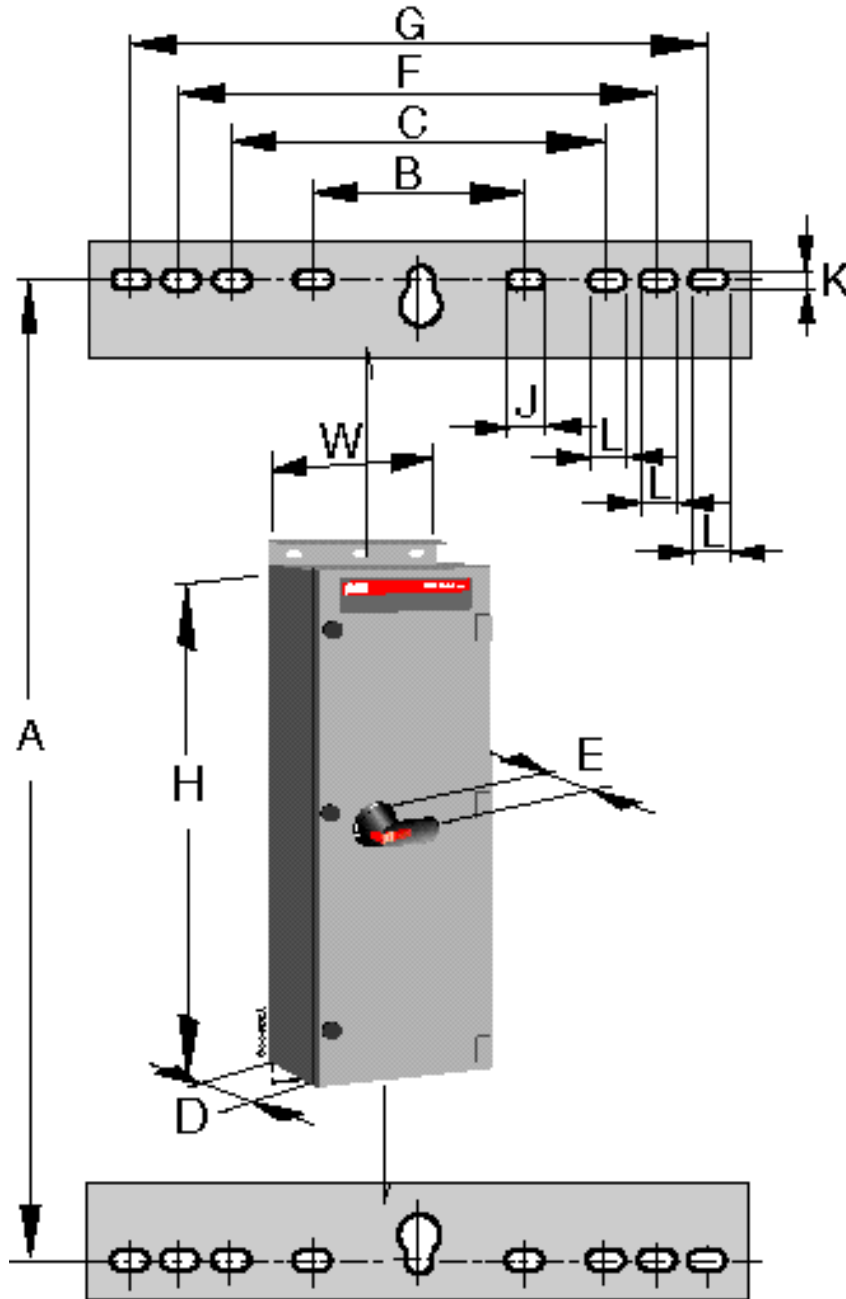
Type	Size				A	B	Fixing dimensions			Fixing hole		
	H	W	D	E			C	F	G	J	K	L
Enclosed Load Break Switch												
OT 125ALAA3B	400	250	180	45	450	162	-	-	-	27	11	-
OT 125DLAA3C	400	250	180	45	450	162	-	-	-	27	11	-
OT 160ELAA3B	600	250	180	45	450	162	-	-	-	35	11	-
OT 160ELAA3C	600	400	230	45	450	303	-	-	-	35	11	-
OT 200KLAA3B	600	400	230	45	650	303	-	-	-	35	11	-
OT 200KLAA3C	600	800	230	45	650	303	512	612	712	35	11	27
OT 250KLAA3B	600	400	230	45	650	303	-	-	-	35	11	-
OT 250KLAA3C	800	800	230	45	850	303	512	612	712	35	11	27
OT 315KLAA3B	600	400	230	45	650	303	-	-	-	35	11	-
OT 315KLAA3C	800	800	230	45	850	303	512	612	712	35	11	27
OT 400DLAA3B	800	400	230	45	850	303	-	-	-	35	11	-
OT 400DLAA3C	800	800	230	45	850	303	512	612	712	35	11	27
OT 630KLAA3B	1000	400	230	45	1050	303	-	-	-	35	11	-
OT 630KLAA3C	1000	800	230	45	1050	303	512	612	712	35	11	27
OT 800KLAA3B	1000	400	230	45	1050	303	-	-	-	35	11	-
OT 800KLAA3C	1000	800	230	45	1050	303	512	612	712	35	11	27
OT 1000KLAA3B	1200	800	230	45	1050	303	512	612	712	35	11	27
OT 1250KLAA3B	1200	800	330	45	1050	303	512	612	712	35	11	27
OT 1600KLAA3B	1200	800	330	45	1050	303	512	612	712	35	11	27

SafeLine

Enclosed Load Break Switches

Dimension Drawings

Metal enclosed load break switches



Type Enclosed Load Break Switch	Size				Fixing dimension					Fixing hole		
	H	W	D	E	A	B	C	F	G	J	K	L
OT 63DBUA3F-15/	800	400	230	45	850	303	-	-	-	35	-	11
OT 200KAUA3F-20/	1000	400	230	45	1050	303	-	-	-	35	-	11
OT 200KAUA3F-30/	1000	400	230	45	1050	303	-	-	-	35	-	11
OT 200KAUA3F-40/	1000	400	230	45	1050	303	-	-	-	35	-	11
OT 250KAUA3F-40/	1200	400	230	45	1250	303	-	-	-	35	-	11
OT 250KAUA3F-60/	1200	400	230	45	1250	303	-	-	-	35	-	11
OT 400DAUA3F-60/	1200	400	230	45	1250	303	-	-	-	35	-	11
OT 400DBUA3F-60/	1200	800	230	45	1250	303	512	612	712	35	27	11
OT 400DBUA3F-80/	1200	800	230	45	1250	303	512	612	712	35	27	11
OT 630KAUA3F-100/	1400	800	230	45	1450	303	512	612	712	35	27	11
OT 630KAUA3F-120/	1400	800	230	45	1450	303	512	612	712	35	27	11